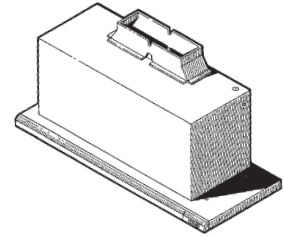


BROAN®

15000 SERIES RANGE HOOD



READ AND SAVE THESE INSTRUCTIONS

! INTENDED FOR DOMESTIC COOKING ONLY !

WARNING

TO REDUCE THE RISK OF FIRE, ELECTRIC SHOCK, OR INJURY TO PERSONS, OBSERVE THE FOLLOWING:

1. Use this unit only in the manner intended by the manufacturer. If you have questions, contact the manufacturer at the address or telephone number listed in the warranty.
2. Before servicing or cleaning unit, switch power off at service panel and lock the service disconnecting means to prevent power from being switched on accidentally. When the service disconnecting means cannot be locked, securely fasten a prominent warning device, such as a tag, to the service panel.
3. Installation work and electrical wiring must be done by a qualified person(s) in accordance with all applicable codes and standards, including fire-rated construction codes and standards.
4. Sufficient air is needed for proper combustion and exhausting of gases through the flue (chimney) of fuel burning equipment to prevent backdrafting. Follow the heating equipment manufacturer's guideline and safety standards such as those published by the National Fire Protection Association (NFPA), and the American Society for Heating, Refrigeration and Air Conditioning Engineers (ASHRAE), and the local code authorities.
5. When cutting or drilling into wall or ceiling, do not damage electrical wiring and other hidden utilities.
6. Ducted fans must always be vented to the outdoors.
7. Do not use this unit with an additional speed control device.
8. To reduce the risk of fire, use only metal ductwork.
9. Use with approved cord-connection kit only.
10. This unit must be grounded.

TO REDUCE THE RISK OF A RANGE TOP GREASE FIRE:

1. Never leave surface units unattended at high settings. Boilovers cause smoking and greasy spillovers that may ignite.
2. Always turn hood ON when cooking at high heat or when cooking flaming foods.
3. Clean ventilating fans frequently. Grease should not be allowed to accumulate on fan or filter.
4. Use proper pan size. Always use cookware appropriate for the size of the surface element.

WARNING

TO REDUCE THE RISK OF INJURY TO PERSONS IN THE EVENT OF A RANGE TOP GREASE FIRE, OBSERVE THE FOLLOWING:

1. **SMOTHER FLAMES** with a close-fitting lid, cookie sheet, or metal tray, turn off the burner. **BE CAREFUL TO PREVENT BURNS.** If the flames do not go out immediately, **EVACUATE AND CALL THE FIRE DEPARTMENT.**
2. **NEVER PICK UP A FLAMING PAN** - You may be burned.
3. **DO NOT USE WATER**, including wet dishcloths or towels - a violent stream explosion will result.
4. Use an extinguisher **ONLY** if:
 - A. You know you a Class ABC extinguisher and you already know how to operate it.
 - B. The fire is small and contained in the area where it started.
 - C. The fire department is being called.
 - D. You can fight the fire with your back to an exit.

*Based on "Kitchen Firesafety Tips" published by NFPA.

CAUTION

1. For indoor use only.
2. For general ventilating use only. Do not use to exhaust hazardous or explosive materials and vapors.
3. To avoid motor bearing damage and noisy/and or unbalanced impellers, keep drywall spray, construction dust, etc. off power unit.
4. When using a thermostat with this product, fan may start automatically. To reduce the risk of injury, switch power off at service panel and lock service panel to prevent power from being switch on accidentally.
5. Your hood motor has thermal overload which will automatically shut off the motor if it becomes overheated. The motor will restart when it cools down. If the motor continues to shut and restart, have the hood serviced.
6. Please read specification label on product for further information and requirements.

Register your product online at: www.broan.ca/register

PLAN THE INSTALLATION

Your new hood will fit a standard 30" wide, flush bottom or recessed bottom, framed or frameless kitchen cabinet, which has a minimum depth of 11" from face to inside of back wall.

The unit is ducted vertically. Horizontal ducting can be accomplished as shown.

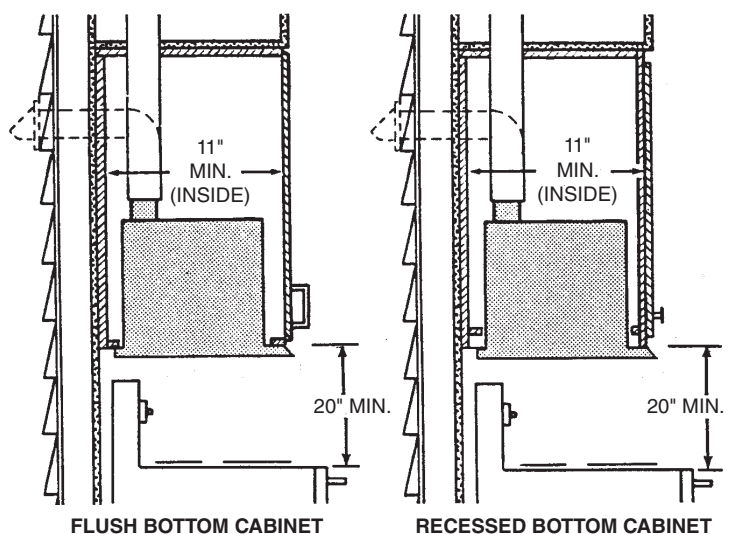
For safe operation, the mounted hood must be a minimum of 20" above the cooking surface.

For easiest installation, range hood should be installed in cabinet before mounting cabinet to wall.

NOTE: Remove glass drawer from unit before installing hood in cabinet to protect drawer from damage. See Step 13 on page 4.

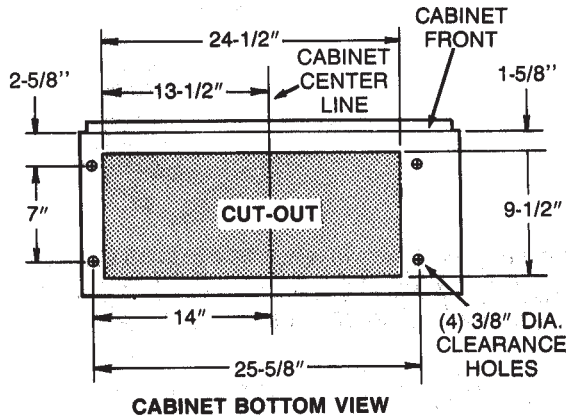
This hood can easily be installed by following these basic steps:

- Mark and cut out cabinet bottom.
- Secure hood to cabinet.
- Mount cabinet on wall.
- Connect ductwork and power cable.



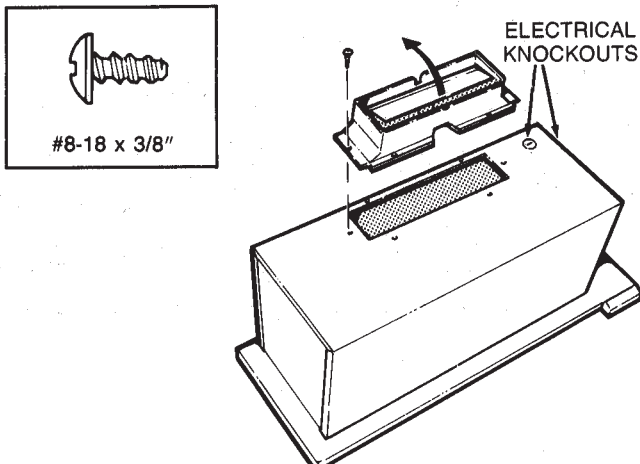
INSTALL THE HOOD

1. Mark and cut-out cabinet bottom.



Prepare the cabinet bottom as shown above. Be sure to locate the cut-out and four holes from the front of the cabinet to assure a flush mount.

2. Attach damper/duct connector.

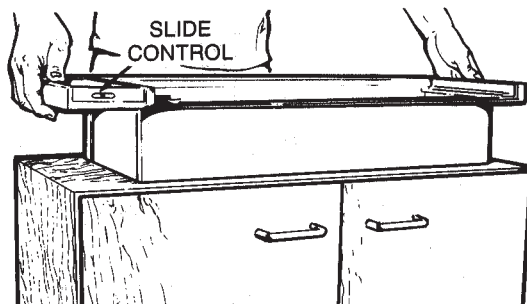


Use two (2) screws (provided) to attach connector to housing. Damper flap should open in direction indicated by arrow.

3. Remove electrical knockout.

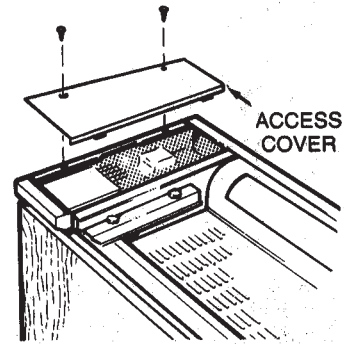
Choose either the top or side of housing for electrical cable entrance. Remove the appropriate knockout.

4. Set housing into opening.

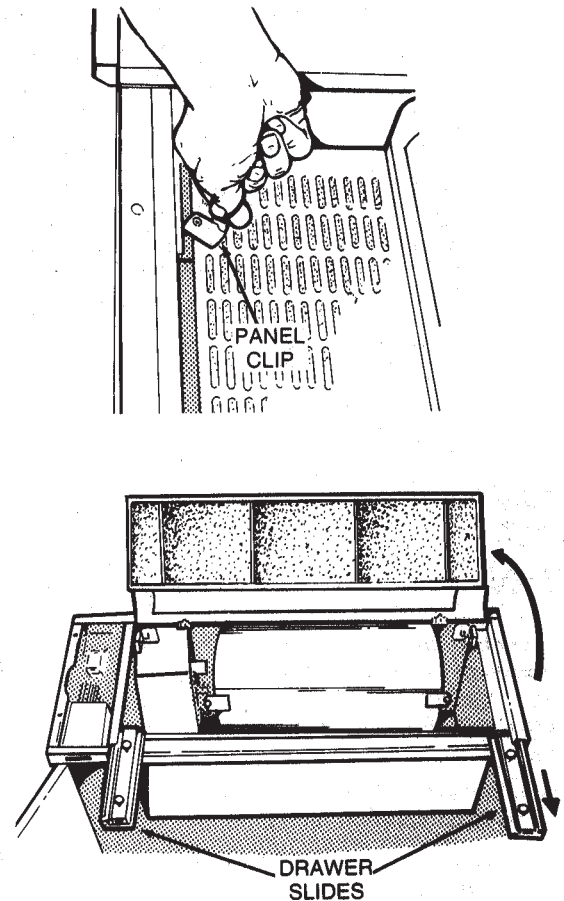


Carefully lower housing into cabinet opening with slide control to the front.

5. Remove access cover.

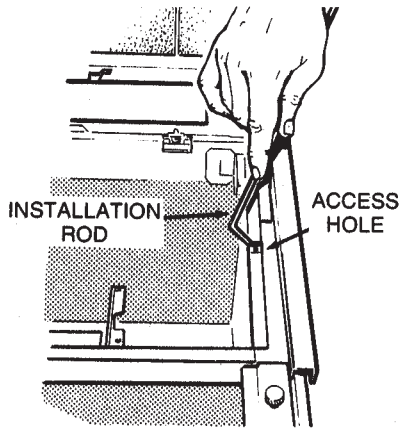


6. Open filter panel.

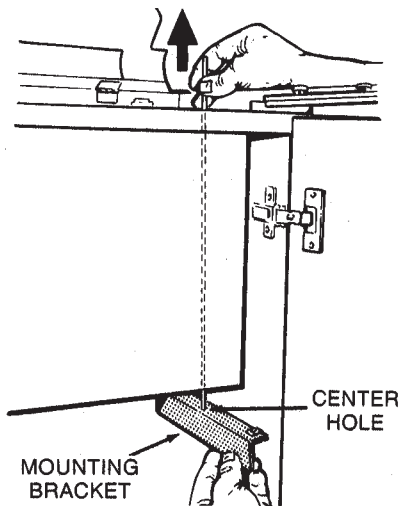


Pull drawer slides out. Rotate panel clips and swing panel open.

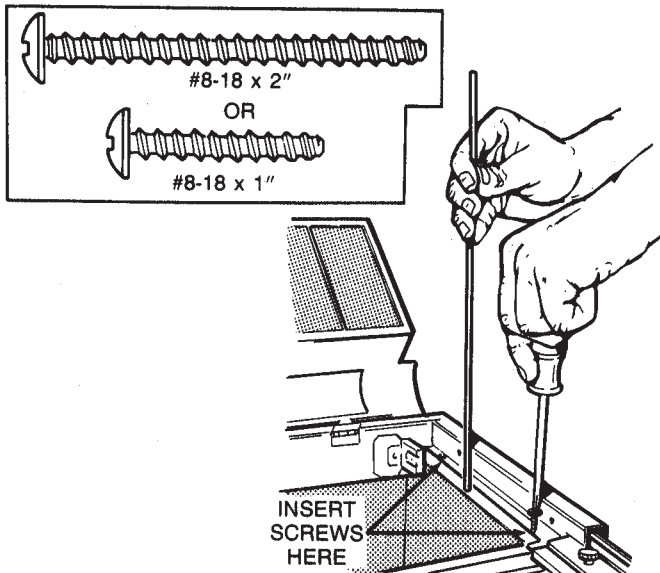
7. Install mounting brackets.



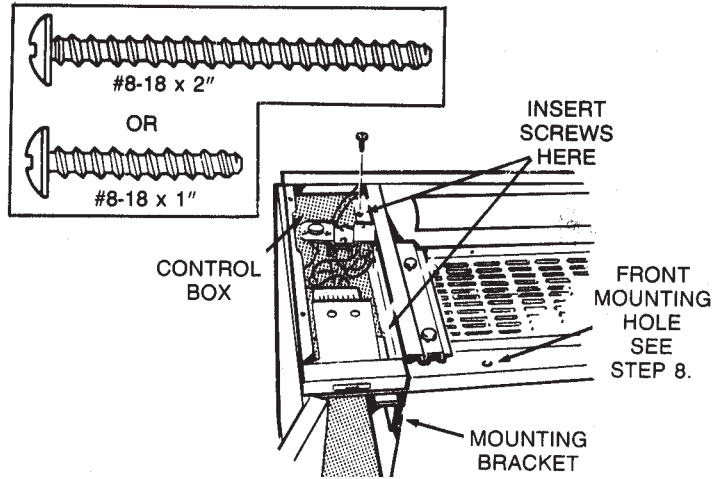
Insert bent end of installation rod into access hole in housing.



Choose the mounting bracket with the center hole. Hang the bracket from the rod, through this center hole, as shown. Pull bracket up between cabinet and housing.

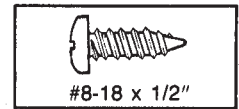


Hold mounting bracket in place with rod. Two sets of screws are provided. Use short screws for flush bottom cabinets or long screws for recessed bottom cabinets. Insert two (2) screws through housing and into mounting bracket. Do not tighten screws completely.



Insert two (2) screws, short or long as appropriate, through control box and into other mounting bracket. Do not tighten screws completely.

8. Secure hood to cabinet.



Align hood with sides and front edge of cabinet. Tighten screws in each mounting bracket. Place plastic caps (provided) over the ends of these screws from inside of cabinet.

Install two (2) additional screws into cabinet bottom, through holes along the front edge of hood (See Step 7 illustration.)

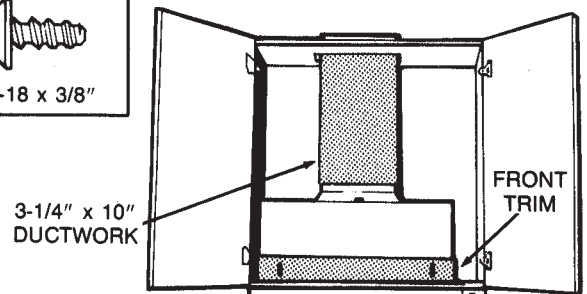
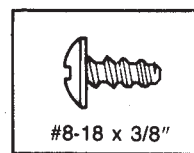
9. Replace access cover.

Secure access cover with two (2) screws removed in step 5.

10. Mount cabinet on wall.

Make sure cabinet is securely attached to the wall and/or adjoining cabinets. Mounted cabinet must be able to support the added weight of the hood.

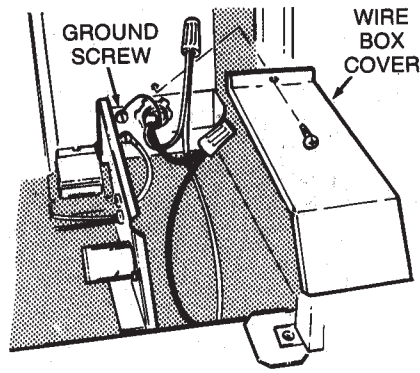
11. Attach ductwork and front trim.



Complete the ductwork from the hood, to the outside, using a roof cap or elbow and wall cap. Tape all joints. Shelves may be installed if trimmed to clear ductwork.

The front trim piece covers the gap between the housing and the front edge of cabinet cut-out. Mount front trim to housing with two (2) screws. (provided).

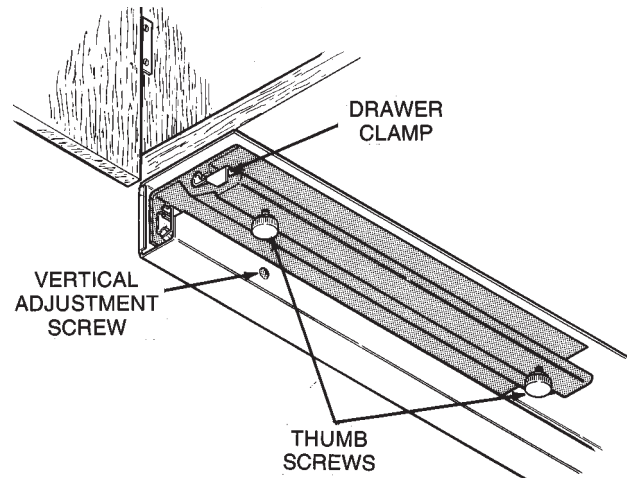
12. Connect electrical wiring.



Remove the wire box cover. Attach power cable to hood using proper connector. Connect black to back, white to white and green or bare wire to ground screw. Replace wire box cover.

CAUTION
DO NOT CONNECT POWER AT SERVICE ENTRANCE AT THIS TIME.

14. Fine adjustments to drawer trim position.



The drawer slides each have a screw for adjusting the height of the drawer trim, if necessary. The vertical adjustment screw allows the top and bottom edges of the drawer trim to be matched with the control trim.

15. Connect power at service entrance.

16. Check operation.

OPERATING INSTRUCTIONS

Always turn your hood on before you begin cooking to establish an air flow in the kitchen. Let the hood run for a few minutes to clean the air after you turn the range off. This will keep the whole kitchen cleaner and brighter.

Controls

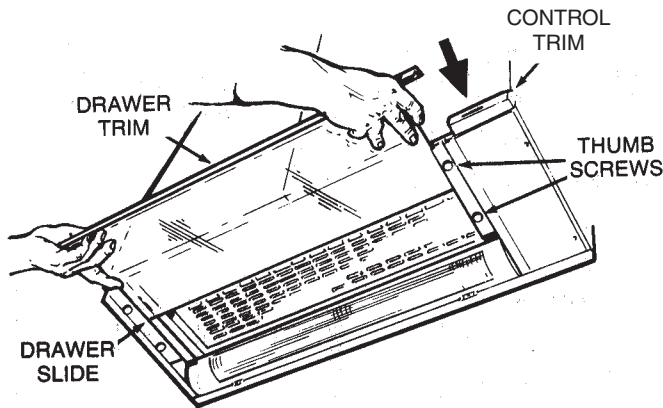
The hood is "OFF" when the drawer is pushed completely in.

LIGHT - The light will turn "ON" when the drawer is pulled and out approximately 1/2 inch.

BLOWER - The blower will turn "ON" when the drawer is pulled out approximately 1-1/2 inches.

The blower speed is set using the slide control, located to the right of the drawer.

13. Install glass drawer assembly.



Slide the glass into the drawer slides, above each drawer clamp (see illustration in Step 14). Align drawer trim and tighten thumb screws to secure drawer.

To remove glass drawer:

Simply loosen thumb screws and pull glass from drawer slides.

Cleaning

WARNING
ALWAYS DISCONNECT ELECTRIC POWER SUPPLY
BEFORE SERVICING HOOD.

Use a mild detergent suitable for painted surfaces. **DO NOT USE ABRASIVE CLOTH, STEEL WOOL PADS, OR SCOURING POWDERS.** Vacuum blower to clean. Do not immerse blower in water.

Wash the foam filter in a mild detergent solution

The glass drawer assembly and light lens are easily removable for cleaning:

See Step 13 on page 4 for removal of glass drawer assembly. **DO NOT** clean in a dishwasher.

Remove the light lens by opening the filter panel (Step 6, page 2) and rotating the 2 metal clips holding the lens in place.

Light Bulb Replacement

Your hood uses a 24" long F20T12 fluorescent tube and an FS-2 starter, which are available at most hardware stores or home centers.

To check or replace tube: 1). Pull drawer out. 2). Rotate filter panel clips and lower filter panel.

If the tube flickers or does not light, check the prongs on the ends of the tube to make sure that are properly seated in the tube holders.

If the tube continues to flicker or does not light, replace the tube. Slide the tube into the holders and rotate the tube so that the prongs in the holders grip the tube and hold it in place.

If the ends of the tube light but the center does not, the starter may require replacement. The starter is located behind the filter panel on the right hand side. Install the new starter by pushing the starter in and turning it clockwise.

If the tube still does not light, order a 99270651 Ballast Transformer available from your Broan distributor.

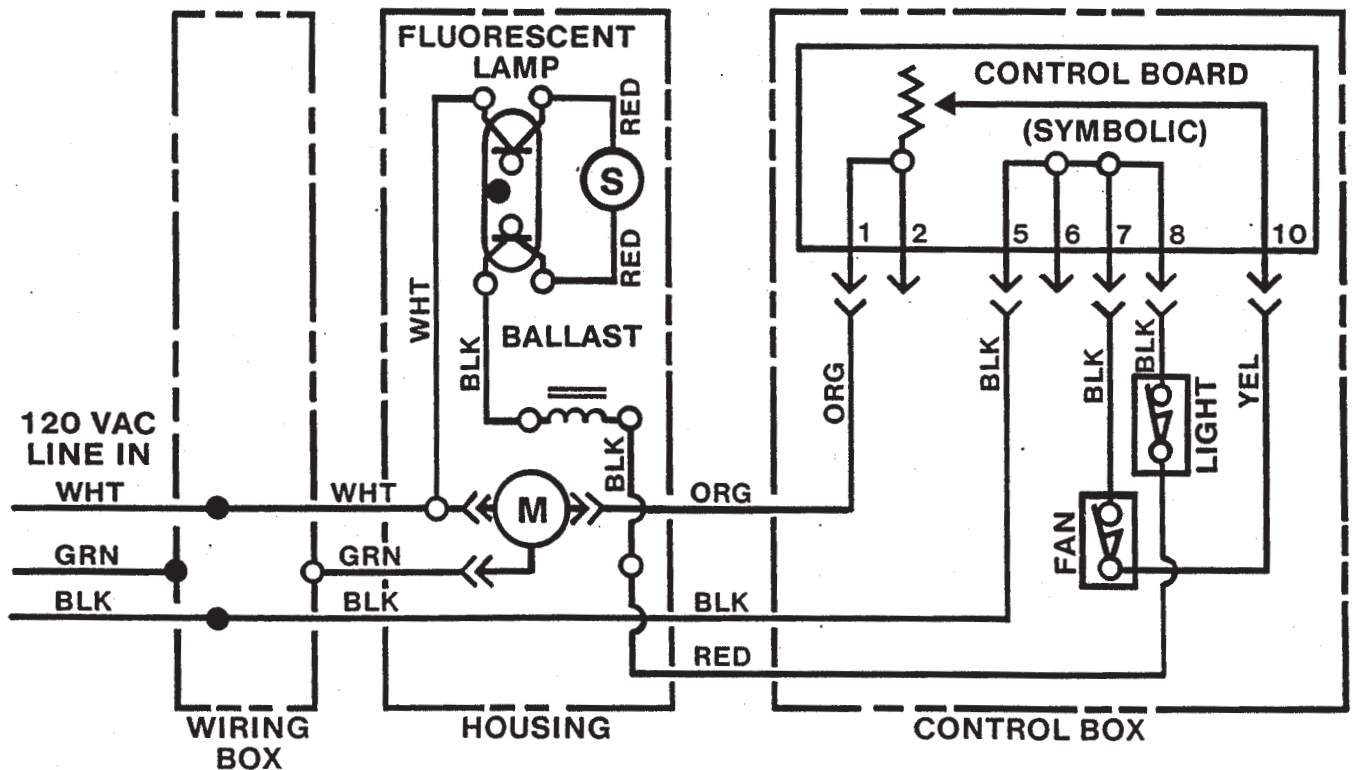
HOW TO AVOID A COMMON RANGE-TOP GREASE FIRE

Your range hood provides a protective barrier between the cooking surface and the cabinets. Keep fan, filters and grease laden surfaces. **CLEAN** according to instructions. Always turn hood **ON** when cooking at high heat to keep the cooking area clean and the hood cooler. Use high heat settings only when necessary. Never leave cooking surface unattended. Boil-over causes smoking and greasy spillovers that may ignite. Always use adequate-sized utensils. If preparing flaming foods, such as Cherries Jubilee, always turn hood **ON** to high to prevent a high heat situation which can cause damage or fire.

HOW TO EXTINGUISH A COMMON RANGE-TOP FIRE

Never pick up a flaming pan. If dropped, flames can spread quickly. **DO NOT USE WATER!** A violent steam explosion may result. Wet dishcloths or towels are also dangerous. Smother flames with a close fitting lid, cookie sheet or metal tray. Flaming grease can also be extinguished with baking soda or a multi-purpose dry chemical extinguisher. Turn off surface units - If you can do so without getting burned.

WIRING DIAGRAM





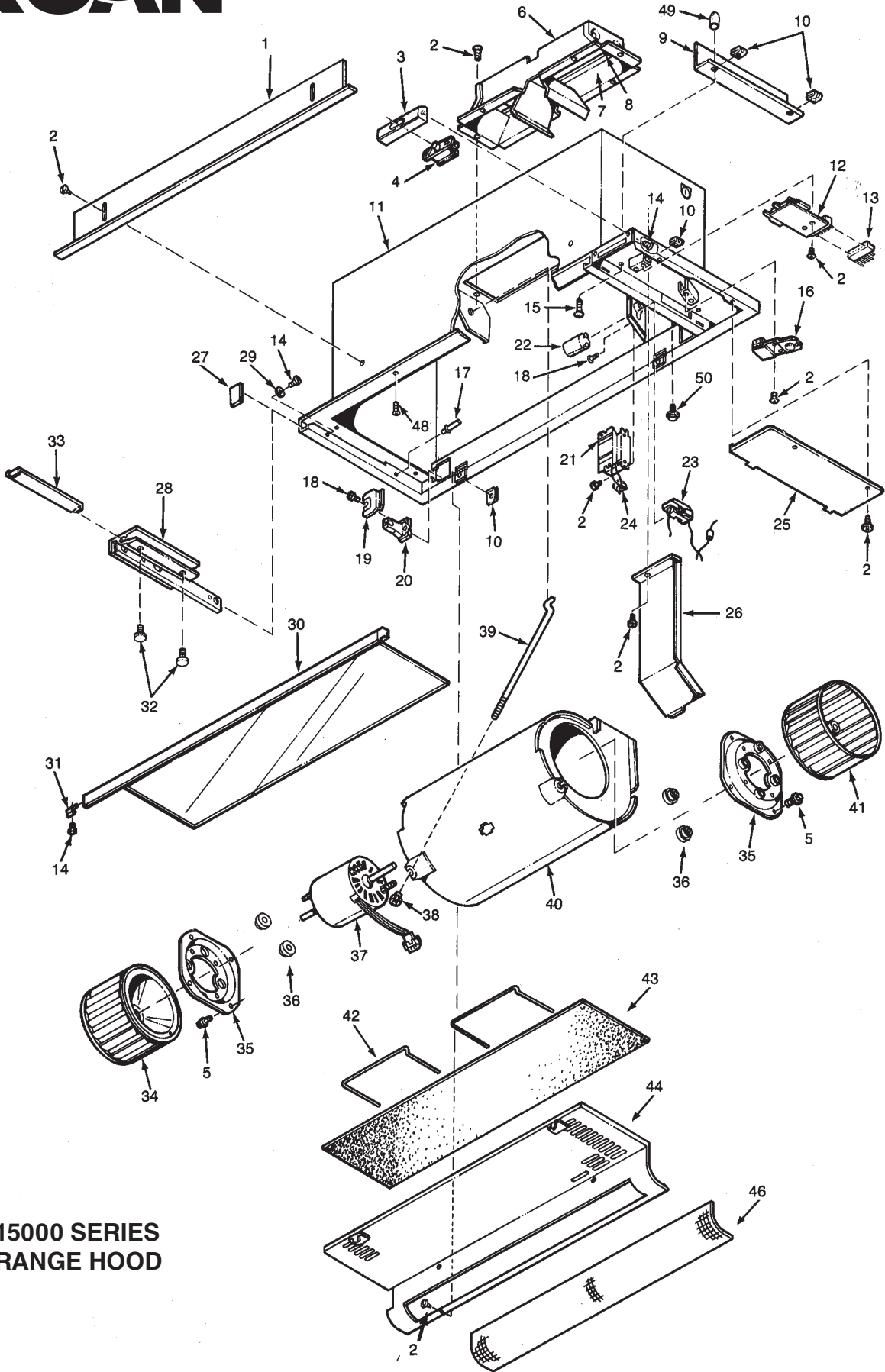
SERVICE PARTS

15000 SERIES RANGE HOOD

KEY NO.	BLACK PART NO.	WHITE PART NO.	STAINLESS PART NO.	DESCRIPTION
1	98010015	98010015	98010015	Front Trim
2	99150526	99150478	99150478	Screw #8-18 x 3/8 (14 Required)*
3	99090677	99090697	99091030	Control Trim
4	99360133	99360140	99360249	Control Knob
5	99170245	99170245	99170245	Screw #8-18 x 3/8 (8 Required)*
6	97006078	97006078	97006078	Damper Assembly (Includes Key Nos. 7 & 8)
7	98005221	98005221	98005221	Damper Flap
8	99100379	99100379	99100379	Damper Bushing
9	97015950	97015950	97015950	RH Mounting Bracket (Includes Key No. 10)
**	97015949	97015949	97015949	LH Mounting Bracket (Includes Key No. 10)
10	93260454	93260454	93260454	#8 Sheet Metal Nut "U" Type (11 Required)
12	97008578	97008578	97008578	Control Board
13	97008916	97008916	97008916	Control Harness
14	99160344	99160344	99160344	Screw #8-32 x 3/16 (5 Required)*
15	99150525	99150538	99150538	Screw #8-18 x 2 (4 Required)*
**	99150530	99150537	99150537	Screw #8-18 x 1 (4 Required)*
16	97009434	97009434	97009434	Blower Switch/Light Switch Assembly
17	99230345	99230342	99230342	Rivet (12 Required)
18	99160319	99160319	99160319	Screw #6-32 x 3/8 (4 Required)*
19	98005860	98005860	98005860	Lampholder Bracket (2 Required)
20	99270550	99270550	99270550	Lampholder (2 Required)
21	99270651	99270651	99270651	Ballast Transformer
22	99270553	99270553	99270553	Starter FS-2*
23	97015775	97015775	97015775	Light Harness
24	99400042	99400042	99400042	Strain Relief Bushing SR-4N-4 (2 Required)
25	98006937	98007164	98010173	Access Cover
26	98006938	98006938	98006938	Wire Box Cover
27	99100463	99100463	99100463	Drawer Stop (2 Required)
28	97008971	97008979	97016556	LH Drawer Bracket Assembly (Includes Key Nos. 32 & 33)
**	97009436	97009435	97016555	RH Drawer Bracket Assembly (Includes Key Nos. 32 & 33)
29	99250932	99250932	99250932	Washer (2 Required)*
30	97008929	97009054	97016559	Drawer Assembly (Includes Key Nos. 14 & 31)
31	99110683	99110699	-----	Drawer End Cap
32	99420602	99420603	99420602	Thumb Screw (4 Required)
33	98007155	98007155	98007155	Drawer Clamp (2 Required)
34	99020139	99020139	99020139	Blower Wheel, Counterclockwise
35	98005212	98005212	98005212	Motor Retaining Ring (2 Required)
36	99100491	99100491	99100491	Rubber Motor Mount (4 Required)
37	99080359	99080359	99080359	Motor
38	99260476	99260476	99260476	Blower Mounting Rod Nut (2 Required)
39	99420464	99420464	99420464	Blower Mounting Rod (2 Required)
40	97007314	97007314	97007314	Blower Scroll Housing
41	99020138	99020138	99020138	Blower Wheel, Clockwise
42	99140156	99140156	99140156	Filter Spring (2 Required)
43	99010175	99010175	99010175	Filter Foam
44	97011138	97011139	97016557	Filter Panel
46	99050018	99050018	99050018	Light Lens
48	99150492	99150492	99150492	Screw #8-18 x 1/2 (2 Required)*
49	99100408	99100464	99100408	Plastic Cap (4 Required)
50	99150471	99150471	99150471	Screw #10-32 x 1/2 Green (2 Required)
**	97008628	97008628	97008628	Green Wire Assembly
**	97005985	97005985	97005985	Complete Blower Assembly (Includes Key Nos. 5, 34, 35, 36, 37, 40, 41)
**				Fluorescent Light Tube F20T12* (Not Included)

*Standard Hardware. May be purchased locally.

**Not Illustrated.



**15000 SERIES
RANGE HOOD**

BROAN-NUTONE LLC ONE YEAR LIMITED WARRANTY

Broan-NuTone LLC warrants to the original consumer purchaser of its products that such products will be free from defects in materials or workmanship for a period of one year from the date of original purchase. THERE ARE NO OTHER WARRANTIES, EXPRESS OR IMPLIED, INCLUDING, BUT NOT LIMITED TO, IMPLIED WARRANTIES OF MERCHANTABILITY OR FITNESS FOR A PARTICULAR PURPOSE. During this one year period, Broan-NuTone LLC will, at its option, repair or replace, without charge, any product or part which is found to be defective under normal use and service.

THIS WARRANTY DOES NOT EXTEND TO FLUORESCENT LAMP STARTERS AND TUBES. This warranty does not cover (a) normal maintenance and service or (b) any products or parts which have been subject to misuse, negligence, accident, improper maintenance or repair (other than by Broan-NuTone LLC), faulty installation or installation contrary to recommended installation instructions. The duration of an implied warranty is limited to the one-year period as specified for the express warranty. Some states do not allow limitation on how long an implied warranty lasts, so the above limitation may not apply to you.

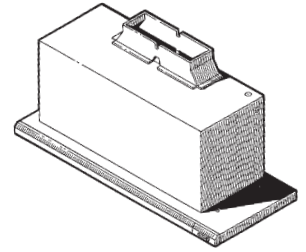
BROAN-NUTONE LLC'S OBLIGATION TO REPAIR OR REPLACE, AT BROAN-NUTONE LLC'S OPTION, SHALL BE THE PURCHASER'S SOLE AND EXCLUSIVE REMEDY UNDER THIS WARRANTY. BROAN-NUTONE LLC SHALL NOT BE LIABLE FOR INCIDENTAL, CONSEQUENTIAL OR SPECIAL DAMAGES ARISING OUT OF OR IN CONNECTION WITH PRODUCT USE OR PERFORMANCE. Some states do not allow the exclusion or limitation of incidental or consequential damages, so the above limitation may not apply to you. This warranty gives you specific legal rights, and you may also have other rights, which vary from state to state. This warranty supersedes all prior warranties.

To qualify for warranty service, you must (a) notify the appropriate company at the address or phone number stated below (b) give the model number and part identification and (c) describe the nature of any defect in the product or part. At the time of requesting warranty service, you must present evidence of the original purchase date.

Broan-NuTone LLC Hartford, Wisconsin www.broan.com 800-558-1711
Broan-NuTone Canada Mississauga, Ontario www.broan.ca 877-896-1119

BROAN®

HOTTE DE CUISINIÈRE SÉRIE 15000



LISEZ ET CONSERVEZ CES INSTRUCTIONS

! CONÇUE POUR LA CUISSON DOMESTIQUE SEULEMENT !

AVERTISSEMENT  

AFIN DE DIMINUER LES RISQUES D'INCENDIE, D'ÉLECTROCUTION OU DE BLESSURES, SUIVEZ CES DIRECTIVES :

1. Utilisez ce produit en suivant les recommandations du fabricant. Pour toute question, contactez le fabricant à l'adresse ou au numéro de téléphone indiqués dans la garantie.
2. Avant de réparer ou de nettoyer cette hotte, coupez le courant au panneau d'alimentation et verrouillez-en l'accès afin d'éviter que le courant ne soit accidentellement remis en fonction. S'il vous est impossible de le verrouiller, apposez un indicateur voyant sur le panneau comme, par exemple, une étiquette de couleur vive.
3. L'installation de la hotte ainsi que le câblage électrique doivent être effectués par une ou des personnes compétentes selon les normes et les règles en vigueur, incluant celles qui régissent la prévention des incendies.
4. Une circulation d'air efficace est requise afin d'assurer la combustion et l'évacuation complète des gaz par le tuyau d'évacuation (cheminée) des équipements à combustion et pour prévenir les retours d'air. Conformez-vous aux normes et mesures de sécurité pour les fabricants d'appareils de chauffage publiées par la *National Fire Protection Association (NFPA)* et par l'*American Society for Heating, Refrigeration and Air Conditioning Engineers (ASHRAE)*, ainsi qu'aux normes en vigueur dans votre région.
5. Lorsque vous coupez ou percez un mur ou un plafond, prenez garde d'endommager les fils électriques ou autres installations qui pourraient y être dissimulés.
6. Ne pas utiliser cet appareil avec une autre commande de vitesse.
7. Les installations avec conduits doivent toujours rejeter l'air à l'extérieur.
8. Afin de diminuer les risques d'incendie, n'utilisez que des conduits de métal.
9. Cette hotte ne doit être utilisée qu'avec un ensemble de cordon d'alimentation approuvé.
10. Cet appareil doit être relié à une mise à la terre.

AFIN DE RÉDUIRE LES RISQUES DE FEU DE CUISINIÈRE :

1. Ne jamais laisser les appareils de cuisson sans surveillance lorsqu'ils sont réglés à feu vif. Les débordements engendrent de la fumée et des déversements graisseux pouvant s'enflammer. Chauffer les huiles lentement, à feu doux ou moyen.
2. Toujours mettre en marche la hotte lorsque vous cuisinez à feu vif ou que vous cuisinez des mets flambés.
3. Nettoyer régulièrement les roues du ventilateur. On ne doit tolérer aucune accumulation de graisse sur le ventilateur ou sur le filtre.
4. Utiliser le bon format de casserole. Servez-vous toujours de casseroles et d'ustensiles appropriés à la dimension de la surface chauffante.

PLANIFIER L'INSTALLATION

Votre nouvelle hotte conviendra à une armoire de cuisine standard de 30 po de largeur, à base lisse ou en retrait, d'une profondeur minimale de 11 po à partir de l'avant vers le mur arrière intérieur.

Les conduits de cet appareil sont verticaux. La pose de conduits horizontaux peut être effectuée telle qu'illustrée.

Pour un fonctionnement sécuritaire, la hotte doit être installée à un minimum de 20 po au-dessus de la surface de cuisson.

Pour faciliter l'installation, la hotte de cuisinière doit être installée dans l'armoire avant de monter celle-ci sur le mur.

NOTE : Démonter le tiroir de verre de l'ensemble avant d'installer la hotte dans l'armoire pour éviter de l'endommager. Voir l'étape 13, en page 12.

Cette hotte peut facilement être installée en suivant les étapes de base suivantes :

- Marquer et découper la base de l'armoire.
- Assembler la hotte à l'armoire.
- Monter l'armoire au mur.
- Relier les conduits et brancher le fil d'alimentation électrique.

AVERTISSEMENT  

AFIN DE DIMINUER LES RISQUES DE BLESSURES POUVANT SURVENIR LORSQU'UN FEU SE DÉCLENCHE SUR LA SURFACE DE CUISSON, SUIVEZ CES DIRECTIVES :

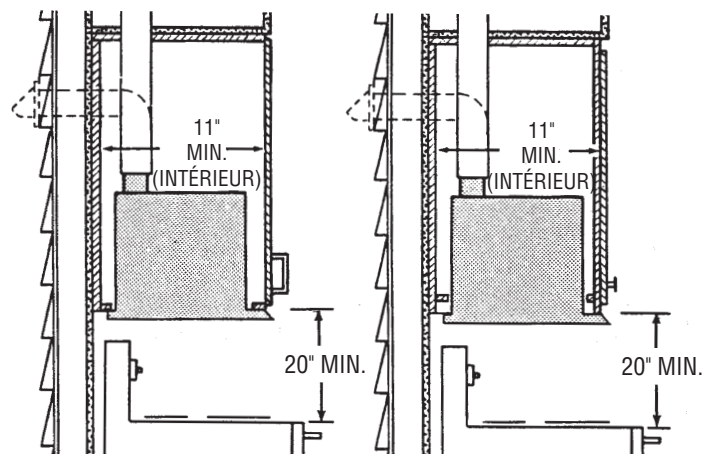
1. **ÉTOUFFEZ LES FLAMMES** avec un couvercle hermétique, une tôle à biscuits ou un plateau en métal puis éteignez la cuisinière. **PRENEZ GARDE AUX BRÛLURES.** Si vous ne parvenez pas à éteindre immédiatement les flammes, **ÉVACUEZ LES LIEUX ET APPELEZ LES POMPIERS.**
2. **NE VOUS EMPAREZ JAMAIS D'UN PLAT QUI S'EST ENFLAMMÉ** – Vous risqueriez de vous brûler.
3. **N'UTILISEZ JAMAIS D'EAU**, incluant les linges à vaisselles ou serviettes mouillées car cela peut provoquer une violente explosion de vapeur.
4. Utilisez un extincteur **SEULEMENT** si :
 - A. Il s'agit d'un extincteur de classe ABC et que vous savez comment vous en servir.
 - B. Il s'agit d'un petit feu qui ne se propage pas ailleurs que sur la cuisinière.
 - C. Vous avez appelé les pompiers.
 - D. Vous pouvez combattre le feu tout en ayant accès à une sortie.

* Basé sur le *Kitchen Fire Safety Tips* édité par la NFPA.

ATTENTION 

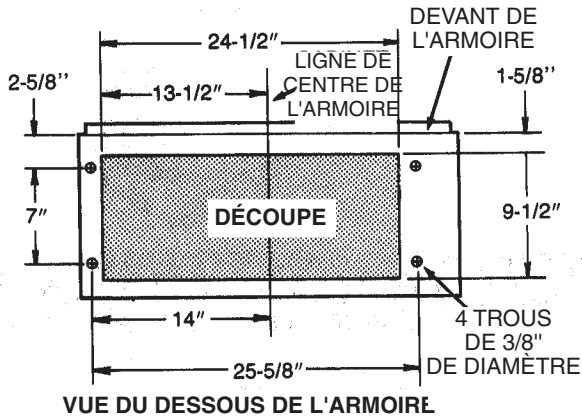
1. Pour l'usage d'intérieur seulement.
2. Pour usage domestique seulement. Ne pas utiliser pour évacuer des matières ou des vapeurs dangereuses ou explosives.
3. Afin d'éviter d'endommager le mécanisme du moteur et de débalancer et/ou de rendre bruyant le fonctionnement des roues, protégez l'appareil des poussières de placoplâtre et de construction.
4. Cet appareil est muni d'un thermostat pouvant faire démarrer le ventilateur automatiquement. Afin de réduire le risque de blessures, coupez le courant au panneau électrique et verrouillez-le ou apposez un avertissement sur le panneau de service pour éviter que la hotte ne démarre accidentellement.
5. Le moteur de votre hotte est muni d'une protection thermique qui arrêtera automatiquement le moteur s'il devient surchauffé. Le moteur démarrera de nouveau une fois refroidi. Dans le cas où le moteur continue à arrêter et à se remettre en marche, faites-le vérifier.
6. Veuillez lire l'étiquette de spécifications sur le produit pour d'autres renseignements et exigences.

Registre su producto en línea en : www.fr.broan.ca/register



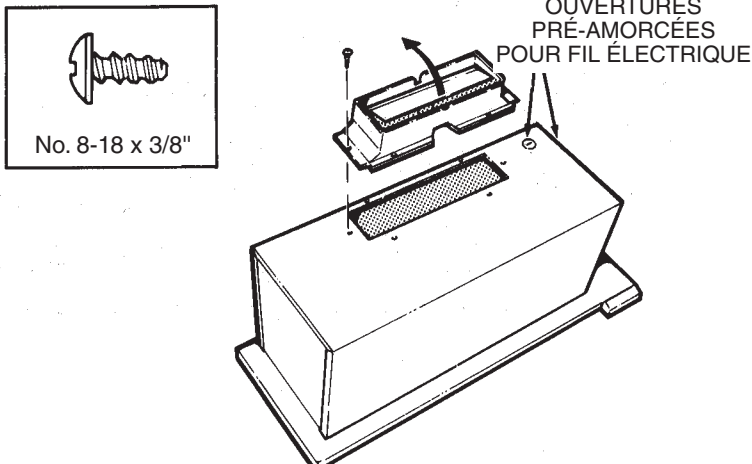
INSTALLER LA HOTTE

1. Marquer et découper la base de l'armoire.



Préparer le dessous de l'armoire tel qu'illustré ci-dessus. S'assurer de localiser la découpe et les quatre trous à partir de l'avant de l'armoire afin que le montage arrive juste au bord de l'armoire.

2. Assembler l'adaptateur/volet.

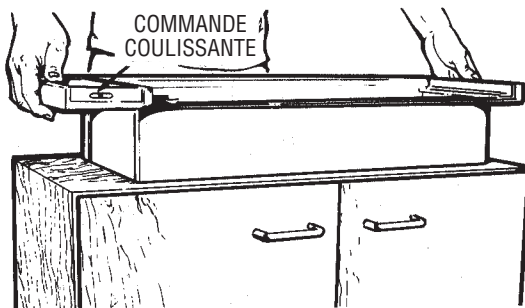


Utilisez les deux (2) vis (fournies) pour assembler l'adaptateur/volet au caisson. Le volet de l'adaptateur doit ouvrir dans la direction indiquée par la flèche.

3. Défoncer l'ouverture pré-amorcée pour le fil électrique.

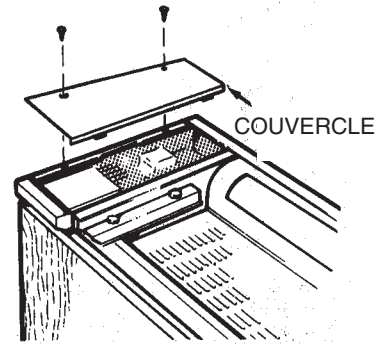
Choisir soit le dessus ou le côté du caisson pour l'entrée du câble d'alimentation électrique. Enlever l'ouverture pré-amorcée correspondante.

4. Glisser le caisson dans l'ouverture.

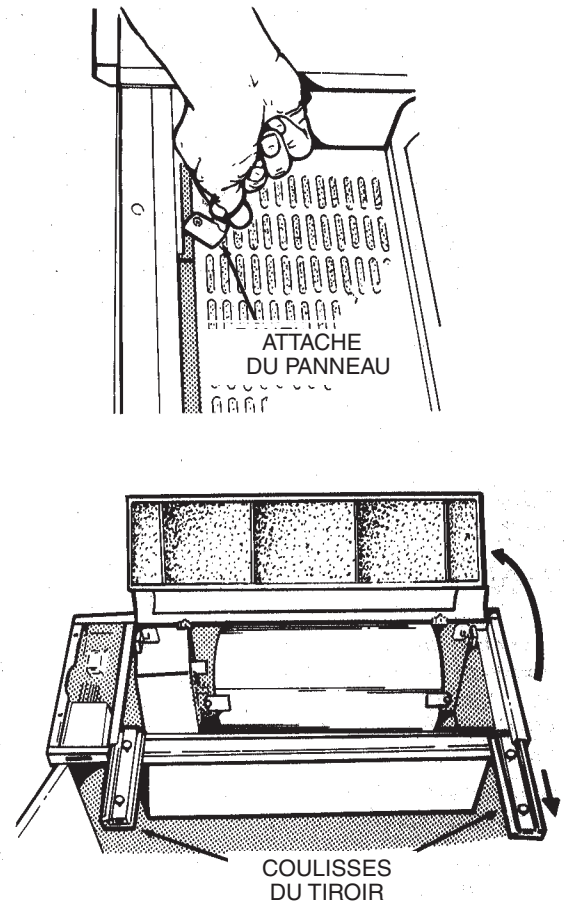


Descendre le caisson avec soin dans l'ouverture de l'armoire. La commande coulissante doit se trouver à l'avant.

5. Enlever le couvercle.

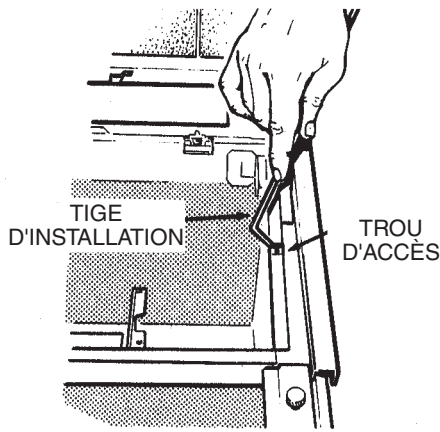


6. Ouvrir le panneau du filtre.

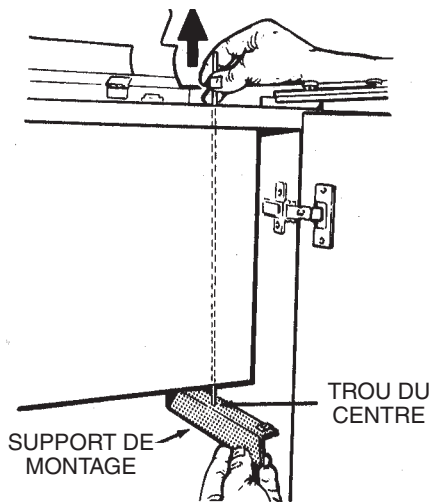


Sortir les coulisses du tiroir. Tourner les attaches du panneau et ouvrir le panneau.

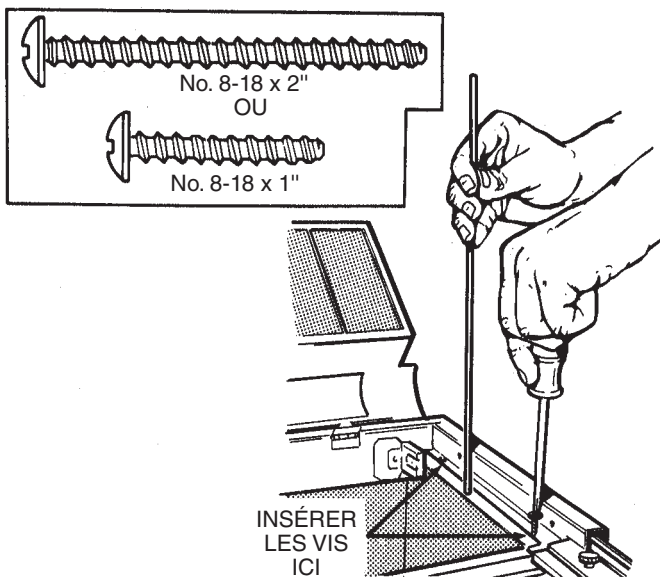
7. Installer les supports de montage.



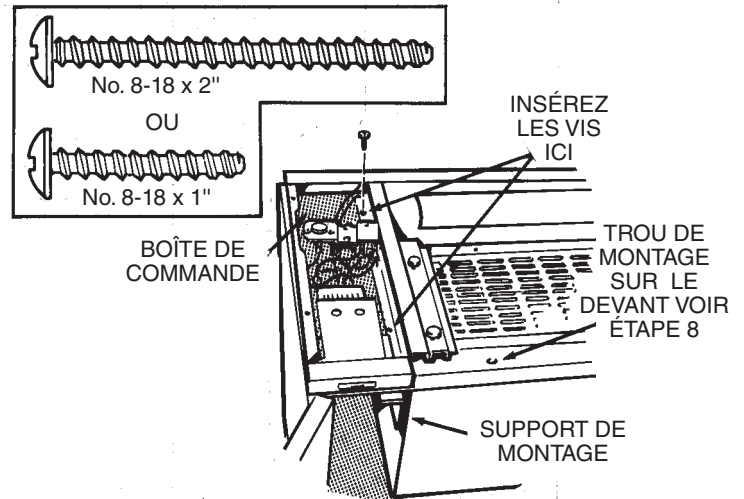
Insérer l'extrémité courbée de la tige d'installation dans le trou d'accès du caisson.



Choisir le support de montage avec le trou du centre. Suspendre le support par la tige, par le trou du centre, tel qu'illustré. Tirer le support vers le haut entre l'armoire et le caisson.

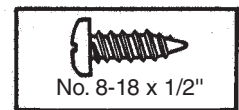


Tenir le support de montage en place avec la tige. Deux ensembles de vis sont fournis. Utiliser les vis courtes pour les armoires à base lisse ou les vis longues pour les armoires à base en retrait. Insérez deux (2) vis à travers le caisson et dans le support de montage. Ne pas serrer complètement les vis.



Insérer deux (2) vis, courtes ou longues, telles qu'appropriées, à travers la boîte de commande et dans l'autre support de montage. Ne pas serrer complètement les vis.

8. Assembler la hotte à l'armoire.



Aligner la hotte avec les côtés et le bord avant de l'armoire. Serrer les vis dans chaque support de montage. Installer les capuchons en plastique (fournis) sur les bouts de ces vis à partir de l'intérieur du cabinet.

Installer deux (2) autres vis dans le fond de l'armoire, à travers les trous le long du bord avant de la hotte. (Voir l'ill. de l'étape 7)

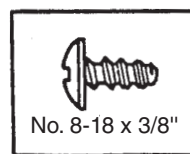
9. Remettre le couvercle.

Fixer le couvercle avec les deux (2) vis retirées à l'étape 5.

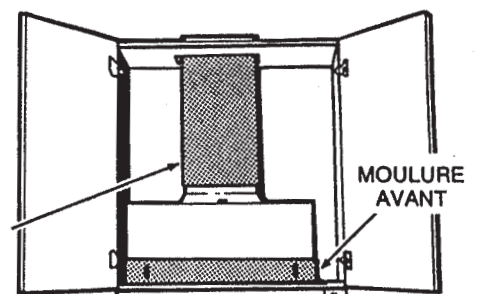
10. Monter l'armoire sur le mur.

S'assurer que l'armoire est bien fixée au mur et / ou aux armoires adjacentes. Une fois montée, l'armoire doit pouvoir supporter le poids supplémentaire de la hotte.

11. Relier les conduits et fixer la moulure avant.



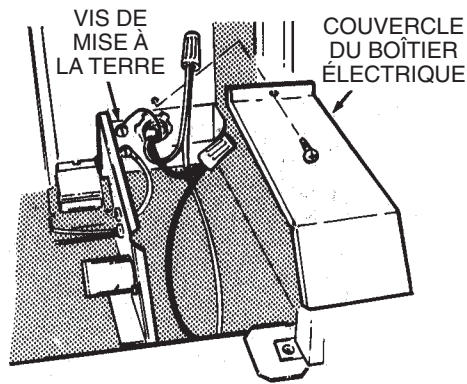
CONDUITS
3-1/4" x 10"



Finir l'installation des conduits à partir de la hotte jusqu'à l'extérieur, en utilisant un capuchon de toit ou un coude et un capuchon de mur. Sceller tous les joints avec du ruban adhésif en toile. Des tablettes peuvent être installées si elles sont découpées de façon à ne pas toucher aux conduits.

La moulure avant couvre l'espace entre le caisson et le bord avant de la découpe. Assembler la moulure au caisson avec deux (2) vis (fournies).

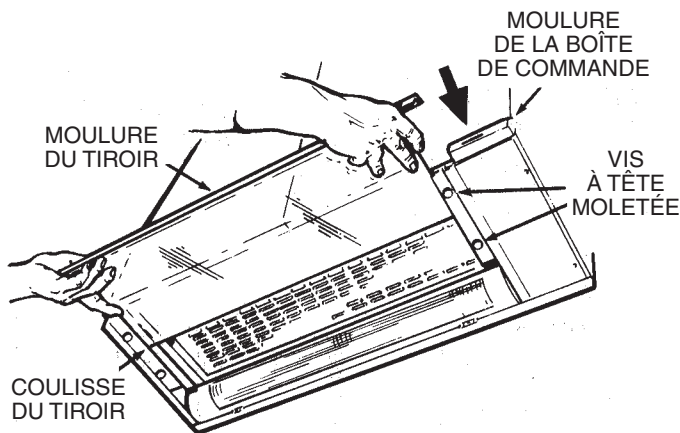
12. Connecter le fil d'alimentation électrique.



Enlever le couvercle du boîtier électrique. Fixer le fil d'alimentation électrique à la hotte en utilisant le connecteur approprié. Connecter le fil noir au fil noir, le fil blanc au blanc et le fil vert ou dénudé à la vis de mise à la terre. Réinstaller le couvercle du boîtier électrique.

ATTENTION
NE PAS RÉTABLIR TOUT DE SUITE LE COURANT À L'ENTRÉE DE SERVICE.

13. Installer le tiroir de verre.

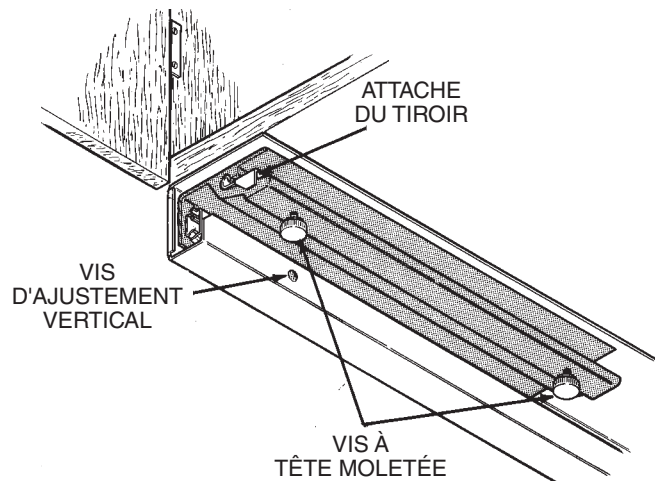


Glisser la plaque de verre dans les coulisses de tiroir, en passant par-dessus toutes les attaches (voir l'illustration de l'étape 14). Aligner la mouleure du tiroir et serrer les vis à tête moletée pour fixer le tiroir.

Pour démonter le tiroir de verre :

Desserrer les vis à tête moletée et retirer la plaque de verre des coulisses.

14. Réglage de précision de la mouleure du tiroir.



Chaque coulisse de tiroir est munie d'une vis pour le réglage éventuel de la hauteur de la mouleure du tiroir. La vis de réglage vertical permet d'ajuster la mouleure du tiroir à la même hauteur que la mouleure de la boîte de commande.

15. Rétablir le courant à l'entrée de service.

16. Vérifier le fonctionnement.

MODES DE FONCTIONNEMENT

Toujours faire fonctionner la hotte avant de commencer la cuisson pour établir une circulation d'air dans la cuisine. Laisser la hotte fonctionner pendant quelques minutes pour nettoyer l'air après avoir terminé la cuisson d'aliments; la cuisine demeurera ainsi plus propre et brillante.

Commandes

La hotte est "ARRÊTÉE" lorsque le tiroir est poussé jusqu'au fond.

ÉCLAIRAGE - La lampe "S'ALLUME" lorsque le tiroir est ouvert d'environ 1/2 pouce.

VENTILATEUR - Le ventilateur "FONCTIONNE" lorsque le tiroir est ouvert d'environ 1-1/2 pouce.

La vitesse du ventilateur est réglée en utilisant le contrôle coulissant, qui se trouve à la droite du tiroir.

Entretien

AVERTISSEMENT
TOUJOURS COUPER L'ALIMENTATION ÉLECTRIQUE
AVANT D'EFFECTUER L'ENTRETIEN DE LA HOTTE.

Utilisez un détergent doux convenant aux surfaces peintes. N'UTILISEZ PAS DE CHIFFONS ABRASIFS, TAMPONS EN LAINE D'ACIER OU POUDRES À RÉCURER. Nettoyez le ventilateur à l'aspirateur. N'immergez pas le ventilateur dans l'eau.

Lavez le filtre en mousse dans une solution de détergent doux.

Le tiroir de verre et le couvercle en verre de la lampe sont facilement démontables pour le nettoyage.

Voir étape 13, page 12 pour les instructions relatives au démontage du tiroir de verre. NE PAS le nettoyer au lave-vaisselle.

Pour démonter le couvercle en verre de la lampe, ouvrir le panneau du filtre (étape 6, page 10) et tourner les 2 attaches de fixation métalliques retenant le couvercle en verre.

Remplacement du tube fluorescent

Votre hotte requiert un tube fluorescent F20T12 de 24 po (61 cm) et un démarreur FS-2 qui peuvent être achetés dans la plupart des quincailleries ou centres de rénovation.

Pour examiner ou remplacer le tube: 1) Ouvrir le tiroir. 2) Faire pivoter les attaches du panneau du filtre et abaisser le panneau du filtre.

Si le tube clignote ou ne s'allume pas, vérifier les branches aux extrémités du tube pour assurer qu'elles sont proprement assises dans le porte-tube.

S'il continue à clignoter ou à ne pas s'allumer, le remplacer. Faire glisser le tube dans le porte-tube et le tourner de façon à ce que les branches dans les porte-tubes agrippent le tube et le retiennent en place.

Si les extrémités du tube s'allument tandis que le centre ne s'allume pas, il faudra peut-être remplacer le démarreur. Le démarreur se

situe derrière la panneau du filtre, côté droit. Monter le démarreur neuf en l'enfonçant et en le tournant dans le sens des aiguilles d'une montre.

Si le tube ne s'allume pas, commandez un transformateur à régulateur de puissance 99270651 disponible chez votre distributeur Broan.

COMMENT ÉVITER UN FEU DE CUISINIÈRE

Votre hotte dresse une barrière de protection entre la surface de cuisson de vos aliments et les armoires de votre cuisine. Veillez à maintenir le ventilateur, les filtres et les surfaces réceptrices de matières grasses PROPRES, conformément aux instructions fournies.

Allumez toujours votre hotte lorsque vous cuisinez à température élevée, de façon à maintenir la zone de cuisson propre et la hotte relativement froide.

N'utilisez les réglages de température élevée que lorsqu'ils sont absolument nécessaires.

Surveillez toujours la surface de cuisson. Les débordements engendrent de la fumée et les débordements gras risquent de s'enflammer.

Utilisez toujours des casseroles de format approprié.

Si vous préparez des mets flambés, des cerises jubilé, par exemple, réglez toujours votre hotte en haute vitesse afin d'éviter qu'une trop grande chaleur puisse causer des dommages ou un incendie.

COMMENT ÉTEINDRE UN FEU DE CUISINIÈRE

Ne saisissez jamais une casserole en feu. Si vous la laissez tomber, les flammes se répandront rapidement.

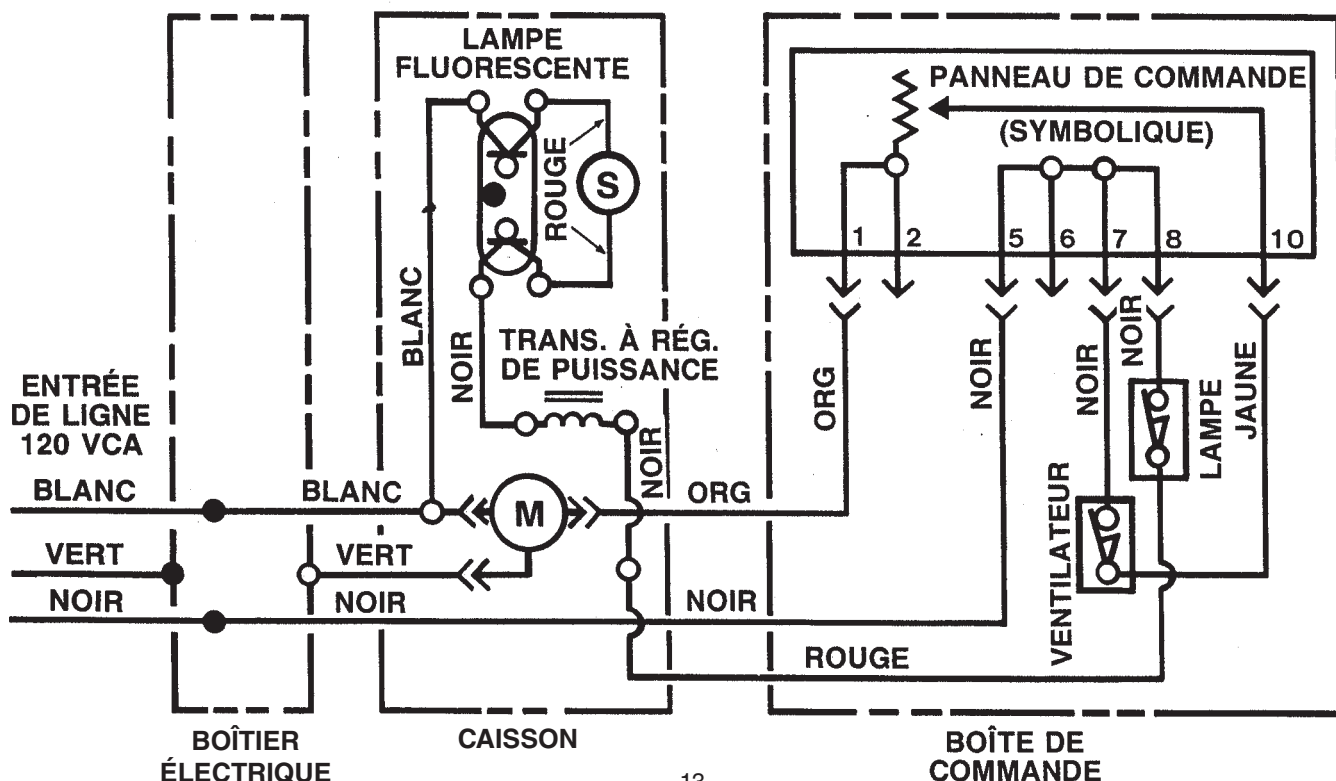
N'UTILISEZ PAS D'EAU! Vous provoqueriez une violente exposition de vapeur. Les serviettes ou torchons humides sont également dangereux.

Éteignez les flammes à l'aide d'un couvercle hermétique, d'une plaque à biscuits ou d'un plateau métallique.

Les feux de matières grasses peuvent également être éteints à l'aide de bicarbonate de soude ou d'un extincteur polyvalent à base de poudre chimique.

Éteignez les surfaces chauffantes - si vous pouvez le faire sans danger de brûlure.

SCHÉMA ÉLECTRIQUE

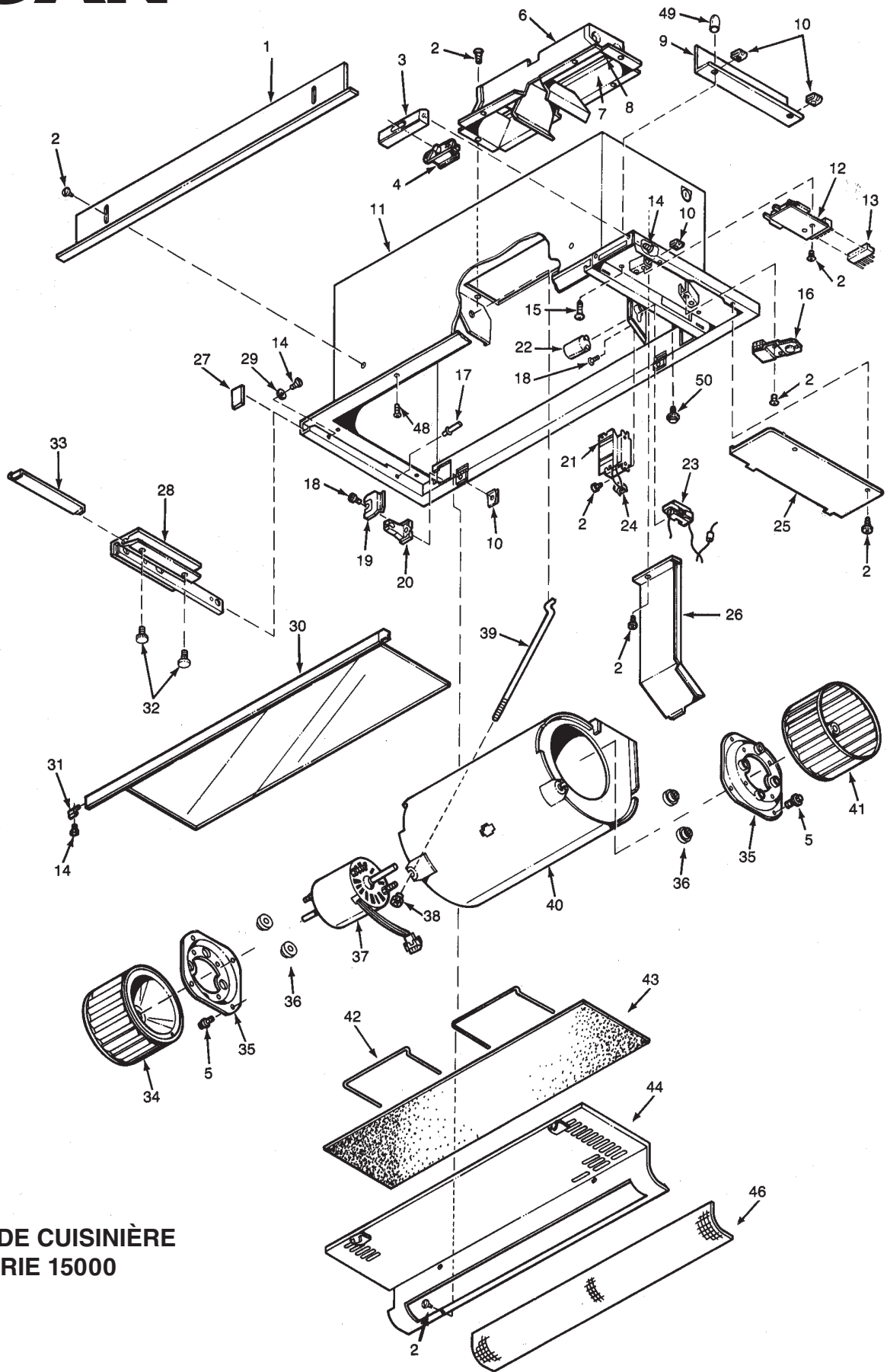


PIÈCES DE RECHANGE HOTTE DE CUISINIÈRE SÉRIE 15000

NO. DE REP.	NO. DE PIÈCE (NOIRE)	NO. DE PIÈCE (BLANCHE)	NO. DE PIÈCE (INOXYDABLE)	DESCRIPTION
1	98010015	98010015	98010015	Moulure avant
2	99150526	99150478	99150478	Vis no. 8-18 x 3/8 po (14 requises)*
3	99090677	99090697	99091030	Moulure de boîte de commande
4	99360133	99360140	99360249	Bouton de commande
5	99170245	99170245	99170245	Vis no. 8-18 x 3/8 po(8 requises)*
6	97006078	97006078	97006078	Adaptateur/volet (Nos. 7 et 8 inclus)
7	98005221	98005221	98005221	Volet de l'adaptateur
8	99100379	99100379	99100379	Coussinet de l'adaptateur
9	97015950	97015950	97015950	Support de montage droit (No. 10 inclus)
**	97015949	97015949	97015949	Support de montage gauche (No. 10 inclus)
10	93260454	93260454	93260454	Écrou à pince de type "U" no. 8 (11 requis)
12	97008578	97008578	97008578	Carte de commande
13	97008916	97008916	97008916	Harnais de commande
14	99160344	99160344	99160344	Vis no. 8-32 x 3/16 po (5 requises)*
15	99150525	99150538	99150538	Vis no. 8-18 x 2 po (4 requises)*
**	99150530	99150537	99150537	Vis no. 8-18 x 1 po (4 requises)*
16	97009434	97009434	97009434	Ensemble interrupteur ventilateur/interrupteur éclairage
17	99230345	99230342	99230342	Rivet (12 Requis)
18	99160319	99160319	99160319	Vis no. 8-32 x 3/8 po (4 requises)*
19	98005860	98005860	98005860	Support de douille de lampe (2 requis)
20	99270550	99270550	99270550	Douille de lampe (2 requises)
21	99270651	99270651	99270651	Transformateur à régulateur de puissance
22	99270553	99270553	99270553	Démarrateur FS-2*
23	97008619	97008619	97015775	Harnais de lampe
24	99400042	99400042	99400042	Bague anti-traction SR-4N-4 (2 requises)
25	98006937	98007164	98010173	Couvercle
26	98006938	98006938	98006938	Couvercle du boîtier électrique
27	99100463	99100463	99100463	Butée du tiroir (2 requis)
28	97008971	97008979	97016556	Ens. du support à tiroir gauche (Nos. 32 & 33 inclus)
**	97009436	97009435	97016555	Ens. du support à tiroir droit (Nos. 32 & 33 inclus)
29	99250932	99250932	99250932	Rondelle (2 requises)
30	97008929	97009054	97016559	Ensemble du tiroir (Nos. 14 & 31 inclus)
31	99110683	99110699	-----	Embout pour tiroir
32	99420602	99420603	99420602	Vis à tête moletée (4 requises)
33	98007155	98007155	98007155	Attache du tiroir (2 requises)
34	99020139	99020139	99020139	Roue du ventilateur (sens contraire des aiguilles d'une montre)
35	98005212	98005212	98005212	Anneau de retenue du moteur (2 requis)
36	99100491	99100491	99100491	Coussinet en caoutchouc pour moteur (4 requis)
37	99080359	99080359	99080359	Moteur
38	99260476	99260476	99260476	Écrou de tige de montage du ventilateur (2 requis)
39	99420464	99420464	99420464	Tige de montage du ventilateur (2 requises)
40	97007314	97007314	97007314	Volute du ventilateur
41	99020138	99020138	99020138	Roue du ventilateur, sens des aiguilles d'une montre
42	99140156	99140156	99140156	Ressort du filtre (2 requis)
43	99010175	99010175	99010175	Mousse du filtre
44	97011138	97011139	97016557	Panneau du filtre
46	99050018	99050018	99050018	Couvercle en verre pour lampe
48	99150492	99150492	99150492	Vis no. 8-18 x 1/2 po (2 requises)
49	99100408	99100464	99100408	Capuchon en plastique (4 requis)
50	99150471	99150471	99150471	Vis no. 10-32 x 1/2 po Verte (2 requises)
**	97008628	97008628	97008628	Ensemble de fil vert
**	97005985	97005985	97005985	Ensemble complet du ventilateur (Nos. 5, 34, 35, 36, 37, 40, et 41 inclus)
**				Tube fluorescent F20T12* (Non inclus)

*Quincaillerie standard. Peut être achetée localement.

**Non illustré.



HOTTE DE CUISINIÈRE
SÉRIE 15000

GARANTIE LIMITÉE D'UN AN DE BROAN-NUTONE

Broan-NuTone garantit à l'acheteur consommateur original de ses produits qu'ils sont exempts de vice de matériaux ou de fabrication pour une période d'un an à compter de la date d'achat original. IL N'Y A PAS D'AUTRES GARANTIES, EXPRIMÉES OU IMPLICITES, INCLUANT MAIS NON LIMITÉES AUX GARANTIES IMPLICITES DE QUALITÉ MARCHANDE ET DE CONVENANCE DANS UN BUT PARTICULIER.

Durant cette période d'un an, Broan-NuTone, à sa discrétion, réparera ou remplacera gratuitement tout produit ou pièce qui s'avèrera défectueux et ayant été utilisé normalement et d'une manière non abusive.

CETTE GARANTIE NE COUVRE PAS LES STARTERS DE TUBES FLUORESCENTS NI LES TUBES FLUORESCENTS. Cette garantie ne couvre pas (a) l'entretien et le service normal ou (b) tout produit ou pièce endommagé à la suite d'un mauvais usage, d'une négligence, d'un accident, d'un entretien inadéquat ou d'une réparation (autre que par Broan-NuTone), d'une mauvaise installation ou d'une installation non conforme au mode d'installation recommandé.

La durée de toute garantie implicite est limitée à une période d'un an tel que spécifié pour la garantie exprimée. Certains États ou provinces ne permettent pas de limitation de la durée d'une garantie implicite. Cette condition ne s'applique donc peut-être pas dans votre cas.

L'ENGAGEMENT DE BROAN-NUTONE À RÉPARER OU À REMPLACER, AU CHOIX DE BROAN-NUTONE, SERA LA SEULE OBLIGATION EXCLUSIVE SOUS CETTE GARANTIE. BROAN-NUTONE NE SE TIENDRA PAS RESPONSABLE DES DOMMAGES DIRECTS, INDIRECTS OU SPÉCIAUX AYANT UN LIEN DIRECT OU INDIRECT AVEC L'UTILISATION OU LA PERFORMANCE DE SES PRODUITS. Certains États ou provinces ne permettent pas l'exclusion ou la limitation de dommages directs ou indirects. Cette condition ne s'applique donc peut-être pas dans votre cas.

Cette garantie vous donne des droits spécifiques et il se peut que vous ayez d'autres droits qui varient d'une province à l'autre ou d'un État à l'autre. Cette garantie annule toutes les garanties précédentes.

Pour le service sous garantie, vous devez (a) aviser Broan-NuTone à l'adresse ou le numéro ci-dessous, (b) donner le numéro ou le modèle et l'identification de la pièce et (c) décrire la nature de tout défaut dans le produit ou la pièce. Au moment de la demande de service sous garantie, vous devez présenter une preuve de la date d'achat original du produit en question.

Broan-NuTone LLC Hartford, Wisconsin www.broan.com 800-558-1711

Broan-NuTone Canada Mississauga, Ontario www.fr.broan.ca 877-896-1119