

75040GM-M-F
30" Gas Cooktop

75040GM-M-F

30" Gas Cooktop



COOKTOP FEATURES

- 30" (76cm) 5 burner gas cooktop
- Continuous cast iron support grates
- Electronic ignition with flame failure safety
- Ergonomically placed control knobs
- UltraFlat design for optional flush install
- 2.5" deep allows for drawer or oven install under cooktop

COOKTOP PERFORMANCE

- 5 high quality burners
 - 1 x WOK burner: 17,500 BTU
 - 1 x Rapid burner: 11,500 BTU
 - 2 x Semi-rapid burners: 8,000 BTU
 - 1 x Simmer burner: 3,000 BTU down to 600 BTU

COOKTOP DIMENSIONS

- D: 20^{1/16"} x W: 29^{3/8"}
- D: 509mm x W: 714mm

CUT-OUT DIMENSIONS

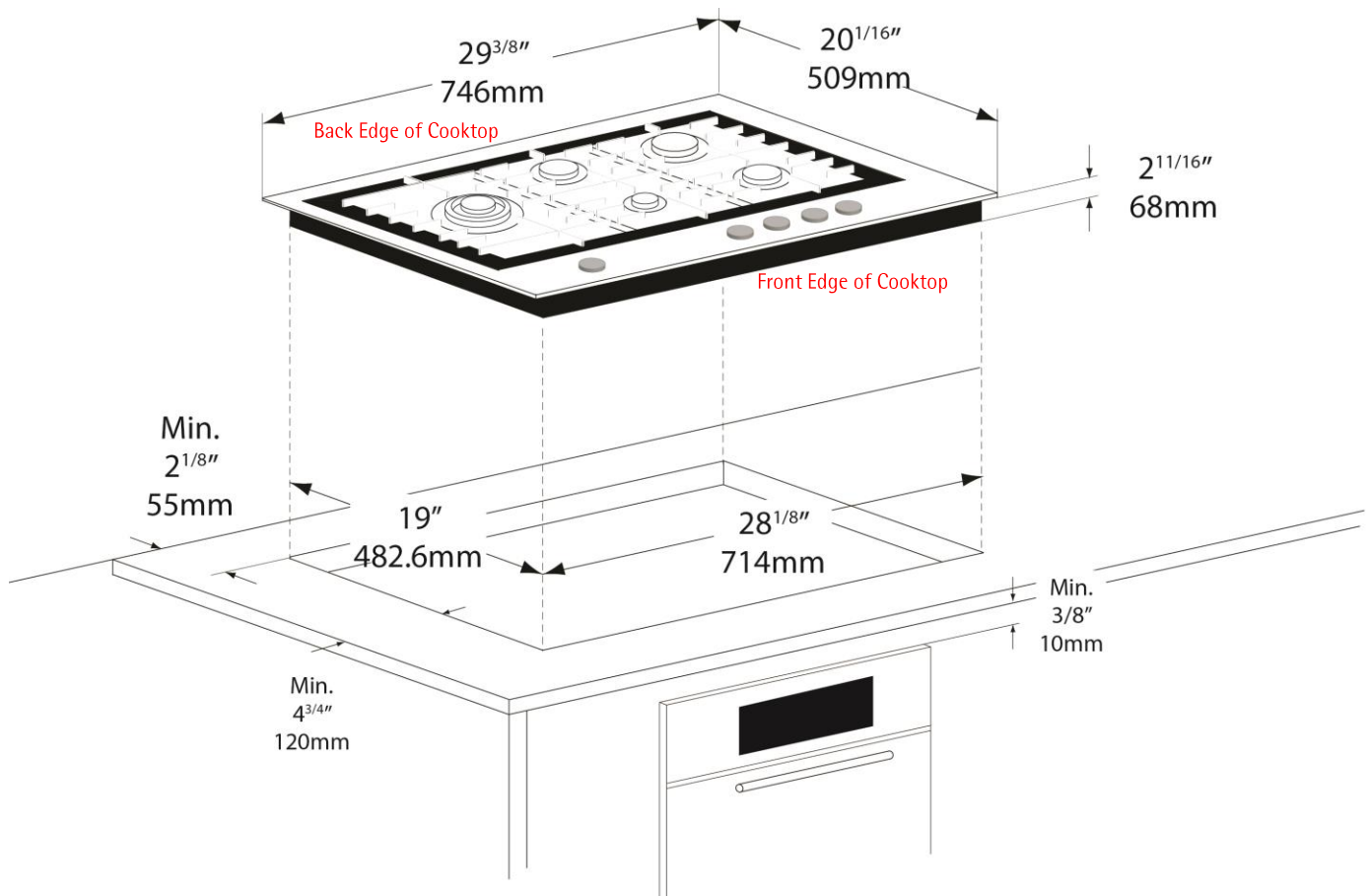
- D: 19" x W: 28^{1/8"}
- D: 482.6mm x W: 714mm

ELECTRICAL REQUIREMENTS

- 115 Volt, 60Hz, 15 AMP

Specifications

75040GM-M-F



Specifications are subject to change without notice.

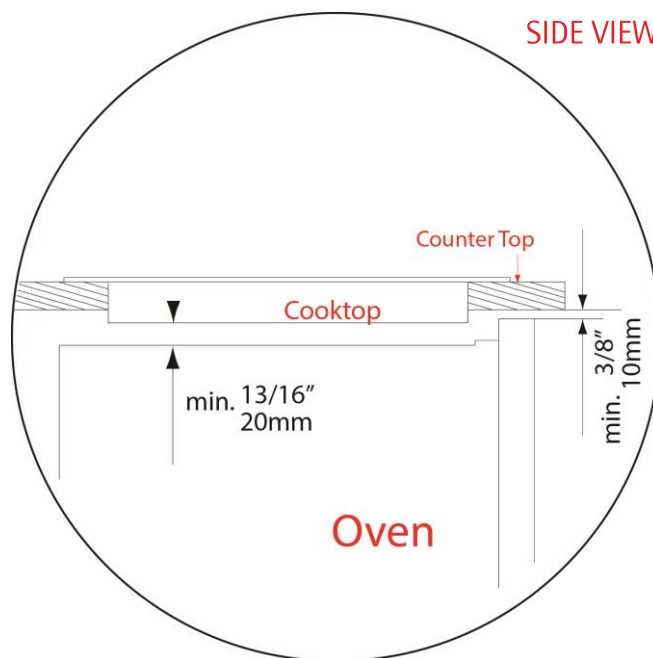
Detailed Specification Available at www.aeg-appliances.ca

Specifications

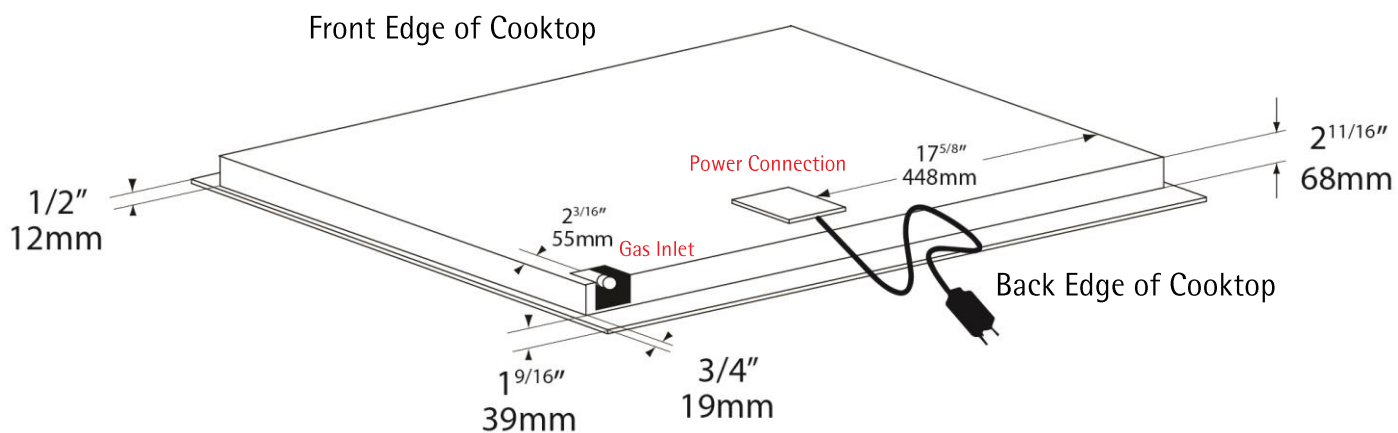
75040GM-M-F

INSTALLING OVER BUILT-IN OVEN

- There must be a minimum of 20mm (13/16") of space left between the bottom of the cooktop and the oven to allow air to flow.
- There must be a minimum of 5mm (3/16") of space left between the counter top and the door panel of a built-in oven / drawer.
- If sufficient air flow is not provided, the life of the appliance will be shortened.



UNDERSIDE VIEW



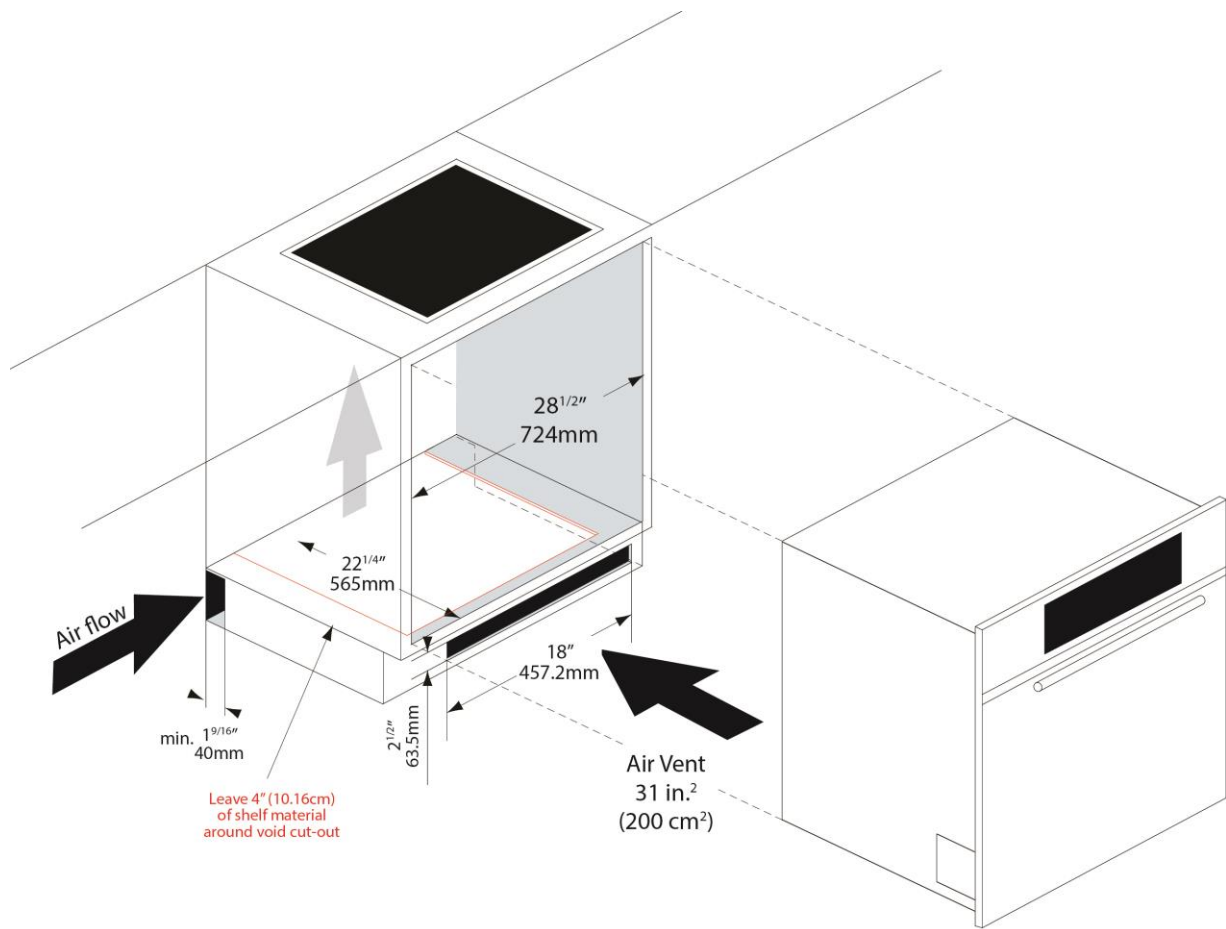
Specifications are subject to change without notice.

Detailed Specification Available at www.aeg-appliances.ca

Specifications

75040GM-M-F

RECOMMENDED CABINET DESIGN



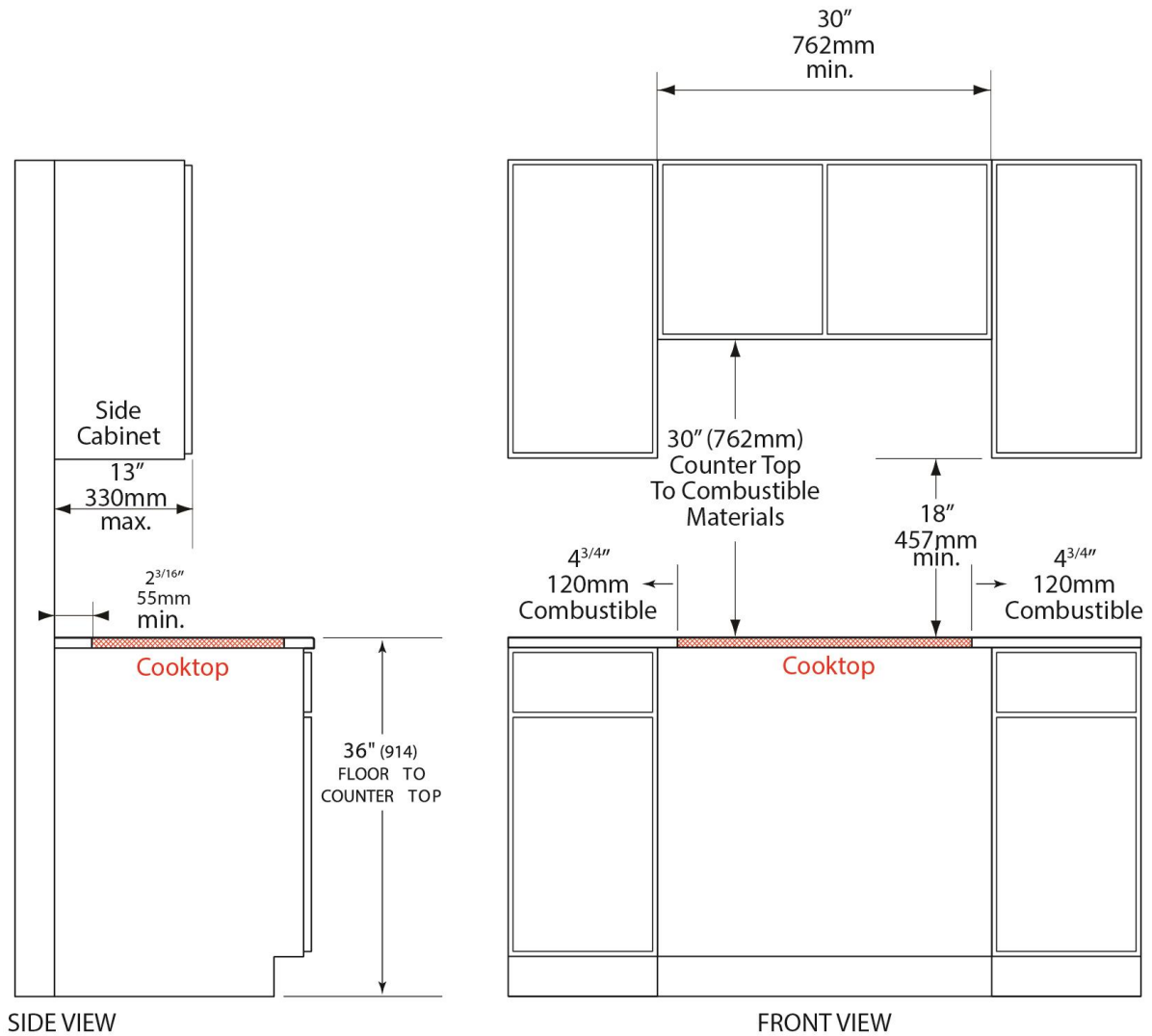
Specifications are subject to change without notice.

Detailed Specification Available at www.aeg-appliances.ca

Specifications

75040GM-M-F

RECOMMENDED CABINET MINIMUM CLEARANCE



* Minimum clearance from cooktop cut-out to combustible materials up to 18" (457mm) above countertop

Specifications are subject to change without notice.

Detailed Specification Available at www.aeg-appliances.ca

AEG products are designed and built to the highest standards.
Each appliance is covered by a comprehensive 2 year parts and labour warranty.

Refer to product warranty policy for complete terms and conditions.

For Service & Parts
EURO-PARTS

39822 Belgrave Rd,
Belgrave, Ontario, Canada,
N0G 1E0

1.800.678.8352

AEG appliances are imported and distributed in North America by Euro-Line Appliances Inc.

For more information visit

www.euro-line-appliances.com / www.elawest.com

EURO-LINE APPLIANCES INC.

871 Cranberry Court
Oakville, ON L6L 6J7
Canada
Toll Free: 1.800.421.6332
Showroom: 905.829.3980
marketing@euro-line-appliances.com

EURO-LINE APPLIANCES WEST INC.

2912 West 4th Ave
Vancouver, BC V6K 1R2
Canada
Toll Free: 1.855.ELA WEST (352.9378)
Showroom: 604.235.3980
info@elawest.com