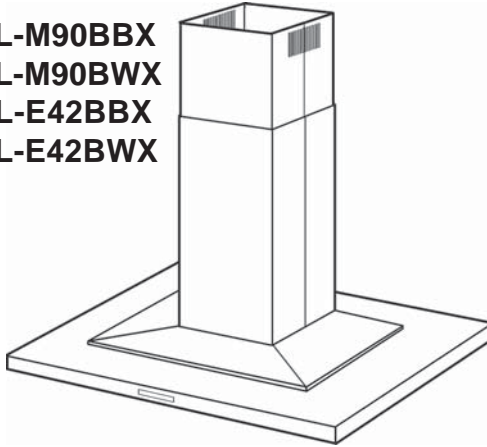


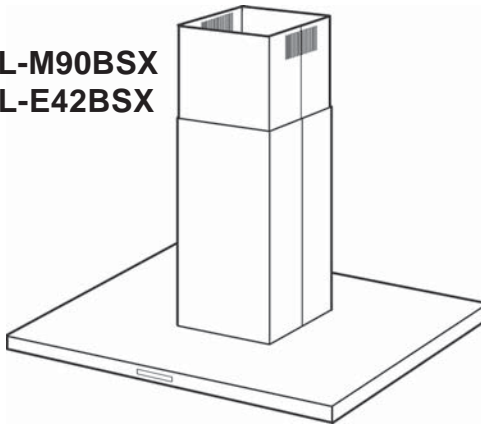
Layers Island

ALL-M90BBX
ALL-M90BWX
ALL-E42BBX
ALL-E42BWX



Duo Island

ADL-M90BSX
ADL-E42BSX



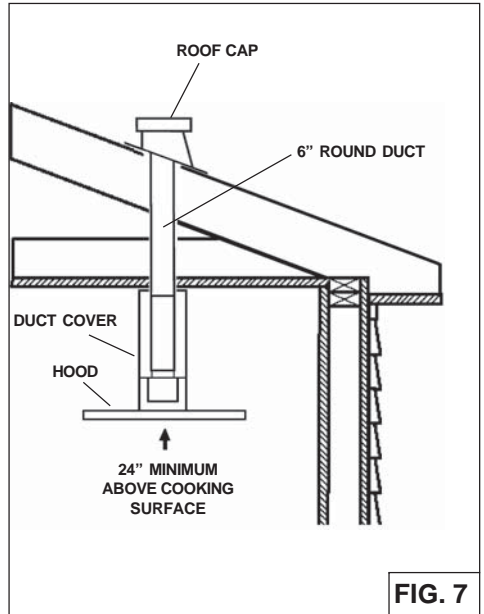
RANGE HOOD - Installation and use instructions

ENGLISH.....	3
FRANÇAIS.....	29

INSTALLING THE DUCTWORK: INTERNAL BLOWER

NOTE: To reduce the risk of fire, use only metal ductwork.

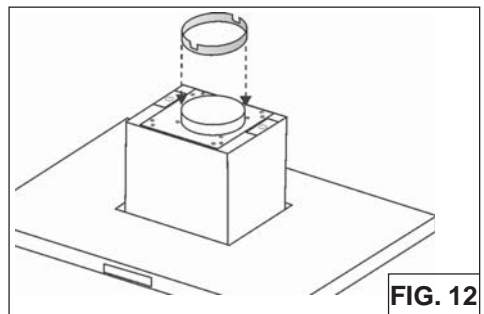
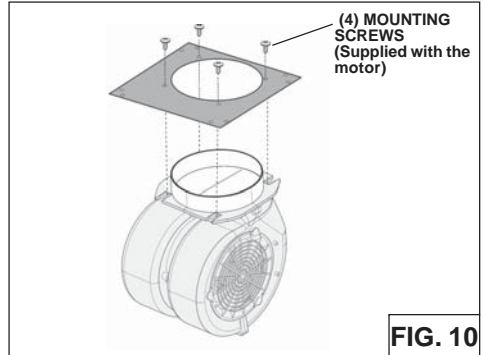
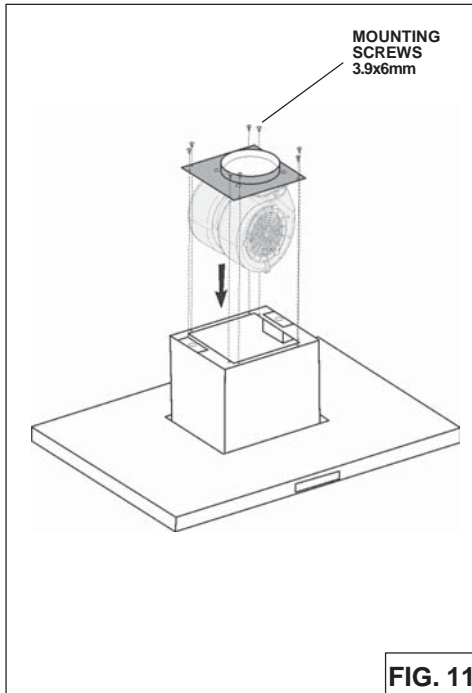
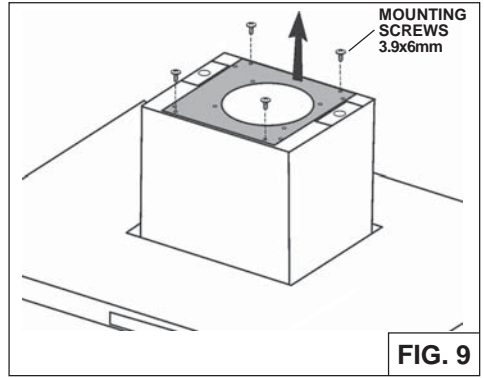
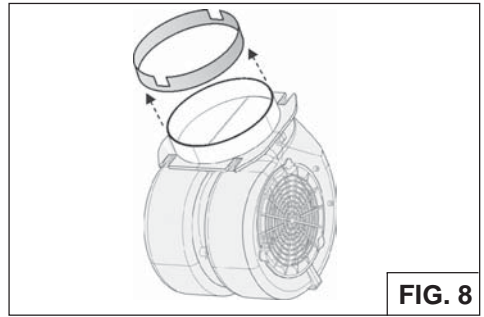
1. Decide where the ductwork will run between the hood and the outside.
2. A straight, short duct run using a minimum 6" round duct will allow the hood to perform most efficiently.
3. Long duct runs, elbows, and transitions will reduce the performance of the hood. Use as few of them as possible.
4. Install a roof cap. Connect round metal ductwork to cap and work back towards hood location. Use duct tape to seal the joints between ductwork sections (Fig.7).



INSTALLING THE INTERNAL BLOWER

NOTE: The following instructions are for installing the internal blower only. Install this range hood only with internal blower model CBI-290A or CBI-600A.

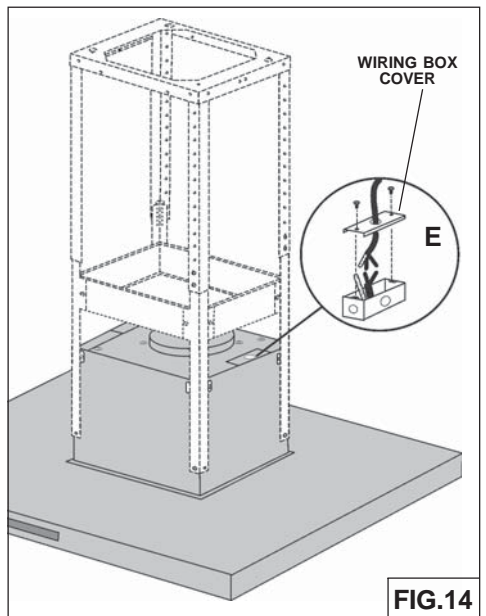
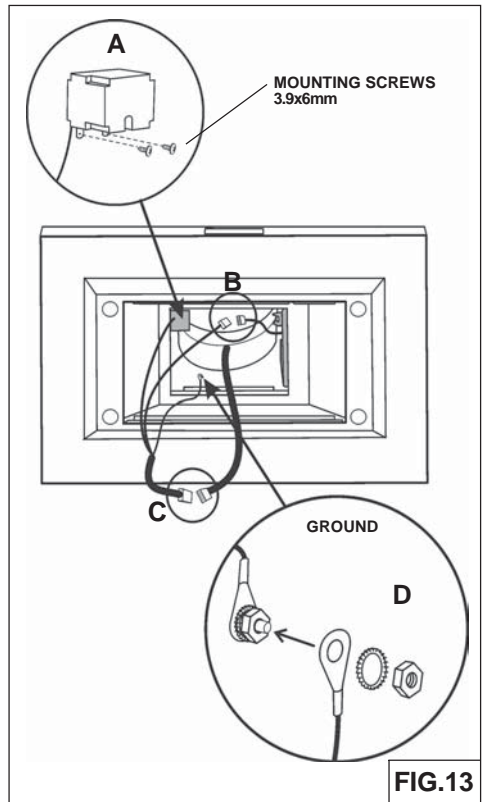
1. Remove the 6" metallic flange provided on the blower's air outlet (the flange may already be pre-installed) (Fig.8).
2. Remove the blower plate unscrewing the (4) 3.9x9.5 mm screws (Fig.9).
3. Install internal blower into blower plate and secure using (4) screws (Fig.10).
4. Install assembly blower by means (8) 3.9x6 mm screws (Fig.11).
5. Place the 6" metallic flange provided on the blower's air outlet (Fig.12).



INTERNAL BLOWER WIRING

Note: This range hood must be properly grounded. The unit should be installed by a qualified electrician in accordance with all applicable national and local electrical codes.

1. Secure capacitor box screwing the (2) 3.9x9.5 mm screws (Fig.13A)
2. Make connections (B,C, D) (Fig.13).
3. Remove the **wiring box cover**. Remove a knockout from the wiring box (Fig.14E).
4. Secure the conduit to the wiring box through a conduit connector.
5. Make electrical connections. Connect white to white, black to black and green to ground.
6. Replace wiring box cover and screws. Make sure that wires are not pinched between cover and box.



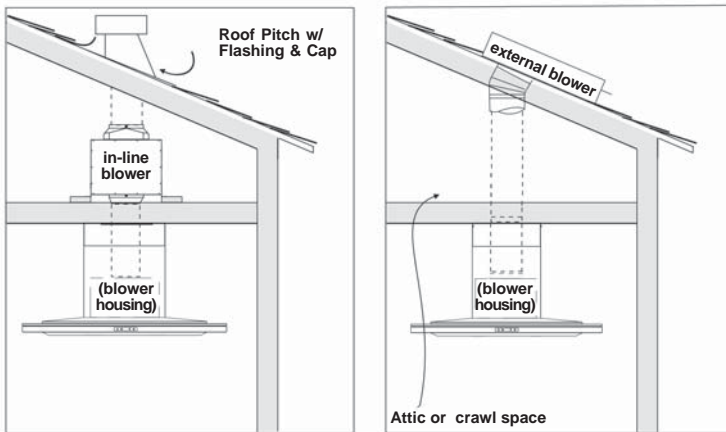
REMOTE BLOWERS (EXTERNAL AND IN-LINE)

CAUTION: To reduce risk of fire and electric shock, install this range hood only with External Blower Model CBE-1000, and In-Line Blower Model PBN-1000A. Other blowers cannot be substituted.

INSTALLING THE DUCTWORK: REMOTE BLOWER

NOTE: To reduce the risk of fire, use only metal ductwork.

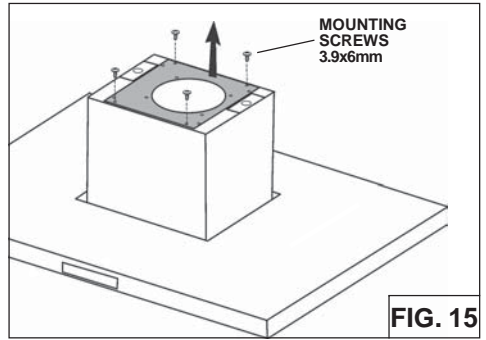
1. Choose the location where the External Blower or In-Line Blower will be mounted. See illustrations below for mounting location suggestions and restrictions.
2. A straight, short duct run using a minimum 8" round duct will allow the hood to perform most efficiently.
3. Long duct runs, elbows and transitions will reduce the performance of the hood. Use as few of them as possible. Larger ducting may be required for best performance with long duct runs.
4. After the External or In-Line Blower has been installed, connect round metal ductwork and work back towards the hood location. Use duct tape to seal joints between ductwork sections.



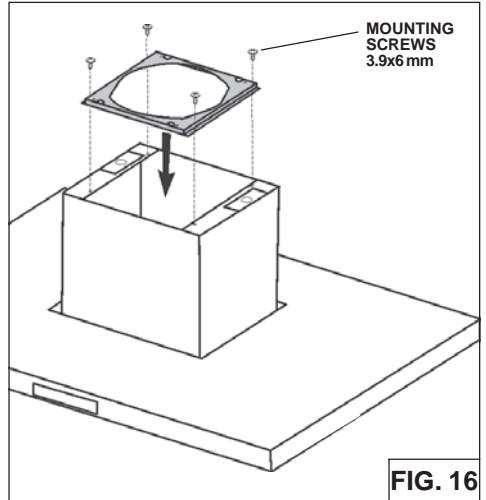
INSTALLING THE REMOTE BLOWER

NOTE: The following instructions are for preparing the hood for use with external or in-line blower models CBE-1000 or PBN-1000A. For blower installation details refer to manual included with the blower.

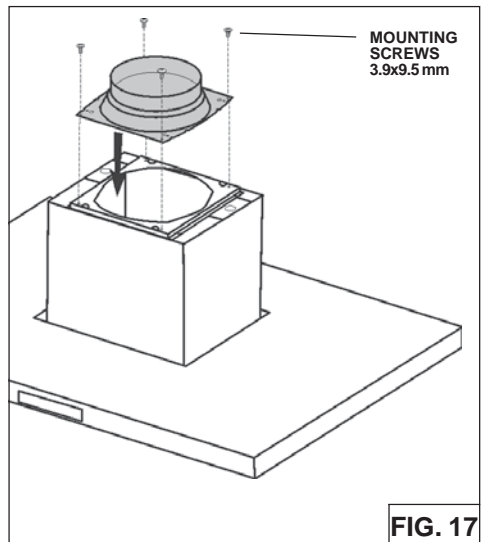
1. Remove the blower plate unscrewing the (4) 3.9x9.5 mm screws (Fig.15).



2. Install the external blower plate and secure using (4) 3.9x6 mm screws (Fig.16)



3. Install 8" round blower collar to top of blower housing screwing the (4) 3.9x9.5 mm screws (Fig.17).

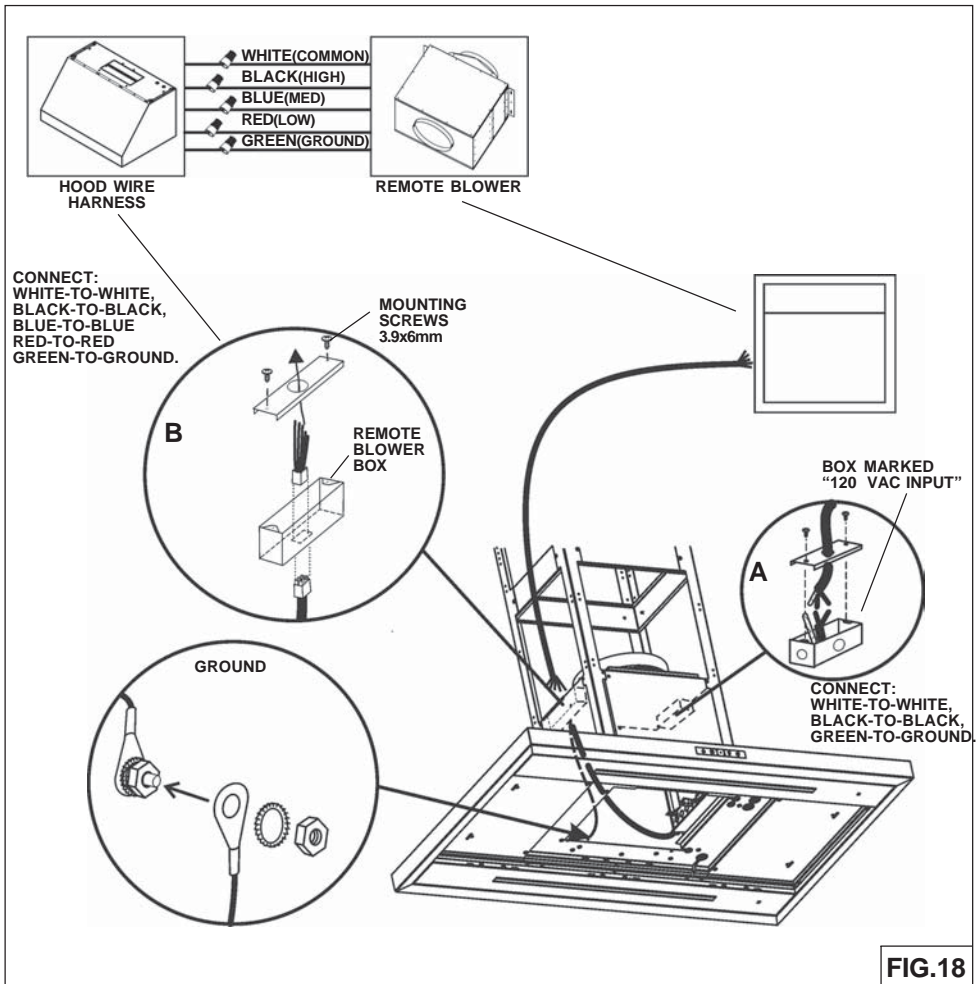


REMOTE BLOWER WIRING

1. Remove the covers from the wiring boxes and remove one knockouts.
2. Run 4-wire plus ground power cable from the remote blower to the remote blower wiring box marked "motor connection" (Fig.18B).
3. Feed 6" of cable through the knockout opening and secure the cable to the wiring box with an appropriate connector.
4. Make electrical connections at the hood (box marked 120 Vac input). Connect white-to-white, black-to-black, green-to-ground (Fig.18A).
5. Make electrical connections (remote blower box marked "motor connection"). Connect white-to-white, black-to-black, blue-to-blue, red-to-red, green-to-ground (Fig.18B).
6. Replace the wiring box covers and screws. Make sure wires are not pinched between the cover and box.

External blower connection:

1. Make electrical connections at the remote blower (see instructions provided with the remote blower).



INSTALL SUPPORT SYSTEM

Remove the plastic protective film from all exterior surfaces, decorative flues and filters, prior to final installation.

1. At hood location, install 2 x 4 or larger **cross framing** between **ceiling joists** using dimensions shown.
2. Finish the ceiling surface. Be sure to mark the location of the ceiling joists and cross framing.
3. Adjust the overall height of the support frame. Tighten the 8 screws in the **height adjustment holes** as necessary.

Insert **8 screws** (3.9x6 mm) located in the Hardware Package (Fig.19).

4. Secure the support frame to joists and cross framing with four (4) screws provided (4,8x38mm). Make sure screws are driven into center of joists and framing for maximum strength.

Notes:

Minimum hood distance above cook top must not be less than 24".

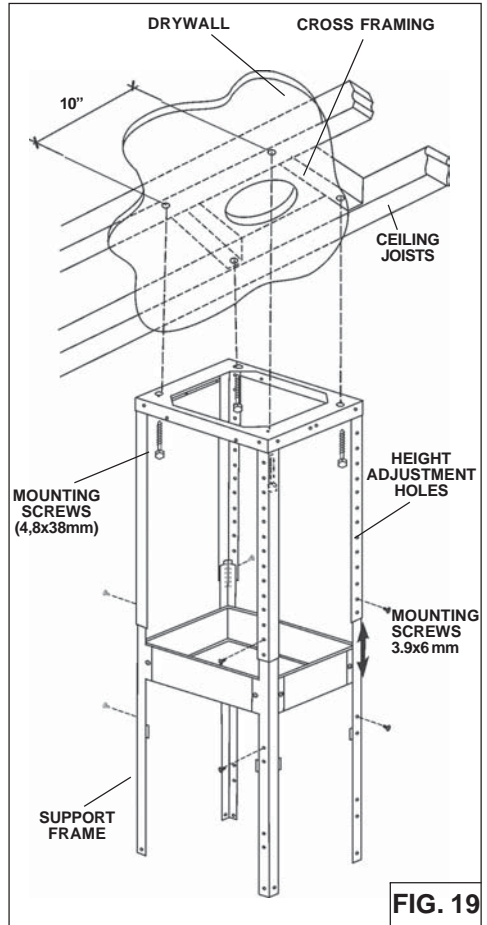


FIG. 19

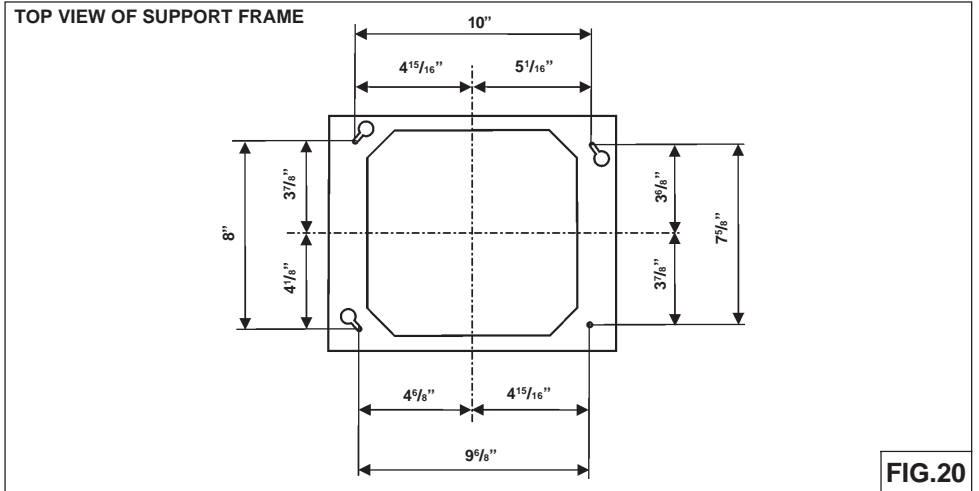


FIG.20

INSTALL THE HOOD

Insert 8 screws (3.9x6mm), located in the Hardware Package (Fig. 21).

DUCTED INSTALLATION ONLY

Note: Rooms with 10 to 12 foot ceiling require duct cover extension/support frame model Z1C-02LL, available from your local dealer.

Discard the duct cover extension/support frame supplied with the range hood and replace it with the longer duct cover extension.

1. Run 6-inch diameter metal ductwork to the outside location (Fig.22).
2. Install an appropriate wall or roof cap with damper to exhaust the air to the outside.
3. Tape all duct joints with aluminum duct tape.

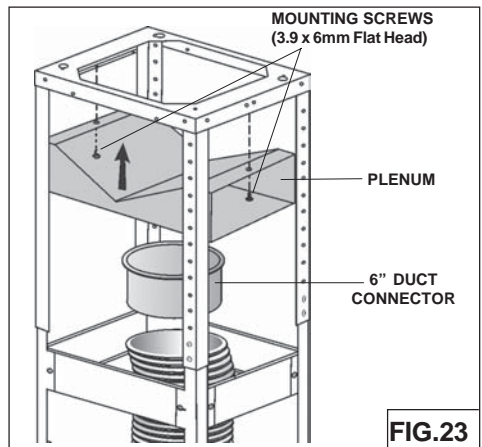
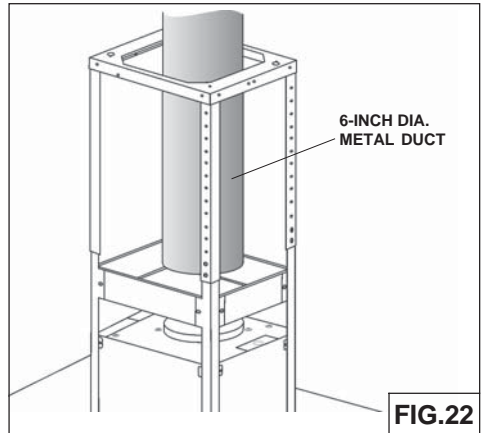
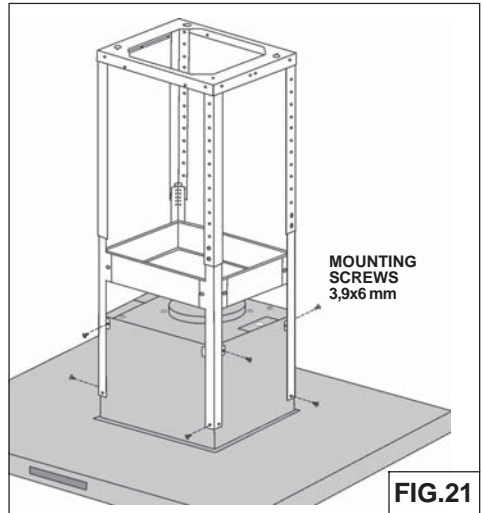
NON-DUCTED INSTALLATION ONLY

Note:

- a. Purchase Model ZRC-01LL Non-ducted Recirculating Kit from your local dealer.
- b. Rooms with 10 to 12 foot ceiling require duct cover extension/support frame model Z1C-02LL, available from your local dealer.

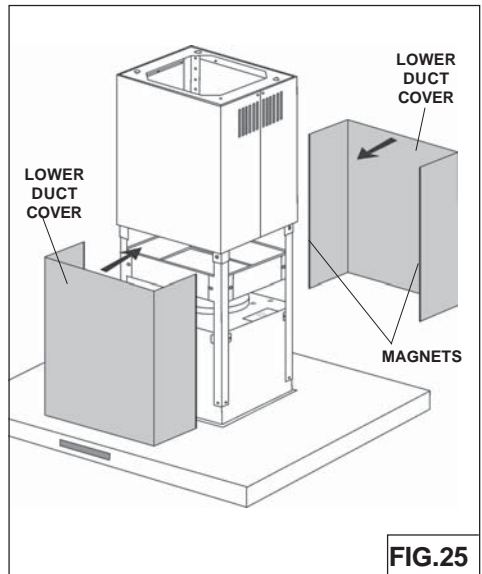
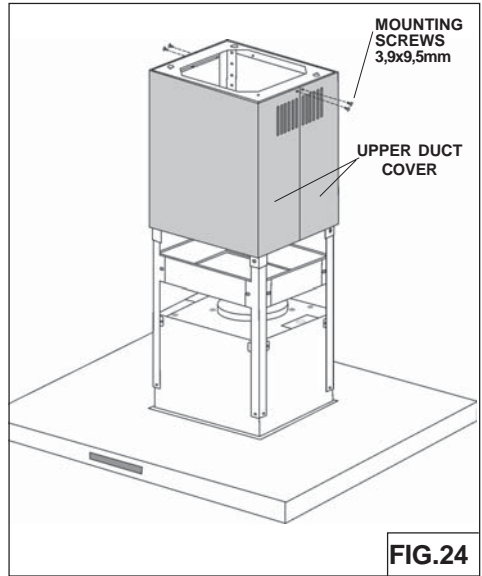
Discard the duct cover extension/support frame supplied with the range hood and replace it with the longer duct cover extension.

1. Install the plenum to the frame using (4) 3.9 x 6 mm screws provided as shown (Fig.23).
2. Install the 6" duct connector.
3. Attach 6-inch expandable ducting to the plenum and tape joint with aluminum duct tape.



CONNECT THE DUCT COVERS

1. Secure the **two upper duct covers** to support frame with (4) 3.9 x 9,5 mm screws (Fig.24).
Vents may be exposed on 10 to 12 foot ceilings.
2. Secure the **two lower duct covers** parts to the support frame by overlapping the lateral magnets (Fig.25).



MESH FILTERS

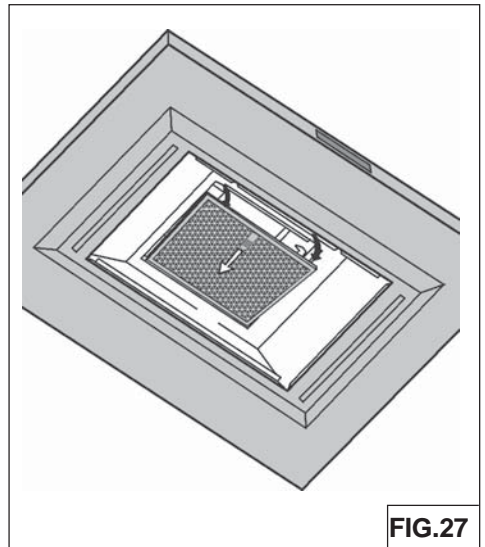
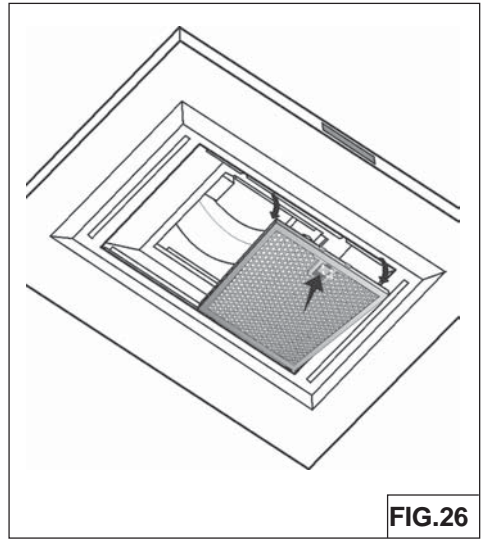
NOTE: prior to use, remove protective film from the filter frame.

DUCTED AND NON-DUCTED HOODS

1. To remove the MESH filter, pull down on latch tab to disengage the filter from the hood. Tilt the filter downward and remove (Fig.26).
2. To install the MESH filter, align rear filter tabs with slots in the hood. Pull latch tab down. Push filter into place and release tab. Make sure the filter is securely engaged after installation.

NON-DUCTED HOODS ONLY

1. To remove the CHARCOAL filter, grip and push filter tab toward rear of hood. Pull the filter down to disengage the rear filter tabs (Fig.27).
2. To install the CHARCOAL filter, align filter in rectangular opening. Push filter against springs in rear of hood and press into place. Make sure the filter is securely engaged after assembly.
3. Install MESH filter after charcoal filter is installed.
4. The charcoal filter replacement model is Z0F-01AC.



DESCRIPTION	HOOD	PART#
REPLACEMENT PARTS		
Metal Mesh Filter	ADL	50200031
Metal Mesh Filter	ALL	50200033
OPTIONAL ACCESSORIES		
Recirculating Kit	ADL-ALL	ZRC-01LL
Replacement Charcoal Filters	ADL-ALL	Z0F-01AC
Extension Flue up to 12'	ADL-ALL	Z1C-02LL

To order parts, visit us online at <http://store.zephyronline.com> or call us at 1.888.880.8368