

Gaggenau

Use and care manual

Guide d'utilisation et d'entretien

Manual de uso y cuidado

AW 230 790

HOOD AW 230 790

Hotte aspirante AW 230 790

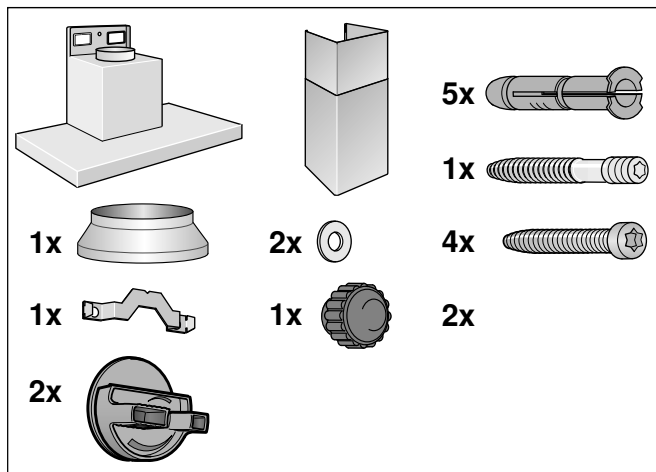
Campana extractora AW 230 790

Before You Begin

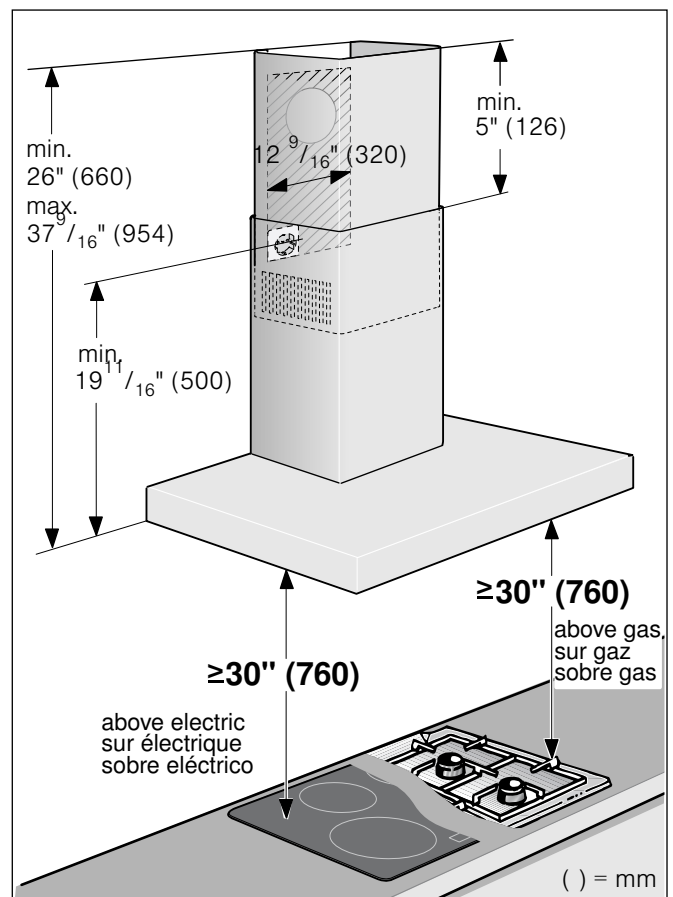
Tools and Parts Needed

- Measuring tape
- Pencil
- Phillips screwdriver (Posidrive) #2
- Screwdriver T25
- Screwdriver T15
- Drill with the following bits: 5/16" (8 mm)
- Spirit-level
- Aluminum tape (DO NOT use insulating tape)
- Exhaust channel (configuration depends on the installation situation)
- Additional sheet metal screws (if necessary for installation of the exhaust air duct)
- Saw

Parts Included



Appliance dimensions



- This appliance is installed on the wall.
- Follow the enclosed installation instructions for additional special accessories (e.g. for circulating-air mode).
- The surfaces of the appliance are sensitive. Avoid damaging them during installation.

Safety clearances

⚠ WARNING

Risk of fire

Grease deposits in the grease filter may catch fire. The specified safety distances must be observed in order to prevent an accumulation of heat. Observe the specifications for your cooking appliance. If gas and electric cooktops are operated together, the largest specified distance applies.

Only one side of the appliance may be installed directly next to a high-sided unit or a wall. The distance between the appliance and wall or high-sided unit must be at least 2" (50 mm).

The minimum distance between the supporting surface for the cooking equipment on the hob and the lowest part of the range hood must be not less than 30" (760 mm) from electric cookers and 30" (760 mm) from gas or mixed cookers.

If the instructions for installation for the gas hob specify a greater distance, this must be adhered to.

General notes

Exhaust air mode

⚠ WARNING

Risk of death

Risk of poisoning from flue gases that are drawn back in. The exhaust air must not be conveyed into a functioning smoke or exhaust gas flue or into a shaft that is used to ventilate installation rooms that contain heating appliances. If the exhaust air is to be conveyed into a non-functioning smoke or exhaust gas flue, you must obtain the consent of the heating engineer responsible.

If the exhaust air is conveyed through the outer wall, a telescopic wall box should be used.

Ventilation line

Note: The appliance manufacturer does not assume any warranty for complaints attributable to the pipe section.

- The appliance achieves its optimum performance by means of a short, straight exhaust air pipe and as large a pipe diameter as possible.
- As a result of long rough exhaust air pipes, many pipe bends or pipe diameters that are smaller than 6" (150 mm), the optimum extraction performance is not achieved and fan noise is increased.
- The pipes or hoses for laying the exhaust air line must consist of non-combustible material.

Round pipes

An inner diameter of 6" (150 mm), but at least 4 3/4" (120 mm), is recommended.

Flat ducts

The inner cross-section must correspond to the diameter of the round pipes.

dia. 6" (150 mm) approx. 27 1/2 sq in (177 cm²)

dia. 4 3/4" (120 mm) approx. 26 3/4 sq in (113 cm²)

- Flat ducts should have no sharp deflections.
- Use sealing strip for deviating pipe diameters.

Check wall

- The walls must be smooth, vertical, and sufficiently load-bearing.
- The depth of the bore holes must be the same length as the screws. The wall plugs must have a secure grip.
- The enclosed screws and wall plugs are suitable for solid brickwork. Suitable fasteners must be used for other structures (e.g. plasterboard, porous concrete, perforated bricks).
- The max. weight of the extractor hood is **90 lbs (40 kg)**.

Electrical connection

WARNING

Risk of electric shock

Parts inside the appliance can have sharp edges. The connection cable can be damaged. Do not bend or pinch connection cables during installation.

The necessary connection information is located on the identification plate in the appliance interior, remove metal grease filter to access it.

Length of the connecting cable: Approx. 4¼ ft (1.30 m)

This appliance meets EC radio interference suppression requirements.

WARNING

Risk of electric shock

It must always be possible to disconnect the appliance from the electricity supply. The appliance must only be connected to a protective contact socket that has been installed correctly. If the plug is no longer accessible following installation of the appliance, or a fixed connection is required, an all-pole isolating switch must be present on the installation side with a contact gap of at least 1/8" (3 mm). The fixed connection may only be installed by an electrician.

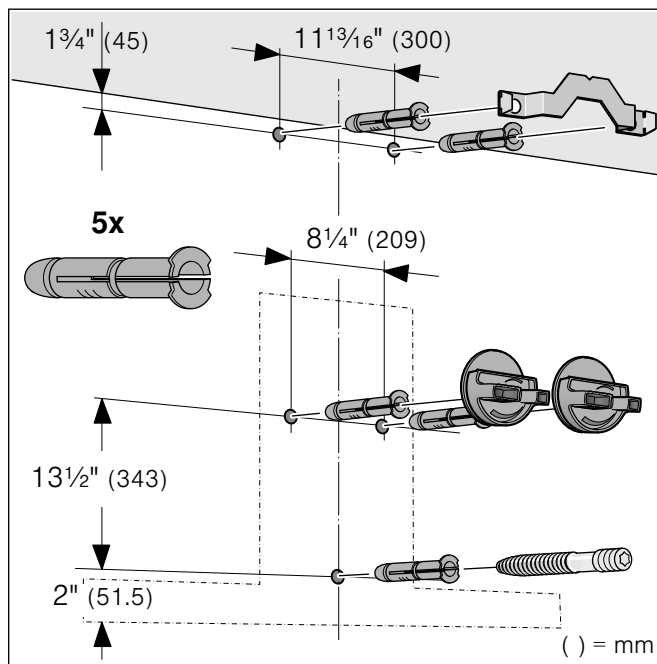
Installation

Preparing the installation

⚠ CAUTION

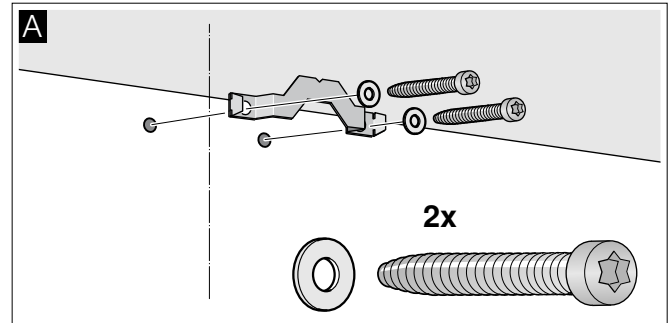
Ensure that there are no electric wires, gas or water pipes in the area where holes are to be made.

- 1 Mark a vertical center line on the wall from the ceiling to the lower edge of the extractor hood.
- 2 Mark positions for the screws and the contour of the attachment area.
- 3 Drill five $\frac{5}{16}$ " (8 mm) \varnothing holes to a depth of $3\frac{5}{32}$ " (80 mm) for the attachments and press in the wall plugs flush with the wall.

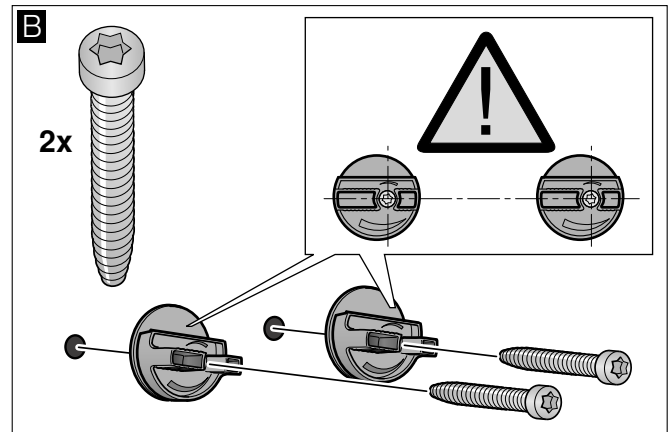


Installation

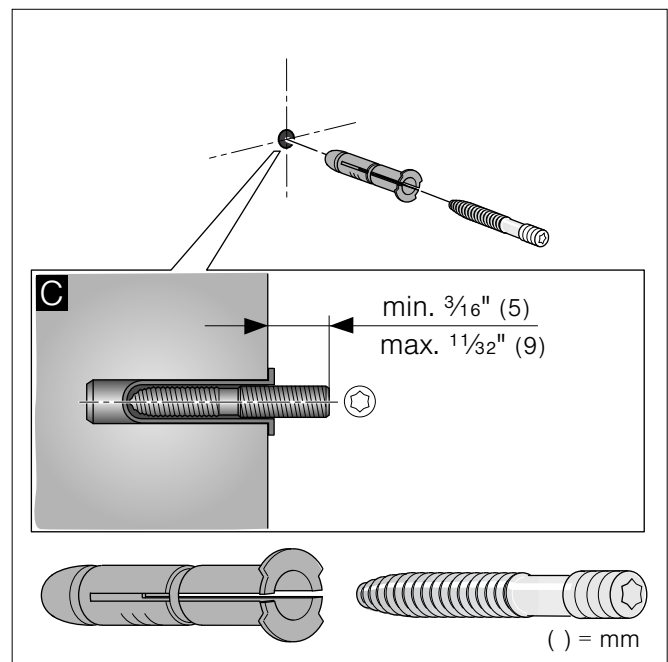
- 1 Screw on the angle bracket for the flue duct. **A**



- 2 Screw on brackets for the extractor hood hand-tight. Do not fully tighten screws! **B**

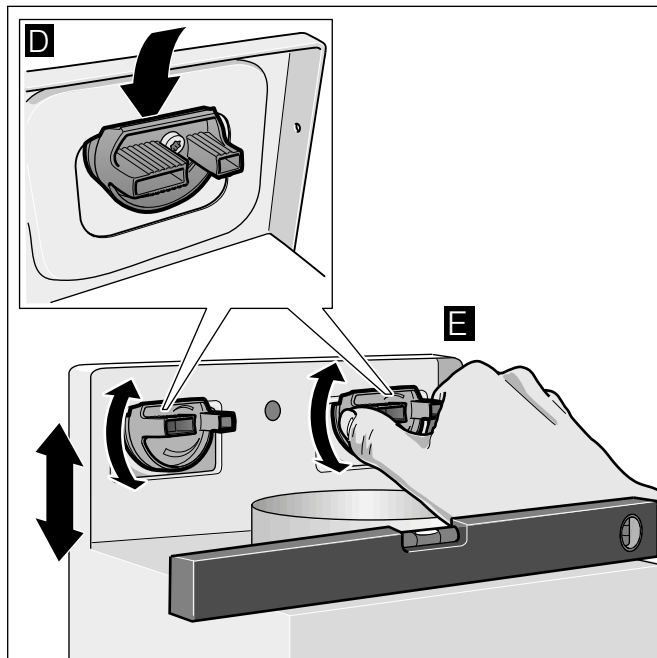


- 3 Screw in threaded bolt, leaving it protruding out of the wall by $\frac{3}{16}$ " - $\frac{11}{32}$ " (5–9 mm). **C**

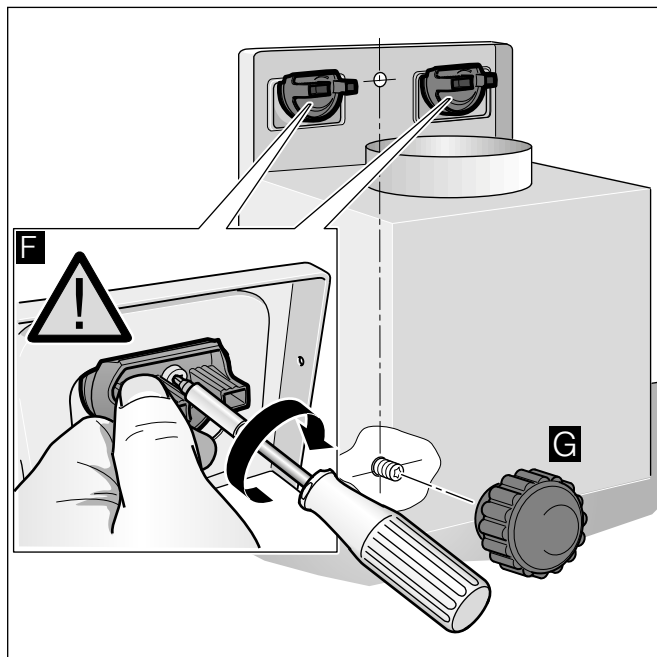


Attaching and aligning the appliance

- 1 Initially remove the protective foil from the back of the appliance and, following installation, remove foil completely.
- 2 When attaching the appliance, ensure that it engages firmly with the brackets. **D**
- 3 Align the appliance horizontally by turning the brackets. If required, the appliance can be moved to the right or left. **E**



- 4 Tighten the screws on the brackets holding the brackets in place with one hand. **F**
- 5 Screw on knurled nut and washer firmly. **G**



Connecting the pipes

Note: If an aluminum pipe is used, smooth the connection area beforehand.

Exhaust-air pipe Ø 6" (150 mm) (recommended size)

Attach exhaust-air pipe directly to the air-pipe connector and seal.

Exhaust-air pipe Ø 4 3/4" (120 mm)

- 1 Attach reducing connector directly to the air-pipe connector.
- 2 Attach exhaust air pipe to the reducing connector.
- 3 Seal both joints appropriately.

Attaching flue duct

⚠ WARNING

Risk of injury

From sharp edges during installation. Always wear protective gloves while installing the appliance.

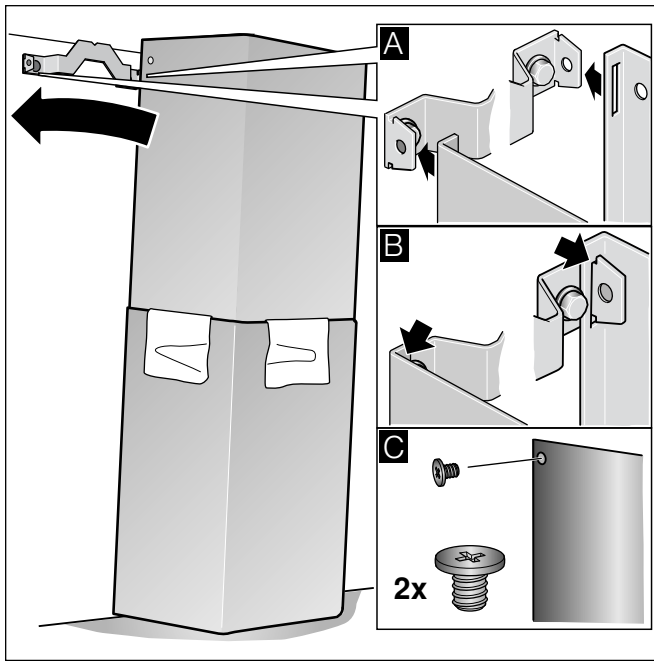
- 1 Separate the flue ducts. To do this, remove the adhesive tape.
- 2 Remove the protective foil from both flue ducts.
- 3 Push one flue duct into the other.

Notes

- To prevent scratches, lay paper over the edges of the lower flue duct to protect the surface.
- The slots of the inner flue duct point downwards.

- 4 Place flue ducts on the appliance.
- 5 Push the inner flue duct upwards and attach it to the angle brackets on the left and right. **A**
- 6 Press the flue duct downwards until it engages. **B**

- 7 Screw the flue duct to the sides of the angle bracket using two screws. **C**



Removing the appliance

- 1 Loosen the flue duct.
- 2 Disconnect the appliance from the power supply.
- 3 Loosen the exhaust air lines.
- 4 Loosen screws for fastening the appliance.
- 5 Remove the appliance.