



As if sculpted by air, the curves of polished stainless steel create an intriguing presence in island design.

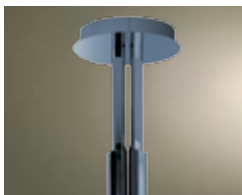
Bright halogen bulbs light the cooktop and surrounding area for clear visibility.

Dual, 4-speed Electronic control allows independent control of left and right side blowers and lights. Includes 10-minute delay-off and filter clean reminder.

Perimeter aspiration provides a smooth surface for easy cleaning.

Heat Sentry™ detects excessive heat and adjusts blower to high automatically.

**Model Number:**  
IM321100SP



Telescopic rod accommodates ceiling heights 8' to 9'.



**Hood Sizes**

|                              |                     |
|------------------------------|---------------------|
| <b>Width</b>                 | <b>39-3/8"</b>      |
| <b>Depth</b>                 | <b>19-3/4"</b>      |
| <b>Ceiling Mount Bracket</b> | <b>12" Diameter</b> |

**Finish**

|               |                          |
|---------------|--------------------------|
| Stocked       | Polished Stainless Steel |
| Special Order | Not Available            |

**Features**

|                         |   |
|-------------------------|---|
| Lighting Type           | Halogen (Type T3, G4 base, 12 volt, 20 watt max)          |
| Number of Lamps         | 6   |
| Lighting Levels         | 2   |
| Lighting Lamps Included | Yes   |
| Control Type            | Dual, 4-speed Pushbutton                                  |
| Control Features        | Heat Sentry™, Delay Off, Filter Clean Reminder            |
| Remote Control          | Not Available   |
| Filter Type             | Mesh Grease and Charcoal Filter with Perimeter Aspiration |
| Non-ducted Capability   | Yes (Non-duct only)                                       |

**Hood Blower Included (IM32I)**

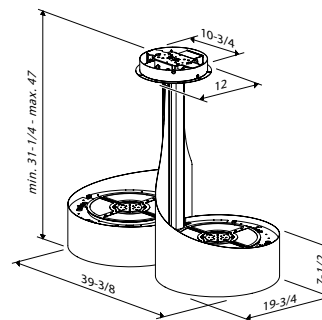
| Internal       | Centrifugal Blower |
|----------------|--------------------|
| Blower CFM     | 450 Recirculating  |
| Sones Low/High | Not Applicable     |

**Accessories**

|                             |         |
|-----------------------------|---------|
| Charcoal Replacement Filter | AFCIM32 |
|-----------------------------|---------|

**Installation Requirements**

|                              |                |
|------------------------------|----------------|
| Amps @ 120V: Internal Blower | 2.81           |
| Electrical Connection        | Direct Wire    |
| Duct Size: Internal Blower   | Not Applicable |
| Duct Direction               | Non-duct only  |
| Backdraft Damper             | Not Applicable |



Installation height above the cooking surface: 24"-30"

For more details see the product specifications sheet found at [www.BESTRangeHoods.com](http://www.BESTRangeHoods.com)