

DWT 25502 SERIES

14 Place Settings
Slim panel front control screen



Main Features

- 5 programs
- 3 wash temperatures
- Brushless DC™ motor
- Condensing drying system
- 49 dBA wash noise level
- Program follow-up display
- Time delay up to 1-24 hrs.
- Auto tablet detergent function
- 1/2 load function
- Sanitize function
- ExtraRinse function
- RapidClean function
- 3 way euro filtering system
- smartFIT™ front adjustable rear feet
- Interior highloop with air gap
- Power plug

Interior Design

- All stainless steel tank
- Three spray arms (lower, upper and ceiling)

Base Rack Loading System

- Unloaded adjustable upper rack
- 2 adjustable mug shelves
- Sliding cutlery basket
- Fixed lower rack tines

Color

- DWT 25502 W: White
- DWT 25502 B: Black
- DWT 25502 SS: Stainless steel

FEATURES



14 Place Settings

Blomberg dishwashers can perfectly clean dishes upto 14 place settings without leaving any piece of cutlery out.



RapidClean

The dishwasher increases the washing temperature and adjust the water pressure to provide up to 2 times faster cleaning performance.



ExtraRinse

Additional rinsing function for households who desire an extra rinsing cycle with more water.



Auto Tablet

Sensors detects rinse aid and automaticly sets drying cycle duration. This provides the best drying results without any concern.



Brushless DC™ Motor

Variable speed circulation motor allows to use optimum necessary amount of water and energy. Due to magnetic design the motor has no persistent low frequency sound, and creates less vibration.



Double Motion Float System

All Blomberg dishwashers have a double motion float system (DMFS) that provides maximum security against water damage and a bottom tray to prevent flooding.

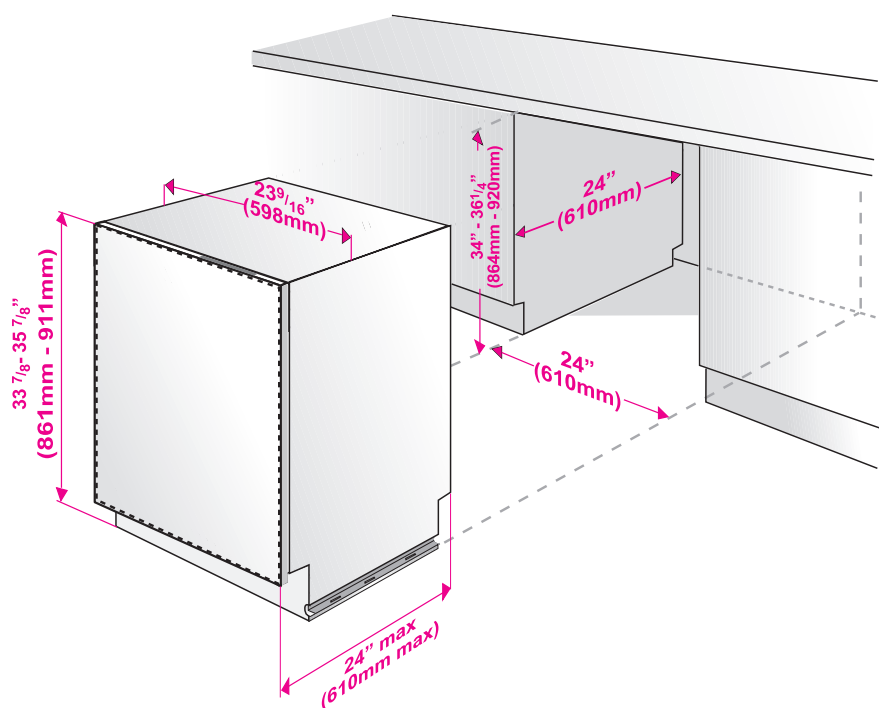
Blomberg®

seit 1883

DWT 25502 SERIES

14 Place Settings Slim panel front control screen

CONTROLS		
Control Type	Electronic	
Position	Front	
MAIN FEATURES		
Loading Capacity (place settings)	14	
Tub material	Stainless Steel	
Inner door material	Stainless Steel	
Interior illumination	-	
Water Softener	-	
DMFS overflow protection	✓	
5 level wash with 3rd spray arm	✓	
Delay timer up to 1-24 hrs	✓	
3 way euro filter	✓	
Drying	Condensation	
Brushless DC™ motor	✓	
Turbidity sensor	✓	
Silence level, dBA	49 dBA	
ProCare	✓	
Auto Tablet function	✓	
1/2 Load function	✓	
Sanitize function	✓	
ExtraRinse function	✓	
SuperGloss function	-	
RapidClean function	✓	
PowerWash function	-	
Self Cleaning Filter	-	
SmartPIN™ joint	-	
Interior high loop with airgap	✓	
Power Plug	✓	
PROGRAMS		
Number of programs	5	
Pots and pans plus (167°F rinse temp)	✓	
Pots and pans (158°F rinse temp)	-	
Auto program (131°F - 149°F rinse temp)	-	
MixWash+	-	
Regular Wash (142°F-145°F rinse temp)	✓	
DailyWash	✓	
China/Crystal (149°F rinse temp)	-	
GlassCare	-	
QuickWash (131°F rinse temp)	✓	
Rinse & Hold	✓	
DISPLAY		
Program sequence	✓ / Screen	
Rinse aid indicator	Electronic	
Rinse aid indicator display	✓	
Salt indicator display	-	
Light Indicator on Floor	-	
RACK SYSTEM		
smartFold™ lower rack folding tines	-	
Lower rack embossed stainless handle	-	
Cutlery basket	Sliding	
Upper rack (inset shelves)	2	
smartFold™, upper rack folding tines	-	
FlexiRack™, adjustable upper rack	Unloaded	
FlexiDrawer, removable 3rd rack	-	
Lower basket wine glass holder	-	
Nylon coated racks	✓	
DIMENSIONS		
Packed (HxWxD)	in	35x25 3/16x26
	cm	88,9x64.4x66.1
Packed Weight	(lb/kg)	90/41
Unpacked (HxWxD)	in	33 7/8x23 9/16x22 2/5
	cm	86.1x59.8x57
Unpacked Weight	(lb/kg)	90/38
ENVIRONMENTAL STANDARDS		
Energy Star qualified	✓	
Energy consumption, kWh/year	255	
Water consumption, gal/cycle	3,5 - 5,0	
RoHS* compliant	✓	



* Lead-free