

## Dishwashers

### 24" Flush Handle Dishwasher 500 Series- White SHPM65W52N



**The flexible 3rd rack allows you to accommodate deeper items, while adjustable tines let you customize the rack's loading space.**

- **44 dBA:** Quietest dishwasher brand.
- A flexible 3rd rack with fold down sides adds 30% more loading capacity.
- The pocket handle seamlessly integrates into your kitchen & installs flush.
- The EasyGlide™ rack system provides a smooth glide for easier loading & unloading on the upper rack.
- FlexSpace™ Tines fold back to fit your larger pots & pans.

#### Technical Data

Upper Rack :	500
Adjustable upper rack :	Rackmatic 3-stage
Upper rack cup shelf :	2
Lower Rack :	500
3rd Rack :	3rd Rack 2.0
Silverware Basket :	Standard
Accessories Parts :	no
Optional accessories :	SGZ1010UC, SMZ5000, SMZPC002UC
UPC code :	825225923664
Variant color :	White
Panel ready :	No
Alternative colors available :	SHPM65W55N, SHPM65W56N
Silence level (dBA) :	44
Watts (W) :	1300
Current (A) :	12
Volts (V) :	120
Frequency (Hz) :	60
Energy Consumption (kWh/yr) :	269
Energy Star® qualified :	Yes
Plug type :	fixed connection
Required cutout size (HxWxD) (in) :	x 33 7/8 " x 23 9/16 "
Required cutout size (HxWxD) (mm) :	860-890 x 610 x 610
Overall appliance dimensions (HxWxD) (in) :	33 7/8 " x 23 9/16 " x 23 3/4 "
Power cord length (in) :	43 1/2"
Power cord length (cm) :	110
Length outlet hose (in) :	67 "
Length outlet hose (cm) :	175
Product packaging dimensions (HxWxD) (in) :	35 3/4" x 26" x 29 5/16"
Tub material :	Stainless steel
Tub type :	TallTub
ADA Compliant :	No
Number of place settings :	16

#### Optional accessories

- SGZ1010UC : Drain hose extension kit
- SMZ5000 : Dishwashing aid set
- SMZPC002UC : Powercord with cold plug

## Dishwashers

### 24" Flush Handle Dishwasher 500 Series- White SHPM65W52N

**The flexible 3rd rack allows you to accommodate deeper items, while adjustable tines let you customize the rack's loading space.**

---

#### Key Features

- 44 dB - Quietest Dishwasher Brand.
- A flexible 3rd rack with fold down sides adds 30% more loading area.
- InfoLight® Beams on Floor to Indicate Dishwasher is Running
- RackMatic® on Upper Rack - 3 Height Adjustments and Up to 9 Possible Rack Positions
- AquaStop® Leak Protection Works 24/7

#### Design

- Full Size Stainless Steel Tall Tub Installs Perfectly Flush
- A flexible 3rd rack with fold down sides adds 30% more loading area.
- 16 Place Setting Capacity
- LED Remaining Time Display
- RackMatic® on Upper Rack - 3 Height Adjustments and Up to 9 Possible Rack Positions

#### Performance

- 44 dB - Quietest Dishwasher Brand.
- 5 Wash Cycles and 5 Options
- Detergent Tray Optimizes Detergent Dissolving
- Speed60® gets your dishes from dirty to dry in about an hour.
- Extra Dry Option for Better Drying Results
- Load Size Sensor Automates Wash Temperature
- Sanitize Option Eliminates Bacteria and Enhances Drying Results

#### Efficiency

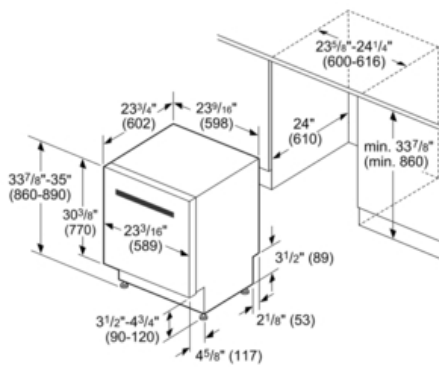
- 269 kwh/yr - Energy Star®

#### Convenience

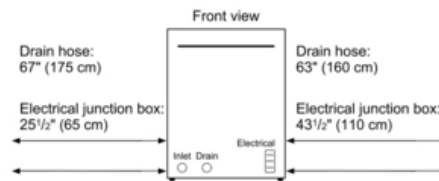
- Electronic delay timer: 1-24 hours Delay Start Timer
- AquaStop® Leak Protection Works 24/7
- Self-Latching Door

## Dishwashers

### 24" Flush Handle Dishwasher 500 Series- White SHPM65W52N



measurements in inches (mm)



All connections are at the rear of the appliance.  
Extension for drain hose available as accessory.  
Power cord for connection to electrical outlet (3-prong plug) available as accessory.