

## Double Oven

### 30" Microwave Combination Oven 500 Series - Stainless Steel HBL57M52UC



### The Bosch Microwave Combination Oven Features Heavy Metal Stainless Steel Knobs.

- Genuine European Convection for Even Baking Results on Multiple Levels.
- Heavy-duty Metal Knobs for a Premium Look and Feel.
- The Wall Oven is Designed to be Installed Flush with your Cabinetry.

---

#### Technical Data

Cooking mode :	Microwave
Cooking method second cavity :	
3rd element convection, Convection Bake, Convection Broil, Convection Roast, Dough proving setting, Pizza setting, Small area grill, Top/bottom heating, Top heating, 1/3 bottom heat., Variable small-area grill, Warming	
Integrated Cleaning system :	No
Number of interior lights :	1
Included accessories :	2 x oven racks /lower
Bake Element Wattages cavity 1 (W) :	0
Microwave Wattages (W) :	950
UPC code :	825225928690
Product color :	Stainless steel
Energy source :	Electric
Watts (W) :	7975
Current (A) :	40
Volts (V) :	208-240
Frequency (Hz) :	60
Approval certificates :	CSA
Power cord length (in) :	50"
Power cord length (cm) :	127
Appliance Dimensions (h x w x d) (cm) :	124.4 x 75.5 x 62.2
Required cutout size (HxWxD) (in) :	45 5/8" x 28 1/2" x 23 1/2"
Overall appliance dimensions (HxWxD) (in) :	49" x 29 3/4" x 24 1/2"
Overall appliance dimensions (HxWxD) (mm) :	1244 x 755 x 622
Product packaging dimensions (HxWxD) (in) :	55 3/4" x 34" x 31 1/2"
Net weight (lbs) :	299
Net weight (kg) :	136.0
Gross weight (lbs) :	328
Gross weight (kg) :	149.0

---

#### Included accessories

2 x oven racks /lower

---

#### Optional accessories

HEZTR301 : Telescopic Oven Rack 30"

## Double Oven

### **30" Microwave Combination Oven 500 Series - Stainless Steel HBL57M52UC**

#### **The Bosch Microwave Combination Oven Features Heavy Metal Stainless Steel Knobs.**

- 
- Microwave Oven: For Additional Details Please Review SKU HMB50152UC

##### **Design**

- Heavy-duty Metal Knobs

##### **Performance**

- 10 Microwave Power Levels
- Genuine European Convection
- Temperature Conversion for Convection Cooking

##### **Efficiency**

- EcoClean™ 2-Hour Self-Clean Cycle

##### **Convenience**

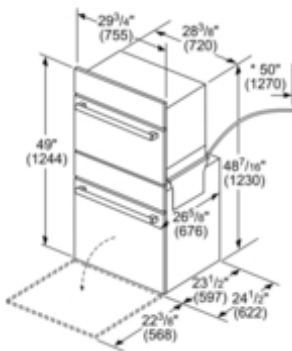
- One Oven Light to Better Monitor Cooking Progress
- Kitchen Timer
- Extra Large Door Window for Easy Monitoring of Cooking Process
- Star-K certified. 100°-450° F

##### **Capacity**

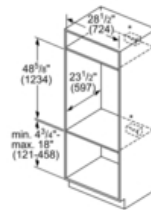
- Large Capacity at 4.6 Cu Ft.
- Recessed 8 Pass Broil Element for Increased Capacity and Safety

## Double Oven

### 30" Microwave Combination Oven 500 Series - Stainless Steel HBL57M52UC

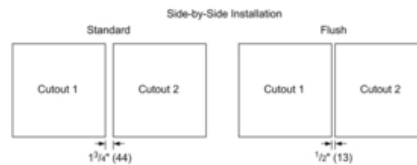
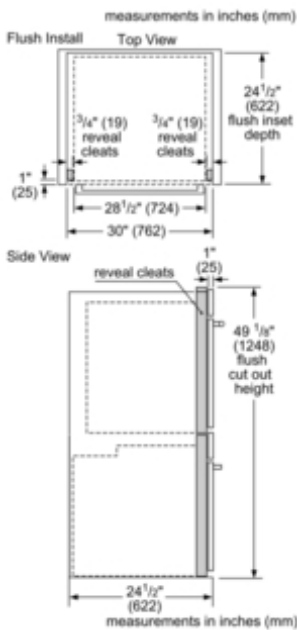


\* Power conduit 50" (1270 mm) from the lower oven.



\* Junction box may be installed above, below, or to the left or right of the unit within range of the power conduit.

measurements in inches (mm)

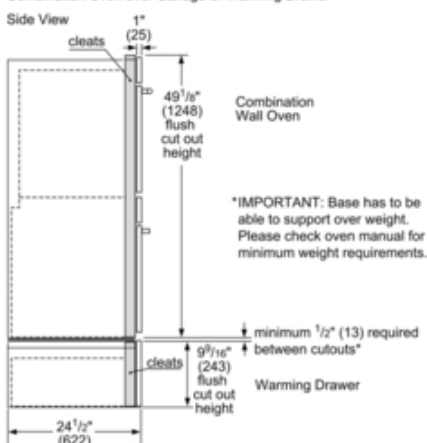


The ovens will overlap the cutout resulting in a 1/2" (13) spacing between the products

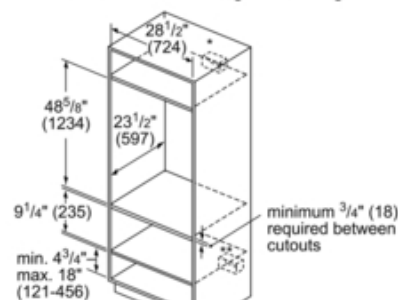
IMPORTANT: The spacing between cutouts applies when installing any BOSCH 30" or 27" single, double, combination and 27"/30" compact oven in a side-by-side installation.

Measurements in inches (mm)

#### Flush Installation Combination Oven over Storage or Warming Drawer



#### Standard Installation Combination Oven over Storage or Warming Drawer



\* Wall oven junction box may be located above or right or left of the unit within reach of the power conduit.

\*\* Electrical hook up may be located below (depending on space) or next to the drawer within the reach of the power cord.

Measurements in inches (mm)