

Double Oven

30" Speed Combination Oven Stainless Steel HBLP752UC



Introducing a Newly Designed and Engineered Bosch Combination Oven Featuring a Speed Oven and Wall Oven with a Smooth-Close Door.

- The Bosch Speed Oven Cooks Faster than a Traditional Oven and Can Also be Used as a Microwave.
- Dampened Hinges Softly and Quietly Guide the QuietClose™ Door Shut.
- The Color TFT Control Panel with SteelTouch™ Buttons is Easy to Use.
- A Full-Extension Telescopic Rack Offers Safe Access to the Oven Cavity.
- The Wall Oven is Designed to be Installed Flush with your Cabinetry.

Technical Data

Cooking mode :	Combined operation, Half width variable grill, Hot Air, Hot air grilling, Microwave, warming
Cooking method second cavity :	3rd element convection, Convection Bake, Convection Broil, Convection Roast, Dough proving setting, Eco, Pizza setting, Pre-heating, Special baking setting, Top/bottom heating, Top heating, 1/3 bottom heat., Variable small-area grill, Warming
Integrated Cleaning system :	No
Number of interior lights :	1
Included accessories :	1 x oven racks / lower, 1 x Broiler pan /lower, 1 x temperature probe /lower
Bake Element Wattages cavity 1 (W) :	600
Convection Element Wattages cavity 1 (W) :	1700
Microwave Wattages (W) :	1000
UPC code :	825225928706
Product color :	Stainless steel
Energy source :	Electric
Watts (W) :	9600
Current (A) :	40
Volts (V) :	208-240
Frequency (Hz) :	60
Approval certificates :	CSA
Power cord length (in) :	50"
Power cord length (cm) :	127
Appliance Dimensions (h x w x d) (cm) :	124.4 x 75.5 x 62.2
Required cutout size (HxWxD) (in) :	48 5/8" x 28 1/2" x 23 1/2"
Overall appliance dimensions (HxWxD) (in) :	49" x 29 3/4" x 24 1/2"
Overall appliance dimensions (HxWxD) (mm) :	1244 x 755 x 622
Product packaging dimensions (HxWxD) (in) :	55 3/4" x 34" x 31 1/2"
Net weight (lbs) :	296
Net weight (kg) :	134.0
Gross weight (lbs) :	328
Gross weight (kg) :	149.0

Included accessories

1 x oven racks /lower
1 x Broiler pan /lower
1 x temperature probe /lower

Optional accessories

HEZTR301 : Telescopic Oven Rack 30"

Double Oven

30" Speed Combination Oven Stainless Steel HBLP752UC

Introducing a Newly Designed and Engineered Bosch Combination Oven Featuring a Speed Oven and Wall Oven with a Smooth-Close Door.

-
- Speed oven: For Additional Details Please Review SKU HMCP0252UC

Design

- Color TFT Touch Control with SteelTouch™ Buttons for Easier Operation of the Oven

Performance

- 14 Specialized Cooking Modes - Gourmet Cooking Made Easy
- Custom Cooking Programs: No-Preheat Frozen Food Mode, Pizza, Pie, Warm and Proof
- Genuine European Convection
- Temperature Conversion for Convection Cooking
- Fast Preheat Reduces Preheat Time

Efficiency

- EcoClean™ 2-Hour Self-Clean Cycle
- EcoChef Mode - Remaining Heat in Cavity Finishes Cooking Process

Convenience

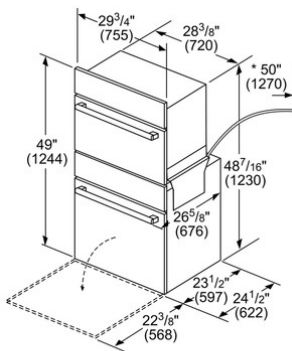
- Two Halogen Lights Provide Superior Cavity Illumination
- Timer with Cook Time and Delay Start Function
- Extra Large Door Window for Easy Monitoring of Cooking Process
- Star-K certified. F100°-450°. Two Separate Time Intervals can be Programmed

Capacity

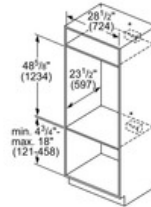
- Large Capacity at 4.6 Cu Ft.
- Recessed 8 Pass Broil Element for Increased Capacity and Safety

Double Oven

30" Speed Combination Oven Stainless Steel HBLP752UC

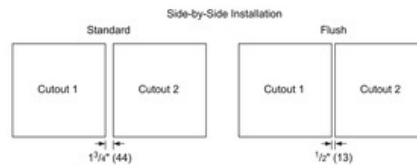
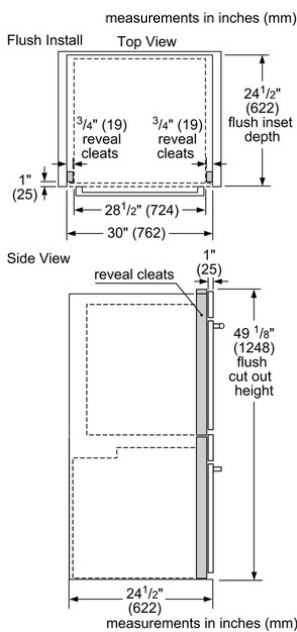


* Power conduit 50" (1270 mm) from the lower oven.



* Junction box may be installed above, below, or to the left or right of the unit within range of the power conduit.

measurements in inches (mm)

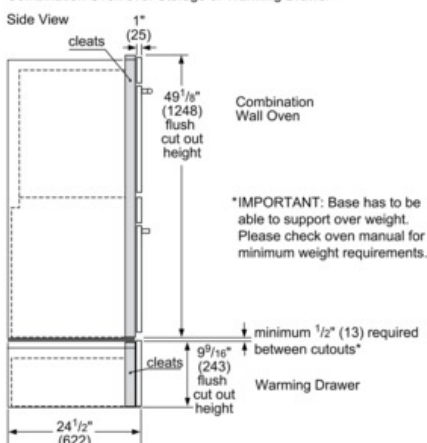


The ovens will overlap the cutout resulting in a 1/2" (13) spacing between the products

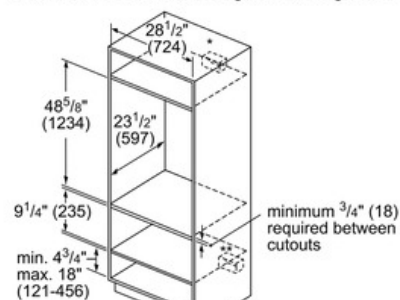
IMPORTANT: The spacing between cutouts applies when installing any BOSCH 30" or 27" single, double, combination and 27"/30" compact oven in a side-by-side installation.

Measurements in inches (mm)

Flush Installation Combination Oven over Storage or Warming Drawer



Standard Installation Combination Oven over Storage or Warming Drawer



* Wall oven junction box may be located above or right or left of the unit within reach of the power conduit.

** Electrical hook up may be located below (depending on space) or next to the drawer within the reach of the power cord.

Measurements in inches (mm)