

dacor[®]

Installation Instructions

Modernist Built-In Electric Wall Oven

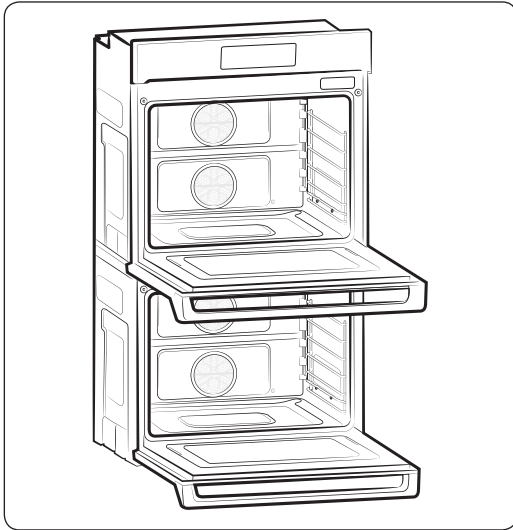
DOB30M977**

Contents

Before you begin...	3
Important	3
Customer-service information	4
If You Need Help...	4
Important safety instructions	5
Related equipment safety	5
Transport	5
Installation requirements	8
Checklist	8
Prepare to install the oven	9
Location requirements	10
Single ovens	11
Double ovens	18
Installation instructions	25
Prepare built-in oven	25
Remove and replace oven door(s)	26
Electrical connection	30
Install oven	34
Self-diagnosis	36

Before you begin...

Important



Overall design/accessories may differ with the model.

Installer

- For safety and to minimize problems, read this manual thoroughly before starting the installation.
- Leave this manual with the user.
- Write the oven's model/serial numbers in this manual for service/maintenance reference.

User

- Keep this manual for personal reference and for that of inspectors, service personnel, etc.

Customer-service information

If You Need Help...

If you have questions or problems with installation, contact your Dacor® dealer or the Dacor Customer-Service team. If your Dacor appliance is under warranty, call Dacor Distinctive Service. Have the appliance's model/serial numbers available when you call.

Dacor Modernist Service (repairs under warranty only)

Phone: (800) 793-0093 ex. 2822 (U.S.A. and Canada)
Monday – Friday 6:00 a.m. to 4:00 p.m. Pacific Time

Dacor Customer Service

Phone: (800) 793-0093 ex. 2813 (U.S.A. and Canada)
Monday – Friday 6:00 a.m. to 5:00 p.m. Pacific Time
Web site: www.dacor.com

All specifications are subject to change without notice. Dacor assumes no liability for changes to specifications.

© 2017 Dacor, all rights reserved.

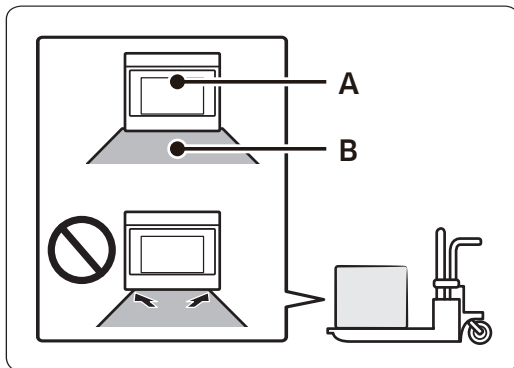
Important safety instructions

Related equipment safety

Remove all tape and packaging before using the appliance. Dispose of the packaging after unpacking the appliance. Never let children play with packaging material. Never modify the oven (e.g., do not remove panels, wire covers, or screws).

Transport

To avoid damage to the oven vent, use the transport method shown in the picture below.



Support the bottom of the oven from either side when moving it to the installation site. Leave the unit attached to the pallet until it is in front of the cabinet opening and ready to be lifted into place.

- A. Front
- B. Pallet

⚠ DANGER **ELECTRICAL SHOCK HAZARD**

To avoid risk of electrical shock, personal injury, or death; verify your appliance is grounded according to local codes or in their absence, with the National Electrical Code (NEC). ANSI/NFPA 70-latest edition.

⚠ WARNING **MOVING HAZARD**

To avoid risk of severe personal injury; this appliance requires two or more people while handling and moving. Use of appliance moving devices is recommended.

Important safety instructions

WARNING

- The information in this manual should be followed exactly to avoid fire or electrical shock that may cause property damage, personal injury, or death.
- Save this manual for local electrical inspector's use.
- Ensure your appliance is properly installed and grounded by a qualified technician.
- New branch-circuit installations (1996 NEC), mobile homes, RVs, or installations where local codes prohibit grounding through the neutral conductor require 4-wire branch-circuit connection.
- Improper connection of aluminum house wiring to copper leads can cause an electrical hazard or fire. Use only connectors designed for joining copper to aluminum and follow the manufacturer's recommended procedure closely.
- Mounting screws must be used. Failure to do so can result in the oven falling out of the cabinet causing serious injury.

CAUTION

- The cabinets and wall coverings around the oven must be able to withstand the heat (up to 194 °F [90 °C]) generated by the oven; otherwise, discoloration, delamination, or melting may occur.
- DO NOT remove spacers on the side walls of the built-in oven. The spacers center the oven in the space provided. The oven must be centered to prevent excess heat buildup that may result in heat damage or fire.

⚠ WARNING

Follow the information in this manual exactly; otherwise, fire or electrical shock may result causing property damage, personal injury, or death.

IMPORTANT NOTE

The installer shall ensure proper installation. Product failure due to improper installation is NOT covered under warranty.

⚠ WARNING

DO NOT put weight on the oven door. Never let anyone to climb, sit, stand, or hang on the oven door. The oven could tip, causing personal injury and property damage.

⚠ WARNING

Electricity must be off while the electrical connections are made. Failure to do so can result in severe personal injury or death.

IMPORTANT NOTE

- Observe all governing ordinances.
- The oven must be properly grounded.
- Do not block oven vents (bottom-front of the oven) or leave combustible or heat-sensitive items in front of them.

Installation requirements

Checklist

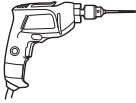
Use this checklist to verify that you have completed each step of the installation process:

1. Before installing the oven, verify the cabinet dimensions are correct and the required electrical connections are present.
2. See this manual's content regarding Safety, Cabinet Dimensions, Removing Packaging, Electrical Installation, Testing the Installation and Customer Service.
3. To lift the oven, hang the install handle onto the side hook of the unit.
4. Move the oven unit into place in front of the cabinet opening, leaving the bottom packaging on the unit to avoid damaging flooring.
5. Team-lift the unit directly into the cabinet cutout, avoiding personal injury.
6. Ensure the electrical conduit reaches to the connection point properly.
7. Slide the unit fully into place, while routing the electrical conduit correctly.
8. With a Phillips screwdriver and supplied screws, anchor the oven to the cabinetry opening.
9. Consult the complete installation instructions, and follow the other procedures listed, including verifying proper oven function.
10. All product literature and accessories are supplied (may be wrapped or boxed) with the oven.

Prepare to install the oven

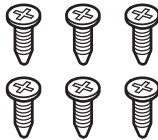


Phillips Screwdriver



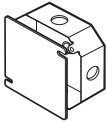
Drill

Prepare to install the oven



6 screws (M4 L16)
6 Wood Screws For Mounting (4 needed for installation and 2 extra's)

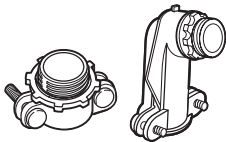
Materials needed



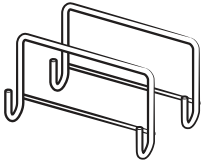
Junction Box



Wire Nuts



$\frac{3}{4}$ " Conduit Connector



Install Handle (only for double oven)

Installation requirements

Location requirements

IMPORTANT: Observe all governing ordinances.

- Specified cabinet-opening dimensions are minimums and must be used.
- The cabinet recess must completely enclose all but the face of the oven.
- A grounded electrical supply is required. (See **Electrical Requirements**.)
- Put the electrical-supply junction box at most 3" (7.6 cm) below the support platform within the cabinet. A 1" (2.5 cm) min. diameter hole should be drilled in the right/left rear corner of the support platform for oven-cable access to the junction box.

 **NOTE**

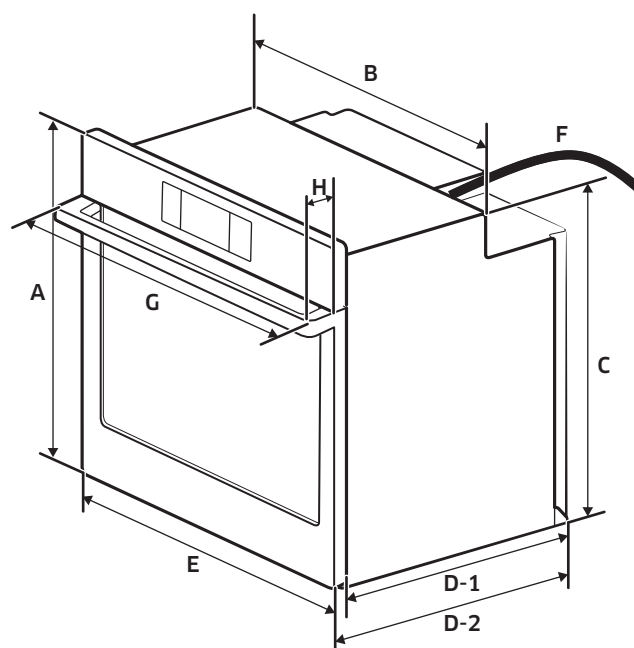
For under-counter installation, the junction box should be in the adjacent right/left cabinet. For rear-wall installation, the junction box should be recessed in the upper-right corner of the cutout.

- The support platform must be solid, level, and flush with bottom of the cabinet cutout.
- Single oven: The floor must support 221 lb (100 Kg).
- Install the oven at least 12" (30 cm) from other appliances.

IMPORTANT: To avoid cabinet damage, check with your builder or cabinet supplier to ensure the materials used will not discolor, delaminate, or sustain other damage. This oven complies with the requirements of UL and CSA International, and the maximum allowable wood-cabinet temperatures of 194 °F (90 °C).

Single ovens

Product dimensions



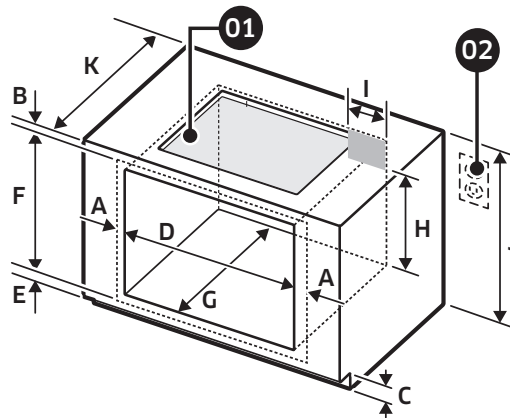
DIMENSION		
A	28 ⁴ / ₅ " (73.1 cm)	Overall height (Recessed height in Flush installation)
B	28 ¹ / ₂ " (72.4 cm)	Recessed width
C	27 ¹ / ₅ " (69.1 cm)	Recessed height
D-1	23 ³ / ₈ " (58.7 cm)	Recessed depth _Standard installation
D-2	24 ² / ₅ " (62.0 cm)	Recessed depth _Flush installation
E	29 ³ / ₄ " (75.6 cm)	Door width
F	47 ¹ / ₄ " (120 cm)	Conduit length
G	30" (76.2 cm)	Overall width (Handle width)
H	2 ¹ / ₅ " (5.6 cm)	Handle depth

Installation requirements

Standard cabinet dimensions

Under counter

- 01** Gas or Electric cooktops may be installed over this oven. See cooktop installation instructions for cutout size. See label on top of approved cooktop models.
- 02** Gas and Electrical Connections for Gas Cooktop Must be Located in an Adjacent Accessible Location to the Right.

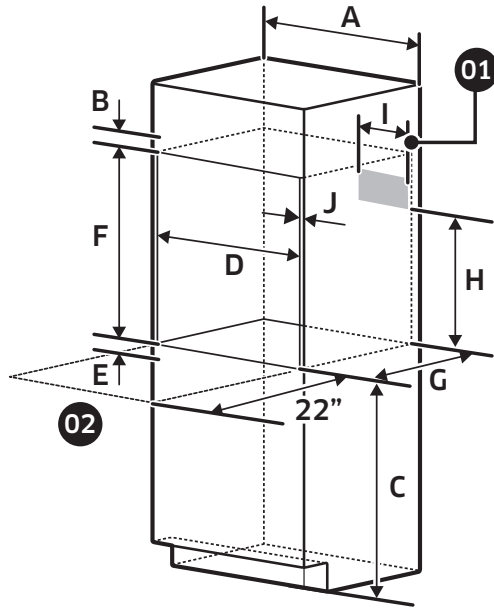


Cabinet	DIMENSION
A	Min. $1\frac{1}{16}$ " (1.75 cm) - Overlap of Over Side Edges of Cutout
B	Min. $1\frac{3}{8}$ " (3.5 cm)
C	4" (10.1 cm)
D	Min. $28\frac{1}{2}$ " / Max. $28\frac{5}{8}$ " (Min. 72.4 cm / Max. 72.7 cm)
E	Min. 1" / Max. $1\frac{1}{4}$ " (Min. 2.5 cm / Max. 3.2 cm)
F	Min. $27\frac{1}{4}$ " / Max. $27\frac{3}{8}$ " (Min. 69.2 cm / Max. 69.5 cm)
G	24" (61 cm)
H	Min 22" (Min 55.9 cm)
I	Max. $9\frac{1}{2}$ " (Max. 24.1 cm) - Junction Box
J	36" (91.4 cm) Counter top Height
K	25" (63.5 cm)

Wall Mount

01 Junction Box

02 Allow a minimum of 22" for clearance to adjacent corners, drawers, walls, etc. when door is open.



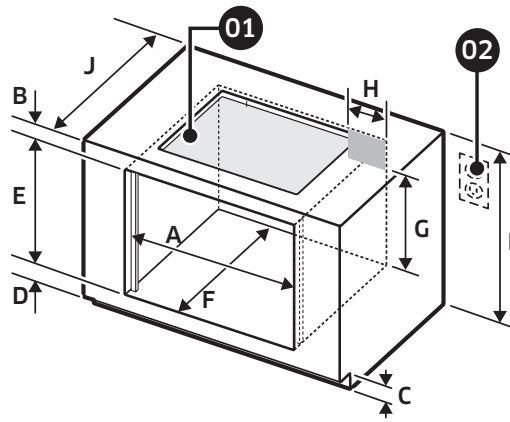
Cabinet	DIMENSION
A	30" (76.2 cm)
B	Min. 1 ³ / ₈ " (3.5 cm)
C	Min. 31" (Min 78.7 cm)
D	Min. 28 ¹ / ₂ " / Max. 28 ⁵ / ₈ " (Min. 72.4 cm / Max. 72.7 cm)
E	Min. 1" / Max. 1 ¹ / ₄ " (Min. 2.5 cm / Max. 3.2 cm)
F	Min. 27 ¹ / ₄ " / Max. 27 ³ / ₈ " (Min. 69.2 cm / Max. 69.5 cm)
G	Min. 23 ¹ / ₂ " (Min. 59.7 cm)
H	Min. 22" (Min. 55.9 cm)
I	Max. 9 ¹ / ₂ " (Max. 24.1 cm) - Junction Box
J	Min. 1 ¹ / ₁₆ " (1.75 cm) - Wooden cabinet thickness

Installation requirements

Flush cabinet dimensions

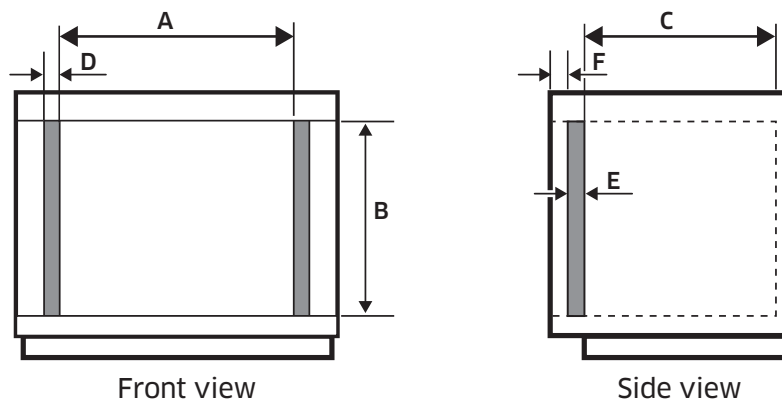
Under counter

- 01** Gas or Electric cooktops may be installed over this oven. See cooktop installation instructions for cutout size. See label on top of approved cooktop models.
- 02** Gas and Electrical Connections for Gas Cooktop Must be Located in an Adjacent Accessible Location to the Right.



Cabinet	DIMENSION
A	Min. 30 ¹ / ₅ " / Max. 30 ³ / ₁₀ " (Min. 76.7 cm / Max. 76.9 cm)
B	Min. 1 ³ / ₈ (3.5 cm)
C	4" (10.1 cm)
D	Min. 1" / Max. 1 ¹ / ₄ " (Min. 2.5 cm / Max. 3.2 cm)
E	Min. 29" / Max. 29 ¹ / ₈ " (Min. 73.7 cm / Max. 74.0 cm)
F	Min. 24 ⁴ / ₅ " (Min. 63 cm)
G	Min 22" (Min 55.9 cm)
H	Max. 9 ¹ / ₂ " (Max. 24.1 cm) - Junction Box
I	36" (91.4 cm) Counter top Height
J	25 ⁴ / ₅ " (65.5 cm)

Cleat dimensions



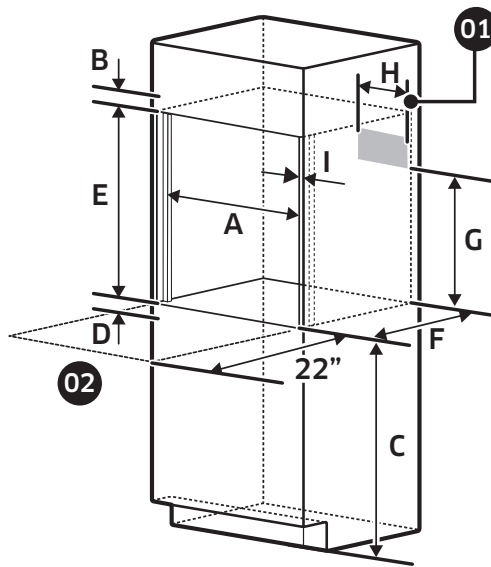
Cabinet	DIMENSION	
A	Min. 28½" (Min. 72.4 cm)	Distance
B	29" (73.7 cm)	Height
C	Min. 22¼" (Min. 57.9 cm)	Distance
D	⅘" (2 cm)	Width
E	⅞" (1.8 cm)	Depth
F	1⅜" (3.3 cm)	Distance

Installation requirements

Wall Mount

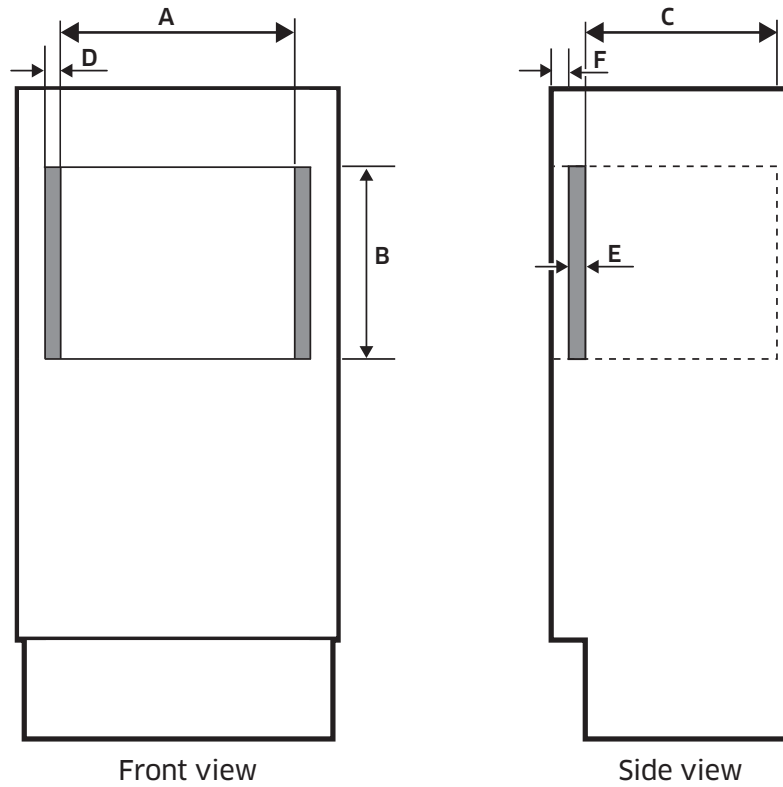
01 Junction Box

02 Allow a minimum of 22" for clearance to adjacent corners, drawers, walls, etc. when door is open.



Cabinet	DIMENSION
A	Min. 30 ¹ / ₅ " / Max. 30 ³ / ₁₀ " (Min. 76.7 cm / Max. 76.9 cm)
B	Min. 1 ³ / ₈ " (3.5 cm)
C	Min. 31" (Min 78.7 cm)
D	Min. 1" / Max. 1 ¹ / ₄ " (Min. 2.5 cm / Max. 3.2 cm)
E	Min. 29" / Max. 29 ¹ / ₈ " (Min. 73.7 cm / Max. 74.0 cm)
F	Min. 24 ⁴ / ₅ " (Min. 63 cm)
G	Min. 22" (Min. 55.9 cm)
H	Max. 9 ¹ / ₂ " (Max. 24.1 cm) - Junction Box
I	Min. 1 ¹ / ₁₆ " (1.75 cm) - Wooden cabinet thickness

Cleat dimensions

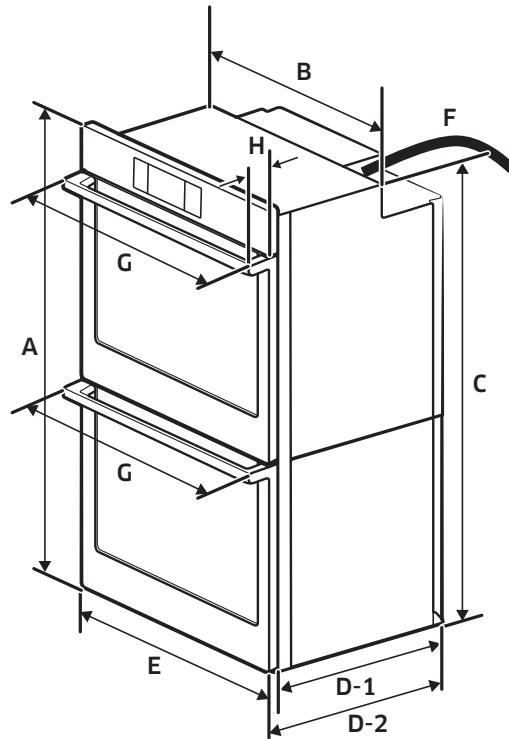


Cabinet	DIMENSION	
A	Min. 28½" (Min. 72.4 cm)	Distance
B	29" (73.7 cm)	Height
C	Min. 22⅘" (Min. 57.9 cm)	Distance
D	⅘" (2 cm)	Width
E	⅞" (1.8 cm)	Depth
F	1⅜" (3.3 cm)	Distance

Installation requirements

Double ovens

Product dimensions

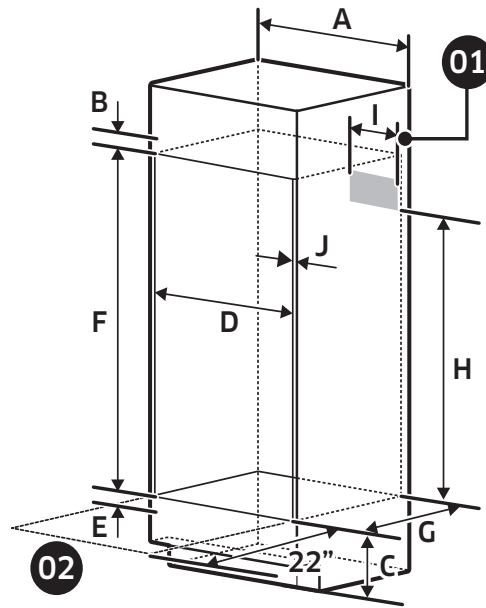


DIMENSION		
A	51½" (130.7 cm)	Overall height (Recessed height in Flush installation)
B	28½" (72.4 cm)	Recessed width
C	49⅞" (126.7 cm)	Recessed height
D-1	23⅛" (58.7 cm)	Recessed depth_Standard installation
D-2	24⅖" (62.0 cm)	Recessed depth_Flush installation
E	29¾" (75.6 cm)	Door Width
F	67" (170 cm)	Conduit length
G	30" (76.2 cm)	Overall width (Handle width)
H	2⅕" (5.6 cm)	Handle Depth

Standard cabinet dimensions

01 Junction Box

02 Allow a minimum of 22" for clearance to adjacent corners, drawers, walls, etc. when door is open.



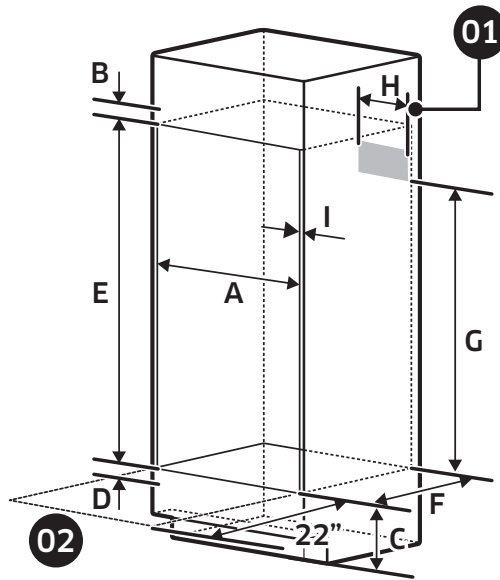
Cabinet	DIMENSION
A	30" (76.2 cm)
B	Min. 1 ³ / ₁₆ " (3.0 cm)
C	12" (30.5 cm)
D	Min. 28 ¹ / ₂ " / Max. 28 ⁵ / ₈ " (Min. 72.4 cm / Max. 72.7 cm)
E	Min. 1" / Max. 1 ¹ / ₄ " (Min. 2.5 cm / Max. 3.2 cm)
F	50 ¹ / ₄ " (127.6 cm)
G	Min. 23 ¹ / ₂ " (Min. 59.7 cm)
H	Min 47" (Min. 119.4 cm)
I	Max. 9 ¹ / ₂ " (Max. 24.1 cm) - Junction Box
J	Min. 1 ¹ / ₁₆ " (1.75 cm) - Wooden cabinet thickness

Installation requirements

Flush cabinet dimensions

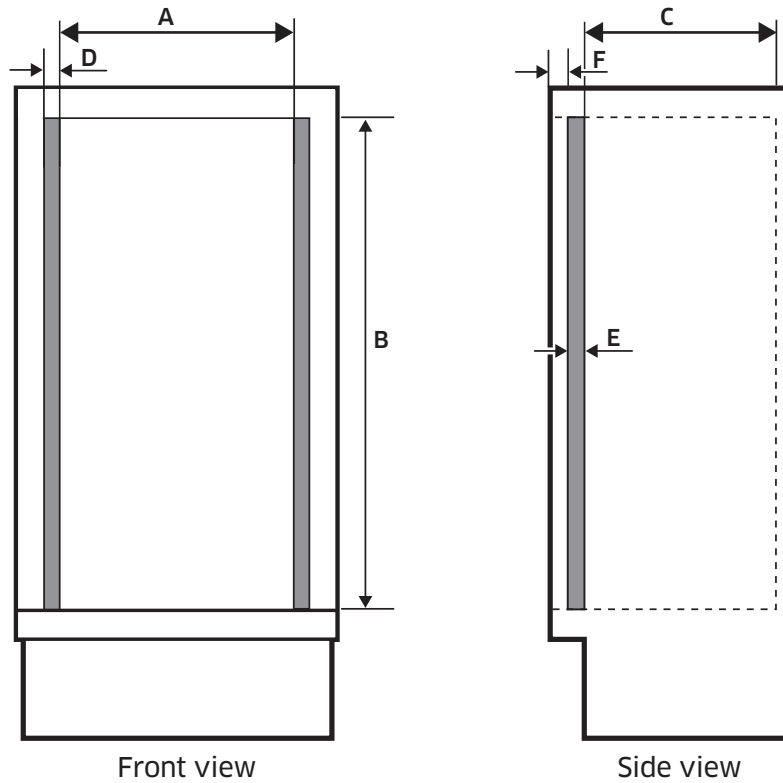
01 Junction Box

02 Allow a minimum of 22" for clearance to adjacent corners, drawers, walls, etc. when door is open.



Cabinet	DIMENSION
A	Min. 30 ¹ / ₅ " / Max. 30 ³ / ₁₀ " (Min. 76.7 cm / Max. 76.9 cm)
B	Min. 1 ³ / ₁₆ " (3.0 cm)
C	12" (30.5 cm)
D	Min. 1" / Max. 1 ¹ / ₄ " (Min. 2.5 cm / Max. 3.2 cm)
E	51 ⁴ / ₅ " (131.6 cm)
F	Min. 24 ⁴ / ₅ " (Min. 63 cm)
G	Min 47" (Min. 119.4 cm)
H	Max. 9 ¹ / ₂ " (Max. 24.1 cm) - Junction Box
I	Min. 1 ¹ / ₁₆ " (1.75 cm) - Wooden cabinet thickness

Cleat dimensions



Cabinet	DIMENSION	
A	Min. 28½" (Min. 72.4 cm)	Distance
B	51¼" (131.6 cm)	Height
C	Min. 22¼" (Min. 57.9 cm)	Distance
D	¾" (2 cm)	Width
E	⅞" (1.8 cm)	Depth
F	1⅜" (3.3 cm)	Distance

Installation requirements

If codes permit and a separate ground wire is used, a qualified electrician should verify that the ground path and the wire gauge comply with local codes. Check with a qualified electrical installer if you are unsure the oven is properly grounded.

This oven must be connected to a grounded, metal permanent wiring system. Ensure the electrical connection and wire size are adequate and comply with the National Electrical Code, ANSI/NFPA 70-latest edition or CSA Standards C22. 1-94, Canadian Electrical Code, Part 1 and C22.2 No. O-M91-latest edition, and all local codes and ordinances, a copy of which can be obtained from:

National Fire Protection
Association 1 Batterymarch Park
Quincy, MA 02169-7471

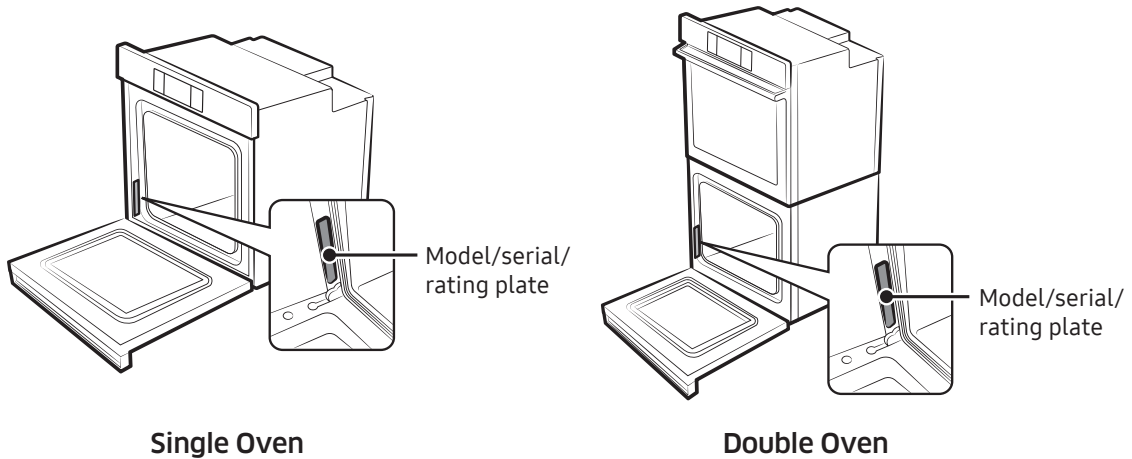
or

CSA International
8501 East Pleasant Valley Rd
Cleveland, OH 44131-5575

Electrical Connection

For proper installation, you must determine the type of electrical connection you will use and follow the directions in this manual.

- The oven must be connected to the proper electrical voltage and frequency as given on the model/serial/rating plate, which is on the bottom-left door trim.



Single Oven

Double Oven

- A circuit breaker is recommended.
- Use this chart to determine the minimum recommended dedicated circuit protection.

KW Rating (240 V)	KW Rating (208 V)	Recommended Circuit Size (Dedicated)
≤4.8 KW	≤4.1 KW	20 Amp
4.9 KW - 7.5 KW	4.3 KW - 6.2 KW	30 Amp
7.3 KW - 9.6 KW	6.3 KW - 8.3 KW	40 Amp
9.7 KW - 12.0 KW	8.4 KW - 10.4 KW	50 Amp

- Connect directly to the circuit-breaker box (or fused disconnect) through flexible, armored- or nonmetallic-sheathed, copper cable with ground wire. (See **Electrical Connection**.)

Installation requirements

- Flexible conduit from the oven should be connected directly to the junction box and both sides of the line fused.
- Do not cut the conduit. The oven should be removable for service without disconnecting the conduit.
- A UL-listed or CSA-approved conduit connector is required.
- If the house has aluminum wiring:
 1. Connect a section of solid copper wire to the ends of the flexible conduit leads.
 2. Connect the aluminum wiring to the added section of copper wire using special connectors and/or tools designed and UL listed for joining copper to aluminum.

Follow the electrical connector manufacturer's recommendations. Aluminum/copper connection must conform with local codes and industry-accepted wiring practices.

Power requirements for models DOB30M977D*, and DOB30M977S*, appear in this table:

Model	240 VAC	208 VAC
	kW	kW
DOB30M977D*	11.2	8.4
DOB30M977S*	5.6	4.2

Installation instructions

Prepare built-in oven

WARNING

Avoid personal injury and property damage. Use at least two people to move/install the oven.

1. Decide on the oven's installation site. Take care not to drill/cut into house wiring.
2. To avoid flooring damage, set the oven on cardboard prior to installation. Do not lift by the door handle or front frame.
3. Remove all shipping material. Keep any packing material that may be needed for installation.
4. Remove the hardware package from the bag containing the product literature.
5. Remove racks and other loose parts from inside the oven.
6. Move the oven and cardboard close to the oven's installation site.

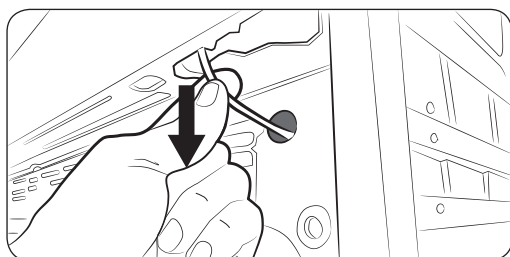
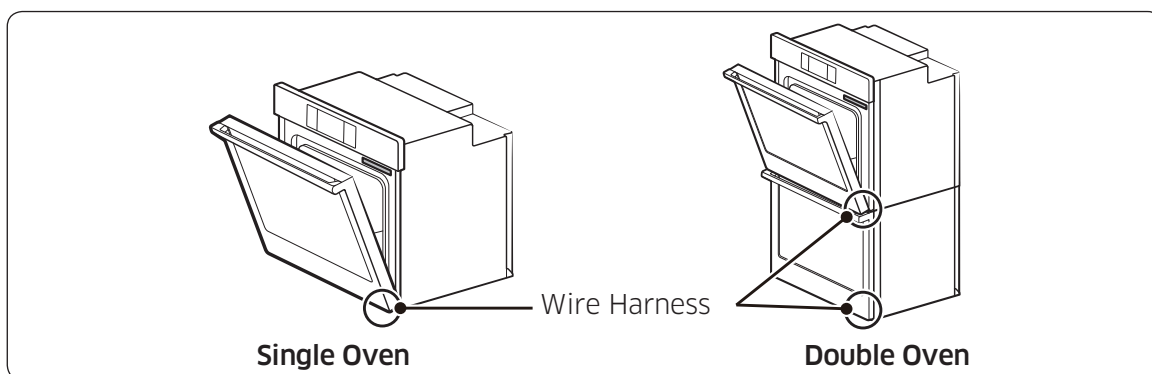
Installation instructions

Remove and replace oven door(s)

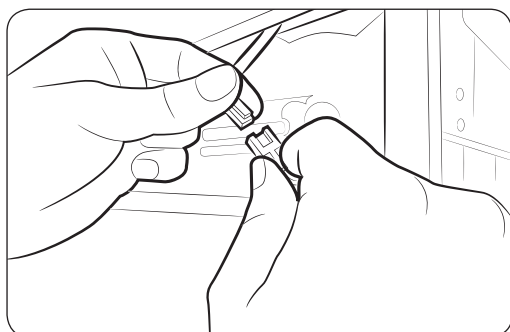
IMPORTANT: Remove the oven door(s) with two hands. Before removing the door, cover a flat surface with a soft blanket (or use the corner posts from your packaging material) on which you will place the door(s).

Disconnect the LED wire harness

Before removing the door, disconnect this harness.

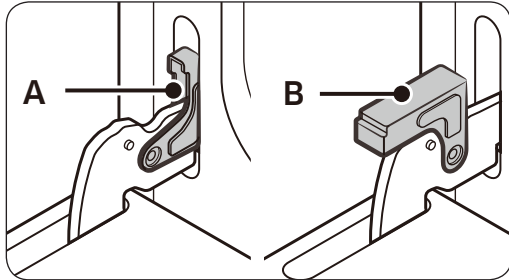


1. Carefully pull the wire to reveal the connector.



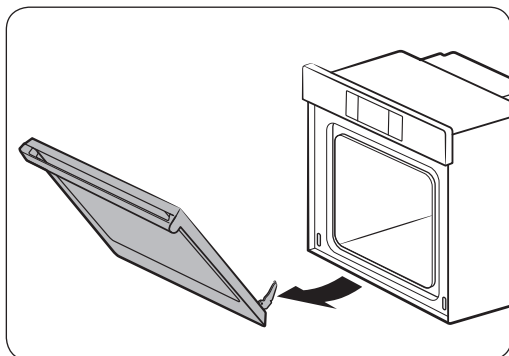
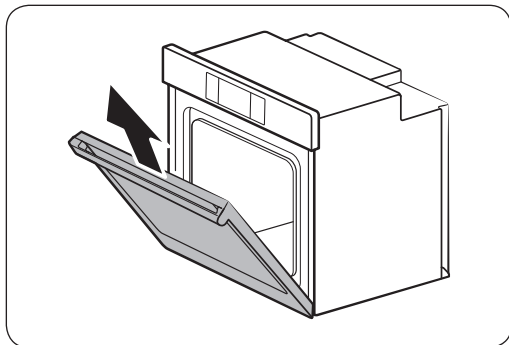
2. Uncouple the connector.

Remove oven door(s)



A. Hinge lock in locked position

B. Hinge lock in unlocked position



1. Open the oven door.
2. Find the oven door-hinge locks on both sides of the oven door; flip the locks 90° outward to unlock them (B, left). If the lock is not fully out, the door will not remove properly.

3. Partially close the door to engage the hinge locks. (The door stops.)

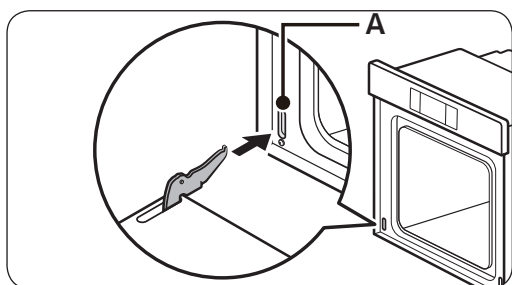
4. Grasp the sides of the oven door below the handle. Lift the door away from the oven. (If needed, gently jiggle the door side to side.)
5. Set the door(s), handle down, on the area you prepared.

Installation instructions

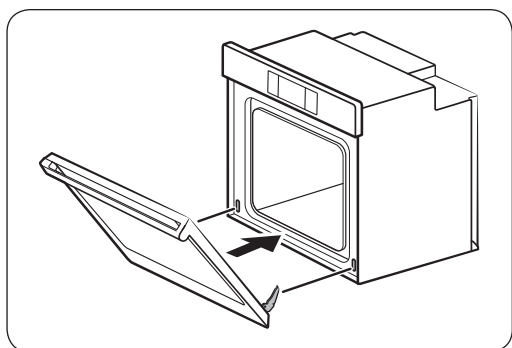
Replace oven door(s)

CAUTION

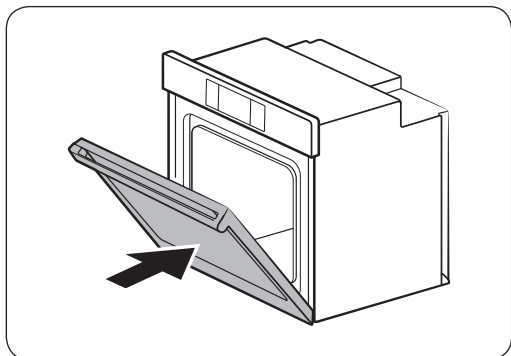
The door is very heavy. You may need help lifting the door high enough to slide it into the hinge slots. Do not lift the door by the handle.



A. Slot in the oven cavity for door hinge lock



1. With two hands, grasp each side of the door below the handle, and face the oven chamber.
2. At a 45° angle, align the door hinges with their slots on the sides of the oven chamber. Slowly insert door, maintaining the 45° angle. A slight drop indicates the door has engaged.



3. Open the door fully. If the door does not open 90°, repeat Steps 1 – 3.
4. Flip the hinge locks 90° inward to lock them. [See graphic A in **Remove oven door(s)**, Step 1 for the locked position.]
5. Close the oven door. (With the hinges properly installed and the door closed, there is an even gap between the door and the control panel. If one side of the door is lower than the other, the hinge on the low side is not properly installed.)
6. Connect the wire harness.

Installation instructions

Electrical connection

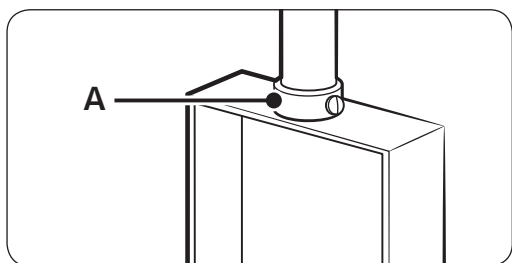
Double Ovens

⚠ WARNING

Electric Shock Hazard

- Disconnect power before servicing.
- Use 8-gauge solid copper wire.
- Make sure the oven is grounded.
- Failure to follow these directions can result in electric shock, fire, or death.

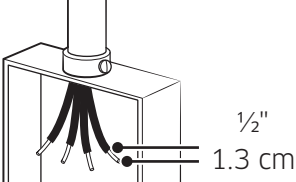
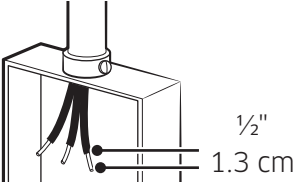
This oven is manufactured with a neutral (white) power supply wire and a cabinet-connected ground (green or bare) wire twisted together.



A. UL listed or CSA approved conduit connector

1. Disconnect power.
2. Feed the oven's flexible conduit through the drilled hole in the cabinet.
3. Remove the junction box cover.
4. Install a UL-listed or CSA-approved conduit connector to the junction box.
5. Route the oven conduit through the conduit connector, and tighten connector screws.
6. See the **Electrical Connection Options Chart**, pg. 31, to complete the electrical connection.

Electrical Connection Options Chart

If your home has:	Go to section:
<p data-bbox="366 491 452 519">4-wire</p> 	<p data-bbox="648 587 1145 614">4-Wire Cable from Home Power Supply</p>
<p data-bbox="366 732 452 759">3-wire</p> 	<p data-bbox="648 832 1145 859">3-Wire Cable from Home Power Supply</p>

Single Ovens

⚠ WARNING
Electrical Shock Hazard

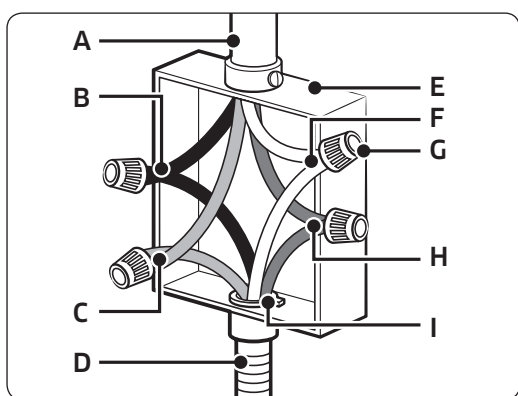
- Disconnect power before servicing.
- Use 8-gauge solid copper wire.
- Make sure the oven is grounded.
- Failure to follow these directions can result in electric shock, fire, or death.

Installation instructions

4-Wire Cable from Home Power Supply

IMPORTANT: Use the home power supply's 4-wire cable in:

- The US (where local codes do not allow neutral grounding)
- New branch circuit installations (1996 NEC)
- Mobile homes and recreational vehicles
- New construction
- Canada.

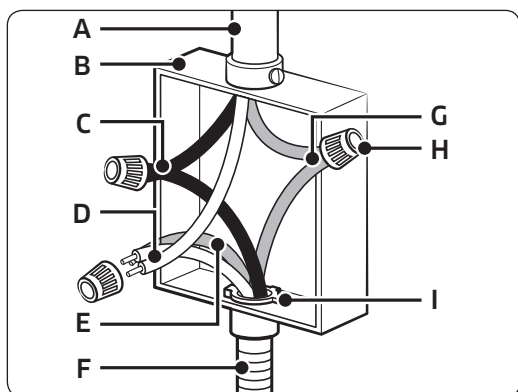


- A. Cable from home power supply
- B. Black wires (normally L1)
- C. Red wires (normally L2)
- D. 4-wire flexible conduit from oven
- E. Junction box
- F. White wires (normally N-neutral)
- G. UL listed wire connectors
- H. green wires (normally G-ground)
- I. UL listed or CSA approved conduit connector

1. Connect the 2 black wires (B) with a UL-listed wire connector.
2. Connect the 2 red wires (C) with a UL-listed wire connector.
3. Untwist the white wire from the oven's green (bare) ground wire .
4. Connect the 2 white wires (F) with a UL-listed wire connector.
5. Connect the oven's green (bare) ground wire (H) to the junction box's green (bare) ground wire with a UL-listed wire connector.
6. Attach the junction-box cover.

3-Wire Cable from Home Power Supply - U.S. Only

IMPORTANT: Use the 3-wire cable from home power supply where local codes permit a 3-wire connection.

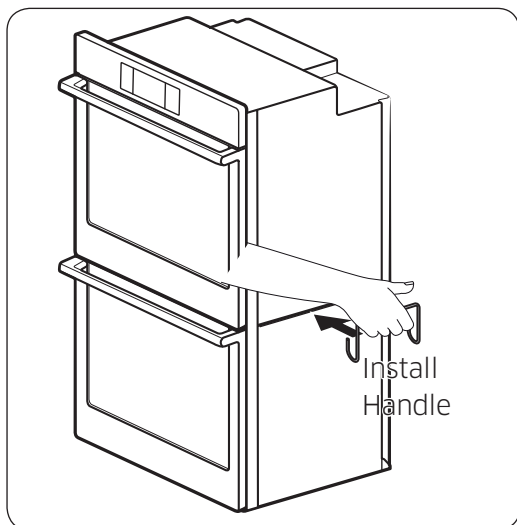


1. Connect the 2 black wires (C) with a UL-listed wire connector.
2. Connect the 2 white wires (D) and the oven's green (bare) ground wire with a UL-listed wire connector.
3. Connect the 2 red wires (G) with a UL-listed wire connector.
4. Attach the junction-box cover.

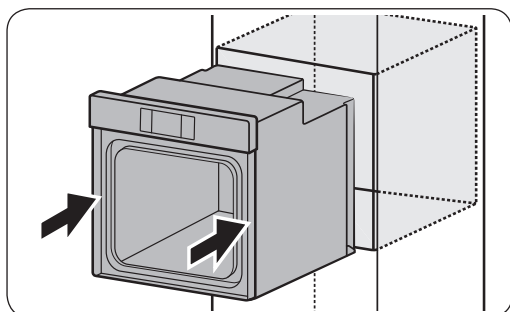
- A. Cable from home power supply
- B. Junction box
- C. Black wires (normally L1)
- D. White wires (normally N-neutral)
- E. green wires (normally G-ground)
- F. 4-wire flexible conduit from oven
- G. Red wires (normally L2)
- H. UL listed wire connectors
- I. UL listed or CSA approved conduit connector

Installation instructions

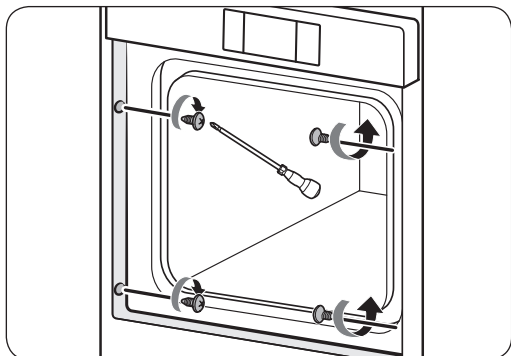
Install oven



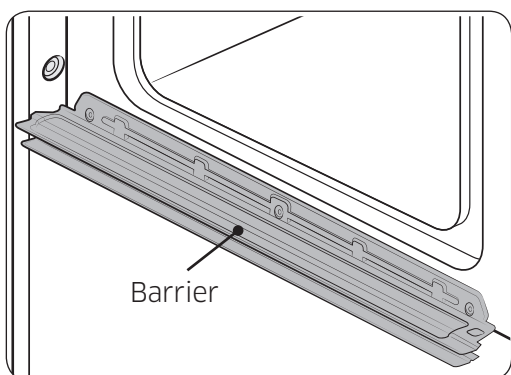
1. Hang the install handles on the oven's side hook, and with 2 or more people, lift the oven partway into the cutout
2. Remove the install handles.



3. Carefully pushing on its front frame, slide the oven into the cutout until the back of the front frame touches the cabinet face or (for a flush install) the cleat.



3. Center the oven side to side, and remove the tape from the front trim.
 - Align holes in the trim with holes in the frame, and with the provided screws, fasten the oven to the cabinet (snugly but not over tight.)





⚠ WARNING
Take care not to damage the barrier underneath.

Installation instructions

Self-diagnosis

1. After connecting the power, verify that the display works properly.
2. Remove all accessories (Gliding Rack, Flat-Rack, etc) from the oven chamber.
3. You cannot proceed with self-diagnosis if the oven cavity is hot or the door is open. **Hot or door** appears on the display.
4. To start self-diagnosis, press both Hidden Keys simultaneously for 5 seconds.
 - See the table below for each model's hidden keys.
 - Self-diagnosis takes 4-5 minutes.

Model	DOB30M977D*
Control panel	
Hidden Key	UPPER OVEN + LOWER OVEN

Model	DOB30M977S*
Control panel	
Hidden Key	SETTINGS + OPEN/CLOSE RESERVOIR

5. If there is no error, 'PASS' appears on the display with an alert sound.
6. If there is an error, following message appears on the display with an alert sound.

Model		DOB30M977**	
		Error code	Remark
Feature	Upper Broil	H-2	Double/Single Oven
	Upper Bake	H-1	
	Lower Broil	H-4	Double Oven Only
	Lower Bake	H-3	

7. If an error occurs, contact a Samsung service center for further service.

 **NOTE**

Please contact a Dacor service center. call e.g. 1-800-DACOR (793-0093)

Memo

Memo

Memo



DG68-00923A-00

dacor[®]