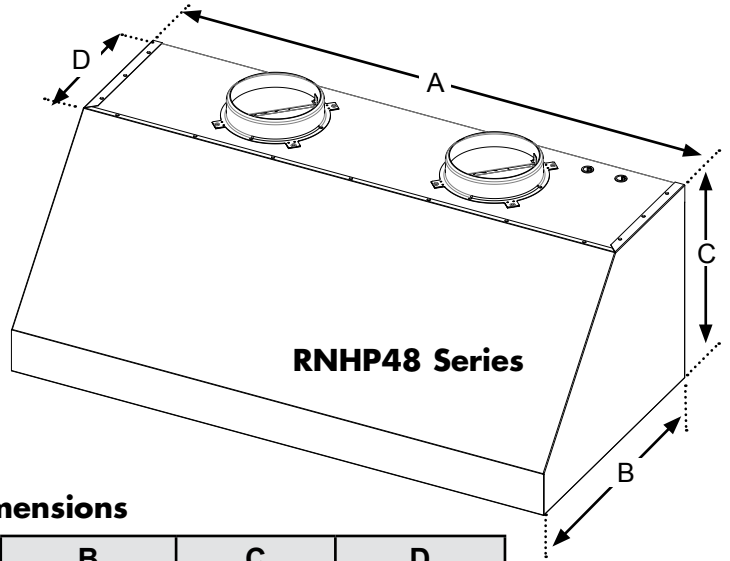
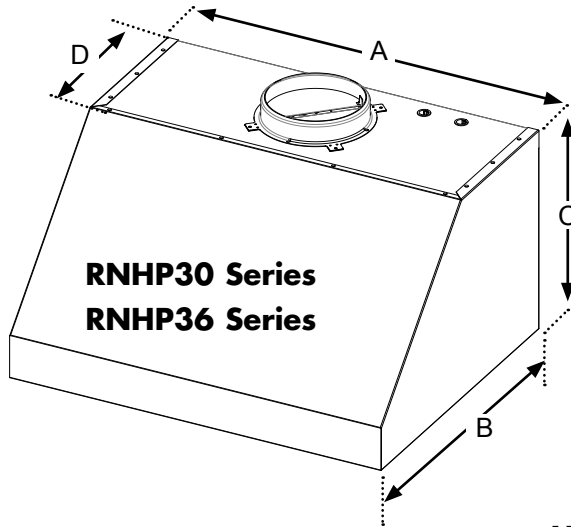


RNHP



Renaissance® 30", 36", 48" Wide Wall Mount Range Hood

PLANNING GUIDE



Hood Dimensions

Model	A	B	C	D
RNHP3012	29 7/8" (75.9 cm)	24" (61 cm)	12" (30.48 cm)	11 7/8" (30.2 cm)
RNHP3612	35 7/8" (91.1 cm)			
RNHP4812	47 7/8" (121.6 cm)			
RNHP3018	29 7/8" (75.9 cm)	24" (61 cm)	18" (45.7 cm)	11 7/8" (30.2 cm)
RNHP3618	35 7/8" (91.1 cm)			
RNHP4818	47 7/8" (121.6 cm)			

Features

Model Number	RNHP48	RNHP36	RNHP30
Lights	4	3	2
Filters	4	3	2
Blowers	2	1	1
Exhaust Vents	2	1	1
Blower Rating	1200 CFM	600 CFM	600 CFM

Specifications

Features	Description
Blower Speeds	Four (4)
Filters	Baffle style, dishwasher safe
Exhaust(s)	8-inch duct diameter
Total Connect Load	120V, 60 Hz, 9 Amp. Max. (10.0 Amp max. surge)
Lights	Dimmable LED: PAR16 E26/27 120V, 7.5W (75W Max. other bulbs)

Model Number	Top Vent	Rear Vent	Rotatable Fan
RNHP3012	x	x	x
RNHP3018	x	x	x
RNHP3612	x	x	x
RNHP3618	x	x	x
RNHP4812	x	x	x
RNHP4818	x	x	x

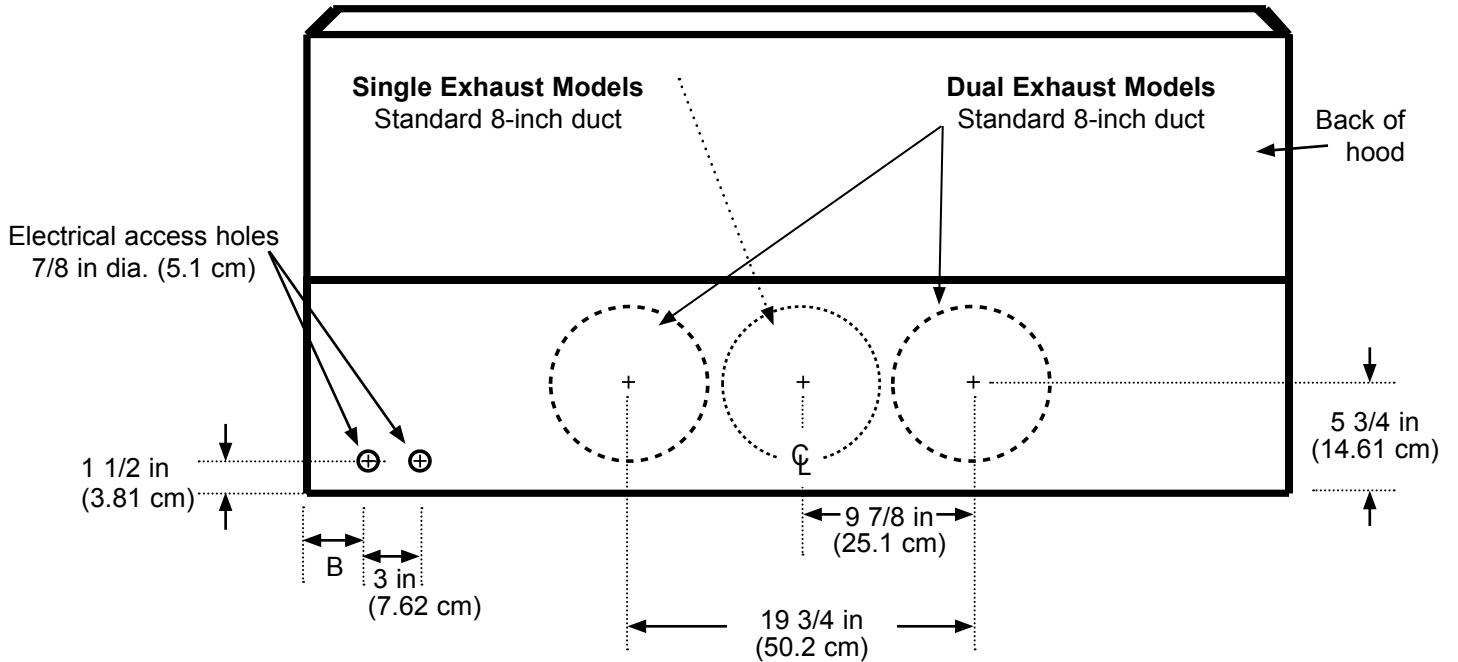
RNHP



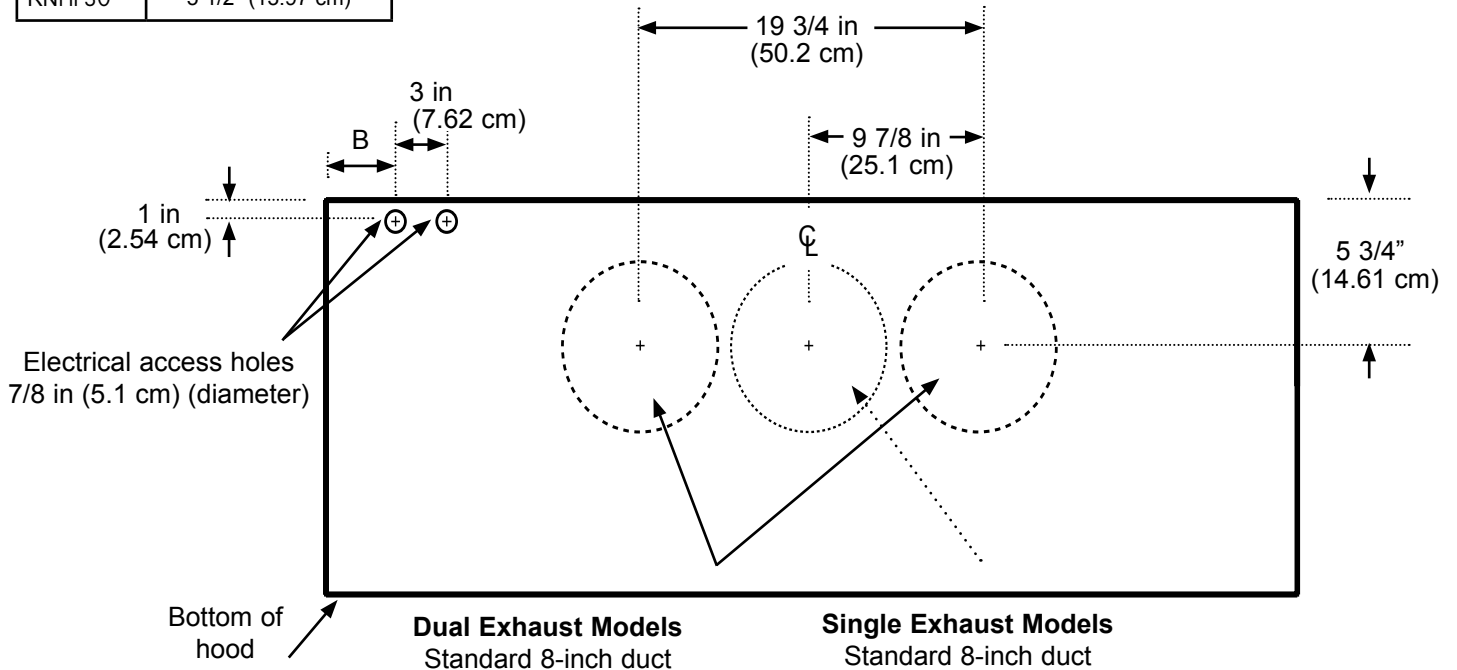
Renaissance® 30", 36", 48" Wide Wall Mount Range Hood

PLANNING GUIDE

Vent Exhaust Centerlines Electrical Access Cutout Dimensions



	B
RNHP48	5" (12.7 cm)
RNHP36	4 1/2" (11.43 cm)
RNHP30	5 1/2" (13.97 cm)



RNHP



Renaissance® 30", 36", 48" Wide Wall Mount Range Hood

PLANNING GUIDE

Meeting Installation Requirements

WARNING

Observe all governing codes and ordinances during planning and installation. Contact your local building department for further information. Use only ductwork deemed acceptable by state, municipal and local codes.

WARNING

To reduce the risk of personal injury caused by reaching over a hot appliance, cabinet storage space located directly above the range should be avoided.

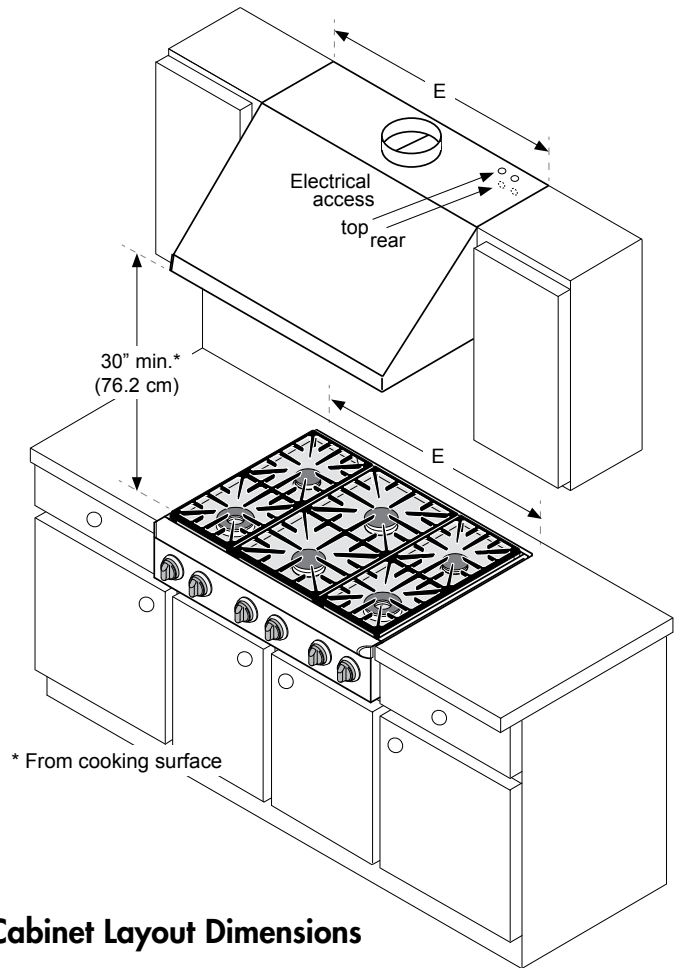
IMPORTANT

See the diagram for minimum installed distance from the hood to the cooktop surface. The minimum specified distance may be higher for the particular range or cooktop in use. Check the manufacturers specifications for the cooktop or range.

- The hood must be as wide as the cooktop surface or wider.
- Plan the installation so that all minimum dimensions are met or exceeded.
- Dimensions given are minimum clearances, unless otherwise noted.
- All contact surfaces between the hood and any cabinetry or walls must be sturdy, solid, and at right angles.
- Install the hood and cooking appliance(s) so that they can be removed if service is required.

Model	Weight
RNHP3012	51 lbs. (23 kg)
RNHP3018 RNHP3612	53 lbs. (24 kg)
RNHP3618	57 lbs. (26 kg)
RNHP4812	70 lbs. (32 kg)
RNHP4818	77 lbs. (35 kg)

All tolerances: +1/16" -0", unless otherwise stated.



Cabinet Layout Dimensions

Minimum Width of E: Upper Cabinet Cutout & Appliance Width	
Models	E
RNHP3012, RNHP3018	30 inches (76.2 cm)
RNHP3612, RNHP3618	36 inches (91.5 cm)
RNHP4812, RNHP4818	48 inches (121.9 cm)



Renaissance® 30", 36", 48" Wide Wall Mount Range Hood

PLANNING GUIDE

Planning the Ductwork

WARNING

- To prevent combustion by-products, smoke or odors from entering the home and to improve efficiency, tape all duct joints securely.
- Range hoods may interrupt the proper flow of smoke and combustion gases from furnaces, gas water heaters, and fireplaces. To avoid drawing lethal gases into the home, follow the manufacturer's recommendation for these devices and consult NFPA and ASHRAE recommendations.
- Failure to install a remote blower or proper ductwork may result in a backdraft and/or insufficient venting of smoke and fumes.
- **DO NOT** install an additional in-line or external blower to increase the length of the duct run. Even small differences between blower air flow rates can greatly reduce the air draw by the hood.

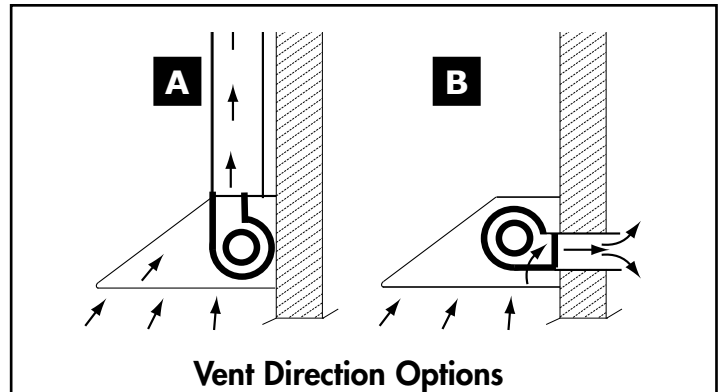
CAUTION

To reduce the risk of fire and to properly exhaust air, be sure to duct air outside the house or building. Do not vent exhaust air into spaces within walls or ceilings or into attics, crawl spaces or garages.

WARNING

During duct installation, make sure there are no obstructions that keep the damper flaps on the top of the hood from opening.

- ◇ Local building codes may require the use of makeup air systems with ventilation systems that move air greater than the specified movement rate (CFM).
The specified rate varies based on locale. Consult a qualified HVAC specialist when designing the system for the requirements in your area and to assure optimal performance.
- ◇ All ductwork materials (including screws and foil tape) must be purchased separately.
- ◇ Make sure ductwork does not interfere with floor joists or wall studs.
- ◇ Fasten all joints with sheet metal screws and seal with certified duct tape or foil tape.
- ◇ Two 8-inch exhausts may be merged into one 10-inch duct using Dacor transition kit AHT10.



Vent Direction Options

The factory default direction is through the **top A** of the hood. However, the blower can be rotated to vent through the **rear B** of the hood.

When planning new ductwork, always find the shortest, most direct route to the outside.

Duct Length Calculation Table

The maximum straight duct length for the hood is determined by the type of duct used. See the chart below.

Duct Size	Maximum Duct Run
8-inch Round	60 feet
10-inch Round	50 feet
3 1/4-in x 10-in Rectangular	50 feet

For each elbow and transition added, a certain length must be subtracted from the maximum duct run to compensate for wind resistance.

To determine your maximum length:

1. Start with the total max. length of your duct run, then
2. Subtract all of the ductwork equivalent lengths (see the chart below).

Ductwork Equivalent Lengths

Piece	Subtract	Piece	Subtract
8-inch 90° Elbow	7 feet	10-inch 90° Elbow	5 feet
8-inch 45° Elbow	3 feet	10-inch 45° Elbow	2 feet
3-in x 10-inch to Round 90° Transition	25 feet	3 1/4 in x 10 in to 8 in / 10 in Round Transition	4 feet
Roof Cap	*	Wall Cap with Damper	*

* The equivalent lengths of roof and wall caps vary with model and configuration.

