



Installation Instructions

Modernist Range Hood

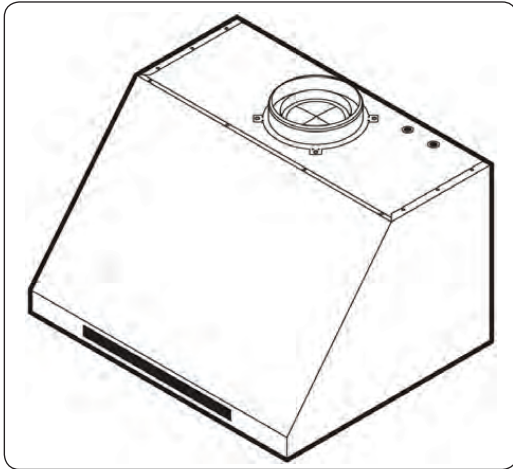
DHD30M967WM, DHD36M976WM, DHD48M987WM,
DHD30M967WS, DHD36M976WS, DHD48M987WS

Contents

Before you begin...	3
Important	3
Customer-service information	4
If You Need Help...	4
Important safety instructions	5
Related equipment safety	5
Important Information about safety instructions	5
Installation requirements	9
Checklist	9
Prepare to install hood	10
Installation Planning	12
Hood Dimension	12
Installation instructions	18
Meeting Electrical Codes	18
Preparation and Setup	19
Installing the Electrical Source	19
Meeting Installation Requirements	20
Planning the Ductwork	21
Planning the Mounting Location	24
Marking the Centerlines	25
Installing the Support Brackets	26
Blower Rotation (Rear Exhaust)	27
Remove and Replace parts	28
Assembling the Filters	30
Using the Dual-to-Single Transition Kit #AHT10	31
Hanging the Hood	33
Hardwiring the Hood	34
Inserting Light Bulbs	37
Attaching the Dacor Badge	37
Verifying the Setup	38
Wiring Diagram	40

Before you begin...

Important



Installer

- In the interest of safety and to minimize problems, read these installation instructions completely and carefully before you begin the installation process.
- Leave these installation instructions with the customer.

Customer

- Keep these installation instructions for future reference and the local electrical inspector's use.

Before you begin...

Customer-service information

If You Need Help...

...with questions or installation problems, contact your Dacor® dealer or the Dacor Customer-Service Team. For under-warranty repairs to Dacor appliances, call the Dacor Distinctive Service line. When you call, be prepared with the appliance's model and serial number. (See the appliance's data plate.)

Dacor Modernist Service (repairs under warranty only)

Phone: (800) 793-0093 ex. 2822 (U.S.A. and Canada)

Monday – Friday 6:00 a.m. to 4:00 p.m. Pacific Time

Dacor Customer Service

Phone: (800) 793-0093 ex. 2813 (U.S.A. and Canada)

Monday – Friday 6:00 a.m. to 5:00 p.m. Pacific Time

Web site: www.dacor.com

Appliance Data Plate

This label contains the model and serial numbers, and electrical requirements, and is inside the hood above the filters on the chassis' back wall. (Remove the filters to view the data plate.)

All specifications are subject to change without notice. Dacor assumes no liability for changes to specifications.

© 2017 Dacor, all rights reserved.

Important safety instructions

Related equipment safety

Remove all tape and packaging before using the appliance. Dispose of the packaging after unpacking the appliance. Never allow children to play with packaging material.

Never modify or alter the construction of the appliance. For example, do not remove panels, wire covers or screws.

⚠ DANGER

ELECTRICAL SHOCK HAZARD

To avoid risk of electrical shock, personal injury or death; verify your appliance has been properly grounded in accordance with local codes or in absence of codes, with the National Electrical Code (NEC). ANSI/NFPA 70-latest edition.

⚠ WARNING

MOVING HAZARD

To avoid risk of severe personal injury; this appliance requires two or more people while handling and moving. Use of appliance moving devices is recommended.

Important Information about safety instructions

- The **Important Safety Instructions** and warnings in these instructions are not meant to cover all possible problems and conditions that can occur. Use common sense and caution when installing, maintaining or operating this or any other appliance.
- Always contact the Dacor Customer Service Team about problems and conditions that you do not understand.

Important safety instructions

To reduce risk of fire, electric shock, serious injury or death when using your appliance, follow basic precautions, including the following:

⚠ WARNING

- Do not store or use combustible or explosive substances (e.g., gas, alcohol, paint thinner, aerosol cans) on nearby countertops or in adjacent cabinetry.

⚠ WARNING

TO AVOID THE POSSIBILITY OF FIRE, ELECTRIC SHOCK, PERSONAL INJURY, OR DEATH:

- Follow the directions in this manual exactly
- Use the hood only as intended by the manufacturer. If you have questions, contact the manufacturer.
- Before servicing/cleaning the hood, switch power off at service panel, and lock access to the panel to prevent power from being switched on accidentally. If access cannot be locked, securely fasten a prominent warning device, such as a tag, to the panel.
- Installation work and electrical wiring must be done by qualified person(s) according to applicable codes and standards, including fire-rated construction.
- Sufficient air is needed for proper combustion and exhaustion of cooktop gases to prevent backdraft; follow the cooktop manufacturer's guideline and safety standards such as those published by the National Fire Protection Assn (NFPA), and the American Society for Heating, Refrigeration and Air Conditioning Engineers (ASHRAE), and the local code authorities.
- When cutting or drilling into a wall or ceiling, take care not to damage electrical wiring and other hidden utilities.
- Ducted fans must always be vented to the outdoors.

⚠ WARNING

- Use the hood only as outlined in this manual. Do NOT use the hood to vent hazardous/explosive materials or vapors. If you have questions, contact Dacor (contact info on Pg. 4).
- If you receive a damaged product, immediately contact your dealer/builder. Do not install/use a damaged hood.
- Verify that the hood was properly installed and grounded by a qualified installer according to procedures in this guide. Have the installer show you the fuse or junction box so you can turn the power ON/OFF as needed.
- Install this appliance according to these instructions and the requirements specified by the manufacturer of the cooktop or range. Improper installation, adjustment, alteration, service, or maintenance can cause serious personal injury or property damage.

-
- Do not install/repair/replace any part of the range hood unless specifically recommended by the procedures in this guide. A qualified service technician should perform all other service. Contact the nearest Dacor authorized service representative at (800) 793-0093, or at www.dacor.com for examination, repair or adjustment.
 - Do not use an extension cord or adapter plug with this appliance.
 - To avoid risk of electric shock:
 - Before service is performed, switch power off at the fuse/junction box, and lock the electrical-panel door so power cannot be switched on. If the electrical panel cannot be locked, securely fasten a prominent warning device (e.g., tag) to the panel.
 - Before cleaning the hood, turn off the main power switch.
 - Read the Use and Care Manual completely before using the appliance. Clean the appliance only as instructed in the Use and Care Manual. Use only the cleaners specified.
 - Do not tamper with the controls.

WARNING

- ⚠ Never let the filters become blocked/clogged, or foreign objects (e.g., cigarettes, napkins) be sucked into the hood.
- To avoid a fire hazard:
 - If the appliance is by a window, do not use window coverings that could blow over the cooking surface and hood.
- Use only metal ducting.
- Always run the hood fans when using your range/cooktop.
- Never let children:
 - alone in the vicinity of an operating range/cooktop
 - sit/stand on/play with your range/cooktop/hood; or store items of interest to children above/around these appliances.
 - play with packaging materials; plastic bags can cause suffocation.
- The minimum vertical distance between the cooking surface and the bottom-most part of the hood must be at least 30" (76.2 cm). Consult the instructions in this manual for the minimum vertical distance in your specific case.
- Do not attempt to use this appliance during a continuous power outage.
- To reduce risk of a grease fire:
 - always turn the hood ON if cooking at high heat or when flambéing food (e.g., Crepes Suzette, Cherries Jubilee, Peppercorn Beef Flambé
 - clean ventilating fans frequently; do not let grease accumulate on the filter or other hood components

Important safety instructions

WARNING

- TO REDUCE RISK OF PERSONAL INJURY FROM A GREASE FIRE:
 - CAREFULLY SMOTHER FLAMES with a close-fitting lid, cookie sheet, or metal tray, then turn off the burner. If the flames do not die immediately, EVACUATE, THEN CALL THE FIRE DEPARTMENT.
 - NEVER PICK UP A FLAMING PAN.
 - DO NOT try to extinguish flames with water or wet dish cloths/towels; a violent steam explosion may result.
- (FOR GREASE FIRES) USE A FIRE EXTINGUISHER ONLY IF:
 - you have a Class ABC extinguisher and know how to operate it
 - the fire is small and contained in its area of origin
 - the fire department is being called
 - you can fight the fire with your back to an exit.

Installation requirements

Checklist

Use this checklist to verify that you have completed each step of the installation process. This can help you avoid mistakes.

WARNING

- To ensure a safe, correct installation, this checklist should be completed by the installer.
- The homeowner shall ensure the hood's proper installation.
 - The hood is properly attached to the wall as instructed beginning on Pg. 24.
 - Ducting is fully installed; joints are secured with sheet-metal screws and wrapped with foil tape. See Pg. 21-23.
 - The hood is wired/grounded as instructed and per all applicable electric codes. See Pgs. 18-19.
 - Filters are assembled as instructed on Pg. 30.
 - The setup was verified.
 - Any problems were noted on the warranty card or during the online warranty activation. The warranty card was completed and mailed, or the warranty activated online.

Installation requirements

Prepare to install the hood

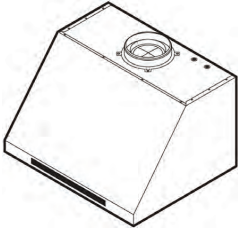
Have these tools and hardware within reach before you start the installation.

Hood Installation	
Phillips screwdriver	Level
Flathead screwdriver	Junction box
Pencil/marketing tool	Jigsaw
Wire connector caps	8" Ducting
Wire stripper	Foil tape
Drill, bits	Sheet-metal screws

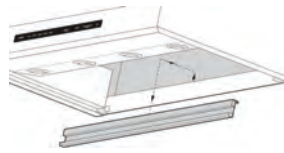
Dual-to-Single Vent Transition Kit (option)	
Dacor Kit #AHT10 (Model DHD48 only)	Sheet-metal screws
10" Ducts, ducting material	Foil tape
Drill, bits	

Blower Rotation (option)	
Phillips screwdriver	5/16" Nut driver

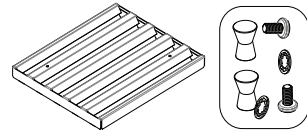
Parts List



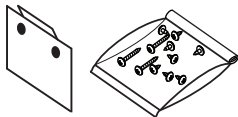
Hood (1)
(models vary in size)



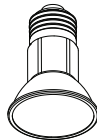
Grease channel (1)



Baffle-style filter*
48" (4), 36" (3), 30" (2)



Holding brackets, Hardware
(2)



Dimmable LED light bulbs
48" (4), 36" (3), 30" (2)



Light-replacement tool (1)



Product literature** (2)



Dacor cleaning cream (1)
stainless steel units only

* Ready-to-assemble kit

** Installation instruction, User manual.

Installation requirements

Installation Planning

- A qualified technician must complete the installation of this built-in appliance. Proper installation is the customer's responsibility.
- Carefully check the location where the Hood is to be installed. The Hood should be placed for convenient access. Make certain that electrical power can be provided in the selected location.
- Plan the installation so that all minimum clearances are met or exceeded. Dimensions shown provide minimum clearances, unless otherwise noted. Be certain that proper clearance is provided for the Hood when it is in the open position.
- The specified minimum cabinet depth and width must be provided.
- Make certain that you have everything necessary to ensure a proper installation before proceeding.

Hood Dimension

General Specifications

All Models: DHD30/36/48

Features	Description
Blower Speeds	Four (4)
Filters	Baffle style, dishwasher safe
Exhaust(s)	8" duct diameter
Total Connect Load	30", 36": 120V, 60 Hz, 15 Amp (actual load 3.3 Amp, 6 Amp initial surge)
	48": 120V, 60 Hz, 15 Amp (actual load 6.1 Amp, 12 Amp initial surge)
Lights	Dimmable LED: PAR16 E26/27; 120V, 7.5W (75W Max. other bulbs)

Individual Models: DHD30/36/48

Components	48"	36"	30"
Lights	4	3	2
Filters			
Blowers	2	1	1
Exhaust Vents			
Blower Rating	1200 CFM	600 CFM	600 CFM

Weight Specifications

Individual Models: DHD30/36/48

Model	Weight
30	53 lbs (24 kg)
36	57 lbs (26 kg)
48	77 lbs (35 kg)

Individual Models: DHD30/36/48

Model	Top Vent	Rear Vent	Rotatable Fan
30	X	X	X
36	X	X	X
48	X	X	X

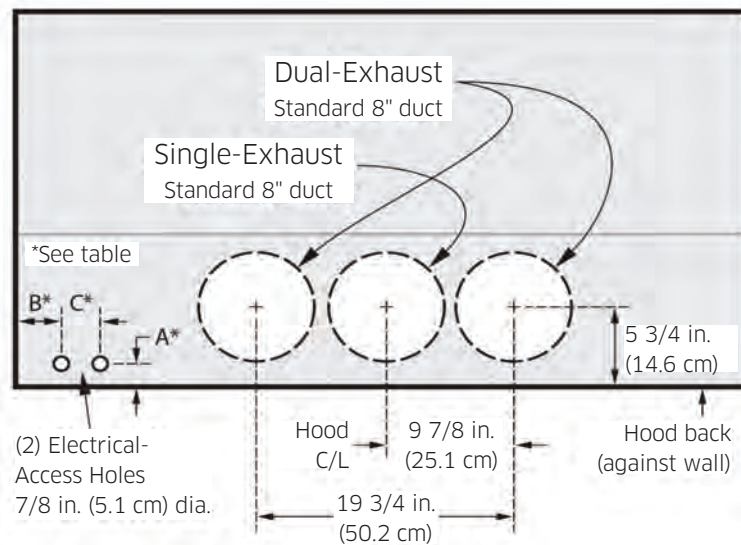
Installation requirements

Electrical/Ductwork Connections

Connect electrical wires and ductwork through the top or rear of the hood. Before installing the hood, mark the access holes according to the diagrams below.

(Tolerances: +1/16" -0", unless otherwise stated.)

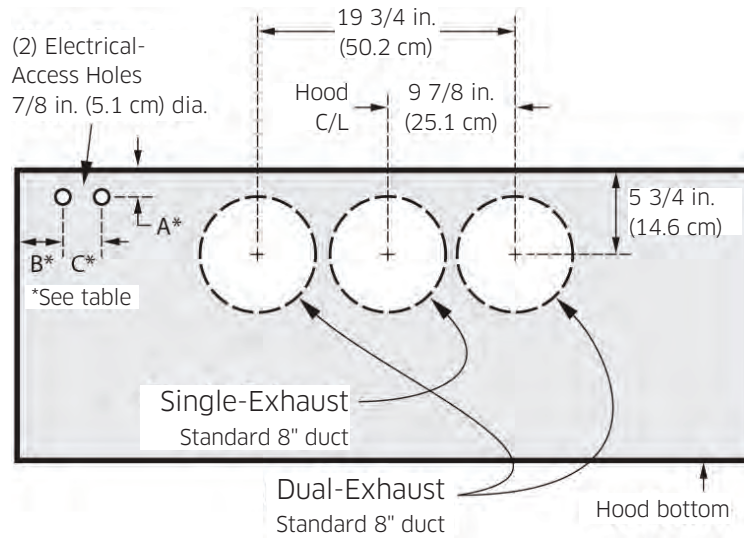
Top Connections: All models



Dimensions: Top Electrical Access Holes (DHD 30/36/48)

Model	A	B	C
48	1 1/2" (3.81 cm)	5" (12.7 cm)	3" (7.62 cm)
36	1 1/2" (3.81 cm)	4 1/2" (11.43 cm)	3" (7.62 cm)
30	1 1/2" (3.81 cm)	5 1/2" (13.97 cm)	3" (7.62 cm)

Rear Connections: All models



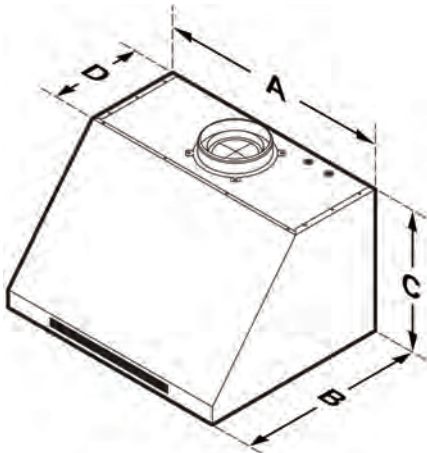
Dimensions: Rear Electrical Access Holes (DHD 30/36/48)

Model	A	B	C
48	1" (2.54 cm)	5" (12.7 cm)	3" (7.62 cm)
36	1" (2.54 cm)	4 1/2" (11.43 cm)	3" (7.62 cm)
30	1" (2.54 cm)	5 1/2" (13.97 cm)	3" (7.62 cm)

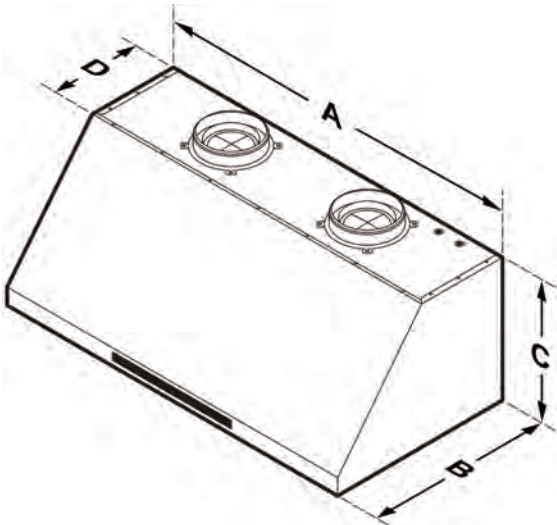
Installation requirements

Dimensions (Hood)

Tolerances: +1/16" -0" unless otherwise stated.



Single Blower DHD30/36 Series



Dual Blower DHD48 Series

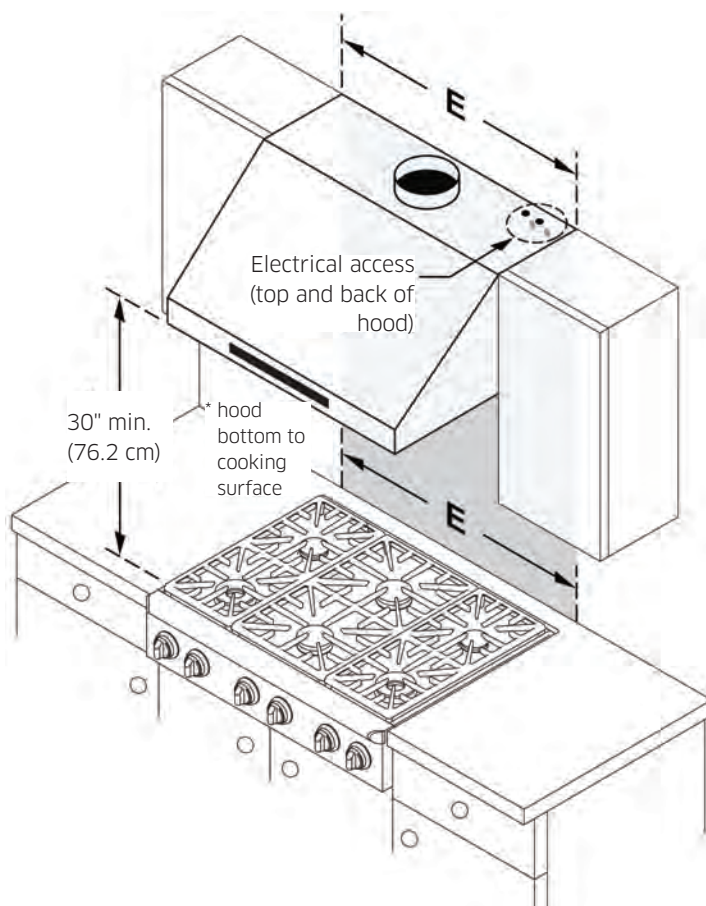
DHD Hood Dimensions

Model	A	B	C	D
30	29 7/8" (75.9 cm)	24" (61 cm)	18" (45.7 cm)	12" (30.5 cm)
36	35 7/8" (91.1 cm)			
48	47 7/8" (121.6 cm)			

Installation requirements

Cabinet-Layout Dimensions

All tolerances: +1/16" -0", unless otherwise stated.



Min. Width of E (Upper-Cabinet Cutout, Appliance Width)	
Model DHD	E
30	30" (76.2 cm)
36	36" (91.5 cm)
48	48" (121.9 cm)

Installation instructions

Meeting Electrical Codes

- The owner shall verify that all electrical requirements are met by the qualified electrician servicing this appliance.
- The electrical installation (incl. minimum supply-wire size and grounding) must comply with the National Electric code ANSI/NFPA (or latest revision), and local codes. Obtain a copy of the ANSI/NFPA standard from:
 - National Fire Protection Association
1 Batterymarch Park
Quincy, Massachusetts 02269-9101
- The ground terminal on the hood must be connected to a grounded, metallic, permanent wiring system, or a grounding conductor installed by a licensed electrician.
- Do not ground the appliance or appliance wiring to a gas pipeline or to the neutral (white) power supply wire.
- Do not install a fuse in the neutral or ground circuit.
- **Connect the hood directly to an electrical junction box.** Hard-wire the hood per local code directly to a dedicated, three-wire-grounded, single-phase circuit rated at 120 Vac 60 Hz, 15 Amp.

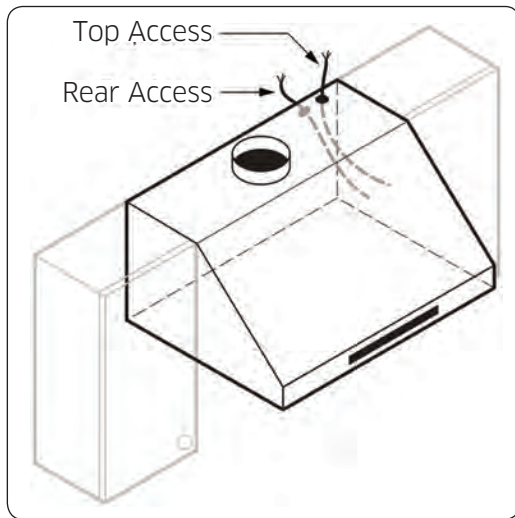
WARNING

Electrical Shock Hazard

Ensure a licensed electrician installs the electrical service to the range hood.

Preparation and Setup

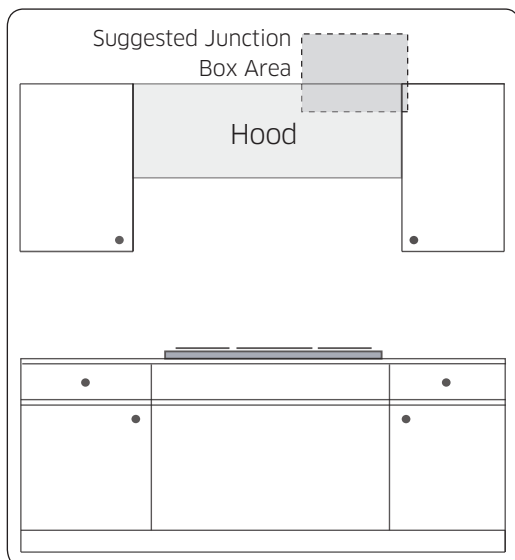
This diagram shows the top and rear locations for wire access into the hood.



See Wiring Diagrams at the end of this document.

Installing the Electrical Source

In compliance with local codes, install an electrical junction box near the hood's wiring access holes.



1. In the cabinet or wall, drill 7/8" holes through which to pass the electrical wiring.
2. See the last pages of this guide for wiring diagrams.

Installation instructions

Meeting Installation Requirements

- The hood must be at least as wide as the cooktop.
- All dimensions must meet or exceed specified minimums.
- Dimensions given are minimum clearances unless otherwise noted.
- All contact surfaces between the hood and cabinetry/walls must be sturdy, solid, and at right angles.
- Install the hood so it can be removed for service.

WARNING

- Follow local codes during planning/installation. Contact the local building department for details. Use only code-approved ductwork.
- To reduce risk of injury from reaching over a hot appliance, do not place cabinets directly over the range.

IMPORTANT: See the diagram on pg. 17 for the minimum installed distance from hood to cooktop surface. This distance depends on the range or cooktop in use. Check the manufacturer's specifications for the cooktop or range.

Planning the Ductwork

⚠ WARNING

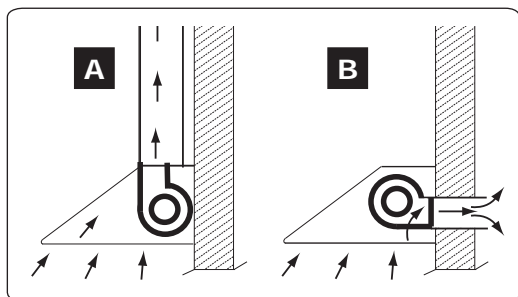
- To prevent combustion by-products, smoke, or odors from entering the home, and to improve efficiency, tape all duct joints securely.
- Range hoods may impede proper flow of smoke and combustion gases from furnaces, gas water heaters, and fireplaces. To avoid drawing lethal gases into the home, follow the manufacturer's directions for these devices and NFPA/ASHRAE recommendations.
- Failure to install a remote blower or proper ductwork may cause a backdraft and insufficient venting of smoke/fumes.
- **DO NOT** add an in-line or external blower to lengthen the duct. Even small differences between blower air-flow rates can greatly reduce the hood's air draw.

⚠ CAUTION

To reduce risk of fire and to properly exhaust air, duct air to the outdoors only (not into walls, attics, crawlspaces, or garages).

⚠ WARNING

During duct installation, ensure the damper flaps on top of the hood can open freely.



- Building codes may require makeup air systems to be used with ventilation systems that move air at greater than the specified rate (CFM), which rate depends on locale. In designing the system, consult an HVAC specialist for local requirements and to ensure best performance.

- All ductwork material (incl. screws and foil tape) must be purchased by the customer.
- Ductwork must not interfere with floor joists or wall studs.
- On dual-exhaust models, the two 8" exhausts may be merged into one 10" duct using Dacor Transition Kit AHT10.
- Fasten all joints with sheet-metal screws, and seal with certified duct/foil tape.
- Typically, the blower vents through the hood top (A, above); however, the blower can be rotated to vent through the rear (B, above). When planning ductwork, always find the shortest, most direct route to the outside.

Installation instructions

Duct-Length Calculation Table

The type of duct determines the hood's maximum straight duct length.

To determine your maximum length, start with the duct run's total max. length, then subtract all of the ductwork equivalent lengths. (See the chart.)

Duct Type	Max. Duct Run
8-in. Round	60 feet
10-in. Round	50 feet
3 1/4-in x 10-in Rectangular	

Ductwork Equivalent Lengths

For each new elbow and transition, you must subtract "equivalent lengths" from your total maximum duct run length to compensate for wind resistance.

Piece	Subtract
8" 90° Elbow	7 feet
8" 45° Elbow	3 feet
10" 90° Elbow	5 feet
10" 45° Elbow	2 feet
3" x 10" to Round 90° Transition	25 feet
3 1/4" x 10" to 8"/10" Round Transition	4 feet
Wall Cap w/Damper	*
Roof Cap	

*Equivalent lengths of roof and wall caps vary with model and configuration.

Ductwork Tips

- Try to minimize transitions/turns/sharp angles (e.g., two staggered 45° angles are better than one sharp 90° angle).
- Keep turns as far away from the hood exhaust as possible; keep as much space between bends as possible.
- For best performance, use round instead of rectangular ducting, especially when elbows are needed.
- If multiple elbows are used, try to keep at least 24 in. of straight duct between each elbow.
- Avoid using “S” or back-to-back adjacent elbows.
- In extremely cold-weather regions, use thermal breaks (i.e., short sections of non-metallic duct) to avoid indoor heat loss. Put the break as close to the outside pass-through point as possible.
- Do not use flexible metal ducting, or ductwork smaller than what the tables advise.
- The hood exhaust connects to an 8” round duct. You can increase the duct size over the duct run if desired.
- To prevent backdraft, never decrease the duct size over the run. If existing ductwork is less than 8 inches in diameter, replace it with 8” ductwork.
- Join ducting with sheet-metal screws, then seal with certified duct/foil tape. Never join ducting with tape only.
- Support the weight of the ducting with sheet-metal screws as needed.
- To avoid backdraft, a damper at the duct outlet may be required.

WARNING

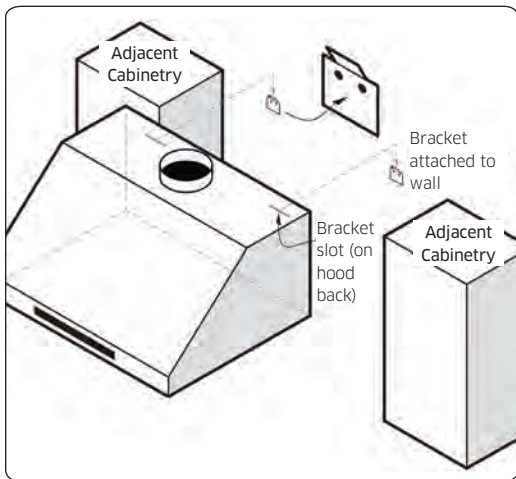
- Electricity to the range hood should be installed only by a licensed electrician.
- Observe all local codes during site preparation and installation. Contact your local building department for details.
- Improperly anchoring the hood to the wall may cause personal injury if the unit falls.
- To avoid electric-shock injury and property damage, do not drill/cut near in-wall plumbing and electrical wiring.
- Use the temporary holding brackets to support the hood only until the hood is permanently anchored.

Installation instructions

Planning the Mounting Location

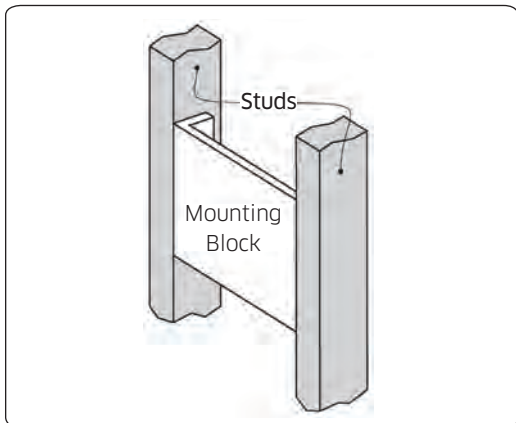
Holding brackets and hardware are provided to support the hood so you can permanently anchor it to the wall.

The illustrations below show the purpose of the holding brackets and the support behind the wall.



- (If mounting the hood to brick or masonry) Select anchors that can support the hood's full weight.
- Ensure the mounting surface is properly reinforced to support the hood's full weight.

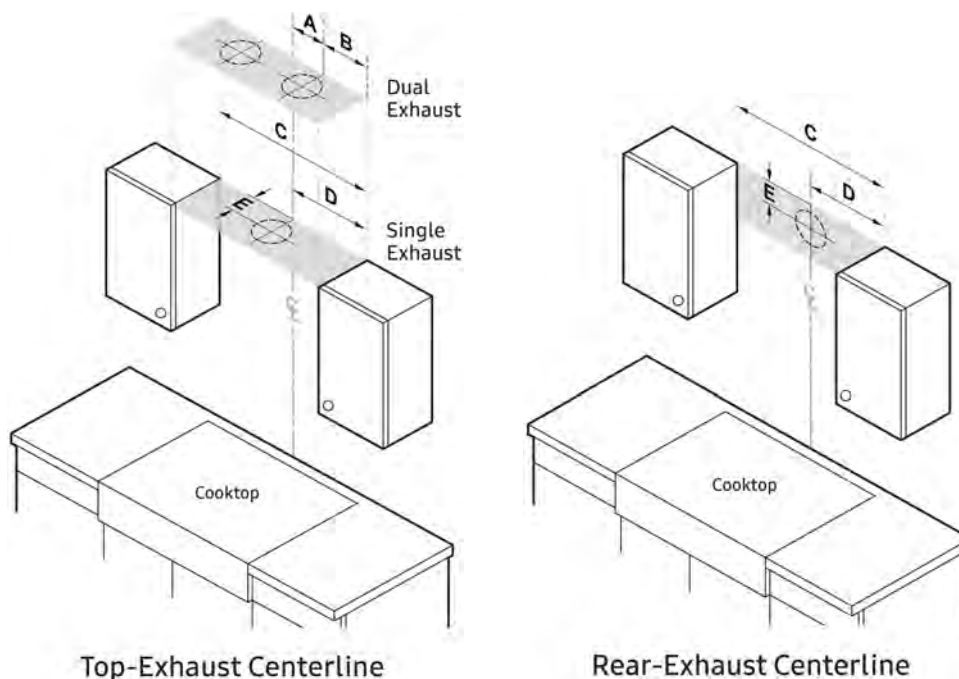
DHD Models	Weight
30	53 lbs (24 kg)
36	57 lbs (26 kg)
48	77 lbs (35 kg)



- If mounting the unit to drywall or a plastered surface, install a reinforced mounting block between the studs.
- Attach screws directly to the studs and cabinets if they align with the mounting holes in the hood back/top.

Marking the Exhaust-Duct Centerlines

These measurements/marks help center and level the hood, and mark the duct cutouts. Have a marking tool, tape measure, and level ready.



1. Position the hood as it will be when installed (e.g., for a top-vent installation, set the hood with the vents on top).
2. Measure the distance from the edge of the hood to the center of the exhaust port.
3. Transfer that measurement to the wall (for a rear vent), or overhead (for top vent). Measure the X and Y axes to find the centerline.
4. Extend the line down 10 inches (25.4 cm).
5. Cut a hole 1 inch larger than the duct. (Dual-exhaust models require two holes.)

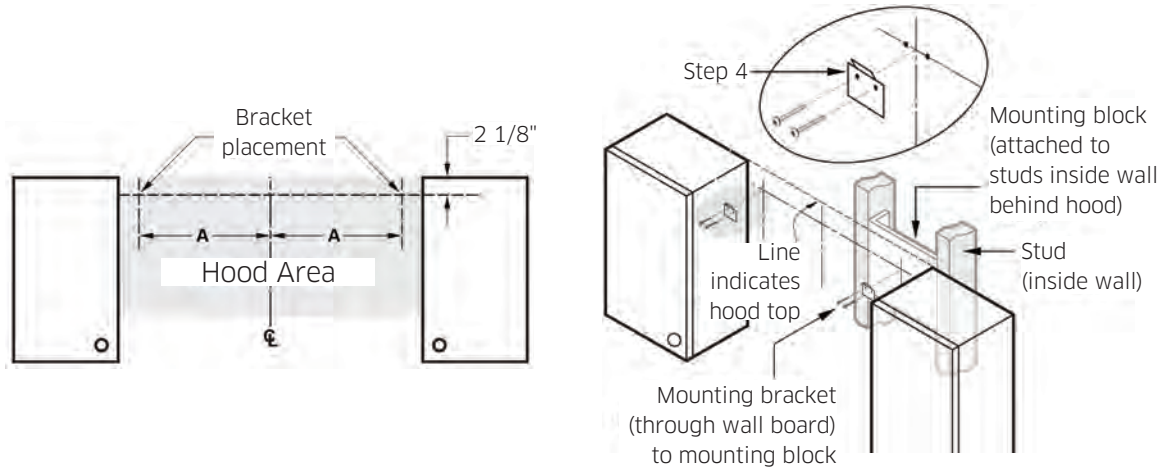
Measurement Location	Measurement: in. (cm)
A	9 7/8 in. (25.08 cm)
B	14 1/8 in. (35.88 cm)
C	48 in. (121.92 cm)
D	24 in. (60.96)
E	5 3/4 in. (14.6 cm)

IMPORTANT: For dual-exhaust, you need to install the AHT10 Dual-to-Single Transition Kit. (See the section **Using the Dual-to-Single Transition Kit #AHT10**)

Installation instructions

Installing the Support Brackets

CRITICAL: To avoid alignment issues during final installation, the brackets must not be over/under/off the centerline.



1 Marking the Centerlines and Brackets

2 Attaching the Brackets to the Wall

Holding-Bracket Centerline Distance	
DHD Models	A
30	12 1/2 in (31.8 cm)
36	7 1/8 in (18.1 cm)
48	17 in (43.2 cm)

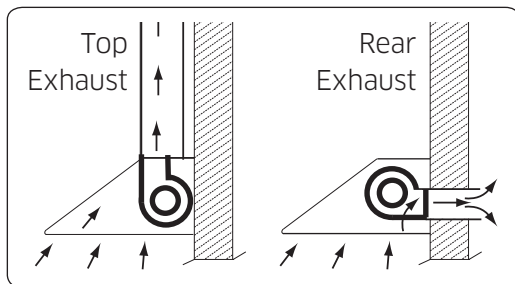
1. Mark the holding bracket's horizontal centerline 2 1/8 in. (54 cm) below the top of the hood (Image 1). **NOTE:** Minimum distance, bottom of cabinets to cooktop: 30 in.
2. Measure and mark the centerline (Image 1) half way between the cabinets. (If there are no cabinets above the cooktop, measure and mark the cooktop centerline.)
3. Referring to Image 1 and the above table, measure the "A" distance left and right from the centerline between the cabinets (or the cooktop centerline), and mark the holding brackets' centerlines.
4. Lay the bracket against the wall, and align the screw holes with the horizontal centerline. (Use anchors/screws that can support the hood; be sure to properly reinforce drywall installations.)
5. Mark the two holes in the bracket.
6. Drill those two holes for screws or anchors.
7. Attach the brackets securely to the wall.

Blower Rotation (Rear Exhaust)

IMPORTANT: Perform this procedure before you hang the hood.

⚠ WARNING

- Install the hood only if the electrical service meets the hood's specifications; the owner shall verify proper installation.
- Observe all local codes during installation. Contact your local building department for details.
- The hood must be installed by a qualified technician with sufficient personnel to assist with lifting and anchoring the hood.



The blowers (fans) can be rotated so air vents out the back of the hood. The hood comes from the factory in the top-exhaust configuration; if you intend to use that configuration, you do not need to alter the blower's position.

If, however, the hood will be installed for rear exhaust, the blowers must be rotated so exhaust vents through the rear.

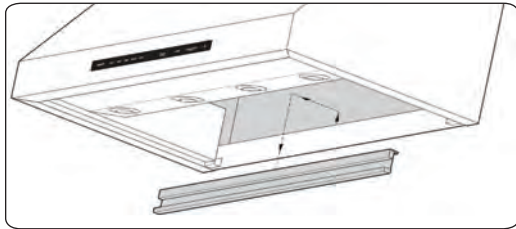
The images in this section were chosen to illustrate the intended information and may not exactly represent the hood being installed.

Tools Needed
5/16" Nut driver
Cable ties
<ul style="list-style-type: none">• AHT10 Transition kit (option), metal screws, foil tape• 10" ducts, ducting material
8" Duct and ducting materials
Phillips screwdriver

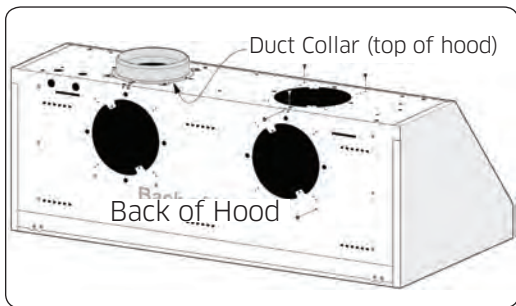
Installation instructions

Remove and Replace parts

Disassembling Parts

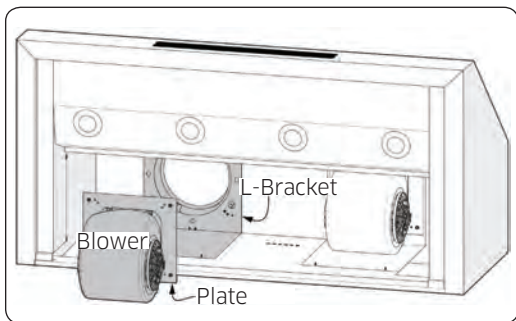


1. Unhook and remove the grease channel.
2. (Taking care not to scratch the hood) Place the hood assembly on a large, flat surface.



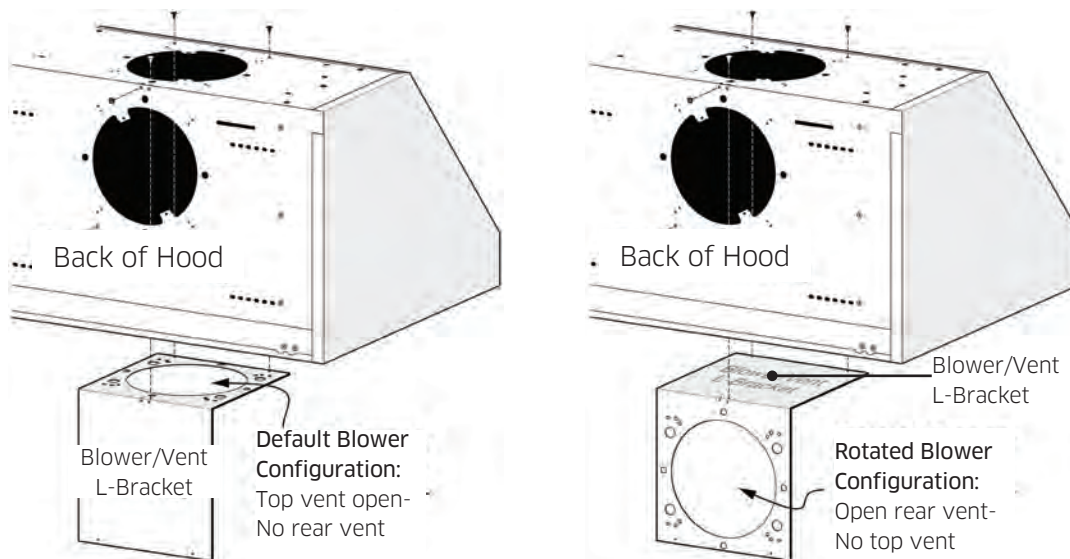
3. Remove the duct collar from the hood top. (Save the collar and screws.)

Removing the Blowers(s)



1. Carefully set the hood on its back to access the bottom.
2. Find the end of the cable assembly plugged into the bottom left of the blower, then squeeze and unplug the connector. (To avoid damaging the cable-assembly contacts and wires, always pull by the connector.)
3. Unscrew the cable clamp(s), and remove the hardware that holds the blower and L-bracket.
4. Detach the blower and plate, and set them aside.

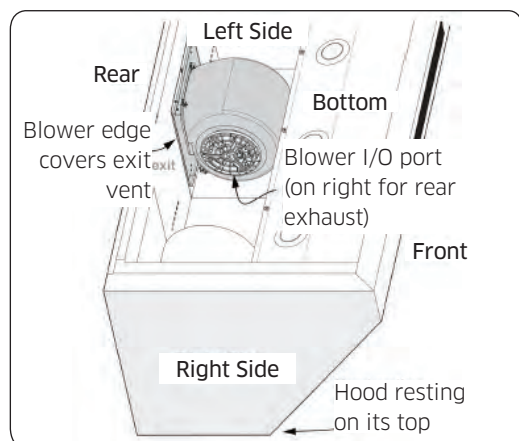
Configuring the Blower/Vent L-Brackets



1. Unscrew, and remove the L-bracket that is in the default top-venting configuration.
2. Turn and align the L-bracket so the hole is in back of the hood, allowing a rear-venting configuration.

Orientating the Blower(s)

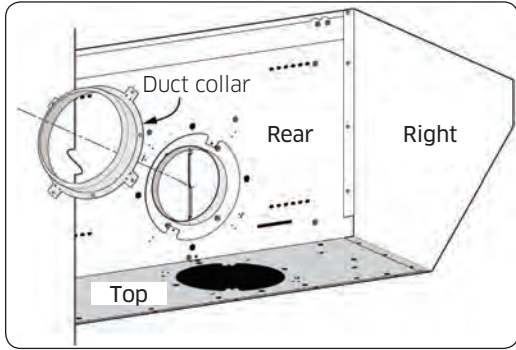
The blower(s) must be correctly positioned.



1. Set the hood on its top.
2. Standing at the rear of the hood and looking down at the blower, insert the blower so its I/O port faces right, and its exhaust port is against the L-bracket at the rear of the hood.

Installation instructions

Finalizing the Rear-Vent Setup



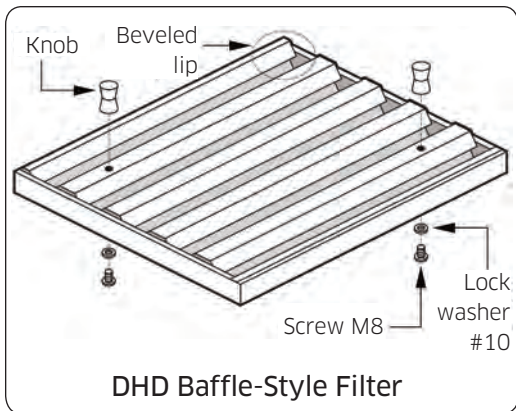
1. Refasten the cable clamps and assembly to the hood.
2. Connect the cable assembly to the blower's I/O port.
3. Attach the duct collars to the back of the hood.
4. Return the hood to a safe, upright position.

Assembling the Filters

Filters are boxed separately and must be assembled during installation. All needed knobs and hardware are included.

For correct orientation, ensure the top of the filter faces up. The filter's face has:

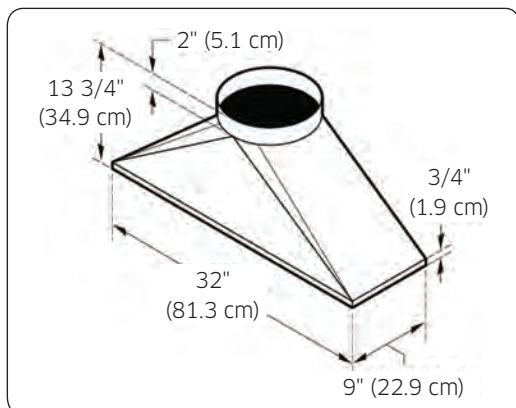
- plastic peel-away coating
- beveled lip on the inside frame
- screw holes on the ridge (not down in the trough)



1. Remove the plastic coating, and make sure the beveled lip faces up.
2. Align the screw, lock washer, and knob with the filter. Make sure the knob is on the ridge, and the screw and lock washer are in the trough.
3. Twist and tighten the knob onto each washer/screw.
4. Continue the hood installation, then install the filters after hanging the hood.

Replacement Part #	Description
702579	Baffle Filter Kit (1 pc + hardware)
702580	Baffle Filter Kit (2 pc + hardware)

Using the Dual-to-Single Transition Kit #AHT10



On dual-exhaust models, the two 8" duct exhausts can be transitioned into one 10" duct.

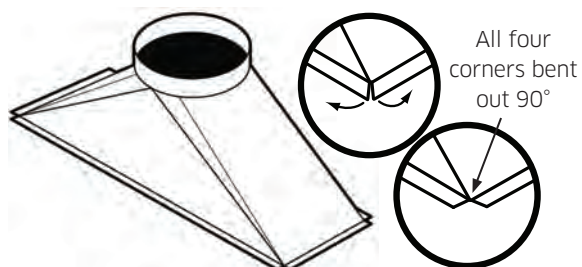
Assemble the Dacor transition kit #AHT10 (sold separately) before you hang the hood. This transition kit fits over the top/rear ventilation exits.

Preparing the AHT10

Create a lip around the transition kit by bending the bottom edges outward at right angles, creating a 3/4" flange around the base.

Bending the Flanges On the Transition Duct

Top/rear vent: Models DHD30/36/48



Installation instructions

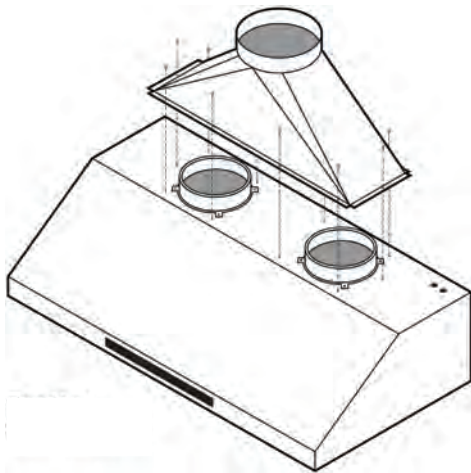
Installing the AHT10 Transition Kit

Top-/Rear-Vent Configuration

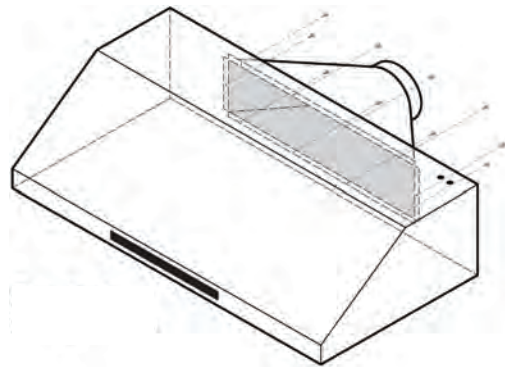
This procedure instructs you how to install the AHT10 Transition Kit for top- and rear-vent configurations

 **NOTE**

The transition kit does not include the sheet-metal screws needed to install the hood.



Top-Vent Configuration



Rear-Vent Configuration

1. Center the transition kit over the duct collars.
2. Drill screwholes in the flanges, being sure to pierce the hood top.
3. With sheet-metal screws, fasten the AHT10 unit to the hood.
4. With foil tape/duct tape, seal the AHT10 unit's base.

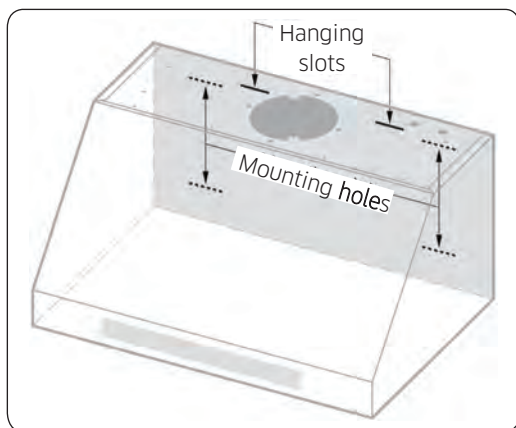
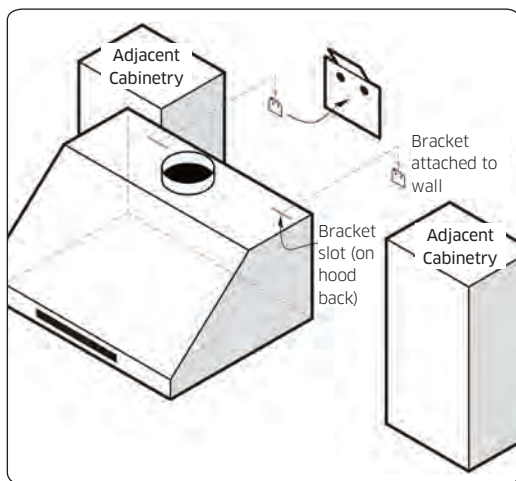
Hanging the Hood

⚠ WARNING

Hanging the range hood requires two people. Do not lift the hood unassisted.

IMPORTANT: Take care not to scratch/damage the hood.

IMPORTANT: Hanging slots in the hood back engage the holding brackets to support the hood temporarily during installation.



1. Remove the plastic film from the hood.
2. Lift, and slip the hood onto the holding brackets through the hanging slots in the hood back.
3. Adjust the hood into its final position.
4. Mark the spot by drawing in a mounting hole in the back of the hood. (This is where a screw will hold the hood to the wall stud or concrete anchor.)
5. (If needed) Mark the top of the hood if the configuration calls for the hood to be secured at the top.
6. Remove the hood from the wall.
7. Drill the pilot or anchor holes. (If using anchors, insert them into the anchor holes.)
8. Re-engage the hood to the holding brackets.
9. Adjust and anchor the hood to its final position.

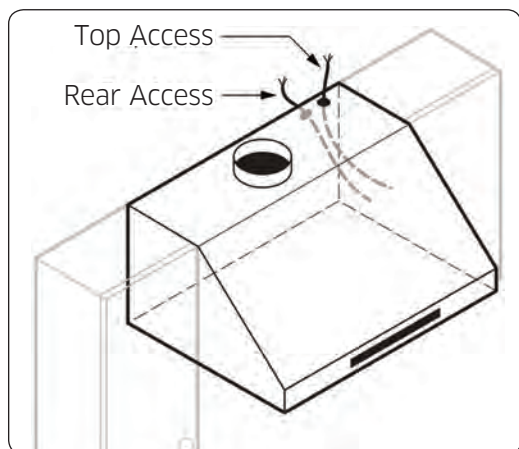
Installation instructions

Hardwiring the Hood

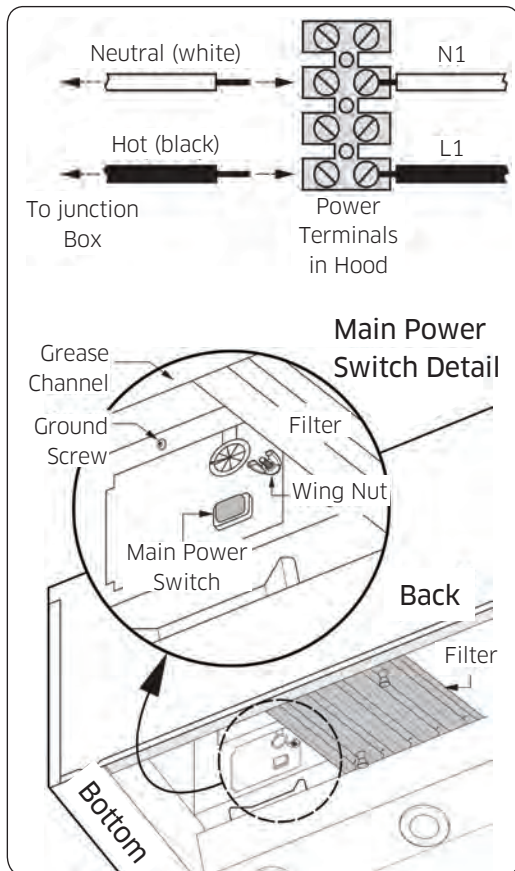
Power may be supplied to the hood through an electrical junction box or a dedicated 15-Amp. circuit breaker.

⚠ WARNING

- Before connecting the wiring, turn OFF power to the hood at the fuse box or circuit breaker.
- Miswiring the hood creates an electric shock or fire hazard and may damage its electrical system.
- Do not ground the wires to the neutral (white) wire. Connect the ground wire to a separate, properly grounded wire installed by a licensed electrician.
- Use only proper-gauge wire that meets all codes and can accommodate the total connected loads.



1. Shut power OFF at the circuit breaker or fuse box.
2. Feed the cable assembly through the hood.

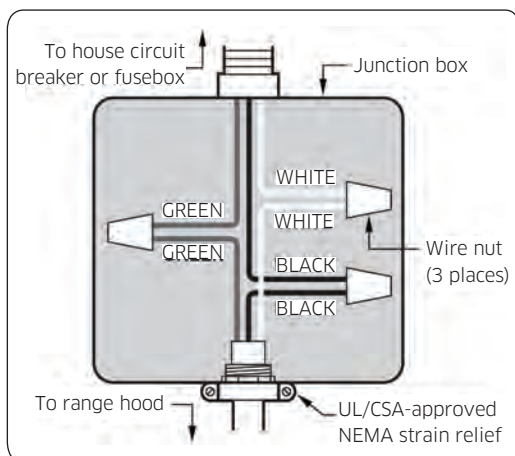


3. With the provided green screw, attach the ground wire to the ground screw (next to the main power switch inside the hood above the filters).

IMPORTANT: Use a #10 O-ring at the end of the ground wire.

4. Remove the wing nut on the main power switch plate, then remove the plate to access the terminal block and connect the power wires.

5. Insert the white wire and black wire through the plastic hole protector, and tightly connect the wires to their corresponding terminals.

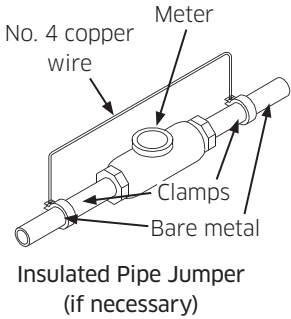
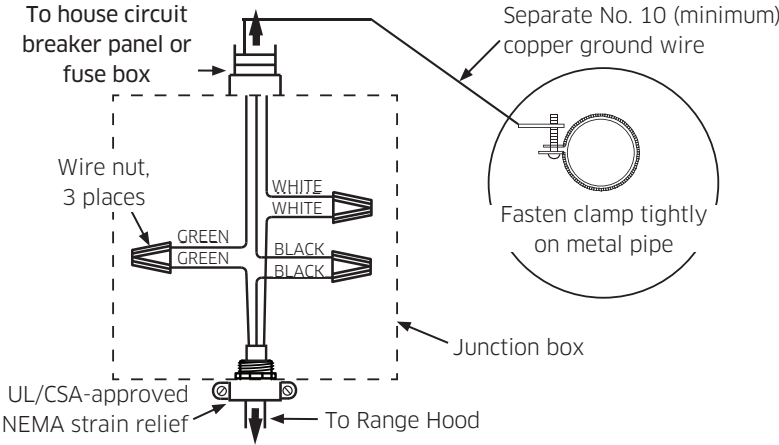


6. Connect the hood wiring to an electrical junction box or circuit breaker.

⚠ WARNING

- Do not ground the circuit to a gas line or hot-water pipe.
- Insulated water lines must be jumped to assure continuity to the ground. (See the diagram on the next page.)

Installation instructions

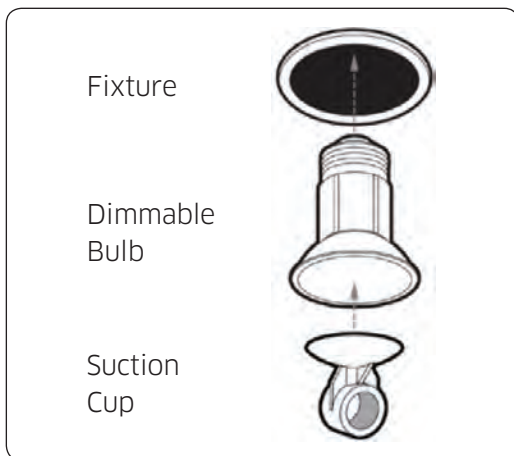


Grounding by External Cold-Water Pipe

Inserting Light Bulbs

The electronic board was designed for dimmable bulbs. Using non-dimmable bulbs causes damage and faulty performance.

If needed, clean the lens surface so the suction cup will stick to it. Perform this procedure for each hood light:

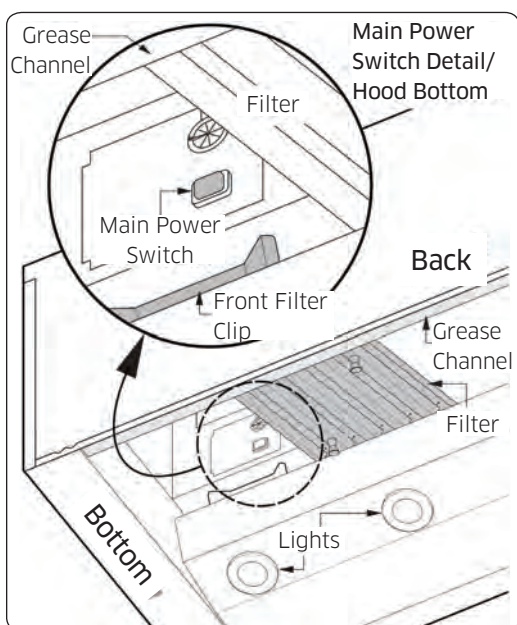
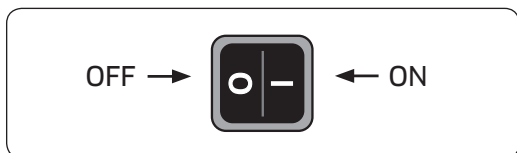


1. (To avoid a possible short and significant property damage) Shut the main circuit breaker OFF.
2. Attach the suction cup to the bulb lens (both supplied, see the graphic).
3. Screw the bulb into the light fixture, and remove the suction cup.
4. Switch the main circuit power ON.

Replacement Part #	Description
702666	Dimmable LED Bulb Replacement Kit (1 bulb + 1 suction-cup tool)

Installation instructions

Verifying the Setup



1. Turn OFF the main power switch.
2. Turn power ON at the circuit-breaker panel or fusebox.
3. Turn ON the main power switch.
The button panel flashes several times during startup.
4. (Taking care not to scratch the grease channel or other surfaces) Insert the filters:
 - a. Set the front edge into the clip, and press forward.
 - b. Lift the rear edge above the grease channel.
 - c. Set the filter rear edge on the grease channel.
5. On the hood feature-button panel, press **Lights** to verify that all lights turn on.

6. Press **Lights** again to turn the lights to the Low setting.
7. Press **Lights** again to turn the lights off.
8. Press **POWER** to verify that one fan-speed indicator turns on and the fan is on at low speed.
9. Press **Low/Med/High/Boost**: to verify that the fan speed increases each time.
10. Press **POWER** again to turn the fan OFF.

If the Hood Fails to Function Correctly

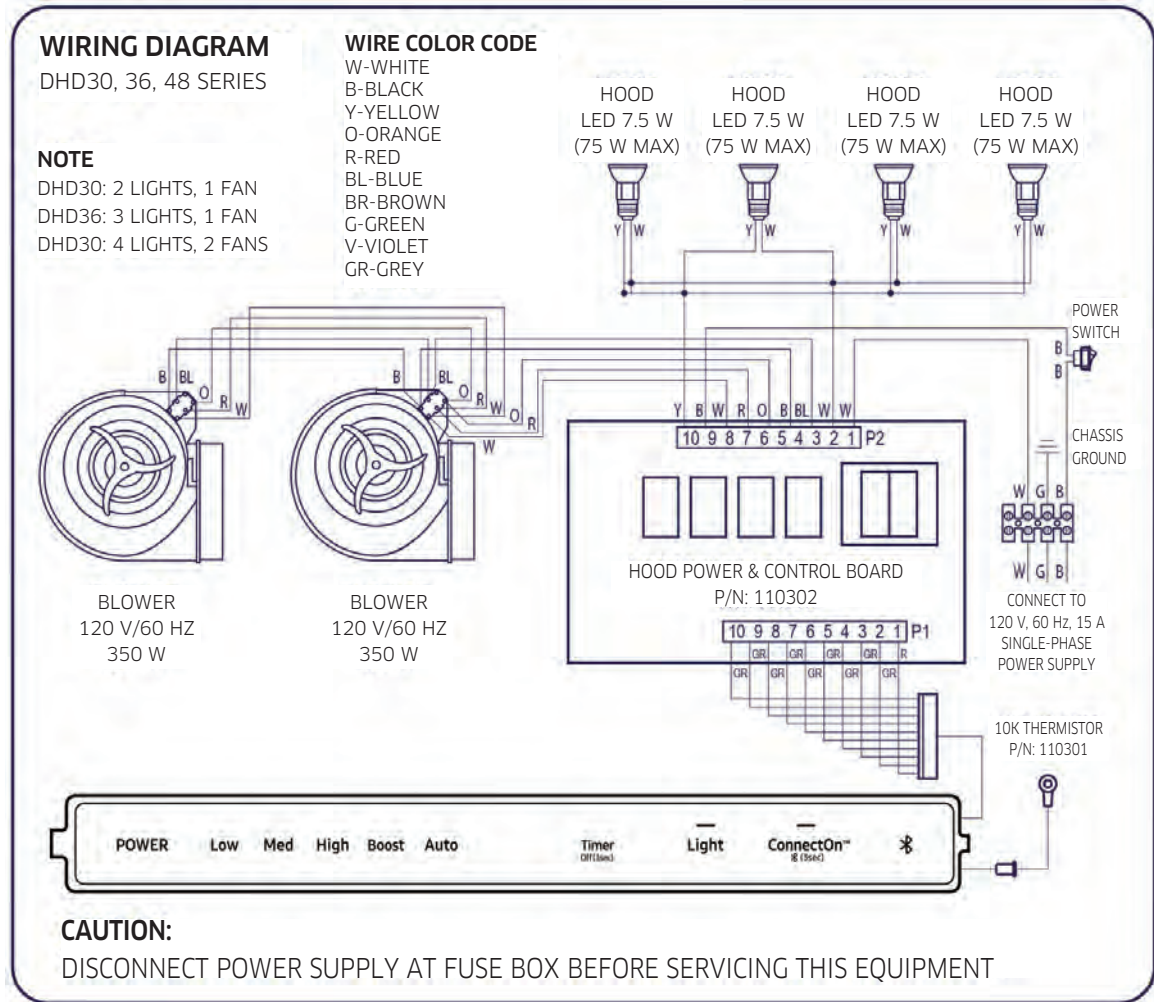
1. Verify that the hood receives power.
2. Remove the right-most filter to access the main power switch, and confirm the switch is ON.
3. Verify that the electrical connections are correct.
4. Perform the Verifying the Setup procedure again.

IMPORTANT: If the hood still does not work, contact Dacor Distinctive Service: (800) 793-0093 x2822. Do not try to repair the hood yourself. Dacor is not responsible for service required to correct a faulty installation.

Installation instructions

Wiring Diagram

DHD30/36/48



Installation instructions

MEMO

MEMO

MEMO

dacor[®]

Dacor • 14425 Clark Avenue, City of Industry, CA 91745 • Phone: (800) 793-0093 • Fax: (626) 403-3130 • www.dacor.com