

Contents

Before you begin	5
Important	5
About this manual	6
Important note to the installer	6
Important note to the consumer	6
Important note to the servicer	6
Customer service information	7
Important safety instructions	8
Read all instructions before using this appliance	9
Symbols used in this manual	9
Product specifications	21
What's in the box	21
Installation requirements	24
Pre-installation checklist	24
General requirements	24
Location requirements	28
Gas requirements	31
Special gas requirements (gas models sold in Massachusetts)	32
Electrical requirements	33
Installation instructions	34
Preparing for installation	34
Installing the knobs for surface burners	54
Cooktop assembly	55
Verifying proper operation	60
Removal and Re-installation	63
Installation checklist	64



To Our Valued Customer:

Congratulations on your purchase of the very latest in Dacor® products! Our unique combination of features, style and performance make us The Life of the Kitchen™, and a great addition to your home.

In order to familiarize yourself with the controls, functions and full potential of your new Dacor Appliance, read this use and care manual thoroughly, beginning with the **Before you begin** section.

All Dacor appliances are designed and manufactured with quality and pride, while working within the framework of our company value. Should you ever experience a problem with your product, please first check the Troubleshooting section of this manual for guidance. It provides useful suggestions and remedies prior to calling for service.

Valuable customer input helps us to continuously improve our products and services, so please feel free to contact our Customer Service Team for assistance with any of your product support needs.

Dacor Customer Service Team
14425 Clark Avenue
City of Industry, CA 91745

Telephone: (800) 793-0093

Fax: (626) 403-3130

Hours of Operation: Monday through Friday 6:00 A.M. to 5:00 P.M. Pacific Time

Website: www.Dacor.com

Thank you for choosing Dacor for your home. We are a company built by families for families, and we are dedicated to serving yours. We are confident that your new Dacor product will deliver a high level of performance and enjoyment for many years to come.

Sincerely,

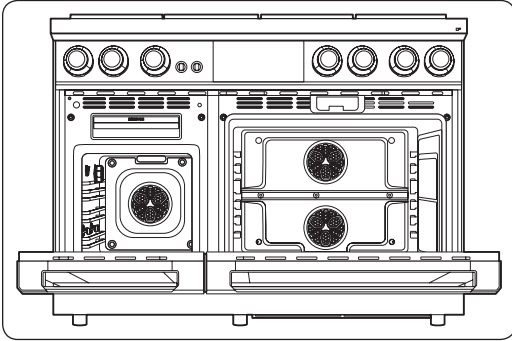
The Dacor Customer Service Team

WARNING: Failure to follow the instructions in this manual exactly may cause a fire or explosion, and, consequently, property damage, personal injury, or death.

- **DO NOT** keep or use gasoline or other flammable products near this appliance.
- **IF YOU SMELL GAS:**
 - **DO NOT** light any appliances.
 - **DO NOT** touch any electrical switches.
 - **DO NOT** use any phone in your building.
 - Immediately call your gas supplier from a neighbor's phone, and follow the supplier's instructions. (If you cannot reach your gas supplier, call the fire department.)
- Installation and service must be performed by a qualified installer, service agency, or the gas supplier.

Before you begin

Important



- The overall design and/or accessories may differ with the model.

Installer

- To promote safety and minimize problems, read this manual thoroughly before starting the installation. Leave this manual with the user.
- Write the appliance's model/serial numbers in this manual for service/maintenance reference.

User

- Keep this manual for personal reference and for that of inspectors, service personnel, etc.

Before you begin

About this manual

READ THESE INSTRUCTIONS COMPLETELY AND CAREFULLY.

Important note to the installer

- Read all instructions contained in these installation instructions before installing the cooktop.
- Remove all packing materials from the cooktop compartments before connecting the electric and gas supply to the cooktop.
- Observe all governing codes and ordinances.
- Be sure to leave these instructions with the consumer.
- Installation of this appliance requires basic mechanical skills.
- Proper installation is the responsibility of the installer.
- Product failure due to improper installation is not covered under the Warranty.

Important note to the consumer

Keep these instructions with your user manual for future reference.

- As when using any appliance generating heat, there are certain safety precautions you should follow.
- Be sure your cooktop is installed and grounded properly by a qualified installer or service technician.
- Make sure the wall coverings around the cooktop can withstand the heat generated by the cooktop.
- Cabinet storage space above the cooktop burners should be a minimum of 30 in (76.2 cm).

Important note to the servicer

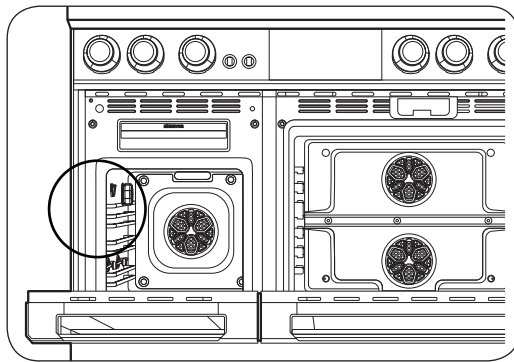
The electrical diagram is attached inside the burner box.

Customer service information

If you have questions or problems with installation, contact your Dacor dealer or the Dacor Customer Service Team. For repairs to Dacor appliances under warranty call the Dacor Distinctive Service line. Whenever you call, have the model and serial number of the appliance ready. The serial number can be found on the inner side of door trim.

Dacor Customer Service Team Phone: (800) 793-0093 ex. 2813 (U.S.A. and Canada)
Monday – Friday 6:00 a.m. to 5:00 p.m. Pacific Time
Web site: www.dacor.com

Dacor Distinctive Service (for repairs under warranty only) Phone: (800) 793-0093 ex. 2822 (U.S.A. and Canada) Monday – Friday 6:00 a.m. to 5:00 p.m. Pacific Time



Model and Serial Number Location

Important safety instructions

ANTI-TIP DEVICE



⚠ WARNING

ALL RANGES CAN TIP, RESULTING IN PERSONAL INJURY.



TIPPING RANGES CAN CAUSE BURNS FROM SPILLS, PERSONAL INJURY, AND/OR DEATH.

INSTALL AND CHECK THE ANTI-TIP BRACKET FOLLOWING THE INSTRUCTIONS AND TEMPLATE SUPPLIED WITH THE BRACKET.

- To prevent accidental tipping of the range, attach an approved anti-tip device to the floor. (See Installing the Anti-Tip Device in the Installation Instructions.) Check for proper installation by carefully tipping the range forward. The anti-tip device should engage and prevent the range from tipping over.
- If the range is pulled out away from the wall for any reason, make sure the anti-tip device is reengaged after the range has been pushed back into place.
- Follow the installation instructions found in the Installation Manual. Failure to follow these instructions can result in death, serious personal injury, and / or property damage.
- **DO NOT step / sit / lean** on the door or drawer to prevent accidental tipping of the range.

READ ALL INSTRUCTIONS BEFORE USING THIS APPLIANCE

- Electrical and gas equipment with moving parts can be dangerous. The important safety instructions in this manual are intended to minimize the risk of property damage, personal injury, and death. Be sure to read them.
- Keep this manual in a handy place so you can refer to it as needed.

Symbols used in this manual

WARNING

Hazards or unsafe practices that may result in severe personal injury or death.

CAUTION

Hazards or unsafe practices that may result in electric shock, personal injury, or property damage.

NOTE

Useful tips and instructions.

These warning icons and symbols are intended to prevent property damage and personal injury. Follow them explicitly.

Important safety instructions

State of California Proposition 65 Warning (US only)

WARNING: This product contains chemicals known to the State of California to cause cancer and birth defects or other reproductive harm.

Gas appliances can cause low-level exposure to Proposition 65 listed substances (including benzene, carbon monoxide, formaldehyde, and soot) resulting from the incomplete combustion of LP or natural gas.

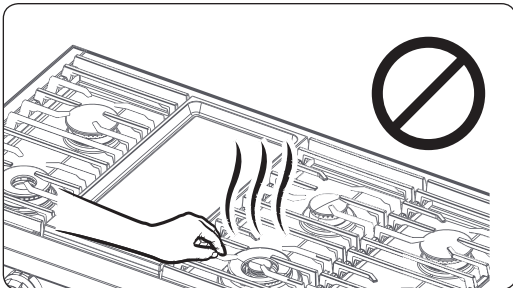
Commonwealth of Massachusetts

This product must be installed by a licensed plumber or gas fitter qualified or licensed by the State of Massachusetts. When using ball-type gas shut-off valves, you must use the T-handle type. Multiple flexible gas lines must not be connected in series.

General safety

WARNING

To reduce the risk of fire, electric shock, personal injury, or death, observe these precautions:



- **Do not touch** any surface, component, or mechanism of the product during or immediately after cooking.
- **Learn** where and how to shut off the valve that feeds gas to the product.

- **Make sure** the anti-tip device is properly installed. (See the Installation Instructions for details.)
- **Do not** let children sit/stand on the product or play with any of its parts. Do not leave children unattended in the kitchen when the product is in use.
- **Remove** all packaging before operating the product to keep this material from catching fire. Keep all packaging away from children. Properly dispose of packaging as soon as the product is unpacked.
- **Do not** keep objects of interest to children on or around the product.
- **Do not operate** the product if it is damaged in any way, if it malfunctions, or is missing parts.

-
- **Do not use** the product as a space heater. This product is to be used for cooking purposes only.
 - **Do not use** oven cleaners or oven liners in or around any part of the oven.
 - **Use** only dry pot holders.
 - **Do not use** the product to heat unopened food containers.
 - **Do not strike** the oven glass.
 - When disposing of the range, **cut off** the power cord and **remove** the door.
 - **Unplug** the product before service/maintenance.
 - **Make sure** all meat and poultry is cooked thoroughly. Meat should always be cooked to an internal temperature of 160 °F (71 °C). Poultry should always be cooked to an internal temperature of 180 °F (82 °C).
 - An air curtain or other overhead range hood, which operates by blowing a downward airflow onto a range, shall not be used in conjunction with a gas range unless the hood and range have been designed and tested in accordance with the Standard for Domestic Gas Ranges, ANSI Z21.1 • CSA1.1, and listed by an independent testing laboratory for combination use.

 **WARNING**

NEVER use this appliance as a space heater to heat or warm the room. Doing so may result in carbon monoxide poisoning and overheating of the oven.

Important safety instructions

Fire safety

WARNING

To reduce the risk of fire, electric shock, personal injury, or death, observe these precautions:



- **Do not store/place/use** combustible materials (e.g., paper, plastic, pot holders, linens, gasoline, alcohol) near the product.
- **Do not wear** loose fitting or hanging garments while using the product.

- To avoid grease buildup, **regularly clean** the vents.
- **Do not let** pot holders or other flammable material touch a heating element. Do not use a towel or other bulky cloth item as a pot holder.
- **Do not douse** a grease fire with water. Instead, turn off the heat source, and smother the fire with a tight-fitting lid, or use a multi-purpose, dry-chemical or foam extinguisher.
- If a grease fire should occur in the oven, **turn off the oven** by pressing the **OFF** button. Keep the oven door closed until the fire goes out. If necessary, use a multipurpose dry chemical or foam-type **fire extinguisher**.
- **Do not heat** unopened food containers - buildup of pressure may cause container to burst and result in injury.

Gas safety

WARNING

To reduce the risk of fire, electric shock, personal injury, or death, observe these precautions:

If you smell gas:

- **Close the valve** and do not use the product.
- **Do not light** a match, candle, or cigarette.
- **Do not turn on** any gas or electric appliances.
- **Do not touch** any electrical switch or plug in a power cord.
- **Do not use** any phone in your building.
- **Evacuate** everyone from the building.
- **Immediately call** your gas supplier from a neighbor's phone. Follow the gas supplier's instructions.
- If you cannot reach your gas supplier, call the fire department.

Checking for gas leaks

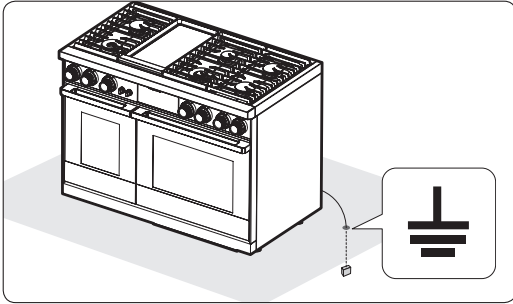
Leak-testing the appliance must be done according to the manufacturer's instructions. Do not use a flame to check for gas leaks. Use a brush to spread a soap-and-water solution around the area you are checking. If there is a gas leak, small bubbles will appear in the solution. When not sure, call for professional help.

Important safety instructions

Electrical and grounding safety

⚠ WARNING

To reduce the risk of fire, electric shock, personal injury, or death, observe these precautions:



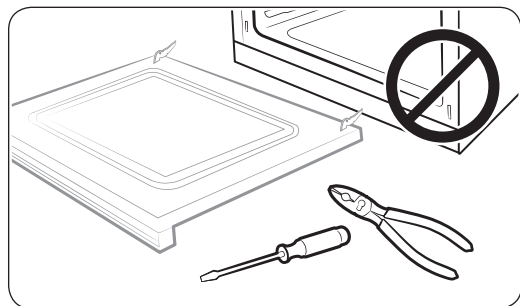
- Plug into a grounded 3-prong outlet.
- **Do not remove** the ground prong.
- **Do not use** an adapter or an extension cord.
- **Do not use** a damaged power plug, power cord, or loose power outlet.
- **Do not modify** the power plug, cord, or outlet.

- **Do not put** a fuse in a neutral or ground circuit.
- Use a dedicated 240 Vac, 60 Hz, 50 Amp breaker for the **48" Range** and a 40 Amp breaker for the **36" Range**. A time-delay fuse or circuit breaker is recommended. Do not plug more than one appliance into this circuit.
- **Do not connect** the ground wire to plastic plumbing lines, gas lines, or hot water pipes.
- This product must be grounded. If the range malfunctions or breaks down, grounding reduces the risk of electric shock by providing a safe path for the current. This range's power cord has a grounding plug, which must be firmly plugged into an outlet that is properly installed and grounded according to local regulations. If you are not sure your electrical outlet is properly grounded, have it checked by a licensed electrician.
- The range is supplied with a 4-pronged grounded plug. This cord must be plugged into a mating, grounded 4-prong outlet that meets all local codes and ordinances. If codes allow for a separate ground wire, you should have a qualified electrician determine this wire's proper path.
- Electrical service to the range must conform to local codes, or in the absence of local codes, to the National Electrical code/NFPA No. 70 - Latest Revision (for the U.S.) or the Canadian Electrical Code CSA C22.1 or Latest Revisions.
- The product owner shall ensure that the proper electrical service is provided for the product.

Installation safety

⚠ WARNING

To reduce the risk of fire, electric shock, personal injury, or death, observe these precautions:



- This product should be installed and properly grounded by a qualified installer, as specified in the Installation Instructions. Adjustments and service should be performed only by qualified gas range installer or service technician.

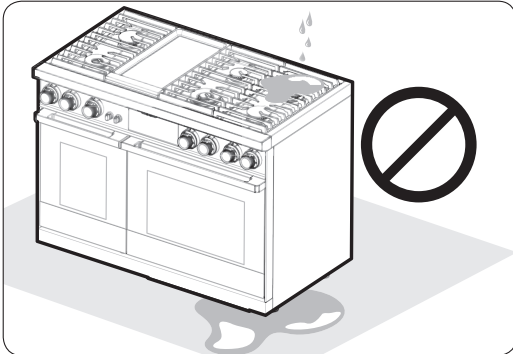
- **Do not try** to service/modify/replace the product or any part of it unless specifically recommended in this manual. All other service should be performed by a qualified technician.
- Use only new, flexible connectors when installing the product.
- **Make sure** the anti-tip device is properly installed. (See the Installation Instructions for details.)
- Due to the size and weight of the range, have **two or more people** move the range.
- **Remove** all tape and packaging materials.
- After unpacking the product, remove all accessories from inside and around it. (Cautiously handle the heavy grates.)
- **Make sure** no parts came loose during shipping.
- **Make sure** the product is correctly installed/adjusted by a qualified service technician or installer for the type of gas (natural or LP) you will use. For the range to use LP gas, the installer must replace every surface burner orifices with the provided LP orifice set, and reverse the GPR adapter. These adjustments must be made by a qualified technician according to manufacturer instructions and local regulations. The qualified agency performing this work shall be responsible for the gas conversion.
- Installation of this range must conform with local codes or, in the absence of local codes, with the National Fuel Gas Code, ANSI Z223.1/NFPA.54, latest edition. In Canada, installation must conform with the current Natural Gas and Propane Installation Code, CAN/CGA-B149.1, or the current Propane Installation Code, CAN/CGA-B149.2, and with local codes where applicable. This range has been design-certified by UL according to ANSI Z21.1/CSA 1.1, latest edition.

Important safety instructions

Location safety

WARNING

To reduce the risk of fire, electric shock, personal injury, or death, observe these precautions:



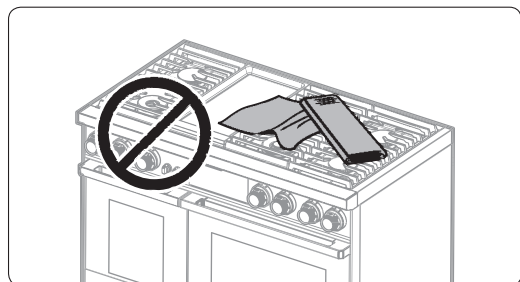
- This range is for indoor household use only. **Do not install** the range outdoors or anywhere that it will be exposed to weather/water or wind/ strong drafts.

- Select a level, well-constructed floor that can support the range's weight. Synthetic flooring, such as linoleum, must withstand 180 °F (82 °C) temperatures without shrinking, warping, or discoloring. **Do not install** the range directly over interior kitchen carpeting unless a sheet of ¼ inch plywood or a similar insulator is placed between the range and carpeting.
- The range must be installed within easy reach of a grounded, 3-prong outlet.
- Do not hang paper blinds on a window near the range; do not hang long curtains that could be blown over/onto the range.
- For proper ventilation, the range needs sufficient space below and all around the chassis. Vents in the chassis exhaust heat and fumes so the range can operate properly.
- **Make sure** the wall coverings around the range can withstand heat up to 194 °F (90 °C) generated by the range.
- Cabinet storage above the surface of the range should be avoided. If cabinet storage above the range is necessary: allow a minimum clearance of 30 inches (76.2 cm) between the cooking surface and the bottom of cabinets; or install a range hood that projects horizontally a minimum of 5 inches (12.7 cm) beyond the bottom of the cabinets.

Cooktop safety

⚠ WARNING

To reduce the risk of fire, electric shock, personal injury, or death, observe these precautions:



- **Make sure** all burners are off when not in use.
 - **Do not use** aluminium foil to line the grates or any part of the cooktop.
 - **Do not leave** burners unattended on medium or high heat settings.
 - Before igniting, **make sure** all burner caps are properly in place and all burners are level.
-
- Always use the LITE position to ignite a burner, then make sure the burner has ignited. If ignition fails, turn the knob to OFF, and wait a few minutes for the gas to dissipate.
 - When you set a burner to simmer, **do not turn** the knob quickly. Make sure the flame stays on.
 - **Do not** place any objects other than cookware on the cooktop.
 - This cooktop is designed to cook with a wok or wok ring attachment. If foods are flamed, they should only be flamed under a ventilation hood that is on.
 - Before removing or changing cookware, turn off the burners.
 - Remove food and cookware immediately after cooking.
 - Make sure all cooktop burners are off and all surfaces have completely cooled before removing the grates and disassembling the burners.
 - After cleaning the burner head, **make sure** it is completely dry before re-assembling.
 - **Make sure** the spark mark on the dual burner spreader is placed beside the electrode when it is assembled.
 - To avoid carbon monoxide poisoning, do not pour water or other liquids into the cooktop during cleaning.
 - Select cookware that is designed for cooktops and that is large enough to cover the grates. Burner flames should not extend beyond the bottom of the cookware.
 - To avoid cookware discoloration, deformity, and/or carbon monoxide poisoning, **do not use** cookware that is exceedingly larger than the grate.
 - Turn cookware handles to the side or rear of the cooktop and not over active burners or the front edge of the cooktop.
 - Stand at a safe distance while frying to avoid hot spatter.

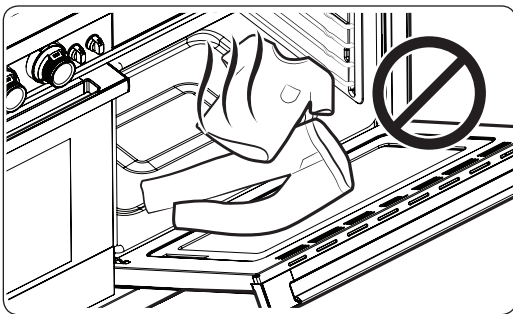
Important safety instructions

- When frying, always heat the oil slowly, and monitor the oil as it heats. When frying foods at high heat, monitor the oil throughout the cooking process. If combining fats or oils for frying, mix them together before heating.
- Use a deep-fry thermometer when possible to avoid heating the oil beyond its smoke point. (Know the smoke point of the oil you are using.)
- Always use a minimum amount of oil for any type of frying. Always thaw food before frying, and do not fry food that is overly cold or that has clumps of ice attached to it.
- Always let the oil/fat in the cookware to cool to room temperature before moving the cookware.
- To avoid delayed-eruptive boiling, let hot oil/fat stand at least 20 seconds after turning off the burner so the temperature can stabilize. In the event of scalding, follow these first-aid instructions:
 1. Immerse the scalded area in cool or lukewarm water for at least 10 minutes.
 2. Do not apply any creams, oils, or lotions.
 3. Cover with a clean, dry cloth.

Oven safety

⚠ WARNING

To reduce the risk of fire, electric shock, personal injury, or death, observe these precautions:



- **Do not use** the oven for non-cooking purposes such as drying clothes or storage. Use the oven for cooking purposes only.

- Make sure the oven racks are placed on the same level on each side.
- Do not damage, move, or clean the door gasket.
- Do not spray water on the oven glass while the oven is on or just after you have turned it off.
- Do not use aluminium foil or foil liners anywhere in the oven. Do not use aluminium foil or like material to cover any holes or passages in the oven bottom or to cover an oven rack.
- Stand away from the oven when opening the oven door.

-
- Keep the oven free from grease buildup.
 - When repositioning the oven racks, make sure the oven is completely cool.
 - Do not leave plastic items inside the oven.
 - To avoid damaging the burner control knobs or oven control, always bake and/or broil with the oven door closed.
 - Do not broil meat too close to the broil element. Trim excess fat from meat before cooking.
 - When using cooking or roasting bags in the oven, follow the manufacturer's directions.
 - Do not use harsh abrasive cleaners or sharp metal scrapers to clean the oven door glass. They can scratch the surface which may result in the glass shattering.

 **CAUTION**

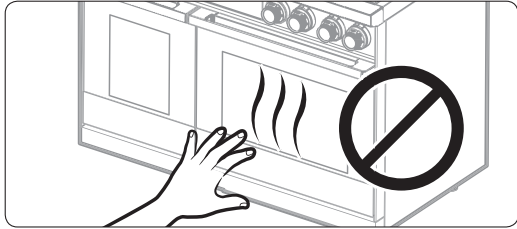
- **Do not attempt to operate the oven during a power failure.**
- If the power fails, always turn the oven off. If the oven is not turned off and the power returns, the oven may begin to operate again. Food left unattended could catch fire or spoil.

Important safety instructions

Self-cleaning oven safety

WARNING

To reduce the risk of fire, electric shock, personal injury, or death, observe these precautions:

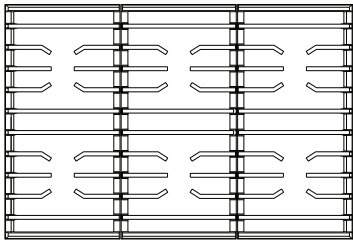


- The self-cleaning feature operates the oven at temperatures high enough to burn away food soils in the oven. The range is extremely hot during a self-cleaning cycle. **Do not touch** any surfaces of the range during a self-cleaning cycle.
- Keep children away from the oven during a self-cleaning cycle.
- Before starting a self-cleaning cycle, **remove** all racks, cookware, and utensils from the oven. Only porcelain-coated oven racks may be left in the oven.
- Before operating the self-clean cycle, wipe grease and food soils from the oven.
- Excessive amounts of grease may ignite, leading to smoke damage to your home.
- When opening the door after a self-cleaning cycle, stand away from the oven.
- If the self-cleaning cycle malfunctions, turn off the oven, turn off the power breaker, and contact a qualified service technician.
- Never keep pet birds in the kitchen. Birds are extremely sensitive to the fumes released during an oven self-clean cycle. Fumes may be harmful or fatal to birds. Move birds to a well-ventilated room.
- Do not use any commercial oven cleaner or oven liner protective coating of any kind in or on the outside of the oven.
- Remove the nickel oven shelves from the oven before you begin the self cleaning cycle or they may discolor.
- Excess spillage must be removed before you run the self-cleaning cycle.

Product specifications

What's in the box

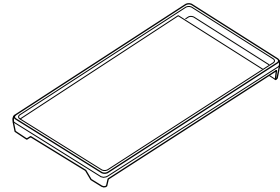
Parts list - DOP48M96DL*



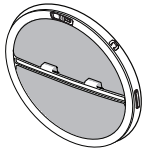
Grates (3)



Burner heads (6) and Burner caps (7)



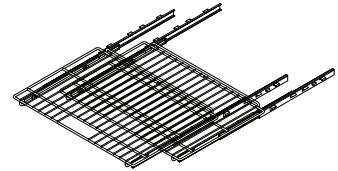
Griddle (1)



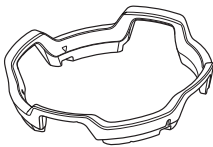
Convection filter (3)



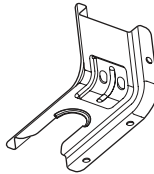
Temp. Probe (2)



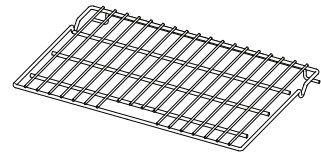
Glide racks (2)



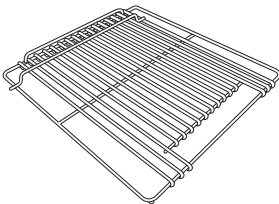
WOK ring (1)



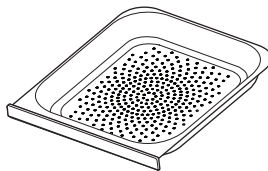
Anti-tip bracket (1)



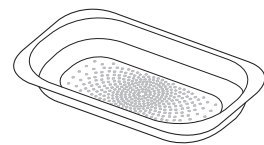
Wire rack (1)



Small rack (1)*



Steam tray (2)*



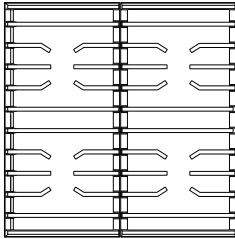
Half steam tray (2)*

NOTE

- The range is supplied with two different types of burner caps (brass and porcelain) to suit the customer's preference.
- Parts with asterisk (*) is only for Steam oven.

Product Specifications

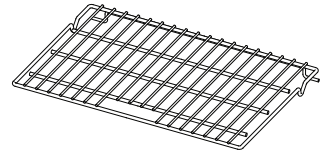
Parts list - DOP36M94DL*



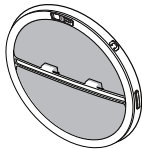
Grates (2)



Burner heads (4) and Burner caps (5)



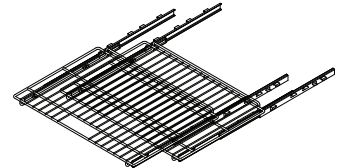
Wire rack (1)



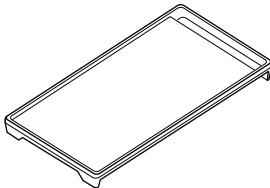
Convection filter (2)



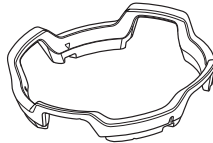
Temp. Probe (1)



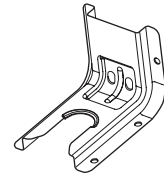
Glide racks (2)



Griddle (1)



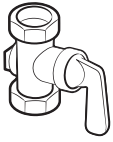
WOK ring (1)



Anti-tip bracket (1)

The range is supplied with two different types of burner caps (brass and porcelain) to suit the customer's preference.

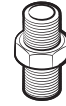
Parts needed



Gas line shut-off valve



Flexible metal appliance connector 1/2 in (ID) x 5 ft



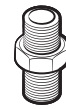
Flare union adapter 3/4 in (NPT) x 1/2 in (ID)



135-degree elbow (optional)



Lag bolt or 1/2-in (OD) sleeve anchor



Flare union adapter 1/2 in (NPT) x 1/2 in (ID)

Tools needed



Flat-blade screwdriver



Phillips screwdriver



Open-end or adjustable wrench



Pipe wrench (2)



Nut driver



Pencil and ruler



Level



Pipe joint compound



Utility knife



Soapy water solution

Installation requirements

Pre-installation checklist

1. Before preparing the opening in the countertop or cabinet, verify that there will be no conflict between the range and anything in the cabinet below.
2. Remove packing materials, grate boxes, regulator with literature, and literature package from the range, verify that all items are present before beginning the installation.

General requirements

Clearances and dimensions

- For OTR over Gas Stove, please follow local GAS CODE.
- **BEFORE YOU BEGIN** to install this appliance, refer to the following information, dimensions, and clearances. Do not locate the range where it may be subject to strong drafts. Provide adequate clearances between the range and adjacent combustible surfaces. These dimensions must be met for safe use of the range. The location of the electrical outlet and gas piping may be adjusted to meet the following dimensions and clearances.
- The range may be installed flush to the rear wall. Dacor strongly recommends installing a non-combustible material on the rear wall above the range and up to the vent hood or installation of a backguard. It is not necessary to install non-combustible materials behind the range below the countertop height. Any openings in the wall behind the appliance or in the floor underneath it must be sealed.
- For installation in Canada, a free-standing range is not to be installed closer than 4.7 in (12 cm) from any adjacent surface.

CAUTION

This range has been designed to comply with the maximum allowable wood cabinet temperature of 194 °F (90 °C). Make sure the wall covering, countertops, and cabinets around the range can withstand the heat (up to 194 °F [90 °C]) generated by the range. If not, discoloration, delamination, or melting may occur.

Minimum dimensions

WARNING

If overhead cabinets are provided, a range hood should also be provided that projects horizontally a minimum of 5 in (12.7 cm) beyond the front of the cabinets. This will dissipate any heat buildup in the overhead cabinets to prevent death, personal injury, and/or fire hazard. The ventilating hood must be constructed of sheet metal not less than 0.0122" thick. Install above the range with a clearance of not less than 1/4" between the hood and the underside of the combustible material or metal cabinet. The hood must be at least as wide as the appliance and centered over the appliance. Clearance between the cooking surface and the ventilation hood surface must never be less than 24 inches.

Exception : Installation of a listed microwave oven or cooking appliance over the range shall conform to the installations packed with that appliance.

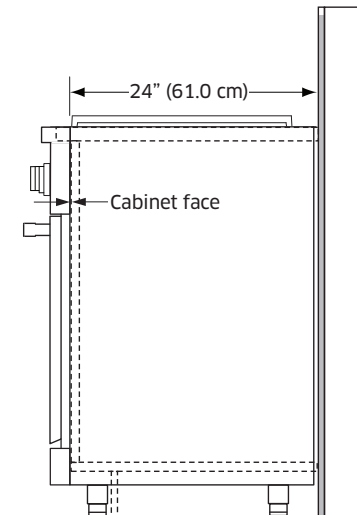
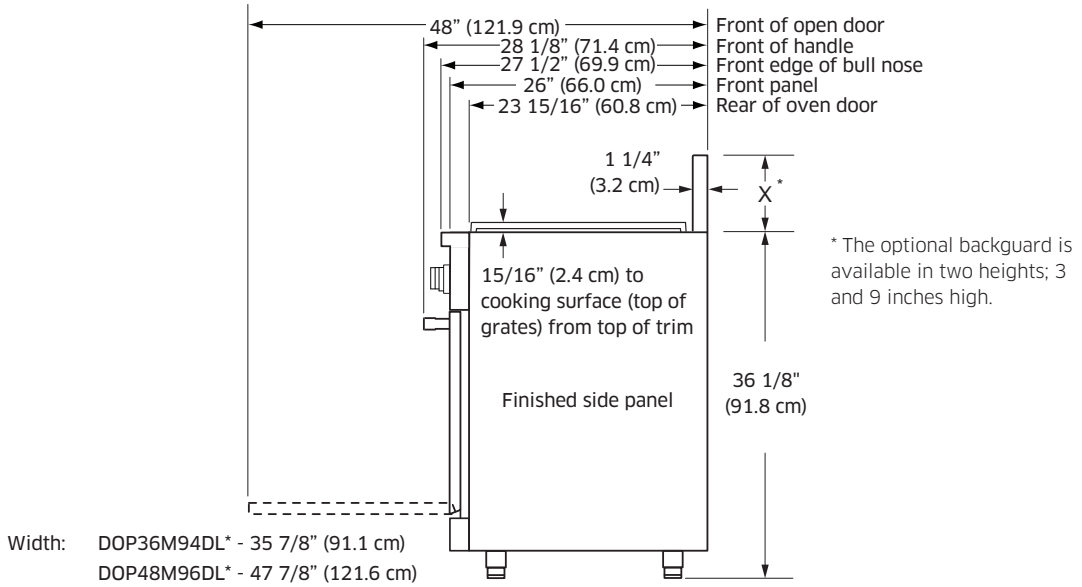
- 30 in (76.2 cm) minimum clearance between the top of the cooking surface and the bottom of an unprotected wood or metal cabinet; or If no 30 in (76.2 cm) minimum clearance, 24 in (61 cm) minimum when the bottom of the wood or metal cabinet is protected by not less than 0.25 in (0.64 cm) flame-retardant millboard covered with not less than no. 28 MSG sheet steel, 0.015 in (0.038 cm) stainless steel, 0.024 in (0.061 cm) aluminum, or 0.020 in (0.051 cm) copper.
- 18 in (45.7 cm) minimum between the countertop and the adjacent cabinet bottom.

Installation requirements

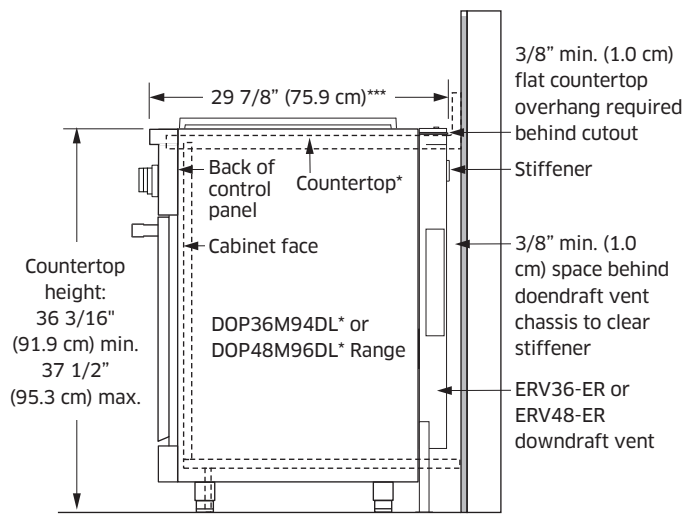
Product dimensions

NOTE

Product tolerances: $\pm 1/16$ " (± 1.6 mm)



**View of Range Installed
(Side View)**



**View of Range Installed with Downdraft Vent
(Side View)**

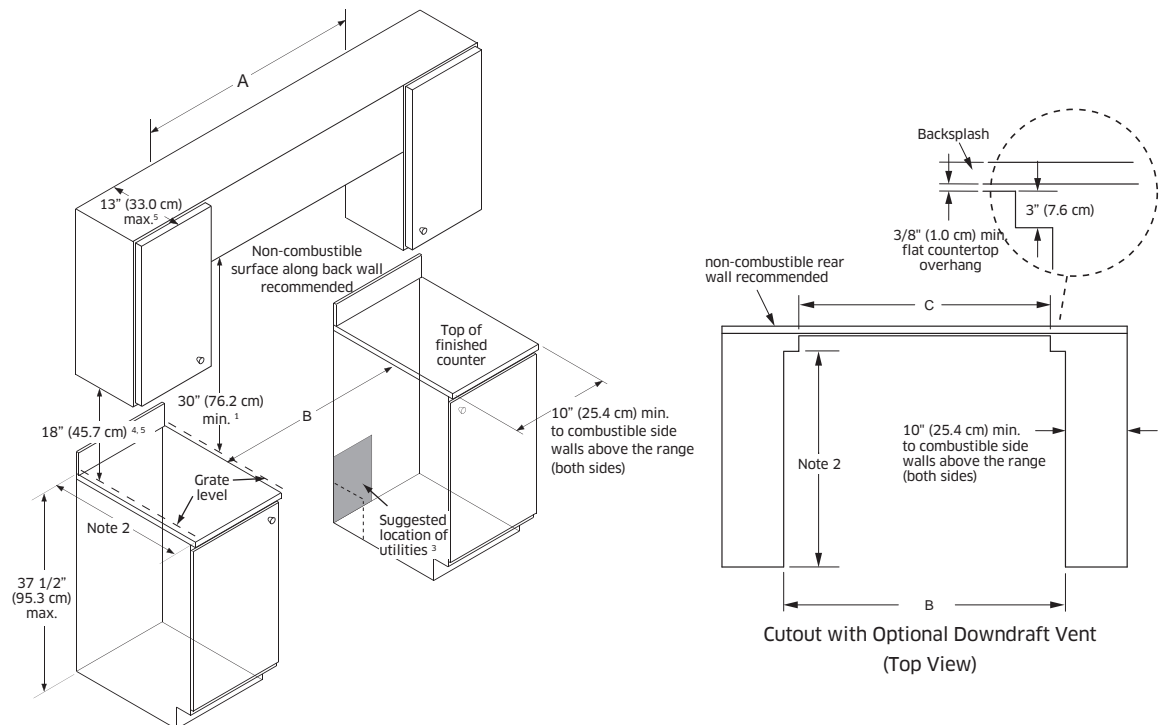
Cabinet dimensions

- All maximum and minimum dimensions and clearances shown in the diagrams below must be maintained for safe operation.
- Check the location where the range is to be installed. It should be placed away from drafts that may be caused by doors, windows and heating and air conditioning outlets.
- To reduce the risk of fire or personal injury from reaching over a hot appliance, avoid cabinet installations directly above the range. If cabinet storage is to be provided, the risk can be reduced by installing a range hood that projects horizontally a minimum of 5 inches beyond the bottom of the cabinets.

CUTOUT DIMENSIONS			
Range Model	A	B	C
DOP36M94DL*	42" (106.7 cm)* 36" (91.4 cm)**	36" (91.4 cm)** 36 1/8" (91.7 cm)***	33 1/2" (84.8 cm)
DOP48M96DL*	54" (137.2 cm)* 48" (121.9 cm)**	48" (121.9 cm)** 48 1/8" (122.2 cm)***	9" (22.9 cm)

* Recommended ** Minimum *** Maximum

Standard Cutout with Range Hood

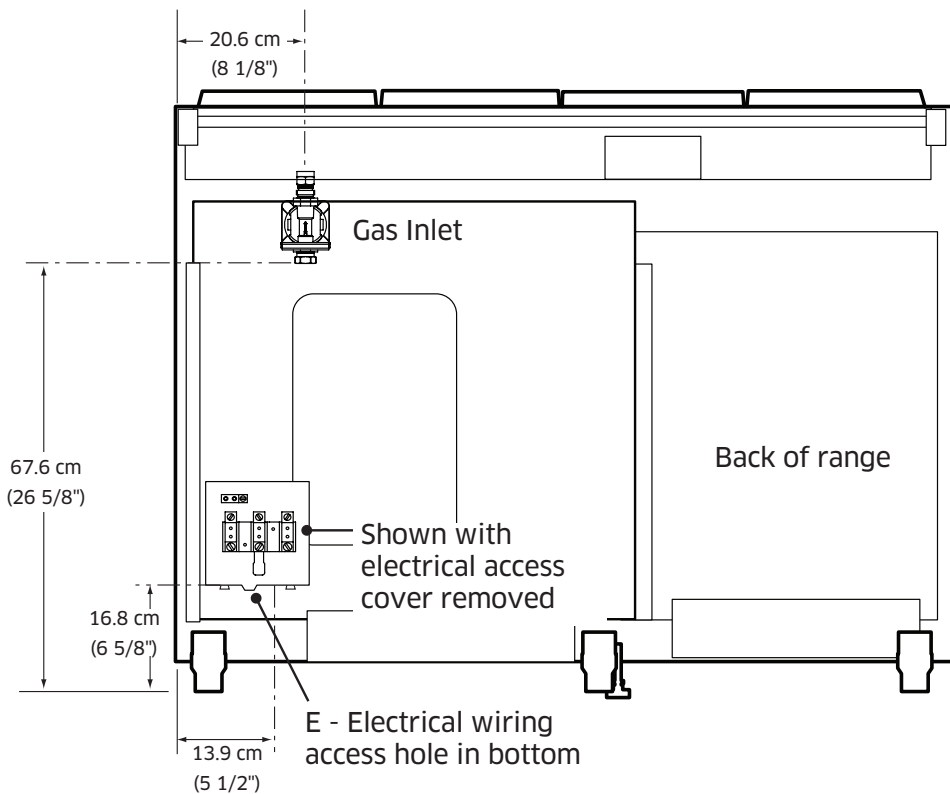


Installation requirements

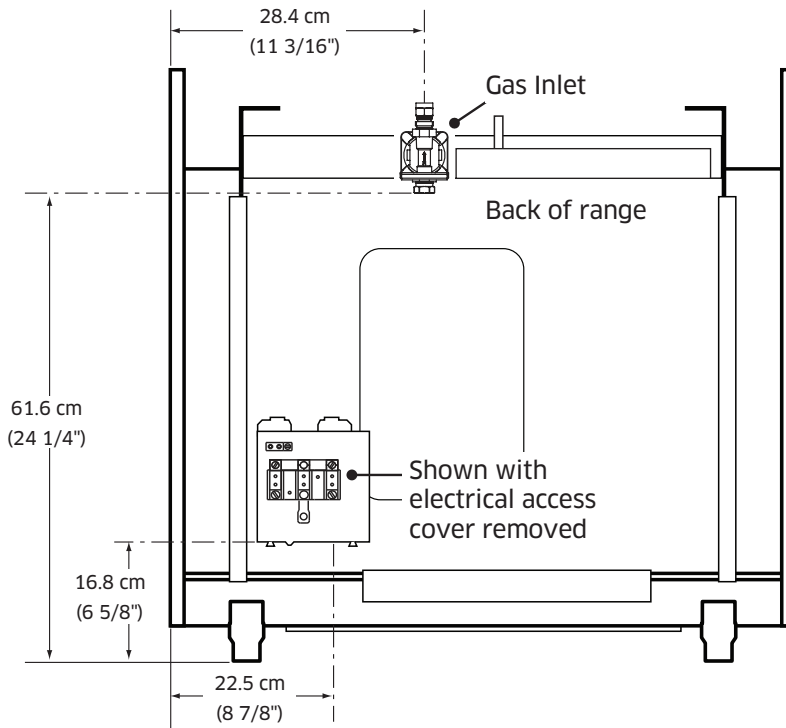
- 1 Vertical from range grate level to combustible overhead surface; if installing an overhead vent hood, also check hood specifications for minimum required clearances.
- 2 Cabinet/countertop depth is at discretion of customer but cabinet face MUST NOT protrude further than rear of front panel, see product dimensions.
- 3 Consult local code for exact location requirements.
- 4 Vertical from grate level to combustible surface.
- 5 This specification does not apply for cabinets more than a horizontal distance of 10" (25.4 cm) from the edge of the range.

Location requirements

DOP48M96DL*



DOP36M96DL*



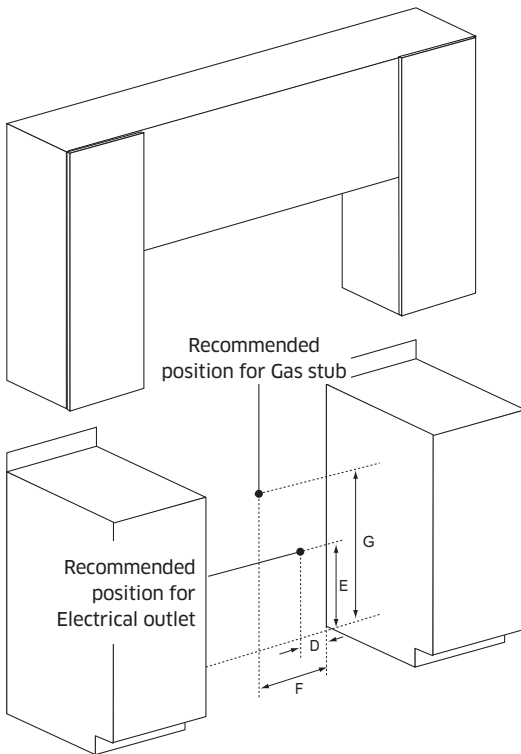
¹ Measurement with appliance legs adjusted to lowest height.

² The hole size for the electrical wiring may be increased to 1 1/8" (2.9 cm) by removing the conduit bracket in the bottom of the range electrical box.

Installation requirements

Gas and Electrical Service

- The shaded area shown below denotes the location of the gas inlet and the electrical junction box/receptacle. This is the recommended location. For replacement purposes, the location of the existing utilities may be utilized provided they do not interfere with the sides or rear of the range. Check local building codes for permissible gas valve locations.
- An external manual shut-off valve must be installed between the gas inlet and the range for the purpose of turning on or shutting off gas to the appliance. The installation must allow for the following:
 - Access to the gas shut-off valve when the unit is installed.
 - Access to the remote circuit breaker panel/fuse box, when the range is in place.
 - The gas supply piping and shut-off valve, and the electrical junction box/receptacle must be located so they do not interfere with the range when it is installed.
 - The junction box and gas shut off valve must be located so that the range can be pulled out for service while the appliance remains connected.



Model	D	E	F	G
DOP36M94DL*	8 7/8" (22.5 cm)	6 5/8" (16.8 cm)	11 3/16" (28.4 cm)	24 1/4" (61.6 cm)
DOP48M96DL*	5 1/2" (13.9 cm)	6 5/8" (16.8 cm)	8 1/8" (20.6 cm)	26 5/8" (67.6 cm)

Gas requirements

Provide adequate gas supply.

The installation of this appliance must conform with local codes or, in the absence of local codes, with the National Fuel Gas Code, ANSI Z223.1/NFPA 54.

The cooktop of this range is designed to operate at a manifold pressure of 5 in (13 cm) of water column on natural gas.

Be certain that the appliance being installed is correct for the gas service provided (natural gas).

When checking for proper operation of the regulator, the inlet pressure must be at least 1 in (2.5 cm) greater than the operating (manifold) pressure as given.

GAS SUPPLY PRESSURE REQUIREMENTS*		
Gas Type	Minimum Manifold Pressure	Minimum Gas Supply Pressure**
Natural Gas	5" Water Column	6" Water Column

* The gas supply pressure for testing the regulator setting shall be at least 1 inch water column (249 Pa) above the specified manifold pressure.

** Maximum gas supply pressure for all models: 1/2 psi.

Installation requirements

The pressure regulator located at the inlet of the cooktop manifold must remain in the supply line regardless of whether natural or LP gas is being used.

NOTE

- The rangetop has its own regulator. Use only the provided regulator, which must be installed in the gas line that runs from the cooktop gas inlet to the gas shut-off valve.
- An external manual shut-off valve must be installed between the gas inlet and the cooktop for turning on/off gas to the appliance.
- Be sure the connectors are installed by a qualified installer.
- For a new product, never install used connectors, which can leak gas and cause personal injury. Use only new, flexible connectors.

Special gas requirements (gas models sold in Massachusetts)

COMMONWEALTH OF MASSACHUSETTS REQUIREMENTS:

WARNING

- Gas leaks may occur in your system, creating a dangerous situation.
 - Gas leaks may not be detected by smell alone.
 - Gas suppliers recommend installing a UL-approved gas detector according to manufacturer specifications.
- The range must be installed by a plumber or gas fitter certified by the State of Massachusetts.
- A T-handle manual gas valve **MUST** be installed in the gas supply line to your product.
- If a flexible gas connector is used to install your cooktop, multiple flexible gas lines must not be connected in series.

Electrical requirements

- Failure to follow these instructions can result in death, fire, or electrical shock.

WARNING

- It is the owner's responsibility to make sure that the electrical service meets electrical requirements and that the electrical outlet has been properly installed by a licensed electrician.
- To reduce the risk of fire, electric shock, or personal injury:

All range

- Do not use an extension cord or adapter plug with this range.
- This range must be properly grounded.
- Check with a qualified electrician if you are in doubt as to whether your range is properly grounded.
- Do not modify the range power plug. If it does not fit the outlet, have a proper outlet installed by a qualified electrician.
- All wiring and grounding must comply with local codes or, in the absence of local codes, with the National Electrical Code, ANSI/NFPA No. 70 - Latest Revision (US), or the Canadian Electrical Code CSA C22.1 - Latest Revisions and local codes.
- Wiring diagram is located on the back of the range. (Inside of the cover back wire)
- The range's electronic ignition system will not operate if the outlet is not properly polarized.
- A dedicated circuit breaker is recommended.
- Use the chart below to determine the minimum recommended dedicated circuit protection.

KW Rating (240 V)	Recommended Circuit Size (Dedicated)
7.3 KW - 9.6 KW	40 Amp
9.7 KW - 12.0 KW	50 Amp

Installation instructions

Preparing for installation

WARNING

- If the gas or electric service provided does not meet the product specifications, do not proceed with the installation. Call the dealer, the gas supplier or a licensed electrician.
- Before installing the range, you must locate and secure the anti-tip bracket to the floor.

NOTE

Within the Commonwealth of Massachusetts, this appliance must be installed by a licensed plumber or gas fitter.

Unpacking the Range

Unpack the parts box and verify that all required components have been provided. If any item is missing or damaged, please contact your dealer immediately. Do not install a damaged or incomplete appliance.

Installing a Backguard (Optional)

Install the backguard before making the range gas and electrical connections. Install it according to the installation instructions included with the backguard kit.

Approved backguard kits:

Model	Description
APB36D3	3 inch high backguard for range model DOP36M94DL*
APB36D9	9 inch high backguard for range model DOP36M94DL*
APB48D3	3 inch high backguard for range model DOP48M96DL*
APB48D9	9 inch high backguard for range model DOP48M96DL*

Install the Anti-Tip Bracket and Foot

Locate the anti-tip bracket included in the parts box.

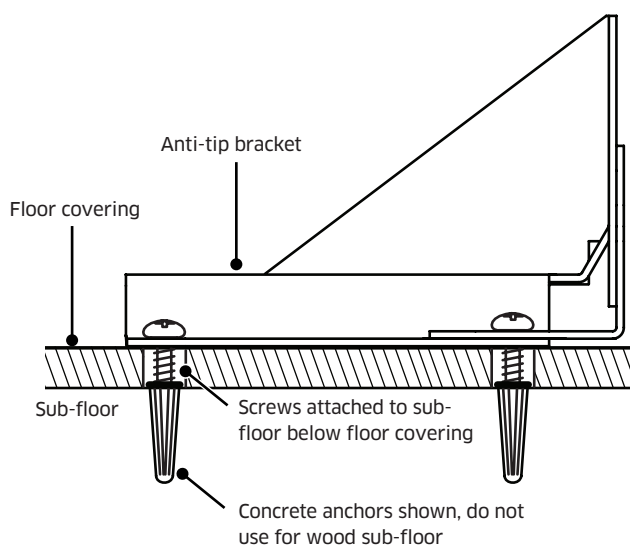
There are two ways to mount the anti-tip bracket:

- Floor mounting (preferred method)
- Wall mounting (alternate method). Use this method if floor mounting is not suitable. If the front panel of range is further than 26 1/2" (67.3 cm) from the back wall or if the flooring is too thick (see Installing the Anti-Tip Bracket on the Wall), the wall mounting method may not be used and the floor mounting method must be suitable.

Installing the Anti-Tip Bracket on the Floor

⚠ WARNING

To perform its intended function, the anti-tip bracket must be attached as instructed to the concrete slab or wood sub-floor below any floor coverings (including cement board) on top. Do not attach the anti-tip bracket directly to floor coverings such as ceramic/asphalt tile or linoleum.



Four (4) plastic anchors are provided along with three sizes (4 each) of #8 or #12 Phillips head screws for attaching the anti tip bracket to the floor. Use both the anchors and four (4) of the screws when attaching the bracket to a concrete sub-floor. Do not use the provided anchors when attaching to a wood sub-floor.

1. Determine the location of the range center line and front panel for the range's final position based on the Product Dimensions on page 5 and the actual cabinet/cutout dimensions used for the installation.
2. Determine the required position of the anti-tip bracket, based on the diagram below. Mark the four (4) mounting hole locations on the floor with a pencil.
3. Determine the screw size required. The minimum full thread depth (portion of screw threaded into wood/slab) for wood is 3/8" (1 cm) and 5/8" (1.6 cm) for concrete. See SCREW SIZE TABLE to select the correct screw size.

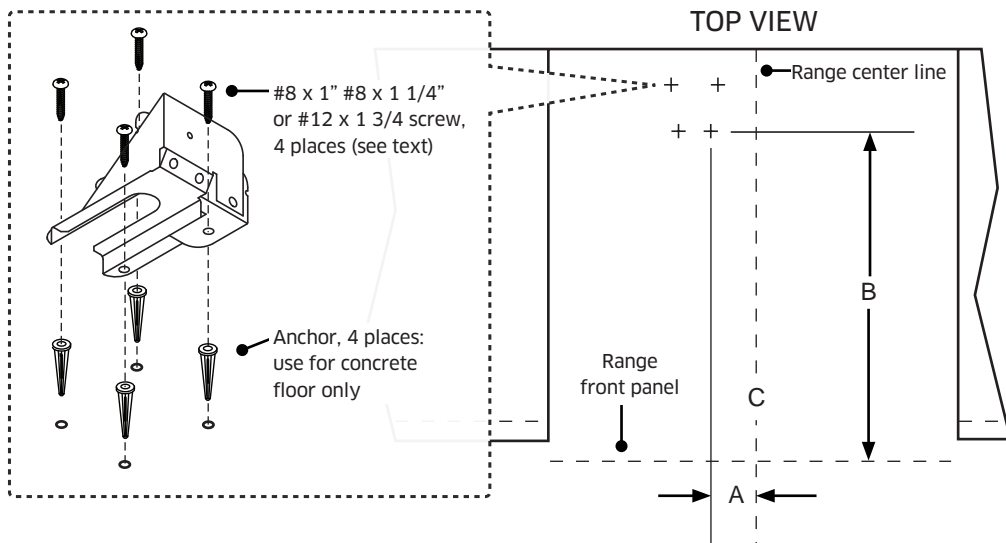
Installation instructions

Attaching the bracket to a concrete floor:

- Drill four (4) 3/8" diameter countersink holes through any existing floor covering down to the concrete slab below.
- Drill the 4 holes for the anchors 1 1/4" (3.2 cm) deep into the concrete slab using a 3/16" masonry bit. This hole length is longer than the anchor, but is required for proper installation. Clear the holes of dust and any other material. Tap each anchor into the hole until the anchor top is flush with the top of the concrete slab. Position the anti-tip bracket holes over the anchor holes. Insert the screws through the 4 holes in the base of the bracket and thread them into the anchors. Be sure the screw threads fully engage the anchor body. Tighten the screws into place.

Attaching the bracket to a wood floor:

- If there is ceramic, asphalt or other hard floor covering over the wood below, drill (4) countersink holes to allow access to the wood below for drilling pilot holes.
- Drill four (4) pilot holes into the wood floor using a drill bit (1/16" dia. for #8 screws, 1/8" dia. for #12 screws). Position the anti-tip bracket holes over the holes in the floor. Insert the screws into the wood and tighten into place.



ANTI-TIP BRACKET PLACEMENT

Dimension	DOP36M94DL*	DOP48M96DL*
A	13" (33.0 cm)	3 1/2" (8.9 cm)
B	22 1/2" (57.2 cm)	22 1/2" (57.2 cm)

SCREW SIZE TABLE	
Sub-Floor Type/Floor Covering Thickness	Screw Size
Concrete or wood subfloor, no floor covering over top	#8 x 1 *
Concrete or wood subfloor, floor covering up to 1/4" thick	#8 x 1 *
Concrete or wood subfloor, floor covering over 1/4" and up to 1/2" thick	#8 x 1 1/4 *
Wood sub-floor, floor covering over 1/2" and up to 1 3/16" thick	#12 x 1 3/4 *
Concrete under floor covering over 1/2" thick	Must be purchased separately **
Wood sub-floor, floor covering over 1 3/16" thick	Must be purchased separately **

* Included with range

** Determine required depth based on information in step 3 and purchase from local hardware store.

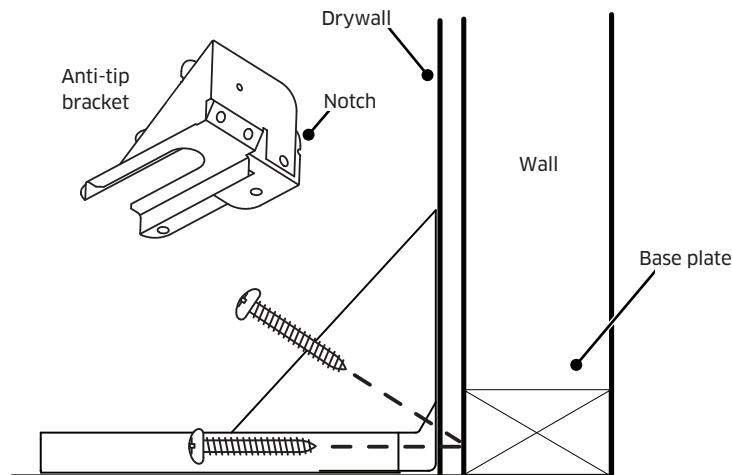
Installation instructions

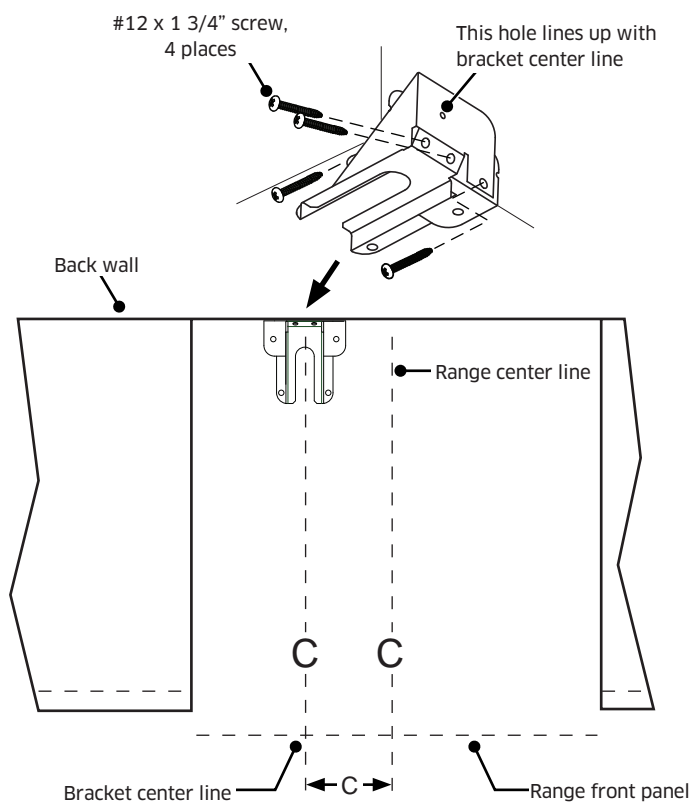
Installing the Anti-Tip Bracket on the Wall

1. Determine the suitability of wall mounting the anti-tip bracket. To use the wall mount option, the range front panel must not be more than 26 1/2" (67.3 cm) from the wall and the bracket screws must be able to thread into the base plate inside the wall behind. The notches on the sides of the bracket indicated the minimum required height of the base plate inside the wall and that any floor covering is not too thick for proper screw thread engagement.

To determine if the base plate is high enough:

- Determine the location of the range center line and front panel when the range is in its final position based on the product dimensions on page 5 and the actual cabinet/cutout dimensions used for the installation.
 - Determine and mark the required position of the anti-tip bracket, based on the diagram above. Push the bracket up against the wall in the mounting location.
 - Using a pencil, make a dot next to the notches on both sides of the bracket. Determine if the base plate is as high at the notches by drilling test holes into the wall at both dots with a 1/16" drill bit. Drill just deep enough to see if the bit contacts the base plate. If the bit contacts the base plate the location will support wall installation of the anti-tip bracket. If you do not contact the base plate, the wall mounting method may not be used and the floor mounting method must be suitable, or the wall must be modified so that the base plate is above the notches.
2. To install the bracket, place it against the wall in the mounting location. Using a drill with 1/8" diameter drill bit, drill four (4) 1 5/8" deep pilot holes perpendicular to the screw seating surfaces shown below. Attach the bracket to the wall as shown with the four (4) included #12 x 1 3/4 screws.





Top View - Location of Wall Mounted Anti-Tip Bracket

ANTI-TIP BRACKET PLACEMENT		
Dimension	DOP36M94DL*	DOP48M96DL*
C	14 1/8" (35.9 cm)	3 1/2" (8.9 cm)

Installation instructions

Removing the Oven Door

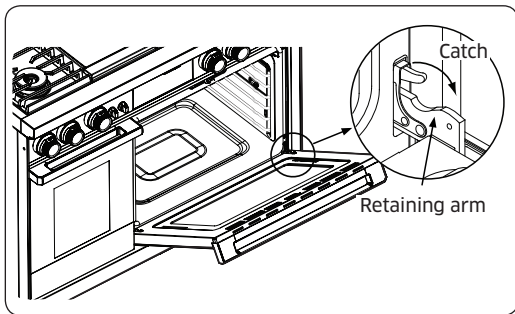
WARNING

- Do not attempt to disengage the hinge catches with the door(s) removed from the range. The hinge springs could release causing personal injury.
- Do not lift or carry the oven door(s) by the handle.

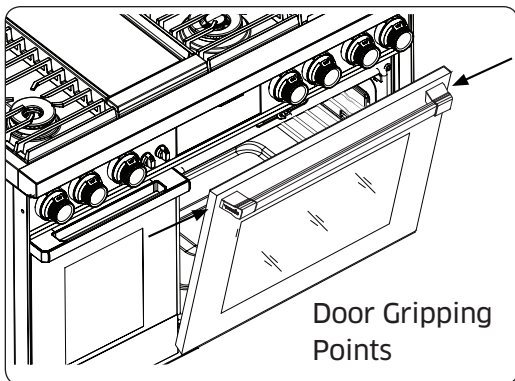
NOTE

When installing a backguard, always install it before sliding the range into place. See page 34.

To make the range easier to move, remove the door(s) to reduce weight.



1. Open the door to its fully opened position.
2. Use a pair of needle nose pliers or a flat blade screwdriver to rotate the catch over the retaining arm on each hinge.



3. Lift the oven door to about a 15° angle from the vertical position.
4. Hold the door with both hands just below the handle and pull it away from the oven while continuing to lift.

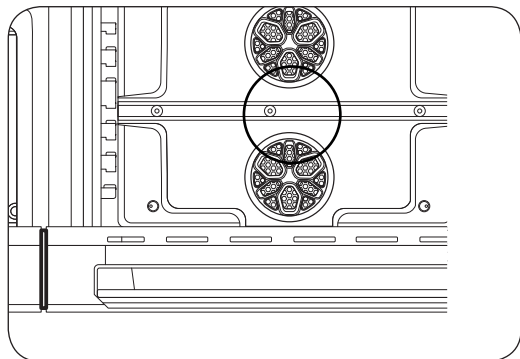
NOTE

Wire connector under the right side of the door should be disconnected while removing door. Slightly lift the door and disconnect the wire.

Electrical connection

CAUTION

For personal safety, do not use an extension cord with this appliance. Remove house fuse or open circuit breaker before beginning installation.



This appliance must be supplied with the proper voltage and frequency, and connected to an individual properly grounded branch circuit, protected by a circuit breaker or fuse having amperage as specified on the rating plate. The rating plate is located on the inner side of each side panels covering oven door.

We recommend you have the electrical wiring and hookup of your range connected by a qualified electrician. After installation, have the electrician show you where your main range disconnect is located.

Check with your local utilities for electrical codes which apply in your area. Failure to wire your oven according to governing codes could result in a hazardous condition. If there are no local codes, your range must be wired and fused to meet the requirements of the National Electrical Code, ANSI/NFPA No. 70-Latest Edition. You can get a copy by writing:

National Fire Protection Association
Batterymarch Park
Quincy, MA 02269

Installation instructions

Effective January 1, 1996, the National Electrical Code requires that new construction (not existing) utilize a 4-conductor connection to an electric range.

When installing an electric range in new construction, follow Steps 2 and 3 for 4-wire connection.

You must use a 3-wire or 4-wire, single-phase A.C. 240 Volt, 60 hertz electrical system. If the electrical service provided does not meet the above specifications, have a licensed electrician install an approved outlet.

Use only a 3-conductor or a 4-conductor UL-listed range cord. These cords may be provided with ring terminals on wire and a strain relief device.

A range cord rated at 40 amps with 125/250 minimum volt range is required.

A 50 amp range cord is not recommended but if used, it should be marked for use with nominal 1 $\frac{3}{8}$ " diameter connection openings. Care should be taken to center the cable and strain relief within the knockout hole to keep the edge from damaging the cable.

- Because range terminals are not accessible after range is in position, flexible service conduit or cord must be used.

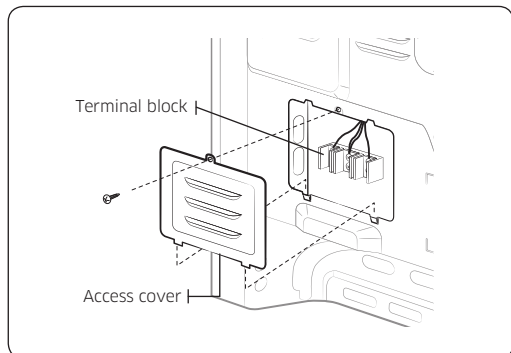
NOTE

If conduit is being used, go to **Step 4** on pages 46 - 48.



ALL NEW BRANCH-CIRCUIT CONSTRUCTIONS, MOBILE HOMES, RECREATIONAL VEHICLES AND INSTALLATIONS WHERE LOCAL CODES DO NOT ALLOW GROUNDING THROUGH NEUTRAL, REQUIRE A 4-CONDUCTOR UL-LISTED RANGE CORD.

Accessing the power cord connection



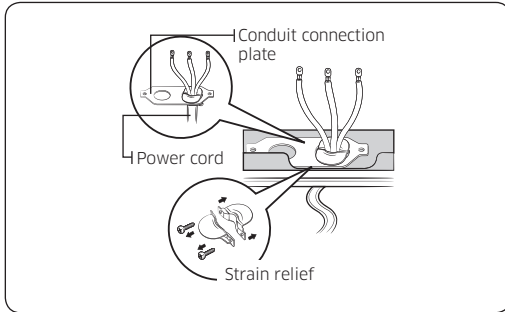
Remove the rear access cover and loosen the screw with a screwdriver. The terminal block will then be accessible.

Specified power-supply-cord kit rating

Range rating, watts	Specified rating of power-supply-cord kit, amperes	Diameter (inches) of range connection opening	
		Power cord	Conduit
240 volts 3-wire	40 or 50A	1 $\frac{3}{8}$ "	1 $\frac{1}{8}$ "
8750 - 16500			

Installation instructions

Installing the power cord



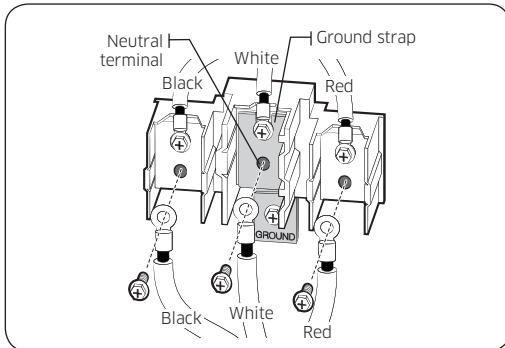
For power cord installations, hook the strain relief over the power cord hole (1 $\frac{3}{8}$ ") located below the rear of the drawer body. Insert the power cord through the strain relief and tighten the device.

- You must install the power cord with a strain relief.
- Attach the strain relief to the 1 $\frac{3}{8}$ " opening in conduit connection plate.

Installing a 3-wire power cord

WARNING

The neutral or ground wire of the power cord must be connected to the neutral terminal located in the center of the terminal block. The power leads must be connected to the lower left and the lower right terminals of the terminal block.

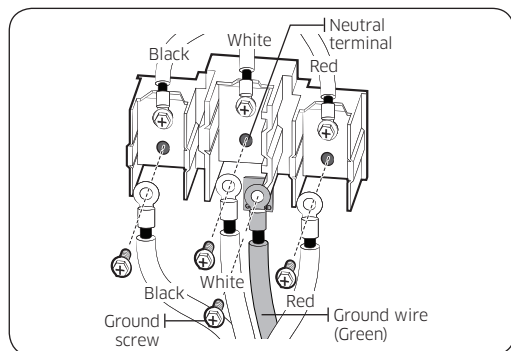
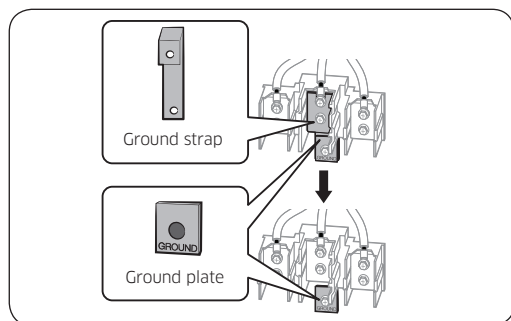


1. Remove the 3 lower terminal screws from the terminal block.
2. Insert the 3 terminal screws through each power cord terminal ring and into the lower terminals of the terminal block. Be certain that the center wire (white/neutral) is connected to the center lower position of the terminal block.
3. Tighten screws securely into the terminal block. **DO NOT remove the ground strap connection.**

Installing a 4-wire power cord

⚠ WARNING

The neutral wire of the supply circuit must be connected to the neutral terminal located in the lower center of the terminal block. The power leads must be connected to the lower left and the lower right terminals of the terminal block. The grounding lead (Green) must be connected to the frame of the range with the ground plate and the ground screw.



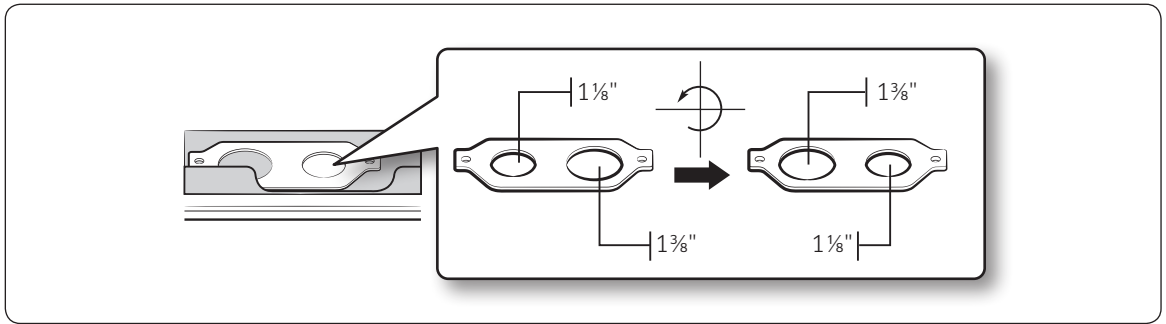
1. Remove the 3 lower terminal screws from the terminal block. Remove the ground screw and ground plate and retain them.
2. **Cut and discard the ground strap. Do not discard any screws.**
3. Insert the one ground screw into the power cord ground wire terminal ring, through the ground plate, and into the frame of the range.
4. Insert the 3 terminal screws (removed earlier) through each power cord terminal ring and into the lower terminals of the terminal block. Be certain that the center wire (white/neutral) is connected to the center lower position of the terminal block. Tighten screws securely into the terminal block.

Installation instructions

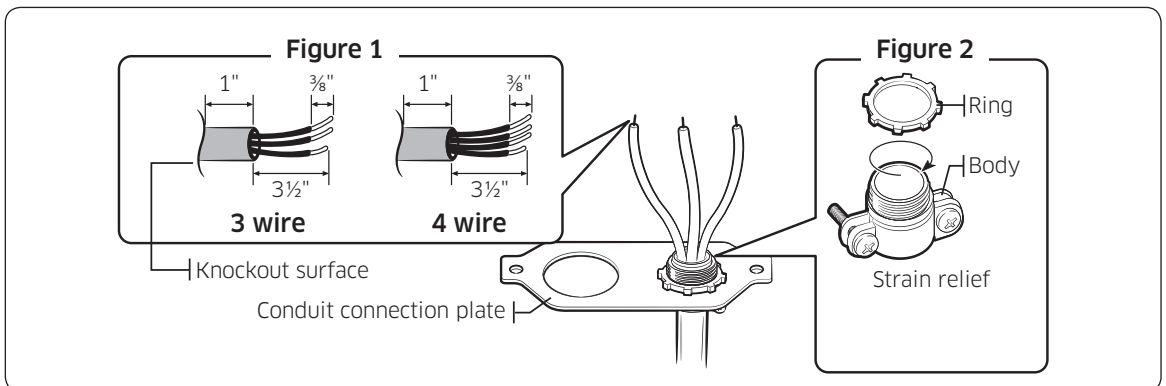
Installing the conduit

Remove the conduit connection plate from the rear of the drawer body and rotate it as shown below.

The conduit hole ($1\frac{1}{8}$ "") must be used.



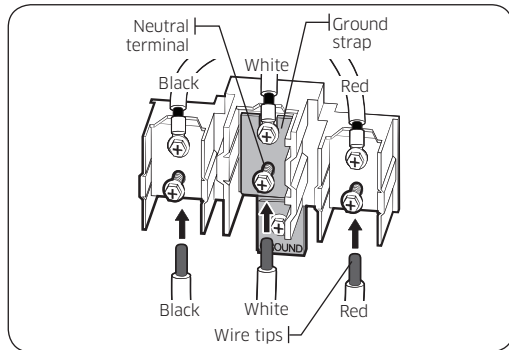
1. Prepare the conduit cord shown in Figure 1.
2. Install the conduit cord as shown in Figure 2.



For conduit installations, insert the strain relief (not included) into the conduit hole ($1\frac{1}{8}$ ""). Then thread the conduit cord through the body of the strain relief and fasten the ring. Reinstall the bracket.

Installing a 3-wire conduit

- Aluminum building wire may be used but it must be rated for the correct amperage and voltage. Connect wires according to Step 4 depending on the number of wires.
- Wire used, location and enclosure of splices, etc., must conform to good wiring practices and local codes.

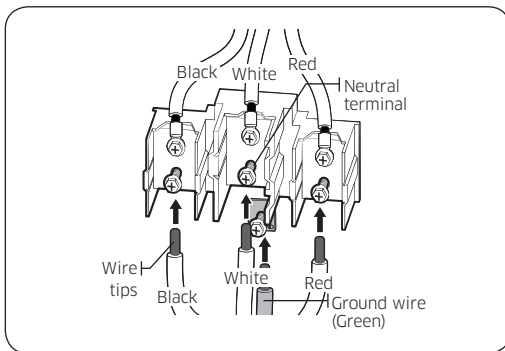
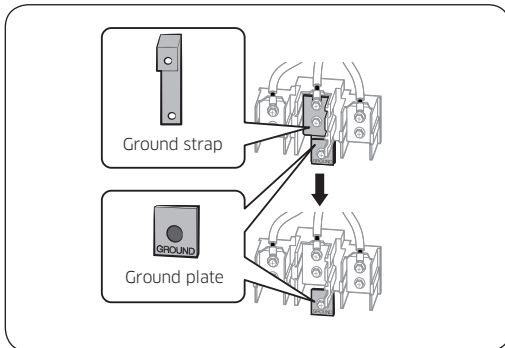


1. Loosen the 3 lower terminal screws from the terminal block.
2. Insert the center bare wire (white/neutral) tip through the bottom center terminal block opening. On certain models, the wire will need to be inserted through the ground strap opening and then into the bottom center block opening.
3. Insert the two side bare wire tips into the lower left and the lower right terminal block openings.
4. Tighten the screws until the wire is firmly secured (35 to 50 inch-lbs.). Do not over-tighten the screws since it could damage the wires.

Installation instructions

Installing a 4-wire conduit

- Aluminum building wire may be used but it must be rated for the correct amperage and voltage. Connect wires according to this Step 4 depending on the number of wires.
- Wire used, location and enclosure of splices, etc., must conform to good wiring practices and local codes.



1. Loosen the 3 lower terminal screws from the terminal block. Remove the ground screw and ground plate and retain them.
2. **Cut and discard the ground strap. Do not discard any screws.**
3. Insert the ground bare wire tip between the range frame and the ground plate (removed earlier) and secure it in place with the ground screw (removed earlier).
4. Insert the bare wire (white/neutral) tip through the bottom center of the terminal block opening.
5. Insert the two side bare wire tips into the lower left and the lower right terminal block openings.
6. Tighten the screws until the wire is firmly secured (35 to 50 inch-lbs.). Do not over-tighten the screws since it could damage the wires.

Gas connection

WARNING

- Make sure the gas supply valve is off and that the power to the range is turned off at the circuit breaker or fuse box prior to connecting the gas line.
- Do not apply excessive pressure when tightening gas connections and fittings.
- Do not use Teflon tape or plumber's putty on gas flex line connections.
- The maximum gas supply pressure to the regulator must never exceed 1/2 pound per square inch (psi) or 3.5 kPa.
- The range and shut-off valve must be disconnected from the gas supply piping during any pressure testing exceeding 1/2 psi (3.5 kPa).
- The range must be isolated from the gas supply piping by closing the shut-off valve during any pressure testing at or below 1/2 psi (3.5 kPa).
- Check all gas lines for leaks as instructed to avoid a fire or explosion hazard. Do not use a flame to check for leaks.

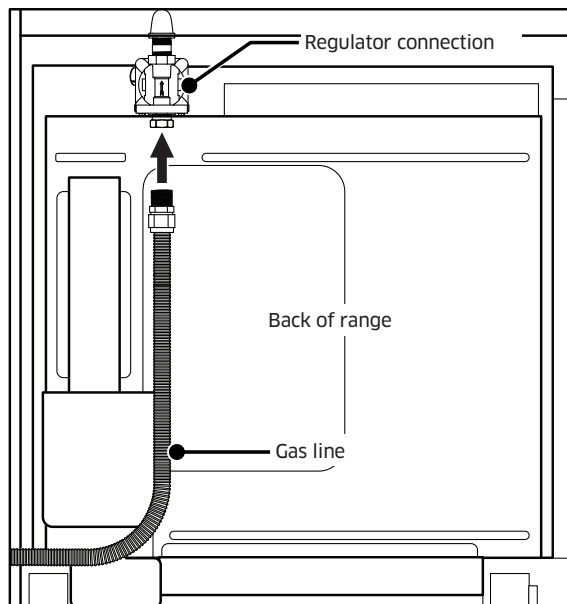
NOTE

The gas pressure regulator is pre-set at the factory for the type of gas intended for use with the appliance. To verify that the appliance is compatible with the type of gas available, check the range rating label (see page 7 for location). Consult your dealer if the range is not compatible with the type of gas supplied.

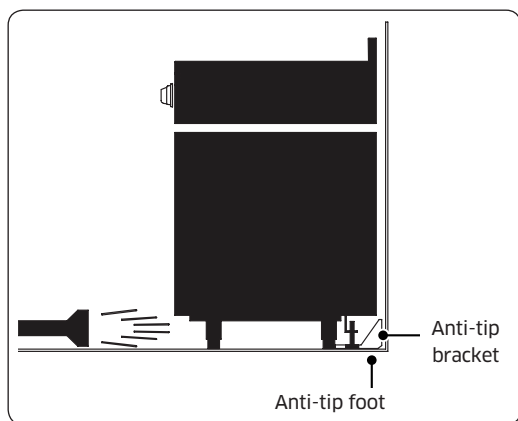
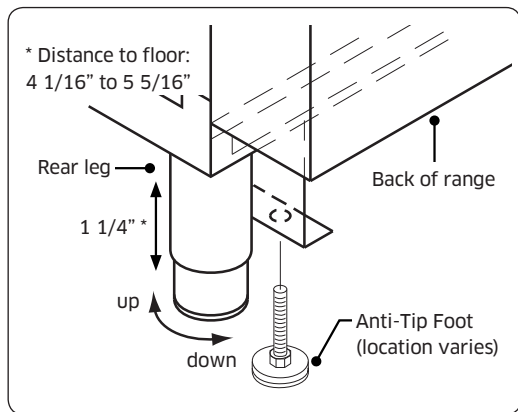
Installation instructions

Before sliding the range into the cabinet:

1. Make sure the gas supply valve is in the off position and that power to the range is off.
2. Connect a flexible gas supply line to the gas shut-off valve previously installed on the stub out. The gas line needs to be long enough to allow the range to be pulled out for service.
3. Slide the gas line up through the access holes in the chassis and up to the regulator. Move the wires around inside the access holes to prevent them from catching on the gas line as you push it up.
4. Connect the gas line to the regulator.
5. Turn all cooktop control valves to the "OFF" position. Turn on the gas supply.
6. Check all lines and connections for leaks using a soap and water solution.
7. After verifying that there are no gas leaks, turn off the gas supply valve connected to the range to the "OFF" position.



Final installation



1. Peel the protective coating off of the range, including the door.
2. Measure from the floor to the countertop. Adjust the leveling legs as required to position the trim around the cooktop even with or above the countertop.
3. Locate the anti-tip foot on the back of the range and lower (turn) it until it is 1/16" (2 mm) off the floor.
4. Carefully slide the range into position into the cutout. The anti-tip foot should engage the anti-tip bracket. Using a flashlight look underneath the range and verify that the bracket covers the anti-tip foot.
5. Use a level to make sure that the range does not tilt front to back or side to side. Re-adjust the legs to level and change the height if necessary.

Installation instructions

Re-installing the Oven Door(s)

⚠ WARNING

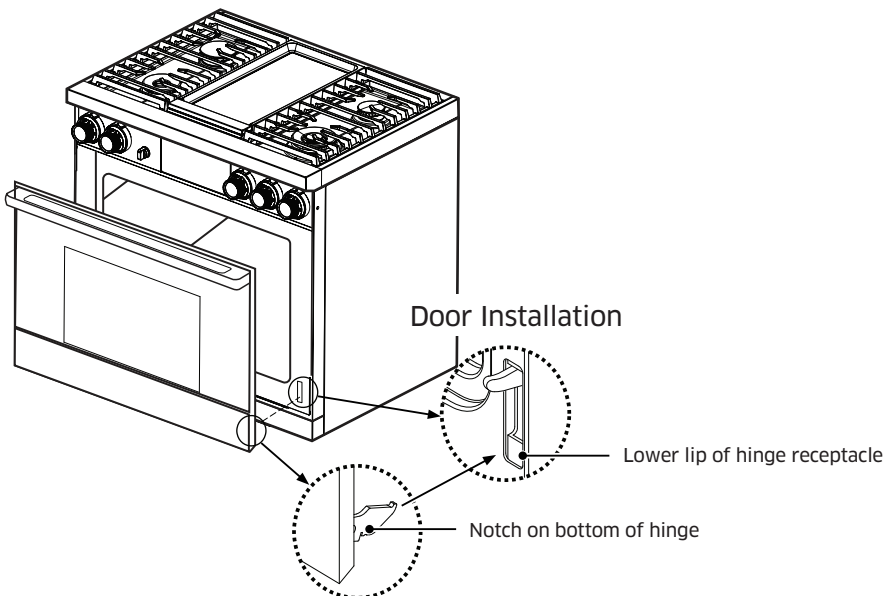
To avoid personal injury or damage to the door from it falling off its hinges:

- Make sure that the notch on the bottom of each hinge rests on top of the lower lip of each hinge receptacle before attempting to open the oven door.
 - Rotate the hinge locks toward the front of the range immediately after installation of the door.
1. Grasp the oven door on opposite sides and hold it at a 15° angle from the front of the oven. Slide the hinges into the hinge openings, resting the bottom of the hinge arms on the hinge receptacles. Continue to hold the door at a 15° angle with one hand while pushing in on each of the bottom corners of the door. Push until the notch on the bottom of each hinge slips over the lower lip of each hinge receptacle.

📄 NOTE

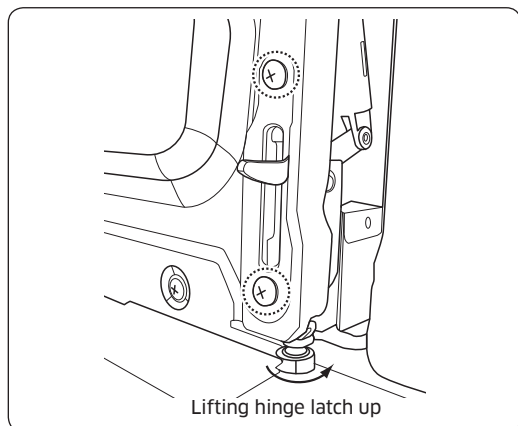
Wire connector under the right side of the door should be connected.

2. Lower the door to the fully opened position.
3. Rotate the two hinge locks toward the oven.
4. Slowly and carefully open and close the door completely to ensure that it is properly installed.
5. Remove any packaging from inside the oven(s).



Door adjustment (DOP48M96DL* Only)

After re-installing the oven doors, make sure the oven doors to be parallel and flush. There are 3 bolts around the Steam oven, one on the right-upper side of the steam oven, and two under the each door hinge. The upper bolt helps adjusting the door back and forth. The lower two bolts help adjusting the door up and down.

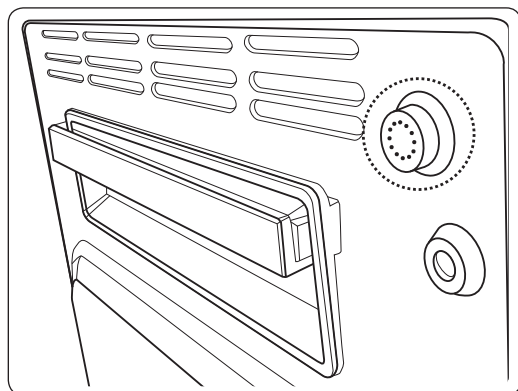


To adjust door up and down

1. Remove door and remove 2 screws on door hinge latch.
2. Turn the bolt under each door hinge latch.
3. After adjusting the door hinge latch, fasten the 2 screws again.
4. Re install the door.

NOTE

Lifting the door hinge latch too much will make it hard to fasten the two screws. Make sure the door hinge latch is firmly fixed after adjustment.



To adjust door back and forth, turn the upper bolt as shown on the left picture.

Installation instructions

Installing the knobs for surface burners

⚠ WARNING

Installing the range knobs in the wrong position may result in damage to the griddle included with the range. The knobs for the center burners are marked with the maximum griddle settings.

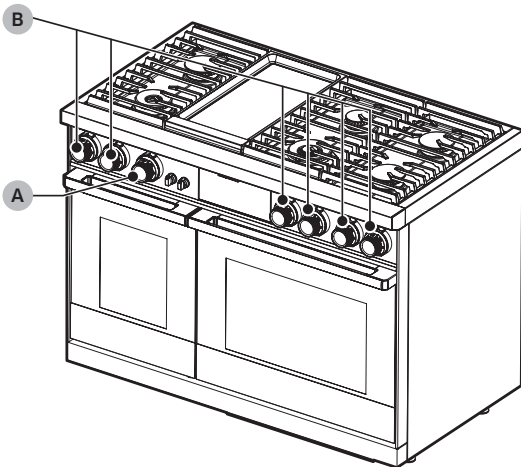
📄 NOTE

When installing the knobs, align the “D” shaped opening on the back of the knob with the end of the valve shaft. Carefully push the knob on until it stops.

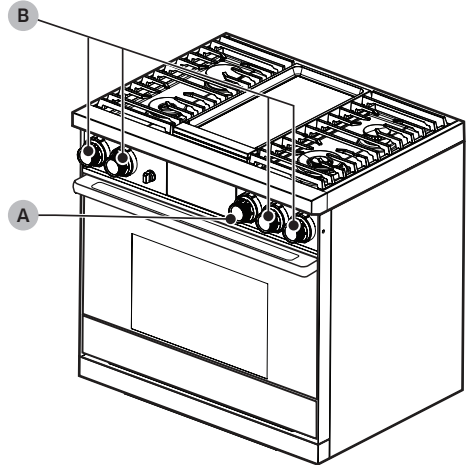
There are two (2) different types of knobs supplied with the range. One is for griddle and other is for burners. Knob without flame image is for griddle.

1. Put the knob without flame image, which represents LITE position, on position **A**.
2. Put the remaining knobs **B** on the outer valve shafts.

48" Model: DOP48M96DL*



36" Model: DOP36M94DL*

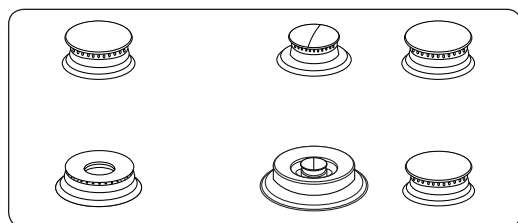


Cooktop assembly

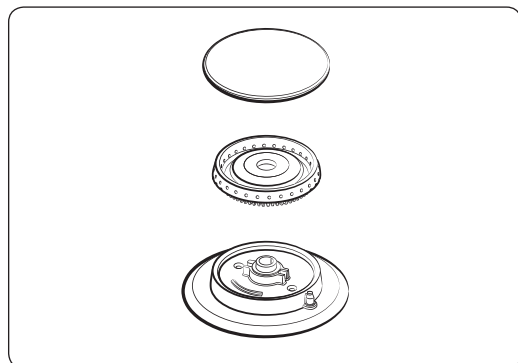
Assembling the rangetop burners

CAUTION

- Do not operate the rangetop burners without all burner parts in place.
- Do not push in any rangetop controls while removing the burner; a slight electrical shock might result, perhaps causing you to knock over hot cookware.
- Do not risk electric shock by removing the top or touching the electrode of any burner while another burner is on.

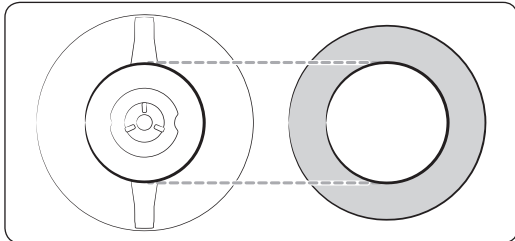
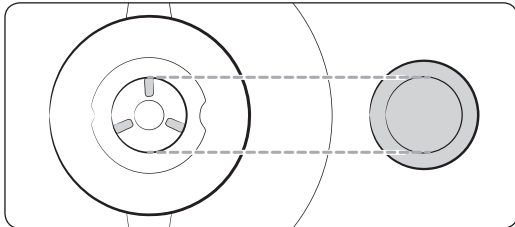
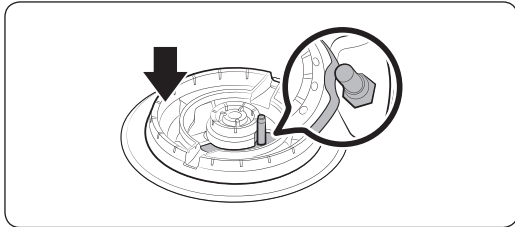
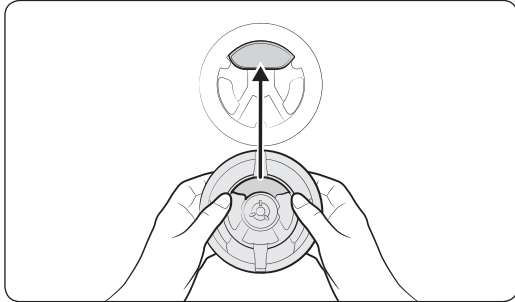


1. Place the burner heads on the burner bases as shown at left. (The electrodes fit in the slot in the bottom of the heads.) The heads should be flat and parallel to the rangetop.
2. Place the matching size caps on top of each rangetop burner head.



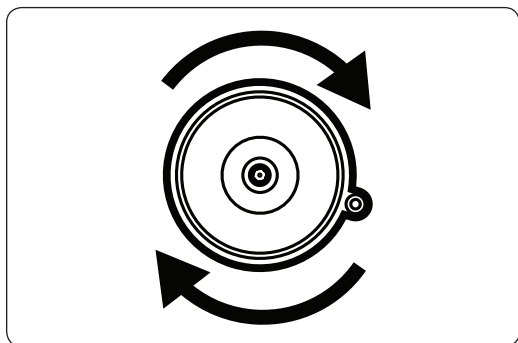
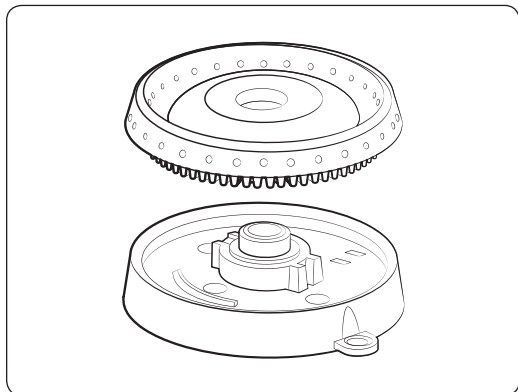
Installation instructions

Dual Burner head / caps



1. Orient the burner head so the opening for the electrode aligns with the electrode.
2. Install the burner head so the electrode passes through its opening in the head. Ensure the burner head lies flat on the stove top.
3. Match the burner caps to the burners by size, then install the caps on the heads.

Round Burner head / caps



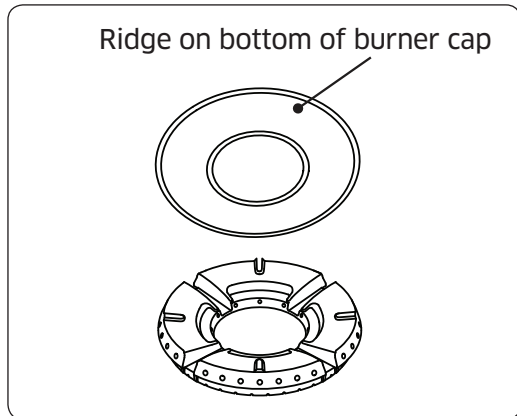
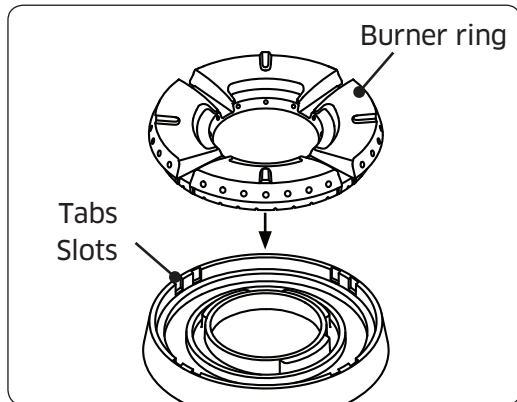
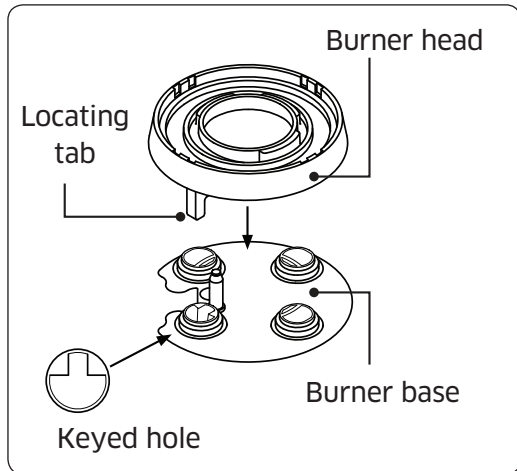
1. Put the burner heads on the burner bases as shown at left. The bottom of the head fits within the burner base.
2. Turn the head until it drops into place. Twist the head back and forth slightly to ensure it is properly seated.
3. Put the burner caps (brass or porcelain) atop the burner heads. The ridge around the bottom edge of the cap fits around the top of the burner head.

CAUTION

Ensure all burner components (heads and caps) rest flat and snugly in place.

Installation instructions

SimmerSear Burner Assembly (18K BTU Burner)



1. Put the burner heads in place as shown below. The locating tab on the burner head goes in the keyed hole as shown.
2. Put the burner rings on the burner heads as shown below. Match the tabs on the bottom of the ring to the slots on the burner head. Twist each ring back and forth slightly to make sure it is properly seated.
3. Put the burner caps on top of the burner rings. You may use either the supplied brass or porcelain caps. The ridge around the bottom edge of the cap goes around the top of the burner ring.

! WARNING

Be sure electrical power is off and all surfaces are cool before cleaning any part of the cooktop.

Installing the grates

NOTE

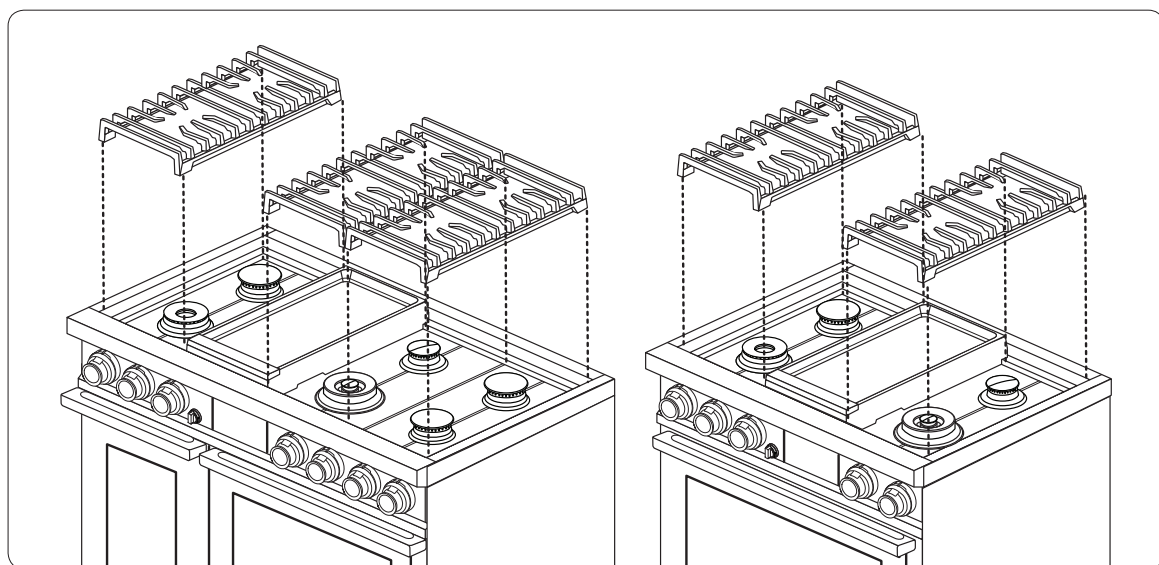
For best results and longest life, install the grates as instructed below. When installed properly, the openings in the grates are centered over the burners.

The grates occupy specific positions on the rangetop. For maximum stability and safe operation, these grates should only be used in their proper positions.

The back of the right grate is notched to help orient the grates correctly. (See the graphic below.)

To correctly position the grates:

1. Find the notch on the back of the right-hand grate, and orient the grate properly above the right-hand burners.
2. Gently lower the right-hand grate so its legs rest in the corresponding dimples on the cooktop.
3. Likewise place the remaining grates so their feet rest in the corresponding dimples.



NOTE

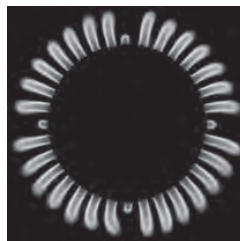
Grates are not interchangeable. Each grate has own engraving under it. It tells you which the front side of grate is and proper position, left, center or right.

Installation instructions

Verifying proper operation

Before operating the range, read the accompanying use and care manual completely. It contains Important safety, service and warranty information.

1. Before beginning the test procedure, ensure that all cooktop control valves are in the OFF position, and all burner rings, burner caps, and grates are properly positioned on the cooktop frame.
2. Turn on the gas supply at the shut-off valve. Check for gas leaks.
3. Turn on power to the range at the circuit breaker or fuse box.
4. Follow the prompts on the oven's display to set up the user preferences and wireless network settings.
5. Touch the MENU key on the display.
6. Touch the BAKE key on the display. The default bake temperature should appear on the display .
7. Touch Start. After 3 minutes, open the door to make sure the air inside oven has begun to heat.
8. The display should show BAKE, and the preheating temperature.
9. Touch **OFF** to stop oven heating process.
10. Test one of the burners by pushing the knob in and turning it counterclockwise to the HIGH position. It may take up to four seconds for ignition to occur, at which time the ignitor will stop sparking. If ignition does not occur within four seconds, turn off the knob, wait for at least five minutes to allow any gas to dissipate, then repeat the ignition test. After ignition, rotate the control knob counterclockwise from HIGH to LOW to adjust the flame height progressively. When the range is installed properly, the flame will be steady and quiet. It will also have a sharp, blue inner cone that will vary in length proportional to the burner size.
11. Turn the control knob to the OFF position.
12. Repeat the ignition test for all remaining burners.



Normal Flame

If the range does not operate properly, follow these troubleshooting steps:

1. Verify that power and gas are supplied to the range.
2. Check the electrical connections and gas supply to ensure that the installation has been completed correctly.
3. Repeat the above bake test or burner ignition test.
4. If the appliance still does not work, contact Dacor Distinctive Service at (800) 793-0093 ex. 2822. Do not attempt to repair the appliance yourself. Have the model and serial numbers available when you call. See page 7 for location.

Dacor is not responsible for the cost of correcting problems caused by a faulty installation.

Removal and Re-installation

Removing the Range for Service

1. Turn the gas supply valve to the off position.
2. Turn off power to the range at the circuit breaker panel or fuse box.
3. Pull the range out from the wall

Reinstalling the Range After Service

1. Push the range into operating position, making sure the anti tip bracket is engaged (see page 51).
2. Turn on power to the range at the circuit breaker panel or fuse box.
3. Turn the gas supply valve to the on position.

Installation instructions

Installation checklist

WARNING

- To ensure a safe and proper installation, the following checklist should be completed by the installer to ensure that no part of the installation has been overlooked.
- Proper installation is the responsibility of the homeowner. The importance of proper installation of your Dacor range cannot be overemphasized.
 - Has the plastic coating been peeled off the outside of the range? Have all packaging materials been removed from inside the oven?
 - Are all leveling legs extended down to make contact with the floor? Is the unit level? See page 51.
 - Is the range secured in place with the provided anti-tip bracket and foot according to these instructions? See pages 34 and 51.
 - Is the range wired and grounded according to these instructions and in accordance with all applicable electrical codes? Has the electrical access cover been replaced? See pages 33 and 41 to 48.
 - Has the gas supply inlet pressure been measured to ensure that it does not exceed the maximums stated in these instructions. See page 31.
 - Is the range connected to the gas supply according to these instructions and in accordance with all applicable codes? Did the installer check the gas supply for leaks? Has the gas regulator cover been re-installed? See page 31.
 - Is the oven door properly installed according to these instructions? See page 16.
 - Have the burner knobs been installed in the proper locations? See page 52.
 - Are the burners and grates properly installed according to these instructions? See page 55.
 - Has proper operation been verified? Has the warranty been activated on-line or the warranty card been filled out completely and mailed?



Please visit www.Dacor.com to activate your warranty online.

WARRANTY INFORMATION



IMPORTANT:

Your warranty will not begin until you activate it online or return this form to Dacor. If you have purchased more than one Dacor product, please return all forms in one envelope, or activate the warranty for each product online.

Please rest assured that under no conditions will Dacor sell your name or any of the information on this form for mailing list purposes. We are very grateful that you have chosen Dacor products for your home and we do not consider the sale of such information to be a proper way of expressing our gratitude!

Owner's Name:

Street: _____
Last (Please Print or Type) First Middle

City: _____ State: _____ Zip: _____

Purchase Date: _____ **Email:** _____ **Telephone:** _____

Dealer: _____

City: _____ State: _____ Zip: _____

Your willingness to take a few seconds to fill in the section below will be sincerely appreciated. Thank you.

1. How were you first exposed to Dacor products? (Please check one only.)

- A. T.V. Cooking Show
- B. Magazine
- C. Appliance Dealer Showroom
- D. Kitchen Dealer Showroom
- E. Home Show
- F. Builder
- G. Architect/Designer
- H. Another Dacor Owner
- I. Model Home
- J. Other _____

2. Where did you buy your Dacor appliances?

- A. Appliance Dealer
- B. Kitchen Dealer
- C. Builder Supplier
- D. Builder
- E. Other _____

3. For what purpose was the product purchased?

- A. Replacement **only**
- B. Part of a Remodel
- C. New Home
- D. Other _____

4. What is your household income?

- A. Under \$75,000
- B. \$75,000 - \$100,000
- C. \$100,000 - \$150,000
- D. \$150,000 - \$200,000
- E. \$200,000 - \$250,000
- F. Over \$250,000

5. What are the brands of appliances that you have in your kitchen?

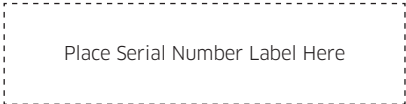
- A. Cooktop _____
- B. Oven _____
- C. Dishwasher _____
- D. Refrigerator _____

6. Would you buy or recommend another Dacor product?

- Yes
- No

Comments: _____

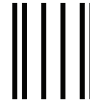
Thank you very much for your assistance. The information you have provided will be extremely valuable in helping us plan for the future and giving you the support you deserve.



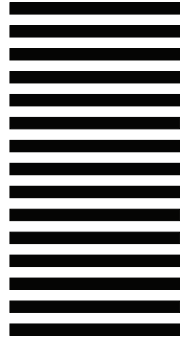
Place Serial Number Label Here

cut here

cut here



NO POSTAGE
NECESSARY
IF MAILED
IN THE
UNITED STATES



BUSINESS REPLY MAIL
FIRST-CLASS MAIL PERMIT NO 1600 CITY OF INDUSTRY CA

POSTAGE WILL BE PAID BY ADDRESSEE

DACOR
ATTN: WARRANTY PROCESSING DEPT
PO BOX 90070
CITY OF INDUSTRY, CA 91715-9907



fold here



DG68-00936A-00

