

**Danby**<sup>®</sup>  
*Designer*

**COMPACT REFRIGERATOR  
RÉFRIGÉRATEUR COMPACT  
REFRIGERADOR COMPACTO**

€OWNER'S USE AND CARE GUIDE

€GUIDE D'UTILISATION ET SOIN DE PROPRIÉTAIRE

€GUÍA DE UTILIZACIÓN Y CUIDADO PARA EL PROPIETARIO

MODEL € MODÈLE € MODELO

DCR031B1BSLDD / DCR031B1WDD



# CONTENTS / TABLE DE MATIÈRES / ÍNDICE

## COMPACT REFRIGERATOR

### Owner's Use and Care Guide..... 1-9

- Safety Instructions
- Installation Instructions
- Features
- Operation Instructions
- Door Reversal Instructions
- Care and Maintenance
- Troubleshooting
- Warranty

## RÉFRIGÉRATEUR COMPACT

### Guide d'utilisation et soins de propriétaire.....10-18

- Consignes de sécurité
- Consignes d'installation
- Caractéristiques
- Consignes d'utilisation
- Changement du sens d'ouverture de la porte
- Soins et entretien
- Dépannage
- Garantie

## REFRIGERADOR COMPACTO

### Guía de utilización y cuidado para el propietario..... 19-27

- Instrucciones de seguridad importantes
- Instrucciones de instalación
- Características
- Instrucciones operadoras
- Cambio del sentido del movimiento de la puerta
- Cuidado y mantenimiento
- Solución sugerida
- Garantía



### CAUTION

Read and follow all safety rules and operating instructions before first use of this product.



### PRÉCAUTION

Veillez lire attentivement les consignes de sécurité et les instructions d'utilisation avant l'utilisation initiale de ce produit.



### PRECAUCIÓN

Lea y observe todas las reglas de seguridad y las instrucciones de operación antes de usar este producto por primera vez.

# IMPORTANT SAFETY INFORMATION

## READ ALL SAFETY INFORMATION BEFORE USING

Please ensure that component parts shall be replaced with like components and that servicing shall be done by factory authorized service personnel, so as to minimize the risk of possible ignition due to incorrect parts or improper service.

## GROUNDING INSTRUCTIONS

This appliance must be grounded. In the event of an electrical short circuit, grounding reduces the risk of electrical shock by providing an escape wire for the electrical current.

This appliance is equipped with a cord having a grounding wire with a grounding plug. The plug must be plugged into an outlet that is properly installed and grounded.

### DO NOT USE AN EXTENSION CORD

Use an exclusive 115V wall outlet. Do not connect your refrigerator to extension cords or together with any other appliance in the same wall outlet. Do not splice the cord.

## BEFORE FIRST USE

Before connecting the appliance to an electrical power supply, let it stand for about 24 hours, which will reduce the possibility of malfunctions in the cooling system due to transport handling.

Clean the appliance thoroughly, especially in the interior (See "Care and Maintenance" section).

### READ INSTRUCTIONS BEFORE USE

These instructions for use are intended for the user. They describe the appliance and the correct operating procedures for safe use.

## WARNING:

Improper use of the grounding plug can result in a risk of electric shock. Consult a qualified electrician or service agent if the grounding instructions are not completely understood or if doubt exists as to whether the appliance is properly grounded.

## IMPORTANT WARNING!

An empty refrigerator is a very dangerous attraction to children. Remove the gasket, latches, lids or doors from unused appliances, or take some other action that will guarantee the appliance harmless.

**DANGER:** Risk of child entrapment. Before you throw away your old refrigerator:

€ Take off the doors.

€ Leave the shelves in place so that children may not easily climb in.

**DON•T WAIT! DO IT NOW!**

## WARNING! EXPLOSION HAZARD!

Risk of fire or explosion due to puncturing of refrigerant tubing. Do not use sharp objects to aid in defrost. Please handle with care. Keep flammable materials and vapors such as gasoline away from the refrigerator. Use nonflammable cleaner.

Disposal of this unit should be in accordance with federal and local regulations.

## SAVE THESE INSTRUCTIONS!

# IMPORTANT SAFETY INFORMATION

## READ ALL SAFETY INFORMATION BEFORE USING

### SAFETY PRECAUTIONS

When throwing away an old fridge equipped with a door lock that cannot be opened from the inside, make sure that the lock is removed, disabled or destroyed before discarding. This will make it impossible for children to accidentally lock themselves inside the appliance and suffocate.

The appliance must be properly connected to an electrical power supply (See: "Connection to Power Supply".)

If the food has a strange smell or colour throw it away because it is very likely that it is spoiled and therefore is dangerous to consume.

Always disconnect the appliance from the power supply before cleaning the appliance and replacing the light bulb.

**WARNING:** Repairs should be performed by qualified service personnel only.

Do not defrost the appliance with other electric appliances (for example a hair dryer) and never attempt to scrape/remove ice/frost with sharp objects. Use only enclosed tools or tools recommended by the manufacturer.

The rating plate containing Model No/Serial No and other technical data specific to this unit, is located either inside the appliance or outside on the rear wall.

### DISPOSING WORN OUT APPLIANCES

The refrigerator system of the appliance is filled with refrigerant and insulating substances which should be separately treated and processed. Call your nearest authorized service agent or specialized servicing center. If you are unable to locate one, contact your local authorities or your distributor. Be careful not to damage the tubes on the rear wall of the appliance.

### ENERGY SAVING TIPS

Try not to open the door too often, especially when the weather is hot and humid. Once you open the door, close it as soon as possible.

Every now and then check if the appliance is sufficiently ventilated (adequate air circulation behind the appliance.)

Set the thermostat from cooler to warmer settings whenever possible (depending on how loaded the appliance is, ambient temperatures etc.)

Before loading the appliance with packages of hot foods, make sure that they are cooled to ambient temperature.

Ice and frost layers increase energy consumption, so clean the appliance as soon as the frost layer is 3-5mm thick.

If the gasket is damaged or the door seal is poor, energy consumption is substantially higher. To restore efficiency, replace the gasket.

Always consider instructions stated in sections "Choosing the right location" and "Energy Saving Tips", otherwise the energy consumption is substantially higher.

## SAVE THESE INSTRUCTIONS!

# INSTALLATION INSTRUCTIONS

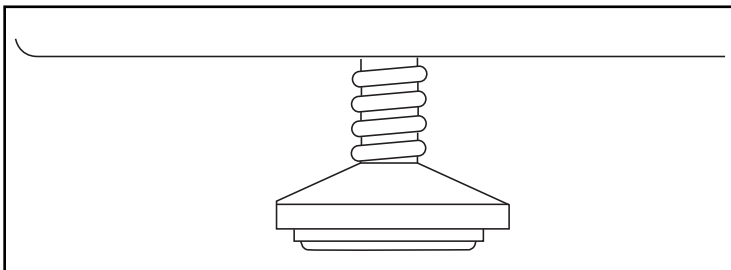
Remove exterior and interior packagings, wipe the outside thoroughly with a soft dry cloth and the inside with a wet, lukewarm cloth. Avoid placing the unit in a narrow recess or near any heat source, direct sunlight, or moisture. Let air circulate freely around the unit. Keep the rear of the refrigerator 5 inches away from the wall.

## CHOOSING THE RIGHT LOCATION

- 1) Select a place with a strong, level floor.
- 2) Allow 5 inches of space between the back of the refrigerator and any adjacent wall.
- 3) Avoid direct sunlight and heat. Direct sunlight may affect the acrylic coating. Heat sources nearby will cause higher electricity consumption.
- 4) Avoid very moist places. Too much moisture in the air will cause frost to form very quickly on the evaporator, and your refrigerator will have to be defrosted more frequently.

## INSTALLATION

Place the appliance firmly on a solid base. Some appliances have adjustable feet on the front side; use them to level the appliance.



### NOTES:

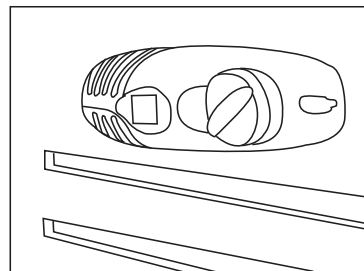
- This appliance is intended for FREE-STANDING INSTALLATION ONLY, and is NOT intended to be built-in.
- Before connecting this appliance to electrical power supply, leave it to stand for approx. 24 hours, which will reduce the possibility of malfunction in the cooling system due to transport handling.
- This appliance is approved for INDOOR USE ONLY and is NOT intended for outdoor operation.

## CONNECTION TO POWER SUPPLY

Connect the appliance power cord to a properly grounded wall outlet. The required nominal voltage and frequency are indicated on the rating plate (inside the unit or on the exterior rear wall of the unit.)

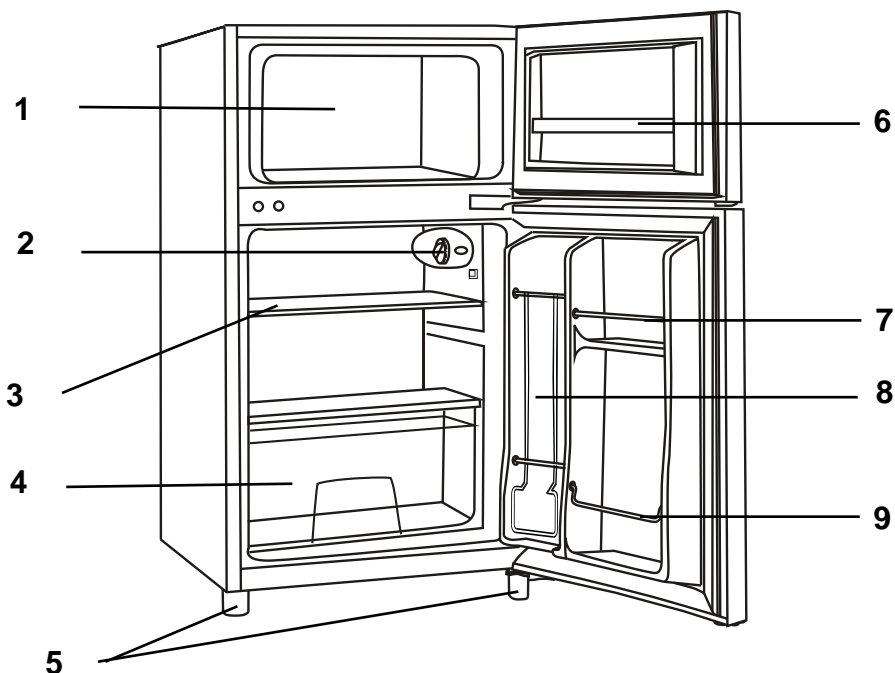
## BULB REPLACEMENT

- Unplug the AC power cord from the wall.
- Make sure the light bulb is cool before removing.
- Remove the screw that holds the light bulb cover.
- Squeeze the tabs at the top and bottom of the light bulb cover simultaneously.
- Remove the light bulb cover.
- Unscrew the bulb.
- Replace with a 10 watt bulb that is the same shape and size.
- Replace the light bulb cover.



# FEATURES

- 1 Freezer compartement
- 2 Temperature control (with integrated interior light assembly)
- 3 Wire shelf
- 4 Crisper with glass cover
- 5 Leveling legs
- 6 Freezer door bin
- 7 Refrigerator door bin
- 8 CANSTOR™ beverage can dispenser
- 9 2-Liter bottle bin.



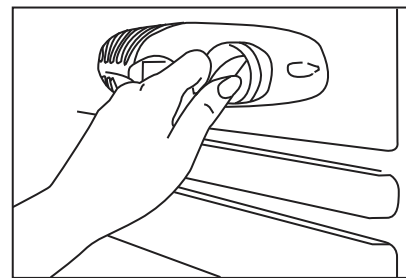
# OPERATING INSTRUCTIONS

## TEMPERATURE SELECTION

- The first time you turn the unit on, set the temperature control to “7,” the coolest setting.
- The range of temperature controls are from position “0,” or NO COOLING to “7”, the coldest. After 24 to 48 hours, adjust the temperature control to the setting that best suits your needs. The setting of “4” should be correct for home or office refrigerator use.

### NOTE:

- If the unit is unplugged, has lost power, or has been turned off, you must wait 3 to 5 minutes before restarting the unit. If you attempt to restart before this time delay, the refrigerator will not start.
- Turning the refrigerator temperature control to the “0” position stops the cooling cycle but does not shut off the power to the unit.



## INTERIOR LIGHT

When you open the door the light will be ON automatically. When you close the door the light will turn OFF automatically.

# OPERATING INSTRUCTIONS

## DEFROSTING YOUR APPLIANCE

Defrosting of your refrigerator should take place whenever ice build-up inside the freezer compartment reaches 1/4" (6mm) thick. Defrosting may take a few hours, depending on the amount of accumulated ice and ambient indoor temperature. To speed up the defrosting process, remove all frozen foods from the freezer section. Leaving the door partially ajar for a short period of time will also speed up the process.

**Note:** Never use sharp or pointed instruments to remove ice from the freezer compartment. The freezer compartment contains refrigerated gas lines and if accidentally punched/pierced, will render the refrigerator inoperable and void the manufacturer's warranty.

### **DO NOT ALLOW THE REFRIGERATOR TO CONTINUE OPERATION IF THE FREEZER COMPARTMENT IS PIERCED.**

After defrosting is complete, set the control to maximum for 2 to 3 hours before returning to the desired position. When the refrigerator is not to be used for a long period of time, disconnect the appliance from the electrical supply and leave the door partially open. This will help to reduce mold and mildew build-up.

**Note:** Wait 3 to 5 minutes before attempting to restart the refrigerator if operation has been interrupted.

## STORING FRESH FOODS

Proper use of the appliance, adequately packed food, correct temperature and taking into account hygienic precautions will substantially influence the quality of the food stored.

Foods to be stored in the refrigerator should be properly packed so as to prevent mixing various moisture degrees and odors (in polyethylene bags or sheet, aluminum foil, wax paper, or stored in covered containers or bottles).

Before storing food in the refrigerator, remove excessive packaging (like yogurt in multi-package).

Pack systematically and make sure that foodstuffs do not touch each other (various odors may mix). Assure adequate air circulation around packages.

Never store flammable, volatile or explosive substances.

Beverages with high alcohol percentage should be stored in tightly sealed bottles in a vertical position.

Food should not touch the rear wall of the refrigerator.

Foods should be cooled down before storing.

Crispy and delicate foods should be stored in the coldest parts of the refrigerator.

Try not to open the door too often.

Set the thermostat to a setting where lowest temperatures are reached. Set the thermostat gradually so as to avoid freezing of foods. Use a thermometer and measure the temperature in the individual compartments. Place the thermostat in a glass vessel filled with water. Temperature readings are most reliable a few hours after steady state conditions have been reached.

Some organic solutions like volatile oils in lemon and orange peel, acid in butter etc. can cause damage when in contact with plastic surfaces or gaskets for long periods of time.

Unpleasant odors inside the refrigerator are a sign that something is wrong with the food or that your refrigerator needs cleaning. Unpleasant odors can be eliminated or reduced by washing the interior of the refrigerator with a mild solution of water and vinegar. We also recommend using activated carbon filters to clean the air or to neutralize odors.

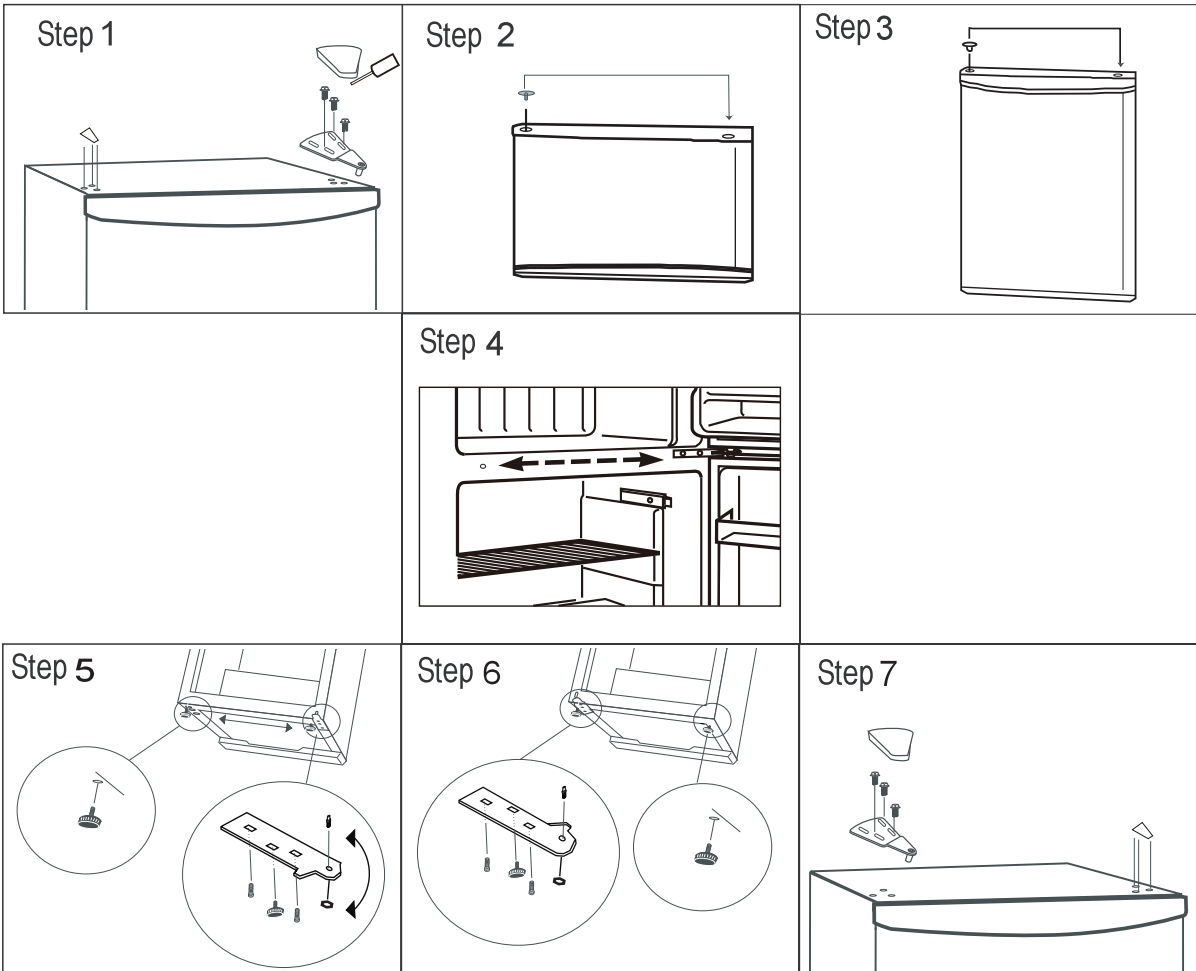
If you are planning a long journey, make sure to remove perishable articles of food from the appliance before you leave.

# DOOR REVERSAL INSTRUCTIONS

## CAUTION

To avoid personal injury to yourself and/or property, we recommend someone assist you during the door reversal process.

If you find the direction of opening the door on your appliance inconvenient, you can change it by following the steps shown in the below diagrams.





# CARE AND MAINTENANCE

## CLEANING THE APPLIANCE

- Turn the temperature control to "0", unplug the unit, and remove the food and baskets.
- Wash the inside with a warm water and baking soda solution. The solution should be about 2 tablespoons of baking soda to a quart of water.
- Wash the baskets with a mild detergent solution.
- The outside of the unit should be cleaned with mild detergent and warm water.

**CAUTION:** Failure to unplug the refrigerator-freezer could result in electrical shock or personal injury.

## POWER FAILURE

Most power failures are corrected within a few hours and should not affect the temperature of your refrigerator or freezer if you minimize the number of times the door is opened. If the power is going to be off for a longer period of time, you need to take the proper steps to protect your food.

## VACATION TIME

**Short vacations:** Leave the unit operating during vacations of less than three weeks.

**Long vacations:** If the appliance will not be used for several months, remove all food and unplug the power cord. Clean and dry the interior thoroughly. To prevent odor and mold growth, leave the door open slightly, blocking it open if necessary.

## IF YOU MOVE

Remove or securely fasten down all loose items inside the unit. To avoid damaging the leveling legs, turn them all the way into the base.

### Some Important Rules for the Correct Use of the Refrigerator

- Never place hot foods in the refrigerator.
- Never place spoiled foods in the refrigerator.
- Don't overload the refrigerator.
- Don't open the door unless necessary.
- Should the refrigerator be stored without use for long periods, it is suggested, after a careful cleaning, to leave the door ajar to allow the air to circulate inside the unit in order to avoid possible formations of condensation, mold or odors.

# TROUBLESHOOTING

Occasionally, a minor problem may arise, and a service call may not be necessary - use this troubleshooting guide for a possible solution. If the unit continues to operate improperly, call an authorized service depot or **Danby's Toll Free Number** for assistance.

Tel: 1-800-26-**Danby**<sup>®</sup> (1-800-263-2629)

PROBLEM	SOLUTION
When the refrigerator does not work.	<ul style="list-style-type: none"> <li>• Check to see if there is a power failure.</li> <li>• Check if the power plug is plugged into the power outlet.</li> <li>• Check that the fuse has not blown.</li> </ul>
When the refrigerator is cooling excessively.	<ul style="list-style-type: none"> <li>• The temperature control dial may be set too high (low temperature).</li> <li>• If you place food containing a lot of moisture directly under the cool air outlets the food will freeze easily. This does not indicate malfunction.</li> </ul>
When the refrigerator is not cooling sufficiently.	<ul style="list-style-type: none"> <li>• The food may be packed too tightly together which will block the flow of cool air.</li> <li>• You may have put something hot, or a lot of food into the refrigerator.</li> <li>• The door may not have been closed properly.</li> <li>• The door gaskets may be damaged.</li> <li>• The refrigerator may not be ventilated.</li> <li>• There may be insufficient clearance between the refrigerator and other surfaces.</li> <li>• The temperature control dial may not be set properly.</li> </ul>
When the defrosting water overflows inside the refrigerator and onto the floor.	<ul style="list-style-type: none"> <li>• Check that the drain pipe and the drain hose are not obstructed.</li> <li>• Check that the drain pan is housed properly.</li> </ul>
When condensation forms on the outside of the refrigerator.	<ul style="list-style-type: none"> <li>• Condensation may form on the outside when the humidity is high, such as during a wet season. This is the same result as the condensation formed when chilled water is poured into a glass. It does not indicate a failure. Wipe dry with a dry cloth.</li> </ul>
When you hear a sound like water flowing.	<ul style="list-style-type: none"> <li>• If you hear a sound like "water flowing" that is the sound of refrigerant flowing. It does not indicate a malfunction.</li> </ul>
When the cabinet's side panel heats up.	<ul style="list-style-type: none"> <li>• The side panel of the cabinet will heat up when the door is opened or closed frequently, when starting the unit, and when the unit operates in the summer with high ambient outside temperatures. In such cases, do not touch the panel. The longer the compressor runs, the warmer the sides will get on the unit and the longer they will stay warm.</li> </ul>

## LIMITED IN-HOME APPLIANCE WARRANTY

This quality product is warranted to be free from manufacturer's defects in material and workmanship, provided that the unit is used under the normal operating conditions intended by the manufacturer.

This warranty is available only to the person to whom the unit was originally sold by Danby Products Limited (Canada) or Danby Products Inc. (U.S.A.) (hereafter "Danby") or by an authorized distributor of Danby, and is non-transferable.

### TERMS OF WARRANTY

Plastic parts, are warranted for thirty (30) days only from purchase date, with no extensions provided.

*First 18 months* During the first eighteen (18) months, any functional parts of this product found to be defective, will be repaired or replaced, at warrantor's option, at no charge to the ORIGINAL purchaser.

*To obtain service* Danby reserves the right to limit the boundaries of "In Home Service" to the proximity of an Authorized Service Depot. Any appliance requiring service outside the limited boundaries of "In Home Service", it will be the consumer's responsibility to transport the appliance (at their own expense) to the original retailer (point of purchase) or a service depot for repair. See "Boundaries of In Home Service" below. Contact your dealer from whom your unit was purchased, or contact your nearest authorized Danby service depot, where service must be performed by a qualified service technician. If service is performed on the unit by anyone other than an authorized service depot, or the unit is used for commercial application, all obligations of Danby under this warranty shall be void.

*Boundaries of In Home Service* If the appliance is installed in a location that is 100 kilometers (62 miles) or more from the nearest service center your unit must be delivered to the nearest authorized Danby Service Depot, as service must only be performed by a technician qualified and certified for warranty service by Danby. Transportation charges to and from the service location are not protected by this warranty and are the responsibility of the purchaser.

Nothing within this warranty shall imply that Danby will be responsible or liable for any spoilage or damage to food or other contents of this appliance, whether due to any defect of the appliance, or its use, whether proper or improper.

### EXCLUSIONS

Save as herein provided, by Danby, there are no other warranties, conditions, representations or guarantees, express or implied, made or intended by Danby or its authorized distributors and all other warranties, conditions, representations or guarantees, including any warranties, conditions, representations or guarantees under any Sale of Goods Act or like legislation or statute is hereby expressly excluded. Save as herein provided, Danby shall not be responsible for any damages to persons or property, including the unit itself, howsoever caused or any consequential damages arising from the malfunction of the unit and by the purchase of the unit, the purchaser does hereby agree to indemnify and hold harmless Danby from any claim for damages to persons or property caused by the unit.

### GENERAL PROVISIONS

No warranty or insurance herein contained or set out shall apply when damage or repair is caused by any of the following:

- 1) Power failure.
- 2) Damage in transit or when moving the appliance.
- 3) Improper power supply such as low voltage, defective house wiring or inadequate fuses.
- 4) Accident, alteration, abuse or misuse of the appliance such as inadequate air circulation in the room or abnormal operating conditions (extremely high or low room temperature).
- 5) Use for commercial or industrial purposes (ie. If the appliance is not installed in a domestic residence).
- 6) Fire, water damage, theft, war, riot, hostility, acts of God such as hurricanes, floods etc.
- 7) Service calls resulting in customer education.
- 8) Improper Installation (ie. Building-in of a free standing appliance or using an appliance outdoors that is not approved for outdoor application).

Proof of purchase date will be required for warranty claims; so, please retain bills of sale. In the event warranty service is required, present this document to our AUTHORIZED SERVICE DEPOT.

**Warranty Service**  
In-home

Danby Products Limited  
PO Box 1778, Guelph, Ontario, Canada N1H 6Z9  
Telephone: (519) 837-0920 FAX: (519) 837-0449

**1-800-263-2629**  
07/13

Danby Products Inc.  
PO Box 669, Findlay, Ohio, U.S.A. 45840  
Telephone: (419) 425-8627 FAX: (419) 425-8629

# INFORMATION DE SÉCURITÉ IMPORTANTE

## PRENDRE CONNAISSANCE DE TOUTES LES INFORMATIONS RELATIVES À LA SÉCURITÉ AVANT D'UTILISER LE PRODUIT

Veuillez vous assurer que les pièces de rechange sont remplacées par des pièces similaires, et que l'entretien soit effectué par un technicien agréé par l'usine, afin de réduire le risque d'incendie à cause de mauvaises pièces ou d'entretien mal fait.

### MISE À LA TERRE

Cet appareil doit être mis à la terre. En cas de court-circuit, la mise à la terre réduit les risques de décharge électrique en fournissant un échappatoire au courant électrique.

L'appareil est muni d'un cordon électrique comprenant un fil de mise à la terre et une fiche de terre. Branchez la fiche dans une prise de courant correctement installée et mise à la terre.

**N'UTILISER JAMAIS DE FIL DE RALLONGE** - Branchez le réfrigérateur à son propre circuit de 115V. N'utilisez pas de rallonge électrique pour brancher votre réfrigérateur. Ne branchez pas le réfrigérateur à une prise femelle multiple qui sera également utilisée pour d'autres appareils électriques. N'épissez pas le cordon électrique.

### AVANT LA PREMIÈRE UTILISATION

Avant de brancher l'appareil à l'alimentation électrique, laissez-le reposer pendant environ 24 heures, ce qui réduira la possibilité que le système de refroidissement présente des dysfonctionnements en raison de la manutention au cours du transport.

Nettoyez bien l'appareil, surtout à l'intérieur (voir la section relative à l'entretien).

### MODE D'EMPLOI

Ce mode d'emploi est destiné à l'utilisateur. Il décrit l'appareil et les procédures permettant de l'utiliser de manière sécuritaire.

### AVERTISSEMENT:

Une fiche de mise à la terre mal branchée peut entraîner un risque d'incendie, de choc électrique ou de blessures aux personnes qui utilisent l'appareil. Consultez un électricien ou un technicien qualifié si vous ne comprenez pas bien les instructions de mise à la terre ou si vous avez un doute quelconque sur la bonne mise à la terre de l'appareil.

### AVERTISSEMENT IMPORTANT!

Un réfrigérateur vide peut représenter un attrait dangereux aux enfants. Retirer le joint d'étanchéité, les loquets, les couvercles ou portes des appareils ménagers inutilisés, ou prenez d'autres mesures qui assureront que l'appareil ne posera aucun danger.

**DANGER:** Risque de piéger un enfant. Avant de mettre votre vieux congélateur ou réfrigérateur au rebut:

€ Enlever les portes.

€ Laisser les tablettes en place afin que les enfants ne puissent pas facilement y entrer.

**N'ATTENDEZ PAS! FAITES-LE IMMÉDIATEMENT!**

### AVERTISSEMENT! DANGER D'EXPLOSION!

Risque d'incendie ou d'explosion causé par la perforation de tuyaux frigorigènes. Ne jamais utiliser un objet pointu pour assister au dégel. Manipuler avec soin. Garder les matériaux et vapeurs inflammables comme de l'essence loin du réfrigérateur. Utiliser un nettoyant ininflammable.

La mise au rebut de cet item doit être faite selon les lois locales et fédérales.

**CONSERVEZ CES INSTRUCTIONS!**

# INFORMATION DE SÉCURITÉ IMPORTANTE

## PRENDRE CONNAISSANCE DE TOUTES LES INFORMATIONS RELATIVES À LA SÉCURITÉ AVANT D'UTILISER LE PRODUIT

### MESURES DE SÉCURITÉ

Si vous avez acheté cet appareil afin de remplacer un ancien appareil muni d'une serrure de porte qui ne peut être ouverte de l'intérieur, assurez-vous que la serrure est retirée, désactivée ou détruite avant de jeter l'appareil. Ceci afin d'empêcher les enfants de s'enfermer accidentellement à l'intérieur de l'appareil sans possibilité d'en sortir et d'être asphyxiés.

L'appareil doit être correctement branché à l'alimentation électrique. (Voir la section relative au branchement à l'alimentation électrique).

Si les aliments ont une odeur ou une couleur étrange, jetez-les car il est très probable qu'ils soient impropres à la consommation et il est par conséquent risqué de les manger.

Débranchez toujours l'appareil de l'alimentation électrique avant de le nettoyer, de remplacer l'ampoule ou de tenter de le réparer.

**MISE EN GARDE:** les réparations doivent être uniquement effectuées par le personnel d'entretien agréé.

Ne faites pas dégivrer l'appareil à l'aide d'un autre appareil électrique (par exemple, un séchoir à cheveux) et n'essayez jamais de gratter ou d'éliminer la glace ou le givre à l'aide d'objets pointus. N'utilisez que les outils fournis ou recommandés par le fabricant.

La plaque signalétique sur laquelle figure le numéro de modèle ou de série et d'autres données techniques propres à cet appareil se trouve soit à l'intérieur de celui-ci ou à l'extérieur sur la paroi arrière.

### ÉLIMINATION DES APPAREILS USÉS

Le système frigorifique de l'appareil contient un fluide frigorigène et des substances isolantes qui doivent être transformés et traités séparément. Appelez votre réparateur autorisé ou centre de réparations spécialisé le plus proche. Si vous êtes dans l'impossibilité d'en trouver un, contactez les autorités ou le distributeur de votre localité. Prenez soin de ne pas endommager les tubes situés sur la paroi arrière de l'appareil.

### CONSEILS RELATIFS AUX ÉCONOMIES D'ÉNERGIE

Essayez de ne pas ouvrir la porte trop fréquemment, surtout lorsque les conditions météorologiques sont chaudes et humides. Une fois la porte ouverte, fermez-la dès que possible.

Vérifiez de temps en temps si l'appareil est suffisamment ventilé (si l'air circule bien derrière l'appareil).

Réglez le thermostat dès que possible pour que les paramètres passent d'une valeur élevée à moins élevée (en fonction du volume de l'appareil occupé par les aliments, de la température de la pièce, etc.)

Avant de mettre au réfrigérateur des emballages contenant des aliments frais, assurez-vous qu'ils sont refroidis à la température de la pièce.

La présence de couches de glace et de givre augmente la consommation d'énergie; nettoyez l'appareil dès que l'épaisseur de la couche de givre atteint 3 à 5 mm.

Lorsque le joint d'étanchéité est endommagé ou que la porte ne ferme pas hermétiquement, la consommation d'énergie est considérablement plus élevée. Afin de rétablir l'efficacité, remplacez le joint d'étanchéité.

Il convient de toujours prendre en compte les directives figurant dans les sections relatives au « choix de l'emplacement approprié » et « aux conseils en matière d'économie d'énergie », sans quoi la consommation d'énergie sera considérablement plus élevée.

## CONSERVEZ CES INSTRUCTIONS!

# CONSIGNES D'INSTALLATION

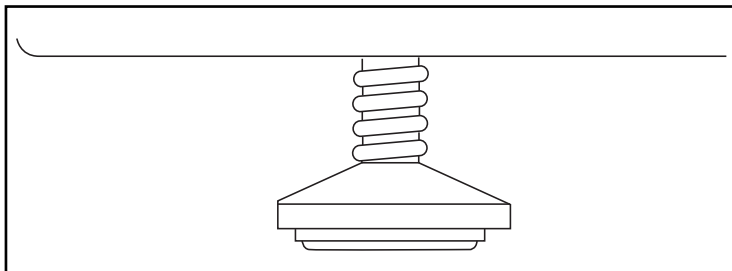
Enlevez les emballages extérieurs et intérieurs. Essuyez complètement l'extérieur avec un linge doux sec et l'intérieur avec un linge humide tiède. Il ne faut jamais situer l'appareil dans un recoin étroit, proche d'une source d'air chaud. L'air doit circuler à l'entour de l'appareil. Éloigner l'appareil au moins 5 pouces du mur.

## CHOIX DE L'EMPLACEMENT APPROPRIÉ

- 1 Choisir une place qui a un plancher fort et à niveau.
- 2 Éloigner l'appareil de 5 pouces des murs arrière et de côté.
- 3 Éviter les rayons de soleil et la chaleur directs qui peuvent affecter la surface en acrylique. Les sources de chaleur rapprochées augmentent la consommation d'énergie.
- 4 Éviter les endroits très humides. L'humidité élevée dans l'air occasionne la formation rapide de gèle sur l'évaporateur et le réfrigérateur. Le réfrigérateur devra être dégivré fréquemment.

## INSTALLATION

Placez l'appareil de manière à ce qu'il repose de manière ferme sur une base solide. Certains appareils possèdent des pieds réglables à l'avant; utilisez-les pour mettre les appareils à niveau.



### REMARQUES :

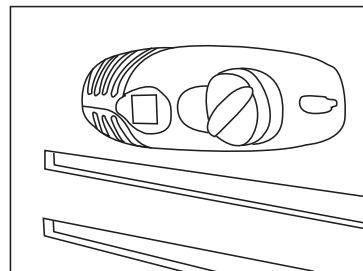
- Cet appareil est pour L'INSTALLATION AUTONOME SEULEMENT, et n'est pas pour l'installation intégrée.
- Laisser reposer le réfrigérateur pendant 24 heures avant de le brancher à l'alimentation électrique. Ceci réduit la possibilité de problèmes du système de refroidissement causés par la manutention durant le transport.
- Cet appareil est approuvé pour L'USAGE D'INTÉRIEUR SEULEMENT et n'est pas approuvé pour l'usage extérieur.

## BRANCHEMENT À L'ALIMENTATION ÉLECTRIQUE

Branchez le cordon d'alimentation de l'appareil à une prise murale mise à la terre de manière appropriée. La tension et la fréquence nominales requises sont indiquées sur la plaque signalétique (à l'intérieur de l'appareil ou sur sa paroi arrière extérieure).

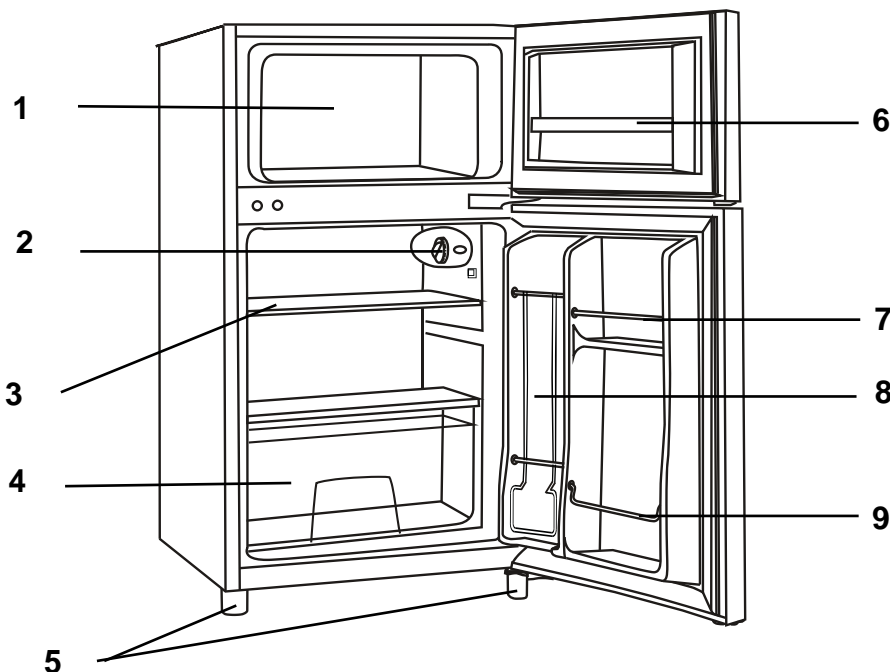
## CHANGEMENT DE L'AMPOULE

- Débranchez le cordon d'alimentation du mur.
- Avant de la retirer, assurez-vous que l'ampoule a refroidi.
- Retirez la vis qui maintient le couvercle de l'ampoule.
- Pressez simultanément les onglets en haut et en bas de la couverture de l'ampoule
- Retirez le couvercle de l'ampoule.
- Dévissez l'ampoule.
- Remplacez-la par une ampoule de 10 watts qui est de la même forme et de la même taille.
- Remplacez le couvercle sur l'ampoule.



# CARACTÉRISTIQUES

- 1 Compartiment de congélation
- 2 Contrôle de la température (avec montage intégré d'une lumière intérieure)
- 3 Tablette du fil
- 4 Compartiment à fruits et légumes avec couvercle en verre
- 5 Pieds de nivellement
- 6 Casier de rangement dans la porte du congélateur
- 7 Casier de rangement dans la porte du réfrigérateur
- 8 Distributeur de canettes
- 9 Casier pour bouteilles de 2 litres



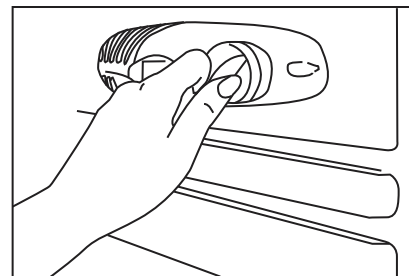
## CONSIGNES D'UTILISATION

### SÉLECTION DE LA TEMPÉRATURE

- La première fois que vous allumez l'appareil, réglez le contrôle de la température à « 7 », la température la plus froide.
- Le contrôle de température va de la position « 0 » c.-à-d. PAS DE REFROIDISSEMENT à la position « 7 », la température la plus froide. Après 24 à 48 heures, ajustez le thermostat à la température qui correspond le mieux à vos besoins. La position « 4 » est celle qui convient pour l'utilisation du réfrigérateur à la maison ou au bureau.

#### REMARQUE :

- Lorsque l'appareil est débranché, que le courant est coupé ou qu'il est arrêté, il faut attendre de 3 à 5 minutes avant de le remettre en marche. En cas de tentative de remise en marche avant que ce laps de temps se soit écoulé, le réfrigérateur ne se remettra pas en marche.
- Tourner le thermostat sur la position « 0 » arrête le cycle de refroidissement, mais ne coupe pas l'alimentation électrique de l'unité.



### LAMPE INTÉRIEURE

Lorsque vous ouvrez la porte, la lumière s'allume automatiquement. Lorsque vous fermez la porte, la lumière s'éteint automatiquement.

## DÉGIVRER VOTRE APPAREIL

Il est nécessaire de dégivrer le congélateur chaque fois que l'accumulation de glace arrive à une épaisseur de 1/4 po (6mm). Cela pourrait prendre quelques heures pour dégivrer le congélateur, dépendant de la quantité de glace accumulée et la température ambiante de la pièce. Pour accélérer le processus de décongelation, enlevez tous les produits surgelés du congélateur. Laisser la porte entrouverte pendant un peu de temps pourrait accélérer le processus.

**Avis important :** N'utiliser jamais des ustensiles tranchants ou aiguisés pour dégivrer/ enlever la glace du compartiment de congélation/ évaporation. Le compartiment de congélation/ évaporation contient des tuyaux de gaz réfrigérés et s'ils sont crévés ou percés, le réfrigérateur sera inopérable et la garantie de fabricant sera rendu nul.

### SI LE COMPARTIMENT DE CONGELATION EST PERCÉ, ÉTEINDRE LE RÉFRIGÉRATEUR.

Après que le dégivrage est fini, tourner la commande de température au refroidissement maximum pendant 2 à 3 heures avant de la tourner au refroidissement désiré. Si on n'utilise pas le réfrigérateur pendant longtemps, débrancher l'appareil et laisser la porte partiellement ouverte pour réduire l'accumulation de moisissure.

**Remarque :** Si le fonctionnement a été interrompu, attendre 3 à 5 minutes avant mettre le réfrigérateur en marche.

## ENTREPOSAGE D'ALIMENTS FRAIS

L'utilisation appropriée de l'appareil, l'emballage approprié des aliments, la température appropriée et la prise de mesures d'hygiène influent considérablement sur la qualité des aliments entreposés.

Les aliments rangés au réfrigérateur doivent être convenablement emballés afin d'empêcher l'échange d'odeurs et d'humidité à divers degrés (sacs ou feuille de polyéthylène, feuille d'aluminium, papier ciré ou placés dans des contenants recouverts ou des bouteilles).

Avant de mettre des aliments au réfrigérateur, éliminez le surplus d'emballages (comme le yogourt en emballages multiples).

Emballez systématiquement tout et assurez-vous que les aliments n'entrent pas en contact les uns avec les autres (différentes odeurs pourraient être échangées). Assurez-vous que l'air circule bien autour des emballages.

Ne rangez jamais de substances inflammables, volatiles ou explosives dans le réfrigérateur.

Les boissons à teneur élevée en alcool doivent être entreposées dans des bouteilles hermétiquement fermées et placées en position verticale.

Les aliments croustillants et délicats doivent être placés dans les sections les plus froides du réfrigérateur.

Essayez de ne pas ouvrir trop souvent la porte.

Régalez le thermostat sur la position correspondant à la température la plus basse. Régalez le thermostat de manière progressive afin d'éviter de congeler les aliments. Utilisez un thermomètre pour mesurer la température des compartiments individuels. Placez le thermostat dans un récipient en verre contenant de l'eau. Les températures relevées seront plus fidèles à la réalité quelques heures après l'atteinte d'un état stable.

Certaines solutions organiques telles que les huiles essentielles provenant des zestes d'orange ou de citron, l'acide contenu dans le beurre, etc. peuvent causer des dommages lorsqu'elles entrent en contact avec des surfaces ou des joints en plastique pendant des périodes prolongées.

La présence d'odeurs désagréables à l'intérieur du réfrigérateur est le signe que les aliments sont mal conservés ou qu'il est nécessaire de nettoyer votre réfrigérateur. Les odeurs désagréables peuvent être éliminées ou réduites en nettoyant l'intérieur du réfrigérateur à l'aide d'une solution faible d'eau et de vinaigre. Nous recommandons également d'utiliser des filtres au charbon actif pour purifier l'air ou neutraliser les odeurs.

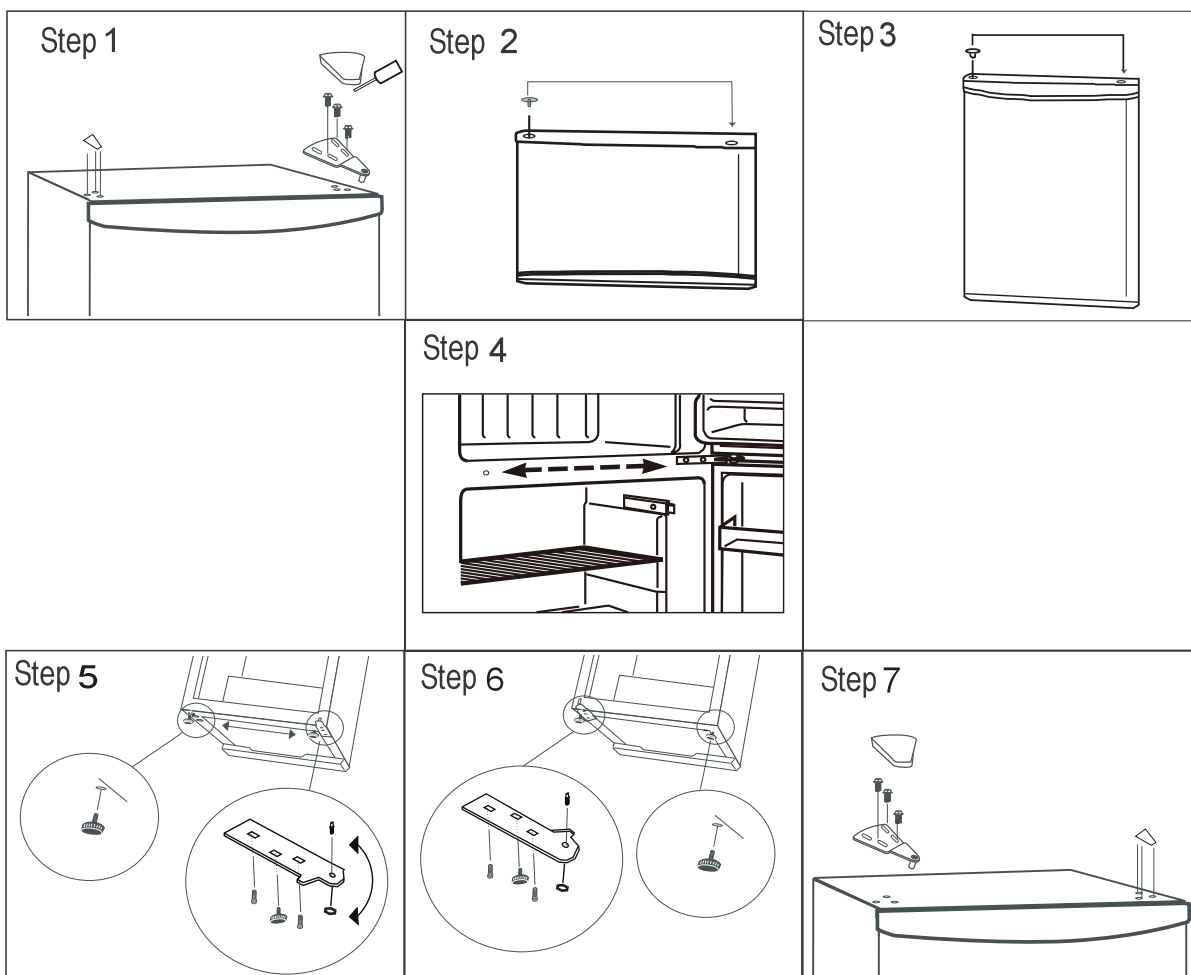


# CHANGEMENT DU SENS D'OUVERTURE DE LA PORTE

## ATTENTION:

Afin d'éviter de vous blesser ou de causer des dégâts matériels, nous vous recommandons de solliciter l'aide d'autrui lors des manœuvres liées à l'inversion de la porte.

Si vous trouvez que la direction de l'ouverture de la porte de votre réfrigérateur est peu pratique, elle peut être changée. Suivez les étapes décrites dans les schémas ci-dessous.



## NETTOYAGE DE L'APPAREIL

- Tournez le thermostat à « 0 », débranchez l'appareil et retirez les accessoires intérieurs.
- Lavez l'intérieur au bicarbonate de soude dilué dans de l'eau chaude. La solution doit contenir 2 cuillerées à soupe de bicarbonate de soude pour un litre d'eau.
- Lavez les accessoires intérieurs avec une solution de détergent non abrasif.
- L'extérieur de l'appareil doit être nettoyé à l'aide d'un détergent doux dilué dans de l'eau chaude.

**MISE EN GARDE:** Ne pas débrancher le réfrigérateur-congélateur pourrait vous exposer à un risque de choc électrique ou de blessure corporelle.

## PANNE D'ÉLECTRICITÉ

La plupart des pannes de courant ne durent que quelques heures et ne devraient pas modifier la température de votre réfrigérateur-congélateur si vous réduisez au minimum le nombre de fois où la porte est ouverte. Si le courant reste coupé pendant une longue période, il faut prendre des mesures pour protéger les aliments dans l'appareil.

## PÉRIODE DE VACANCES

**Des vacances de courte durée :** Laissez l'appareil fonctionner normalement pendant des vacances de moins de trois semaines.

**Des vacances de longue durée :** Si l'appareil ne sera pas utilisé pendant plusieurs mois, videz-le de tous ses aliments et débranchez la fiche d'alimentation. Nettoyez et asséchez minutieusement l'intérieur. Pour éviter les odeurs et le développement de moisissures, laissez la porte entrouverte : la coincer au besoin.

## DÉMENAGEMENT

Enlever ou immobiliser toutes les pièces amovibles (c'-à-d les clayettes) à l'intérieur du réfrigérateur. Serrer les vis à nivellement à la base afin de ne pas les endommager.

### IMPORTANTES CONSIGNES DE SÉCURITÉ POUR L'UTILISATION DU RÉFRIGÉRATEUR

- Ne jamais ranger d'aliments chauds dans le réfrigérateur.
- Ne jamais surcharger l'appareil.
- Ouvrir la porte seulement si nécessaire.
- Pour un rangement prolongé de l'appareil, il est suggéré de laver l'appareil, de laisser la porte ouverte afin de fournir une circulation d'air à l'intérieur du meuble et d'éviter le développement de condensation, de moisissures et d'odeurs.

# DÉPANNAGE

De temps en temps, un problème est mineur et un appel de service peut ne pas être nécessaire. Utilisez ce guide de dépannage pour trouver une solution possible. Si l'unité continue de fonctionner incorrectement, appelez un dépôt de service autorisé ou le **numéro sans frais de Danby** pour obtenir de l'assistance.

Tel: 1-800-26-**Danby**® (1-800-263-2629).

PROBLÈME	SOLUTION
Lorsque le réfrigérateur ne fonctionne pas.	<ul style="list-style-type: none"><li>• Vérifiez pour voir s'il y a une panne de courant.</li><li>• Vérifiez si la fiche d'alimentation est branchée dans la prise électrique.</li><li>• Vérifiez si le fusible a sauté.</li></ul>
Lorsque le réfrigérateur est trop froid.	<ul style="list-style-type: none"><li>• Le thermostat est peut-être réglé à une température trop basse.</li><li>• Si vous placez de la nourriture contenant beaucoup d'humidité directement sous les prises d'air frais, elle gèlera facilement. Ceci n'est pas l'indication d'un mauvais fonctionnement.</li></ul>
Lorsque le réfrigérateur n'est pas assez froid.	<ul style="list-style-type: none"><li>• Si la nourriture n'est pas espacée convenablement, l'air frais ne pourra pas circuler.</li><li>• Vous pouvez avoir placé soit trop de nourriture à la fois, soit quelque chose de chaud dans le réfrigérateur.</li><li>• Il se peut que la porte n'ait pas été fermée totalement.</li><li>• Les joints de la porte sont peut-être endommagés.</li><li>• Le réfrigérateur n'est pas ventilé suffisamment.</li><li>• Il n'y a pas assez d'espace entre le réfrigérateur et les autres surfaces.</li><li>• Le thermostat peut ne pas être réglé correctement.</li></ul>
Lorsque l'eau de dégivrage déborde à l'intérieur du réfrigérateur et sur le plancher.	<ul style="list-style-type: none"><li>• Vérifiez que le conduit d'évacuation et le tuyau de vidange ne sont pas obstrués.</li><li>• Vérifiez que le plateau de dégivrage est situé correctement.</li></ul>
Lorsque de la condensation se forme sur l'extérieur du réfrigérateur.	<ul style="list-style-type: none"><li>• Il se peut que de la condensation se forme sur l'extérieur lorsque l'humidité de l'air est élevée (au cours d'une saison humide). C'est le même type de condensation que lorsque de l'eau glacée est versée dans un verre. Ceci n'est pas l'indication d'un mauvais fonctionnement. Essayez à l'aide d'un chiffon sec.</li></ul>
Lorsque vous entendez comme si de l'eau coulait.	<ul style="list-style-type: none"><li>• Si vous entendez un bruit comme si de l'eau était en train de couler, c'est en fait le bruit du réfrigérant qui circule. Ceci n'est pas l'indication d'un mauvais fonctionnement.</li></ul>
Lorsque le panneau latéral de l'armoire se réchauffe.	<ul style="list-style-type: none"><li>• Le panneau latéral de l'armoire se réchauffe lorsque la porte est ouverte ou fermée fréquemment, lors du démarrage de l'appareil et lorsque l'appareil fonctionne en été avec une température extérieure élevée. Dans de tels cas, ne pas toucher le panneau. Plus le compresseur travaille, plus les côtés de l'unité seront chauds et plus ils le resteront.</li></ul>

## GARANTIE LIMITÉE SUR APPAREIL ÉLECTROMÉNAGER À DOMICILE

Cet appareil de qualité est garanti exempt de tout vice de matière première et de fabrication, s'il est utilisé dans les conditions normales recommandées par le fabricant.

Cette garantie n'est offerte qu'à l'acheteur initial de l'appareil vendu par Danby Products Limited (Canada) ou Danby Products Inc. (E.- U.A.) (ci-après « Danby ») ou par l'un des ses distributeurs agréés et elle ne peut être transférée.

### CONDITIONS

Les pièces en plastique sont garanties pendant trente (30) jours seulement à partir de la date de l'achat, sans aucune prolongation prévue.

*Premiers 18 mois* Pendant les premiers dix-huit (18) mois, toutes les pièces fonctionnelles de ce produit qui s'avèrent défectueuses seront réparées ou remplacées, selon le choix du garant, sans frais à l'acheteur INITIAL.

*Pour bénéficiaire du service* Le client sera responsable pour le transport et tous les frais d'expédition de tout appareil exigeant le service au dépôt de service autorisé le plus proche. S'adresser au détaillant qui a vendu l'appareil, ou à la station technique agréée de service la plus proche, où les réparations doivent être effectuées par un technicien qualifié. Si les réparations sont effectuées par quiconque autre que la station de service agréée ou à des fins commerciales, toutes les obligations de Danby en vertu de cette garantie seront annulées.

*Limites de l'entretien à domicile* Si l'appareil est installé à plus de 100 kilomètres (62 milles) du centre de service le plus proche, il doit être livré à l'atelier de réparation autorisé par Danby le plus proche, car l'entretien doit uniquement être réalisé par un technicien qualifié et certifié pour effectuer un entretien couvert par la garantie de Danby. Les frais de transport entre votre domicile et le lieu de l'entretien ne sont pas couverts par la présente garantie et doivent être acquittés par l'acheteur.

Aucune partie de la garantie ne prévoit implicitement que le fabricant sera tenu responsable des dommages subis par les aliments ou d'autres types de contenu, qu'ils soient causés par la défectuosité de l'appareil ou par son usage adéquat ou inadéquat.

### EXCLUSIONS

En vertu de la présente, il n'existe aucune autre garantie, condition ou représentation, qu'elle soit exprimée ou tacite, de façon manifeste ou intentionnelle, par Danby ou ses distributeurs agréés. De même, sont exclues toutes les autres garanties, conditions ou représentations, y compris les garanties, conditions ou représentations en vertu de toute loi régissant la vente de produits ou de toute autre législation ou règlement semblables. En vertu de la présente, Danby ne peut être tenue responsable en cas de blessures corporelles ou des dégâts matériels, y compris à l'appareil, quelle qu'en soit les causes. Danby ne peut pas être tenue responsable des dommages indirects dus au fonctionnement défectueux de l'appareil. En achetant l'appareil, l'acheteur accepte de mettre à couvert et de dégager Danby de toute responsabilité en cas de réclamation pour toute blessure corporelle ou tout dégât matériel causé par cet appareil.

### CONDITIONS GÉNÉRALES

La garantie ou assurance ci-dessus ne s'applique pas si les dégâts ou réparations sont dus aux cas suivants :

- 1) Panne de courant.
- 2) Dommages subis pendant le transport ou le déplacement de l'appareil.
- 3) Alimentation électrique incorrecte (tension faible, câblage défectueux, fusibles incorrects).
- 4) Accident, modification, emploi abusif ou incorrect de l'appareil tel qu'une circulation d'air inadéquate dans la pièce ou des conditions de fonctionnement anormales (température extrêmement élevée ou basse).
- 5) Utilisation dans un but commercial ou industriel (à savoir, si l'appareil n'est pas installé dans un domicile résidentiel).
- 6) Incendie, dommages causés par l'eau, vol, guerre, émeute, hostilités, cas de force majeure (ouragan, inondation, etc.).
- 7) Visites d'un technicien pour expliquer le fonctionnement de l'appareil au propriétaire.
- 8) Installation inappropriée (par exemple, encastrement d'un appareil autoportant, ou utilisation extérieure d'un appareil non conçu à cet effet). Une preuve d'achat doit être présentée pour toute demande de réparation sous garantie. Prière de garder le reçu. Pour faire honorer la garantie, présenter ce document à la station technique agréée ou s'adresser à :

**Service sous garantie**  
Service au domicile

Danby Products Limited  
PO Box 1778, Guelph, Ontario, Canada N1H 6Z9  
Téléphone : (519) 837-0920 Télécopieur : (519) 837-0449

**1-800-263-2629**  
03/14

Danby Products Inc.  
PO Box 669, Findlay, Ohio, U.S.A. 45840  
Téléphone : (419) 425-8627 Télécopieur : (419) 425-8629

# INSTRUCCIONES DE SEGURIDAD IMPORTANTES

LEA TODA LA INFORMACIÓN SOBRE SEGURIDAD ANTES DE UTILIZAR EL EQUIPO

Asegúrese de que las piezas del componente se reemplacen con componentes similares y que la reparación sea realizada por personal de servicio autorizado por la fábrica, para minimizar el riesgo de incendio debido a piezas incorrectas o reparación inadecuada.

## LA CONEXIÓN A TIERRA

Este artefacto debe ser conectado a tierra. En caso de un corto circuito eléctrico, la conexión a tierra reduce el riesgo de una descarga eléctrica proporcionando un cable de retorno para la corriente eléctrica.

Este artefacto viene con un cable de alimentación que tiene un conductor y pata del enchufe de tierra. Este cable debe enchufarse en un tomacorriente debidamente instalado y con conexión a tierra.

**NO USE CABLES DE EXTENSIÓN:** Use una toma de corriente exclusiva de 115V. No conecte su refrigerador a cables de extensión o junto a otro aparato en la misma toma de corriente. No empalme el cable.

## ANTES DE UTILIZAR EL EQUIPO POR PRIMERA VEZ

Antes de conectar el aparato a la fuente de energía eléctrica, déjelo desconectado en posición vertical aproximadamente 24 horas; esto reducirá la posibilidad de desperfectos en el sistema de enfriamiento debido a la manipulación durante el transporte.

Limpie el aparato por completo, especialmente en el interior (Ver sección de "Cuidado y mantenimiento").

### INSTRUCCIONES DE USO

Estas instrucciones de uso están destinadas al usuario. En ellas se describen las características del aparato y los procedimientos correctos para hacerlo funcionar de manera segura.

### **ADVERTENCIA:**

El uso inadecuado del enchufe de conexión a tierra puede resultar en un riesgo de choque eléctrico. Consulte con un electricista o persona de reparaciones competente si no comprende bien las instrucciones de conexión a tierra o si existe alguna duda sobre si el aparato está conectado a tierra correctamente.

### **¡ADVERTENCIA IMPORTANTE!**

Los refrigeradores vacíos son una atracción muy peligrosa para los niños. Retire la junta, los pestillos, las tapas o las puertas de los aparatos no utilizados, o tome alguna otra medida que garantice que el aparato es inofensivo.

**PELIGRO:** riesgo de atrapar a los niños. Antes de desechar su refrigerador o congelador viejo :

€ retire las puertas

€ deje los estantes o anaqueles en su lugar de manera que los niños no puedan treparse con facilidad.

**¡NO ESPERE, HAGALO AHORA MISMO!**

### **¡ADVERTENCIA! ¡PELIGRO DE EXPLOSIÓN!**

Hay riesgo de incendio o explosión si el tubo de refrigerante es perforado. No use objetos cortantes para ayudar en descongelamiento. Tratar con cuidado. Mantenga lejos del refrigerador los vapores y materiales inflamables, como la gasolina. Use un limpiador no inflamable.

Siga las normas federales y locales para desechar la unidad.

**¡GUARDE ESTAS INSTRUCCIONES!**

# INSTRUCCIONES DE SEGURIDAD IMPORTANTES

LEA TODA LA INFORMACIÓN SOBRE SEGURIDAD ANTES DE UTILIZAR EL EQUIPO

## PRECAUCIONES DE SEGURIDAD

Si compró este aparato para sustituir uno más antiguo que tenía un mecanismo de bloqueo de puerta que no pueda abrirse desde el interior, asegúrese de retirar dicho mecanismo, deshabilitarlo o destruirlo antes de desechar el producto. Esto impedirá que los niños se encierren accidentalmente en el equipo y se asfixien.

El aparato debe estar correctamente conectado a una fuente de energía eléctrica. (Ver la sección "Conexión a fuente de energía eléctrica.")

Si el alimento tiene olor o color extraño, descártelo, ya que es muy probable que se haya echado a perder y, por consiguiente, sea peligroso para el consumo.

Siempre desconecte el aparato de la fuente de energía antes de limpiarlo, de sustituir las bombillas eléctricas o de repararlo.

**ADVERTENCIA:** Las reparaciones sólo debe realizarlas personal de servicio técnico calificado.

No descongele el aparato empleando otro artefacto eléctrico (por ejemplo, un secador de cabello) y nunca intente raspar o retirar el hielo o la escarcha con objetos filosos. Utilice únicamente las herramientas incluidas o las herramientas recomendadas por el fabricante.

La placa de datos de servicio que contiene el número de serie y el número de modelo y otra información técnica específica de esta unidad se viene ubicada dentro del aparato, o en su exterior, en el panel trasero.

## CONSEJOS PARA AHORRAR ENERGÍA

Trate de no abrir la puerta con mucha frecuencia, especialmente en días cálidos y húmedos. Una vez que haya abierto la puerta, ciérrela lo más rápido posible.

Cada cierto tiempo, verifique que el aparato tenga la ventilación suficiente (una circulación de aire adecuada detrás del aparato).

Ajuste el termostato de la graduación más alta a la más baja en cuanto sea posible (dependiendo de cuánta carga tenga el aparato, la temperatura ambiente, etc.).

Antes de cargar el aparato con paquetes de alimentos frescos, asegúrese de que éstos estén a temperatura ambiente.

El hielo y las capas de escarcha aumentan el consumo de energía; por consiguiente, limpie el aparato en cuanto la capa de escarcha tenga un espesor de entre 3 mm y 5 mm.

Si la junta está dañada o la puerta no cierra herméticamente, el consumo de energía aumentará significativamente. Para restablecer la eficiencia energética, cambie la junta.

Siempre tenga en cuenta las instrucciones señaladas en las secciones "Elección de la mejor ubicación" y "Consejos para ahorrar energía"; de lo contrario, el consumo de energía aumentará considerablemente.

## CÓMO DESECHAR LOS APARATOS USADOS

El sistema de refrigeración del aparato contiene líquido refrigerante y sustancias aislantes que deben tratarse y procesarse por separado. Llame al representante de servicio técnico o al centro de servicio especializado autorizado más cercano. Si no puede encontrar uno, comuníquese con las autoridades locales o con el distribuidor. Tenga cuidado de no dañar los tubos ubicados en la pared trasera del aparato.

**¡GUARDE ESTAS INSTRUCCIONES!**

# INSTRUCCIONES DE INSTALACIÓN

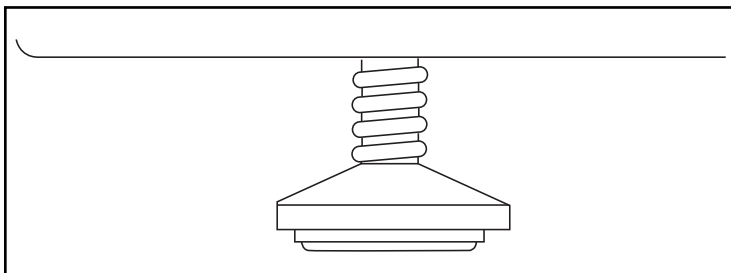
Saque los embalajes exteriores e interiores, limpie el exterior bien con un paño suave seco y el interior con un paño húmedo y tibio. Evite colocar la caja en un hueco estrecho o cerca de una fuente de calor, luz de sol directa, o lugar húmedo. Deje que el aire circule libremente alrededor de la caja. Mantenga la parte posterior del refrigerador a 5 pulgadas de la pared.

## ELECCIÓN DE LA MEJOR UBICACIÓN

- 1 Seleccione un lugar con un piso firme y nivelado.
- 2 Deje un espacio de 5 pulgadas entre el refrigerador y cualquier pared adyacente.
- 3 Evite luz directa del sol o calor. La luz directa del sol puede afectar la capa de acrílico. Las fuentes de calor en su proximidad causarán un consumo mayor de electricidad.
- 4 Evite lugares muy húmedos. Demasiada humedad en el aire hará que se acumule escarcha rápidamente en el evaporador y deberá descongelar su refrigerador con mucha frecuencia.

## INSTALACIÓN

Coloque el aparato firmemente sobre una base sólida. Algunos aparatos tienen patas ajustables en la parte frontal; úselas para nivelarlos.



### NOTAS:

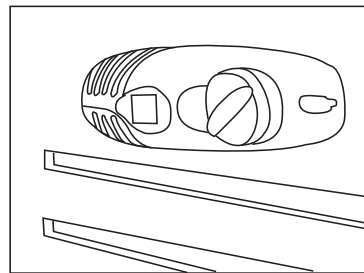
- Este aparato es pensado para la **INSTALACIÓN AUTÓNOMO**, y no es pensado para la instalación integrada.
- Antes de conectar el artefacto eléctrico a la fuente de energía eléctrica, déjelo reposar durante de 24 horas. Esto reducirá la posibilidad de malos funcionamientos en el sistema de enfriado debido a la manipulación para su transporte.
- Su refrigerador es aprobada para **EL USO DE INTERIOR SOLAMENTE** y no es aprobada para el uso al aire libre.

## CONEXIÓN A UNA FUENTE DE ENERGÍA ELÉCTRICA

Enchufe el cordón eléctrico del aparato en un tomacorriente con conexión a tierra. El voltaje nominal y la frecuencia se indican en la placa de datos de servicio (dentro de la unidad o en el panel trasero externo de la unidad).

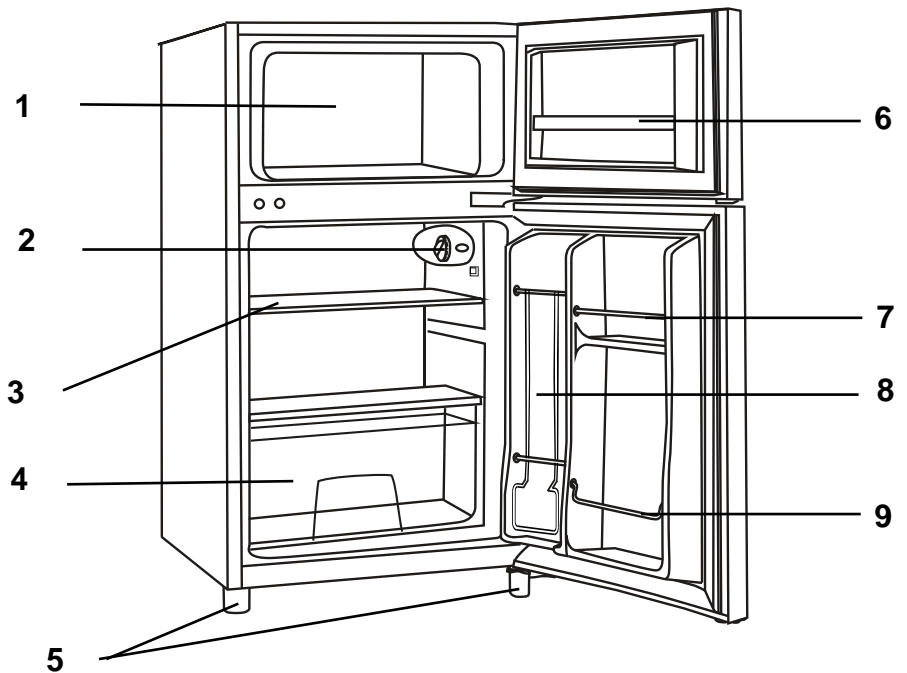
## CAMBIO DE LA BOMBILLA

- Desenchufe el cable de alimentación de CA de la pared.
- Asegúrese de que la bombilla de luz esté fría antes de sacarla.
- Remueva el tornillo que sujeta la cubierta del foco.
- Apriete las lengüetas en la parte superior e inferior de la cubierta de la bombilla de luz en forma simultánea
- Saque la cubierta de la bombilla de luz.
- Desenrosque la bombilla.
- Cámbiela por una bombilla de 10 vatios, que sea de la misma forma y tamaño.
- Vuelva a colocar la cubierta de la bombilla de luz.



# CARACTERÍSTICAS

- 1 Compartimento del congelador
- 2 Control de temperatura (con unidad de luz interior integrada)
- 3 Estante de alambre
- 4 Cajón para frutas y verduras con cubierta de vidrio
- 5 Patas niveladoras
- 6 Contenedor de la puerta del congelador
- 7 Contenedor de la puerta del refrigerador
- 8 Dispensador de latas de bebidas CANSTOR™
- 9 Contenedor para botellas de 2 litros



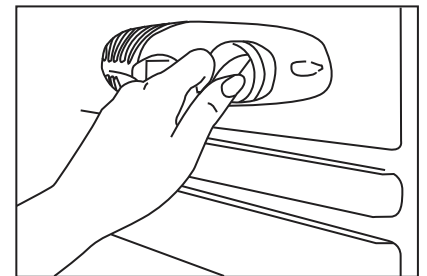
## INSTRUCCIONES OPERADORAS

### SELECCIÓN DE TEMPERATURA

- Cuando encienda la unidad por primera vez, fije el control de temperatura en la posición "7", la configuración más fría.
- El rango de controles de temperatura va desde la posición "0" o SIN REFRIGERACIÓN hasta "7", la temperatura más fría. Después de 24 a 48 horas, ajuste el control de temperatura según la configuración más acorde a sus necesidades. La configuración "4" debería ser satisfactoria para un refrigerador doméstico o de oficina.

#### NOTA:

- Si la unidad se desenchufa, perdió potencia o se apagó, debe esperar entre 3 y 5 minutos para volver a encenderla. Si intenta hacerlo antes del tiempo señalado, el refrigerador no se encenderá.
- Al girar el control de temperatura del refrigerador a la posición "0", se interrumpirá el ciclo de refrigeración, pero no se apagará la unidad.



### LUZ INTERIOR

Cuando abre la puerta, la luz encenderá automáticamente. Cuando la cierre, la luz apagará automáticamente.



# INSTRUCCIONES OPERADORAS

## CÓMO DESCONGELAR EL ELECTRODOMÉSTICO

Es necesario descongelar el refrigerador cada vez que el hielo al interior del congelador llega a un espesor de 1/4" (6mm). La descongelación puede durar hasta 2 horas, dependiente de la cantidad del hielo acumulado. Para acelerar el tiempo de la descongelación quita todo la comida congelada de la sección del congelador. Dejando la puerta entre abierta por un periodo de tiempo muy corto acelerará el proceso también.

**AVISO IMPORTANTE:** Nunca use instrumentos afilados o puntiagudos para descongelar/ sacar el hielo del compartimiento de evaporación/ congelador. El compartimiento de evaporación/ congelador contiene líneas de gas refrigerado y si se perfora/ agujerea accidentalmente, hará que el refrigerador no funcione y "anulará" la garantía del fabricante.

**NO PERMITA QUE EL REFRIGERADOR CONTINÚE FUNCIONANDO SI EL COMPARTIMIENTO DEL CONGELADOR ESTÁ PERFORADO.**

Cuando el descongelamiento haya terminado, coloque el control en el máximo durante 2 o 3 horas antes de volverlo a poner en la posición deseada. Si el refrigerador no se va a usar por mucho tiempo se sugiere que, después de realizar una limpieza cuidadosa, deje la puerta abierta para permitir que circule el aire dentro de la unidad, a fin de impedir que se produzca condensación, moho y malos olores.

**NOTA:** Espere entre 3 a 5 minutos antes de volver a encender si el funcionamiento se vio interrumpido.

## ALMACENAMIENTO DE ALIMENTOS FRESCOS

El uso adecuado del aparato, el empaquetado apropiado de los alimentos, la temperatura correcta y la observación de medidas preventivas de higiene influirán considerablemente en la calidad de los alimentos almacenados.

Los alimentos que van a guardarse en el refrigerador deben estar correctamente empaquetados, de modo que se evite la mezcla de distintos grados de humedad y olores (en bolsas o láminas de polietileno, papel de aluminio, papel encerado o en recipientes o botellas con tapa).

Antes de almacenar alimentos en el refrigerador, retire el material de embalaje innecesario (como los yogures que vienen en paquetes de varias unidades).

Empaquete en forma sistemática y asegúrese de que los alimentos no entren en contacto entre sí (pueden mezclarse distintos olores). Asegúrese de que haya una circulación adecuada de aire entre los paquetes.

Nunca almacene sustancias inflamables, volátiles o explosivas.

Las bebidas con alto contenido de alcohol deben almacenarse en botellas bien selladas, en posición vertical.

Los alimentos no deben tocar la pared trasera del refrigerador.

Los alimentos deben enfriarse antes de guardarlos.

Los alimentos crujientes y delicados deben almacenarse en las partes más frías del refrigerador.

Trate de no abrir la puerta con mucha frecuencia.

Establezca el termostato en un valor en el que se alcance la temperatura más baja. Ajuste el termostato gradualmente para evitar que se congelen los alimentos. Con un termómetro, mida la temperatura en los compartimientos individuales. Coloque el termostato en un recipiente de vidrio lleno de agua. Las mediciones de temperatura son más confiables unas horas después de llegar a una condición estable.

Algunas soluciones orgánicas, como los aceites volátiles de la cáscara de limones y naranjas, el ácido presente en la mantequilla, etc., pueden causar daños al estar en contacto con superficies plásticas o juntas durante largos períodos.

Los olores desagradables dentro del refrigerador son señal de deterioro de los alimentos o de que el refrigerador necesita una limpieza. Para reducir o eliminar los olores desagradables, lave el interior del refrigerador con una solución suave de agua y vinagre. También recomendamos usar filtros de carbón activado para limpiar el aire o neutralizar los olores.

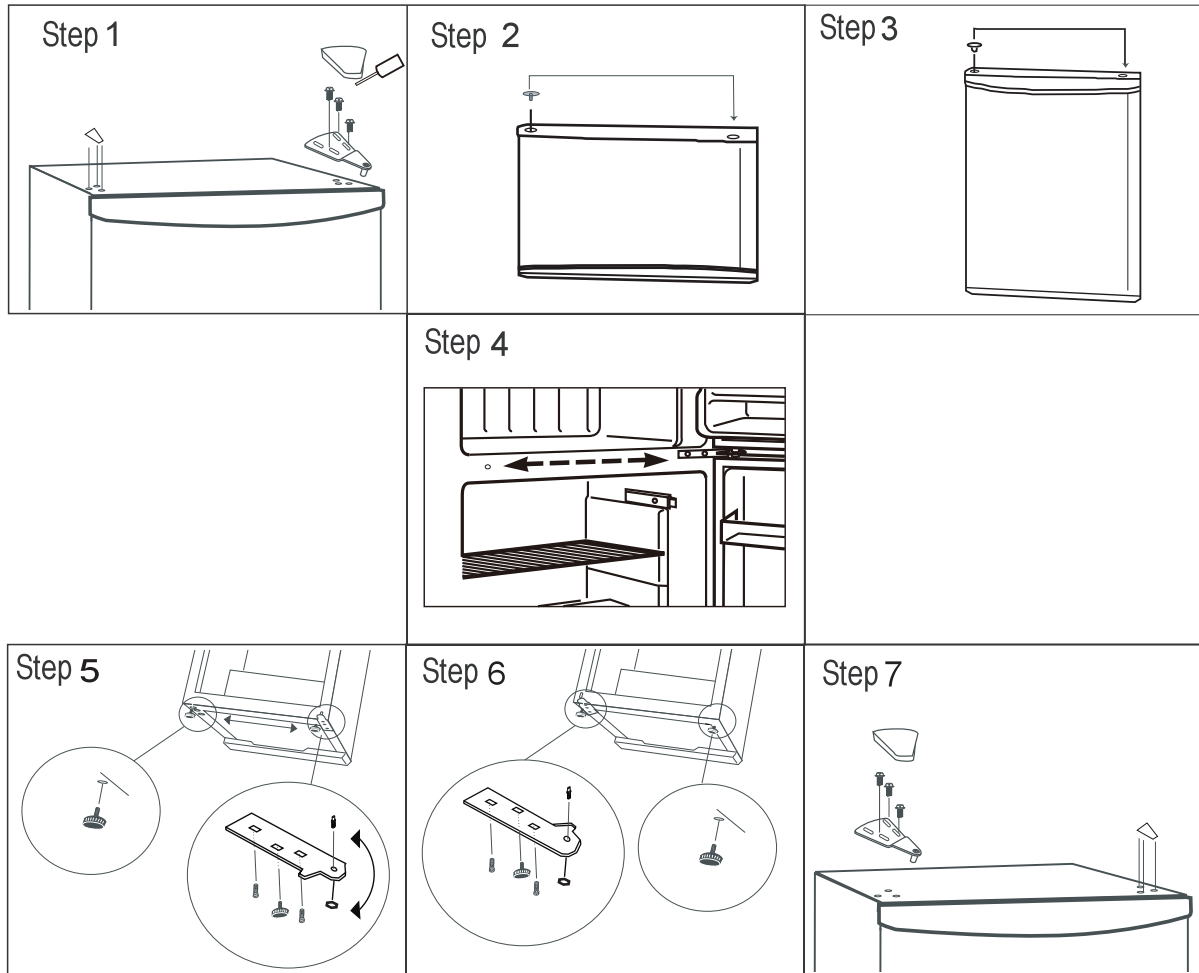
Si está planificando un viaje largo, asegúrese de retirar del aparato los alimentos perecederos antes de partir.

# CAMBIO DEL SENTIDO DEL MOVIMIENTO DE LA PUERTA

## ADVERTENCIA

Para evitarse lesiones personales y daños a la propiedad, recomendamos que otra persona lo ayude durante el proceso de cambiar de sentido en que se abre la puerta.

Si usted encuentra la dirección de abrir la puerta en su aplicación incómoda, usted puede cambiarla siguiendo los pasos demostrados en los diagramas abajo.



# CUIDADO Y MANTENIMIENTO

## LIMPIEZA DEL ARTEFACTO

- Gire el control de temperatura a la posición "0," desenchufe la unidad y saque los accesorios del interior.
- Limpie el interior con una solución de agua tibia y bicarbonato de sodio. La solución debe contener cerca de 2 cucharadas de bicarbonato de sodio y un cuarto de galón de agua.
- Limpie los accesorios del interior con un detergente suave diluido.
- El exterior de la unidad debe limpiarse con un detergente suave y agua tibia.

**ADVERTENCIA:** El no desenchufar el refrigerador-congelador podría ocasionar descarga eléctrica o lesiones.

## CORTE DE CORRIENTE

La mayoría de las fallas eléctricas se solucionan en pocas horas y no deben afectar la temperatura de su refrigerador-congelador si reduce la cantidad de veces que abre su puerta. Si la interrupción se prolonga por un período más largo, deberá tomar las medidas pertinentes para conservar sus alimentos.

## VACACIONES

**Vacaciones cortas:** Deje la unidad funcionando durante vacaciones de menos de tres semanas.

**Vacaciones largas:** Si no usará el electrodoméstico durante varios meses, saque todos los alimentos y desenchufe el cable de alimentación. Limpie y seque bien el interior del equipo. Para evitar el mal olor y la proliferación de moho, deje la puerta ligeramente abierta. Si es necesario, bloquéela para mantenerla abierta.

## SI UD SE MUDA

Saque o asegure todos los artículos dentro (ej. parrillas) del refrigerador. Para evitar que los tornillos de nivel se averíen, gírelos completamente hacia la base.

### ALGUNAS REGLAS IMPORTANTES PARA EL USO CORRECTO DEL REFRIGERADOR:

- Nunca coloque alimentos calientes en el refrigerador.
- No sobrecargue el gabinete.
- No abra la puerta a menos que sea necesario.
- Si el refrigerador guarda sin uso por períodos largos de tiempo, se sugiere que, luego de una limpieza cuidadosa, se deje la puerta entreabierta para permitir que el aire circule dentro de el gabinete y evitar una posible formación de condensación, moho u olores.

# SOLUCIÓN SUGERIDA

A menudo, los problemas son sencillos y no es necesario hacer una llamada de reparación, use esta guía de resolución de problemas para encontrar una posible solución. Si la unidad sigue funcionando mal, llame a los **números gratuitos de un centro Danby** de servicio autorizado.

Tel: 1-800-26-Danby® (1-800-263-2629).

PROBLEMA	SOLUCIÓN
Cuando el refrigerador no funciona.	<ul style="list-style-type: none"> <li>• Verifique si hay una falla en la alimentación.</li> <li>• Verifique si el enchufe de alimentación está enchufado en el tomacorriente.</li> <li>• Verifique si se ha quemado el fusible.</li> </ul>
Cuando el refrigerador enfría demasiado.	<ul style="list-style-type: none"> <li>• Puede que el dial de control de temperatura se haya fijado en una temperatura demasiado fría.</li> <li>• Si coloca alimentos con mucha humedad directamente debajo de las salidas de aire frío, se congelarán fácilmente. Esto no indica que la unidad esté funcionando mal.</li> </ul>
Cuando el refrigerador no enfría lo suficiente.	<ul style="list-style-type: none"> <li>• Es posible que los alimentos estén demasiado apretados, bloqueando el flujo de aire frío.</li> <li>• Puede que haya colocado demasiados alimentos o algo caliente en el refrigerador.</li> <li>• Es posible que la puerta no se haya cerrado correctamente.</li> <li>• Las juntas de la puerta pueden estar dañadas.</li> <li>• Es posible que el refrigerador no tenga ventilación suficiente.</li> <li>• Puede que el espacio de separación entre el refrigerador y otras superficies no sea suficiente.</li> <li>• Puede que el dial de control de temperatura no se haya fijado en la posición correcta.</li> </ul>
Cuando el agua resultante del descongelamiento se desborda dentro del refrigerador y cae al piso.	<ul style="list-style-type: none"> <li>• Verifique que no haya una obstrucción en el tubo de drenaje y la manguera de drenaje.</li> <li>• Verifique que la bandeja de drenaje esté ubicada en el lugar correcto.</li> </ul>
Cuando se forma condensación en el exterior del refrigerador.	<ul style="list-style-type: none"> <li>• Es posible que se forme condensación en el exterior cuando haya mucha humedad (durante una estación húmeda). Es lo mismo que sucede con la condensación que se forma cuando se vierte agua fría en un vaso. No indica una falla. Límpiela con un trapo seco.</li> </ul>
Cuando oye un sonido como de agua que fluye.	<ul style="list-style-type: none"> <li>• Si oye un sonido como de agua que fluye, se trata del refrigerante. No indica que la unidad esté funcionando mal.</li> </ul>
Cuando el panel lateral del gabinete se calienta.	<ul style="list-style-type: none"> <li>• El panel lateral del gabinete se calentará cuando la puerta se abra y cierre con frecuencia, al encender la unidad y cuando la unidad funcione en verano, con altas temperaturas en el exterior. En ese caso, no toque el panel. Cuanto más tiempo funcione el compresor, más se calentarán los costados de la unidad y más tiempo permanecerán calientes.</li> </ul>

## GARANTÍA LIMITADA PARA ELECTRODOMÉSTICO

Este producto de calidad está garantizado contra defectos de fabricación, incluyendo partes y mano de obra, siempre y cuando la unidad se utilice bajo las condiciones normales de funcionamiento para las que fue diseñado. Esta garantía está solamente disponible para la persona que haya comprado originalmente esta unidad directamente de Danby Products Limited (Canada) o Danby Products Inc. (U.S.A.) (en adelante "Danby") o uno de sus distribuidores autorizados, y no es transferible.

### CONDITIONS

Las piezas plásticas, se autorizan por treinta (30) días solamente a partir de la fecha de la compra, sin las extensiones proporcionadas.

- Primeros 18 meses* Durante los primeros 18 meses, cualquier parte en buen estado de este producto que resulte defectuosa, incluyendo cualquier sistema sellado, será reparado o reemplazado, a opción del fabricante, sin cargo para el comprador ORIGINAL.
- Para obtener servicio* Danby se reserva el derecho de limitar la cobertura de "Servicio en Domicilio" sujeto a la proximidad de un Taller de Servicio Autorizado. Para todo artefacto que requiera servicio fuera del área limitada de "Servicio en Domicilio", el cliente será responsable por transportar dicho artefacto hasta el Taller de Servicio Autorizado más cercano. Consulte "Límites del servicio técnico a domicilio", a continuación. Comuníquese con el distribuidor donde haya comprado la unidad, o llame al Taller de Servicio Autorizado más cercano, donde debe ser reparada por un técnico calificado. Si esta unidad es reparada en otro lugar que no sea un Taller de Servicio Autorizado, o si la unidad se utiliza para aplicaciones comerciales, Danby no se hará responsable de ninguna forma y la garantía será anulada.
- Límites del servicio técnico a domicilio* Si el electrodoméstico está instalado en un lugar que se encuentra a 100 kilómetros (62 millas) o más del centro de servicios más cercano, se debe llevar la unidad al Centro de servicios Danby autorizado más cercano, ya que dicho servicio sólo puede realizarlo un técnico calificado y certificado por Danby para prestar servicios de garantía. Los cargos por transporte desde y hacia el lugar en que se efectúe el servicio técnico no están cubiertos por esta garantía y son de responsabilidad del comprador.

Nada dentro de esta garantía implica que Danby será responsable por cualquier daño que hayan sufrido los alimentos u otros contenidos de este aparato, ya sea debido a un defecto del aparato, o su uso, adecuado o inadecuado.

### EXCLUSIONES

Salvo lo aquí indicado por Danby, no existen otras garantías, condiciones o representaciones, explícitas o implícitas, concretas o intencionales por parte de Danby o sus distribuidores autorizados y todas las demás garantías, condiciones o representaciones, incluyendo cualquier garantía, condiciones o representaciones bajo cualquier Acta de Venta de Productos o legislación o estatuto similar, quedan de esta forma expresamente excluidas. Salvo lo aquí indicado, Danby no serán responsables por ningún daño a personas o bienes, incluyendo la propia unidad, sin importar su causa, o de ningún daño indirecto causado por el desperfecto de la unidad, y al comprar esta unidad, el comprador acepta por la presente, indemnizar y proteger a Danby contra cualquier reclamo por daños a personas o bienes causados por la unidad.

### CONDICIONES GENERALES

No se considerará ninguna de estas garantías o seguros cuando el daño o la necesidad de reparación sea el producto de los siguientes casos:

- 1) Falla del suministro eléctrico.
- 2) Daños en tránsito o durante el transporte de la unidad.
- 3) Alimentación incorrecta, como bajo voltaje, instalación eléctrica defectuosa o fusibles inadecuados.
- 4) Accidente, modificación, abuso o uso incorrecto del artefacto, tal como insuficiente ventilación del ambiente o condiciones de operación anormales (temperatura ambiente extremadamente alta o baja).
- 5) Utilización comercial o industrial (v.g., si el electrodoméstico no está instalado en una vivienda particular).
- 6) Incendio, daños por agua, robo, guerra, disturbios, hostilidades, actos de fuerza mayor como huracanes, inundaciones, etc.
- 7) Pedidos de servicio debido a desinformación del usuario.
- 8) Instalación inadecuada (v.g., instalación empotrada de un electrodoméstico diseñado como unidad independiente o uso de un electrodoméstico al aire libre que no esté aprobado para dicho fin).

Para acceder a la garantía se solicitará un comprobante de compra; por lo tanto, guarde su recibo. En caso de necesitar servicio de garantía, presente ese documento al TALLER DE SERVICIO AUTORIZADO.

**Servicio de Garantía**  
Servicio en Domicilio

Danby Products Limited  
PO Box 1778, Guelph, Ontario, Canada N1H 6Z9  
Telephone: (519) 837-0920 FAX: (519) 837-0449

**1-800-263-2629**  
07/13

Danby Products Inc.  
PO Box 669, Findlay, Ohio, U.S.A. 45840  
Telephone: (419) 425-8627 FAX: (419) 425-8629

**COMPACT REFRIGERATOR  
RÉFRIGÉRATEUR COMPACT  
REFRIGERADOR COMPACTO**

**MODEL € MODÈLE € MODELO  
DCR031B1BSLDD / DCR031B1WDD**

**COMPACT REFRIGERATOR**

All repair parts are available for purchase or special order when you visit your nearest service depot. To request service and/or the location of the service depot nearest you, call the TOLL FREE number.

When requesting service or ordering parts, always provide the following information:

- Product Type
- Model Number
- Part Number
- Part Description

---

**REFRIGERADOR COMPACTO**

Todas las piezas de reparación disponibles para la compra o la orden especial cuando usted visita su depósito más cercano del servicio. Para pedir servicio y/o la localización del depósito del servicio lo más cerca posible a usted, llama Danby gratis.

Al pedir servicio o pidiendo piezas, proporcione siempre la información siguiente:

- Tipo de producto
- Número de modelo
- Número de pieza
- Descripción de la parte

**RÉFRIGÉRATEUR COMPACT**

Toutes les pièces de rechange ou commandes spéciales sont disponibles à votre centre de service régional autorisé. Pour obtenir le service et/ou la localité de votre centre de service régional, signalez le NUMÉRO D'APPEL SANS FRAIS.

Ayez les renseignements suivants à la portée de la main lors de la commande de pièce ou service:

- Type de produit
- Numéro de modèle
- Numéro de pièce
- Description de la pièce

