

# CONVECTION MICROWAVE OVEN INSTALLATION INSTRUCTIONS

**INSTALLATION AND SERVICE MUST BE PERFORMED BY A QUALIFIED INSTALLER.  
IMPORTANT: SAVE FOR LOCAL ELECTRICAL INSPECTOR'S USE.  
READ AND SAVE THESE INSTRUCTIONS FOR FUTURE REFERENCE.**

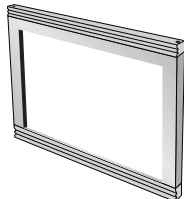
**⚠ WARNING** The electrical requirements for this oven are 115-120 volts AC, 15 amps or larger.

## IMPORTANT - PLEASE READ AND FOLLOW

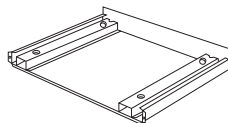
- Before beginning, please read these instructions completely and carefully.
- Be sure to DISCONNECT THE PLUG of the microwave oven from the electrical outlet before installing the built-in trim kit. Remove the turntable from the oven cavity.
- Because the kit includes metal parts, caution should be used in handling and installation to avoid the possibility of injury.
- Do not remove permanently affixed labels, warnings, or plates from the product. This may void the warranty.
- Please observe all local and national codes and ordinances.
- **The installer should leave these instructions with the consumer who should retain for local inspector's use and for future reference.**

## PARTS INCLUDED IN THE KITS

1) Front Frame Assembly  
QTY 1



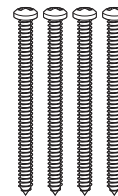
2) Bottom Duct Assembly  
QTY 1



3) Screw A (1/2" length)  
QTY 5



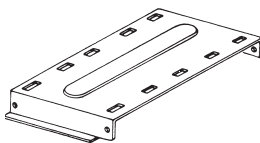
4) Screw B (1 3/4" length)  
QTY 4



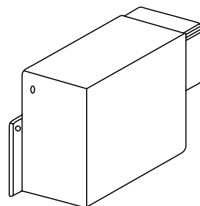
5) Screw C (1 3/16" length)  
QTY 2



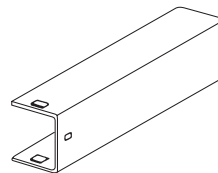
6) Duct A  
QTY 1



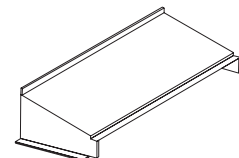
7) Duct B  
QTY 1



8) Duct C  
QTY 1



9) Duct D  
QTY 1



# CONVECTION MICROWAVE OVEN INSTALLATION INSTRUCTIONS

## NOTE:

1. Base must be capable of supporting 200 pounds (90.7 kg).
2. Make sure base is level and front of cabinet is square. If the cabinet base is not level, the oven will tend to slide out when opening the door.
3. Provide an opening in the wall or cabinet as indicated in illustration 1. The depth should be a minimum of 20 1/8" (51.1 cm). The floor of the opening should be constructed of plywood strong enough to support the weight of the convection microwave oven (about 100 lbs.) and should be level for proper operation of the oven.

**NOTE:** While the proper functioning of the convection microwave oven does not require that the opening be enclosed (with sides, ceiling and rear partition), this may be required by local code, and it is suggested that the local code be checked for any such requirement.

4. Outlet should NOT be in the shaded area as indicated on illustration 1a. At the rear of the opening, provide a 3-pronged, polarized, electrical outlet, 115-120 volt AC, 15 amp or larger.
5. Minimum required distance between the convection microwave oven and the wall oven should be 2-inches.

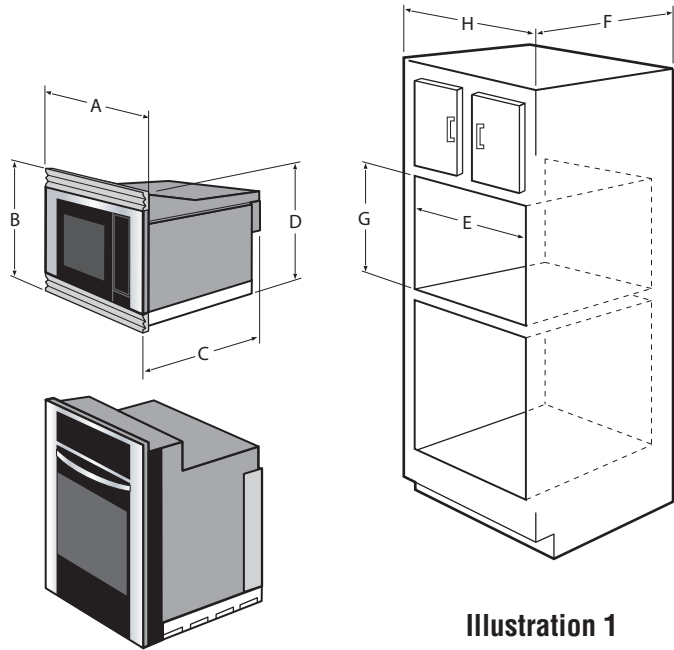


Illustration 1

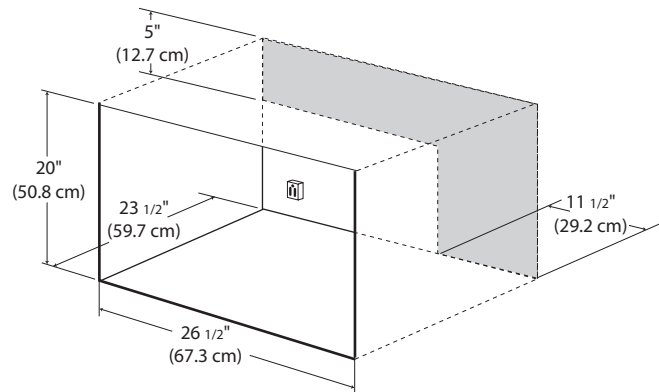


Illustration 1a

## BASIC SPECIFICATIONS

PUSHBUTTON CONVECTION MICROWAVE OVEN					
E30M065GSS					
(A)	Overall Width	30" (76.2 cm)	(E)	Cutout Width	26 1/2" (67.3 cm)
(B)	Overall Height from Bottom	21 5/8" (55.0 cm)	(F)	Cabinet Depth	24" min. (61.0 cm)
(C)	Overall Depth from Rear	20 1/8" (53.2 cm)	(G)	Cutout Height	20" (50.8 cm)
(D)	Overall Height Top to Bottom Duct	19 11/16" (50.0 cm)	(H)	Cabinet Width	30" min. (76.2 cm)
Electrical Requirements	120VAC/60 Hz (UL) 117VAC/60 Hz (CSA)	Maximum Amp Usage	1.55 KW 1.50 KW	13.0 amps (UL) 13 (CSA)	Approximate Shipping Wt. 60 lbs. (27.2 kg)
TRIM KIT DIMENSIONS					
Height	21 5/8" (55.0 cm)	Width	30" (76.2 cm)	Depth	1" (2.54 cm)

Refer to Figure 1. All dimensions are in inches (cm).

# CONVECTION MICROWAVE OVEN INSTALLATION INSTRUCTIONS

## EXHAUST DUCT ASSEMBLY

1. Insert the edge of DUCT (B) into the tab of DUCT (C). Secure together by using SCREW (A) provided in the kit. Remove the existing screw (#1) and (#2) at the upper right and left rear of the oven. Secure DUCT (C) with screw (#1) and DUCT (B) with SCREW (#2) just removed from the oven. See illustration 2.
2. Position DUCT (A) on the top of the oven inserting edge of DUCT (BC) assembly into five tabs of DUCT (A). Tighten two SCREWS (A), securing DUCT (A) to DUCT (BC). See illustration 3.
3. Position DUCT (D) on top of the oven and insert it into five tabs of DUCT (A). Secure DUCT (D) using two SCREWS (A) provided. See illustration 4.

Illustration 2

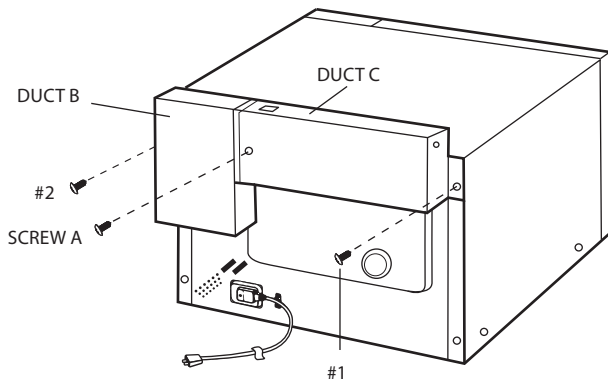


Illustration 3

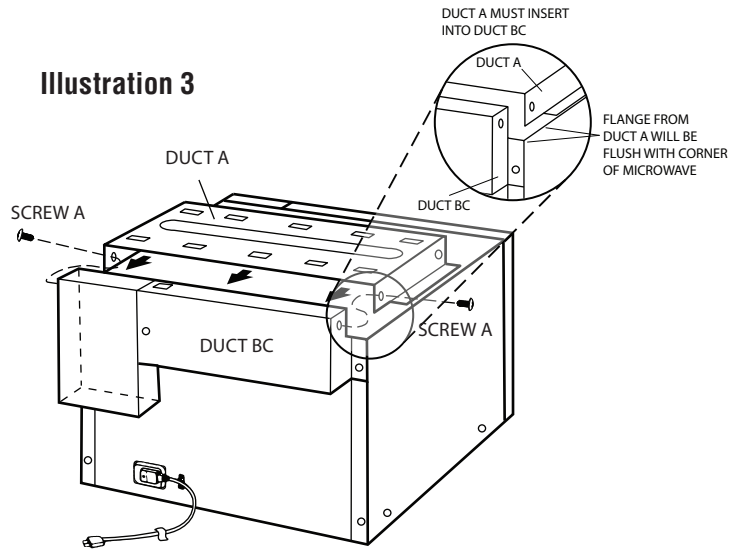
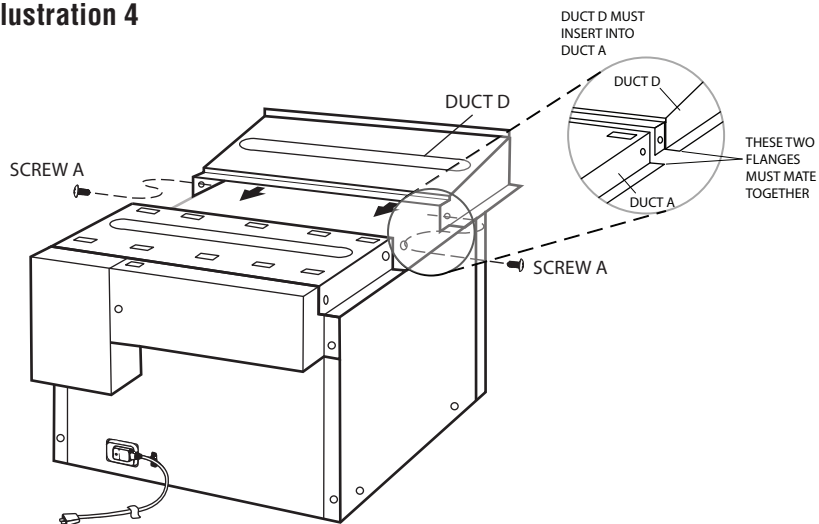


Illustration 4

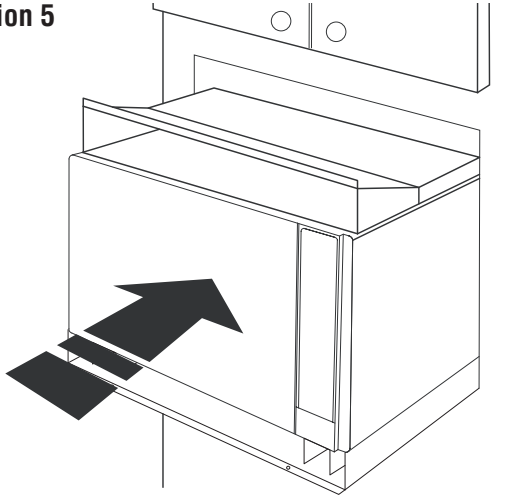


# CONVECTION MICROWAVE OVEN INSTALLATION INSTRUCTIONS

## CABINET INSTALLATION

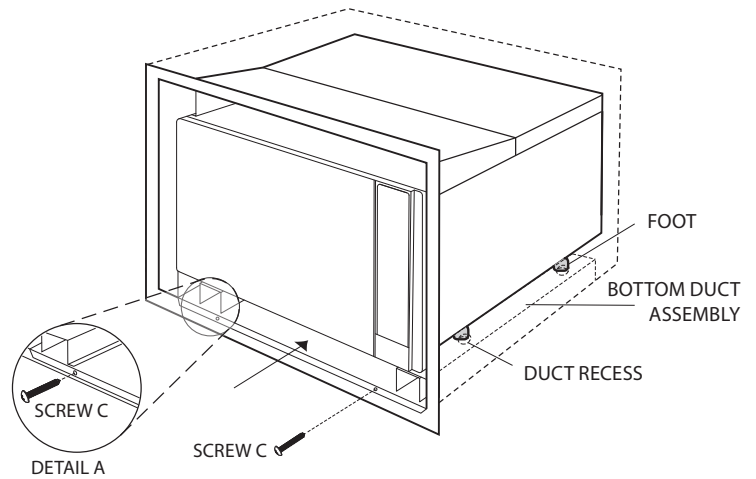
1. Place oven on the Bottom Duct Assembly. Adjust the position of the feet of the oven so that they are fitted into the recesses of the Bottom Duct Assembly. Place assembled unit adjacent to the wall or cabinet opening. Plug the power cord into the electrical outlet.
2. Carefully guide the oven with the Bottom Duct Assembly

Illustration 5



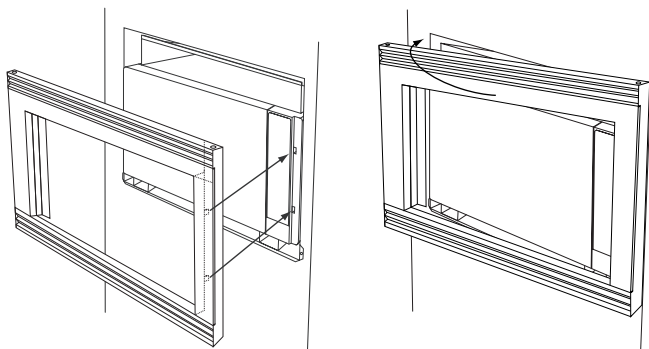
in the the prepared opening. See illustration 5. Avoid pinching the cord between the oven and the wall. When the Bottom Duct Assembly is in the opening correctly, the flange will be tightly against the lower edge of the opening. Secure the Bottom Duct Assembly with the two (1 3/16") SCREWS (C). See illustration 6.

Illustration 6



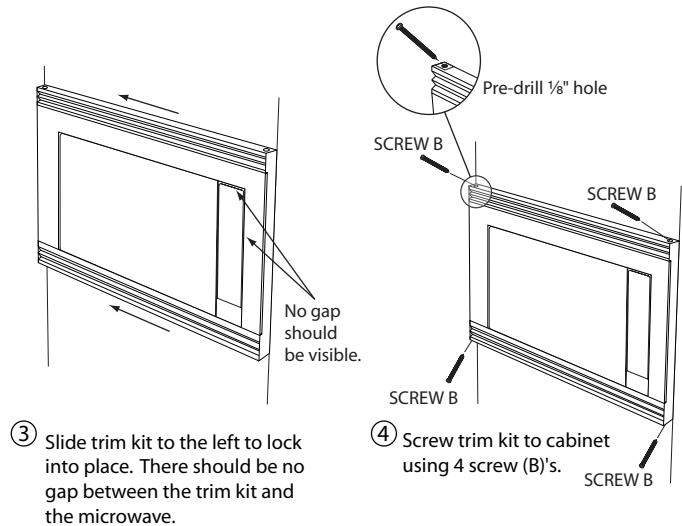
## FRAME INSTALLATION

Locate tabs on the built in trim kit to the slots on control panel and slide the built in trim kit to the left to lock the tabs in place.



- ① Insert two tabs on right side of trim kit into the slots on the microwave control panel.
- ② Swing trim kit until it rests against cabinet.

Position and attach the built-in trim kit frame with 4 screws (B) to the cabinet. See illustrations below.



## MODEL AND SERIAL NUMBER LOCATION

The serial plate is located on the oven faceplate.

When ordering parts for or making inquiries about your oven, always be sure to include the model and serial numbers and a lot number or letter from the serial plate on your oven.

## BEFORE YOU CALL FOR SERVICE

Refer to the warranty in your Use & Care Guide for our toll-free service number and address. Please call or write if you have inquiries about your product and/or need to order parts.