

INSTALLATION INSTRUCTIONS

30" & 36" DUAL FUEL RANGE

**INSTALLATION AND SERVICE MUST BE PERFORMED BY A QUALIFIED INSTALLER.
IMPORTANT: SAVE FOR LOCAL ELECTRICAL INSPECTOR'S USE.
READ AND SAVE THESE INSTRUCTIONS FOR FUTURE REFERENCE.**

⚠ WARNING FOR YOUR SAFETY: Do not store or use gasoline or other flammable vapors and liquids in the vicinity of this or any other appliance.



Table of Contents

Important Safety Instructions.....	2-4	Connect Fuel Supply	10
Product Dimensions	5	Install Oven Racks.....	11-12
Cabinet Dimensions	6	Level the Range	13
Cabinet Construction.....	7	Install Anti-Tip Bracket.....	14-15
Electrical Requirements.....	7-8	Install Burner Assemblies	16-17
Power Supply Cord.....	8	Check Oven Operation	18
Fuel Supply Requirements	9	After Installation.....	18
		Serial Plate Location (Model & Serial Number).....	18

Important Notes to the Installer

1. Read all instructions contained in these installation instructions before installing range.
2. Remove all packing material from the oven and the drawer compartments before connecting the electrical supply to the range.
3. The anti-tip bracket supplied with the appliance must be installed.
4. Observe all governing codes and ordinances.
5. Be sure to leave these instructions with the consumer.

Important Note to the Consumer

1. Keep these instructions with your owner's guide for future reference.
2. When using any appliance generating heat, there are safety precautions you must follow. These precautions are explained in your Use and Care manual. Read your manual carefully.
3. Be sure your appliance is installed and grounded by a qualified installer or service technician.

30" & 36" DUAL FUEL RANGE INSTALLATION INSTRUCTIONS

IMPORTANT SAFETY INSTRUCTIONS

This appliance must be installed, grounded, and serviced by a qualified installer or service technician.

This manual contains important safety symbols and instructions. Please pay attention to these symbols and follow all instructions given. Do not attempt to install or operate your appliance until you have read the safety precautions in this manual. Safety items throughout this manual are labeled with a WARNING or CAUTION statement based on the risk type.

Warnings and important instructions appearing in this guide are not meant to cover all possible conditions and situations that may occur. Common sense, caution, and care must be exercised with installing, maintaining, or operating your appliance.

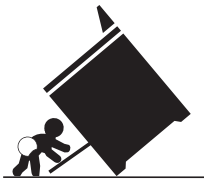
⚠ This is the safety alert symbol. It is used to alert you to potential personal injury hazards. Obey all safety messages that follow this symbol to avoid possible injury or death.

⚠ WARNING Indicates a potentially hazardous situation which, if not avoided, may result in death or serious injury.

⚠ CAUTION Indicates a potentially hazardous situation which, if not avoided, may result in minor or moderate injury.

IMPORTANT: Indicates installation, operation, maintenance, or valuable information that is not hazard related.

⚠ WARNING Tip Over Hazard

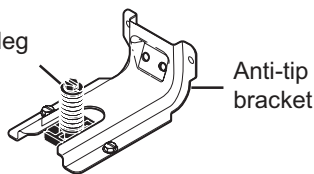


- A child or adult can tip the range and be killed.
- Verify the anti-tip device has been installed to floor or wall.

- Ensure the anti-tip device is re-engaged to floor or wall when the range is moved.
- Do not operate the range without the anti-tip device in place and engaged.
- Failure to follow these instructions can result in death or serious burns to children and adults.



Range leveling leg



Anti-tip bracket

To check if the anti-tip bracket is installed properly, use both arms to grasp the rear edge of the range back. Carefully attempt to tilt range forward. When properly installed, the range should not tilt forward.

Refer to the anti-tip bracket installation instructions supplied with your range for proper installation.

⚠ WARNING If the information in this manual is not followed exactly, a fire or explosion may result causing property damage, personal injury or death.

FOR YOUR SAFETY:

- Do not store or use gasoline or other flammable vapors and liquids in the vicinity of this or any other appliance.
- WHAT TO DO IF YOU SMELL GAS:
 - Do not try to light any appliance.
 - Do not touch any electrical switch; do not use any phone in your building.
 - Immediately call your gas supplier from a neighbor's phone. Follow the gas supplier's instructions.
 - If you cannot reach your gas supplier, call the fire department.
- Installation and service must be performed by a qualified installer, servicer or the gas supplier.

30" & 36" DUAL FUEL RANGE INSTALLATION INSTRUCTIONS

WARNING

- **Excessive Weight Hazard**--Use two or more people to move and install range. Failure to follow this instruction can result in back or other injury.
- **Storage In or On Appliance**—Flammable materials should not be stored in an oven or microwave, near surface burners or elements, or in the storage or warmer drawer (if equipped). This includes paper, plastic, and cloth items, such as cookbooks, plastic ware, and towels, as well as flammable liquids. Do not store explosives, such as aerosol cans, on or near the appliance.
- **Do not leave children alone** - Children should not be left alone or unattended in the area where appliance is in use. They should never be allowed to sit or stand on any part of the appliance, including the storage drawer, lower broiler drawer, warmer drawer, or lower double oven.
- Do not store items of interest to children in the cabinets above the appliance or on the backguards of ranges. Children climbing on or near the appliance to reach items could be seriously injured.
- Stepping, leaning, or sitting on the door or drawers of this appliance can result in serious injuries and also cause damage to the appliance.
- Do not use oven or warmer drawer (if equipped) for storage.
- Never use your appliance as a space heater to heat or warm the room. Doing so may result in carbon monoxide poisoning and overheating of the appliance.
- Do not store or use gasoline or other flammable vapors and liquids in the vicinity of this or any other appliance.
- Air curtain or other overhead range hoods which operate by blowing a downward air flow onto a range or cooktop, shall not be used in conjunction with gas ranges or cooktops other than when the range or cooktop and hood have been designed, tested, and listed by an independent test laboratory for use in combination with each other.

IMPORTANT INSTRUCTIONS FOR UNPACKING AND INSTALLATION

Read and follow the below instructions and precautions for unpacking, installing, and servicing your appliance:

- Destroy the carton and plastic bags after unpacking the appliance. Never allow children to play with packaging material. Do not remove the wiring label and other literature attached to the appliance. Do not remove model/serial number plate.

- Cold temperatures can damage the electronic control. When using this appliance for the first time, or when the appliance has not been used for an extended period of time, be sure the appliance has been in temperatures above 32°F (0°C) for at least 3 hours before turning on the power to the appliance.
- Never modify or alter the construction of the appliance by removing the leveling legs, panels, wire covers, anti-tip brackets/screws, or any other part of the appliance.
- Proper Installation—Be sure your appliance is properly installed and grounded by a qualified technician. In the United States, install in accordance with the National Fuel Gas Code ANSI Z223.1/NPFA No. 54, latest edition and National Electrical Code NFPA No. 70 latest edition, and local electrical code requirements. In Canada, install in accordance with CAN/CGA B149.1 and CAN/CGA B149.2 and CSA Standard C22.1, Canadian Electrical code, Part 1-latest editions and local electrical code requirements. Install only per installation instructions provided in the literature package for this appliance.
- The installation of appliances designed for manufactured (mobile) home installation must conform with Manufactured Home Construction and Safety Standard, title 24CFR, part 3280 [Formerly the Federal Standard for Mobile Home Construction and Safety, title 24, HUD (part 280)] or when such standard is not applicable, the Standard for Manufactured Home Installation 1982 (Manufactured Home Sites, Communities and Setups), ANSI Z225.1/ NFPA 501A-latest edition, or with local codes in United States and with CAN/CSA-Z240 MH in Canada.
- Before installing the range in an area covered with linoleum or any other synthetic floor covering, make sure the floor covering can withstand heat at least 90°F (32.2°C) above room temperature without shrinking, warping or discoloring. Do not install the range over carpeting unless you place an insulating pad or sheet of ¼" (0,64 cm) thick plywood between the range and carpeting.
- Make sure the wall coverings and cabinet materials around the range can withstand the heat generated by the appliance.
- To eliminate the risk of burns or fire by reaching over heated surface units, cabinet storage space above the surface unit should be avoided. If cabinet storage is to be provided the risk can be reduce by installing a range hood that projects horizontally a minimum of 5 inches beyond the bottom of the cabinet.
- Do not obstruct airflow at the oven vent, around the base, or beneath the lower front panel of the appliance. This appliance requires fresh air for proper operation.
- Be sure to have an appropriate foam-type fire extinguisher available, visible, and easily accessible located near the appliance.

30" & 36" DUAL FUEL RANGE INSTALLATION INSTRUCTIONS

SPECIAL INSTRUCTIONS FOR APPLIANCES INSTALLED IN THE STATE OF MASSACHUSETTS

This appliance can only be installed in the State of Massachusetts by a Massachusetts licensed plumber or gas fitter. When using a flexible gas connector, it must not exceed 3 feet (36 inches) in length. A "T" handle type manual gas valve must be installed in the gas supply line to this appliance.

CONVERSION TO L.P. GAS

This appliance allows for conversion to Liquefied Petroleum (L.P.) Gas.

⚠ WARNING Personal injury or death from electrical shock may occur if the conversion to L.P. gas is not made by a qualified installer or electrician. Any additions, changes or conversions required in order for this appliance to satisfactorily meet the application needs must be made by a qualified technician.

If L.P. conversion is needed, contact your local L.P. Gas provider for assistance. The L.P. conversion kit is provided with this appliance and is located on the lower REAR (back side) panel of the range. Before installing the kit be sure to read the L.P. Installation Instructions and follow them carefully when making the installation.

IMPORTANT INSTRUCTIONS FOR SERVICE AND MAINTENANCE

- Do not repair or replace any part of the appliance unless specifically recommended in the manuals. All other servicing should be done only by a qualified technician. This reduces the risk of personal injury and damage to the appliance.
- Always contact your dealer, distributor, service agent, or manufacturer about problems or conditions you do not understand.
- Ask your dealer to recommend a qualified technician and an authorized repair service. Know how to disconnect the power to the appliance at the circuit breaker or fuse box in case of an emergency.
- Remove the oven door from any unused oven if it is to be stored or discarded.
- Do not touch a hot oven light bulb with a damp cloth. Doing so could cause the bulb to break. Handle halogen lights (if equipped) with paper towels or soft gloves. Disconnect the appliance or shut off the power to the appliance before removing and replacing the bulb.

30" & 36" DUAL FUEL RANGE INSTALLATION INSTRUCTIONS

Product Dimensions

⚠ WARNING Do not install the unit in the cabinet before reading next two pages.

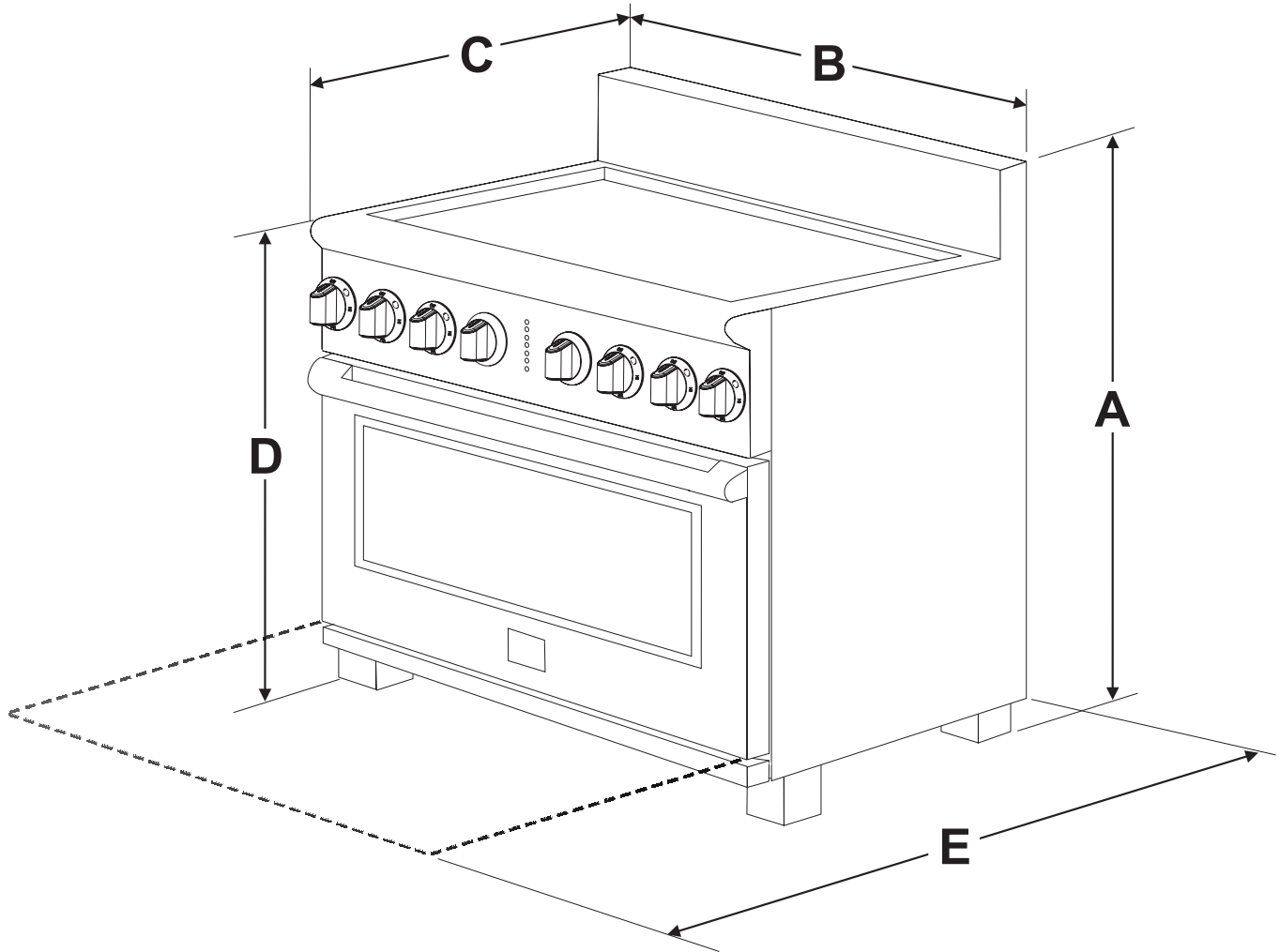


Figure 1: Product Dimensions

MODEL	A. HEIGHT	B. WIDTH	C. DEPTH TO FRONT OF RANGE	D. HEIGHT OF COOKTOP	E. DEPTH WITH DOOR OPEN
30"	41 5/8" (105.7 cm) Min.	29 7/8" (75.9 cm)	27 1/2" (69.9cm)	35 3/4" (90.8 cm) Min.	46 1/4" (117.5 cm)
36"	42 5/8" (108.3 cm) Max.	35 7/8" (91.1 cm)		36 3/4" (93.3 cm) Max.	48 3/8" (122.9 cm)

30" & 36" DUAL FUEL RANGE INSTALLATION INSTRUCTIONS

Cabinet Dimensions

Clearances and Dimensions

- Provide adequate clearances between the appliance and adjacent combustible surfaces.
- Location - Check location where the appliance will be installed. Check for proper electrical supply and floor stability.
- Dimensions shown must be used. Given dimensions provide minimum clearance. Contact surface must be solid and level.

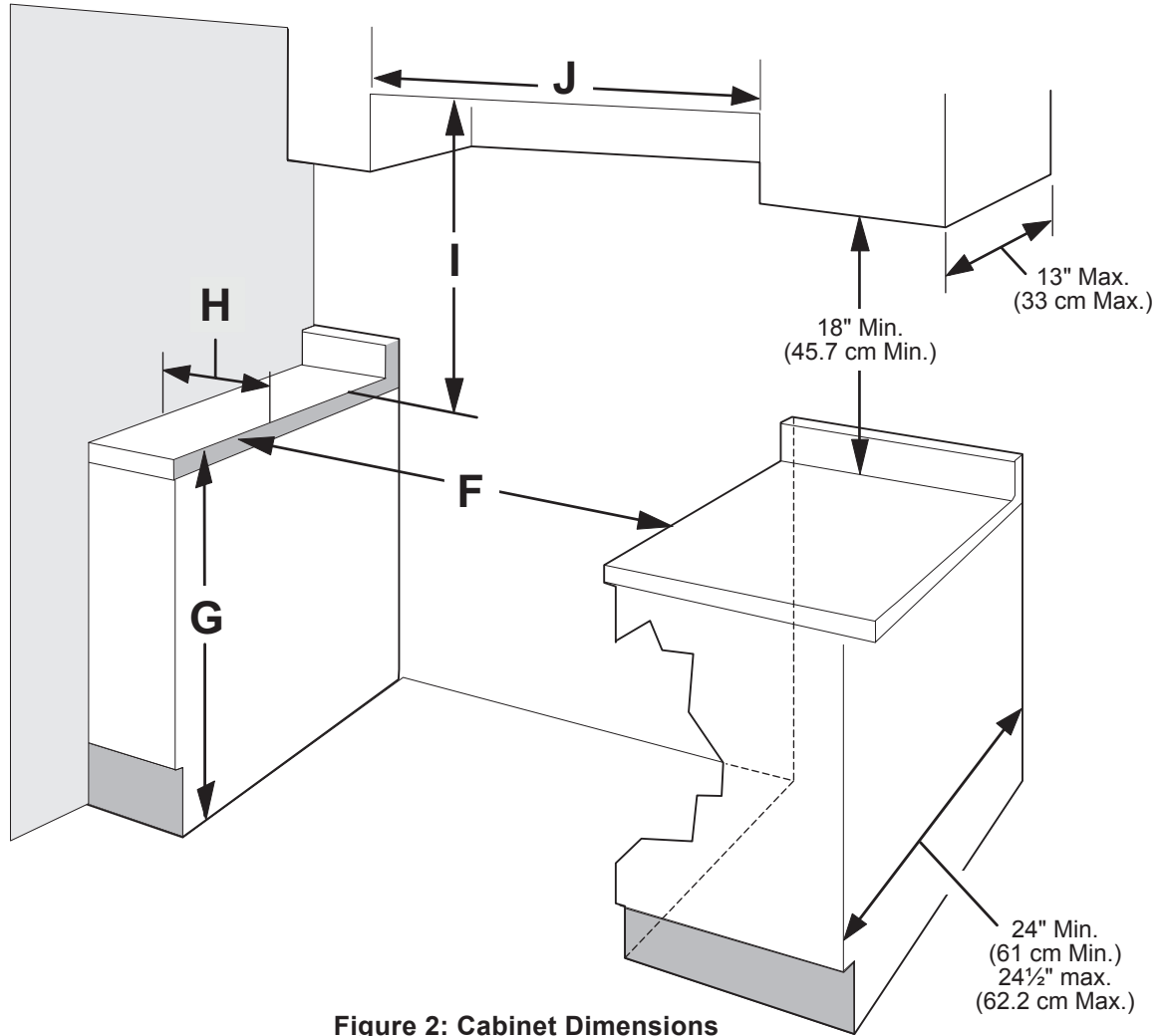


Figure 2: Cabinet Dimensions

MODEL	F. MINIMUM CUTOUT WIDTH	G. HEIGHT OF COUNTERTOP	H. CLEARANCE FROM SIDE WALLS ²	I. CLEARNACE FROM COOKTOP AND CABINET BOTTOM ³	J. CLEARANCE WIDTH OF OVERHEAD CABINETS
30"	30 1/16" (76.4 cm)	36" (91.4 cm) Standard	5" (12.7 cm) Min.	30" (76.2 cm) Min.	30" (76.2 cm) Min.
36"	36 1/16" (91.6 cm)	35 3/4" (90.8 cm) Min.	7" (17.8 cm) Min.	36" (91.4 cm) Min.	36" (91.4 cm) Min.

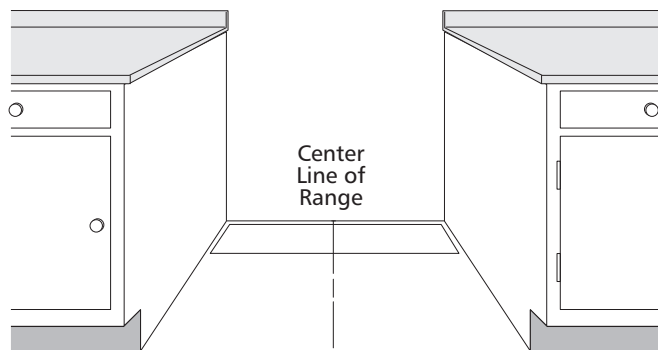
NOTES:

1. Do not seal the range to the side cabinets.
2. Clearance from adjacent walls or other vertical surfaces or structures such as cabinets.
3. Measurements listed are minimum clearances between the cooktop and the bottom of the cabinet.
4. 0" clearance between range and cabinets or vertical surfaces that are below the cooktop height.
5. 0" clearance between range back and rear wall or cabinet.

30" & 36" DUAL FUEL RANGE INSTALLATION INSTRUCTIONS

1 Cabinet Construction

⚠ CAUTION To eliminate the risk of burns or fire by reaching over heated surface units, do not have cabinet storage space above the range. If there is cabinet storage space above range, reduce risk by installing a range hood that projects horizontally a minimum of 5" (12.7 cm) beyond the bottom of the cabinet.



Follow instructions for the type of installation you have

Figure 3: Cabinet construction

1.1 Installation: Cabinet on Both Sides

1. If range will be installed with a cabinet on both sides, Draw a center line on the floor between the cabinets (Figure 5).
2. If back of range will not be flush with the wall (the location of the outlet may not allow the range to be positioned against the wall), draw a line on the floor where the back edge of the range will be.
3. Install anti-tip brackets (see "Anti-Tip Bracket Installation").

1.2 Installation: Cabinet on One Side Only

1. If range will be installed with a cabinet on one side only, move the range into final position.
2. Draw a line on the floor along the side of the range that is not against the cabinet. If back of range will not be flush with the wall (the location of the outlet may not allow the range to be positioned against the wall), draw a line on the floor where the back edge of the range will be.
3. Install anti-tip brackets (see "Anti-Tip Bracket Installation").

1.3 Installation: Without Cabinet

1. If range will not be installed against a cabinet, move range into final position.
2. Mark on the floor along both sides of the range. If back of range will not be flush with the wall (the location of the outlet may not allow the range to be positioned against the wall), draw a line on the floor where the back edge of the range will be.
3. Install anti-tip brackets (see "Anti-Tip Bracket Installation").

2 Electrical Requirements

⚠ WARNING

Electrical Shock Hazard –Electrical ground is required on this appliance. Use only the power cord supplied with the appliance. Improper connections and grounding may result in electric shock, damage to the appliance, personal injury, fire or death.

Grounding Requirements

This appliance must be installed and grounded by a qualified technician.

In the United States, install in accordance with the National Fuel Gas Code ANSI Z223.1/NPFA No. 54, latest edition and National Electrical Code NFPA No. 70 latest edition, and local electrical code requirements. In Canada, install in accordance with CAN/CGA B149.1 and CAN/CGA B149.2 and CSA Standard C22.1, Canadian Electrical code, Part 1-latest editions and local electrical code requirements.

For personal safety, this appliance must be properly grounded. For maximum safety, the power cord must be plugged into an electrical outlet that is the correct voltage, is correctly polarized and properly grounded in accordance with local codes. It is the personal responsibility of the consumer to have the appropriate outlet with the correct, properly grounded wall receptacle installed by a qualified electrician.

This appliance is intended to be plugged into a 14-50R standard wall receptacle.

Electrical Wall Receptacle	
	Required for all installations 4-Wire receptacle (14-50R)

When only 4-wire, single phase, 240 volt, 60 Hz, AC-only electrical supply is available, this appliance requires minimum 40 amp circuit protection fused on both sides of the line.

A time-delay circuit breaker or fuse is recommended.

Be sure the wall receptacle is within reach of the appliance's final installed location.

Do not pinch the power supply cord between the range and the wall.

30" & 36" DUAL FUEL RANGE INSTALLATION INSTRUCTIONS

Recommended Wall Outlet Installation Locations

Suggested location of the wall outlet is shown in Figure 4 for 30" models and in Figure 5 for 36" models. The outlet may also be located in the lower left corner of the adjacent right cabinet, as shown in Figure 6

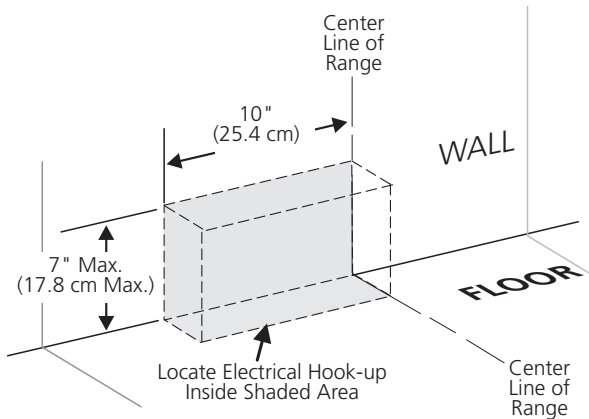


Figure 4: 30" Models Outlet Location

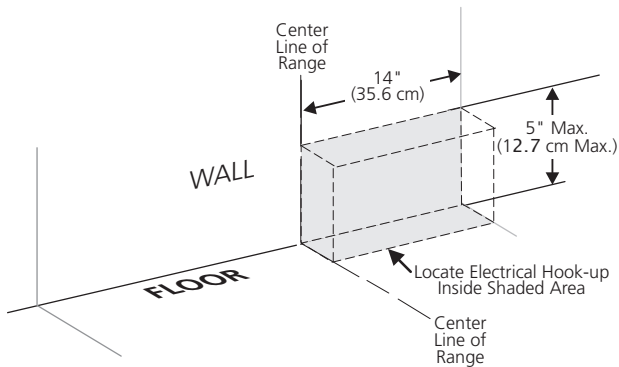


Figure 5: 36" Models Outlet Location

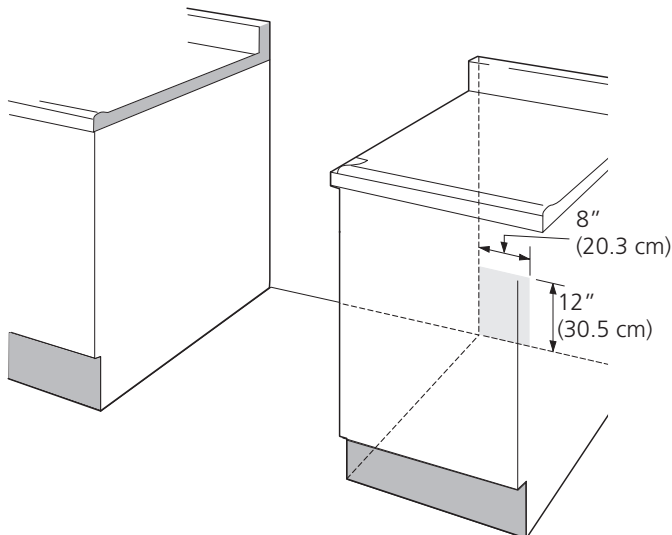


Figure 6: Adjacent Cabinet Outlet Location

3 Power Supply Cord

⚠ WARNING

Electrical Shock Hazard –Do not attempt to install the appliance directly to a junction box, modify the factory-installed cord, or connect a different power cord to the appliance. If the wall outlet is not sufficient to support the requirements of this appliance, it is the responsibility of the consumer to have the appropriate outlet installed by an electrician. Improper installation and electrical connections can result in electric shock, damage to the appliance, personal injury, fire, or death.

This appliance is equipped with a factory-connected, 4-wire power supply cord (Figure 7). This cord is rated at 240 volts, 40 amps, and temperature rated at 194°F (90°C). This cord is UL/CSA listed and has been tested and approved for use with this appliance.

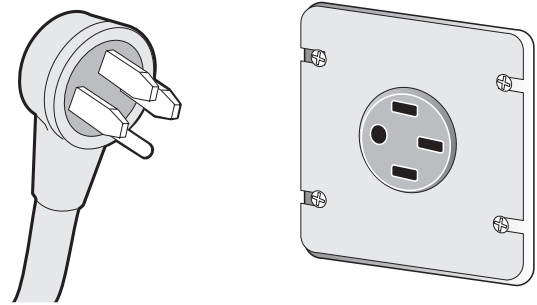


Figure 7: Factory connected power supply cord

Appliance Rating*		Power Supply Rating
120/240 Volts	120/208 Volts	Amps
1-10 kW	0-7.6 kW	30
8.8-16.5 kW	7.8-12.5 kW	40 or 50
16.6-22.5 kW	12.6-18.5 kW	50

* The NEC calculated load is less than the total connected load listed on the serial plate.

30" & 36" DUAL FUEL RANGE INSTALLATION INSTRUCTIONS

4 Fuel Supply Requirements

This unit is designed to operate on 4" (10.16 cm) water column (1.0 kPa) natural gas manifold pressure.

A convertible pressure regulator is connected to the range manifold and **MUST** be connected in series with the gas supply line. The regulator is located as shown on Figure 8 and it is accessible from front of the range.

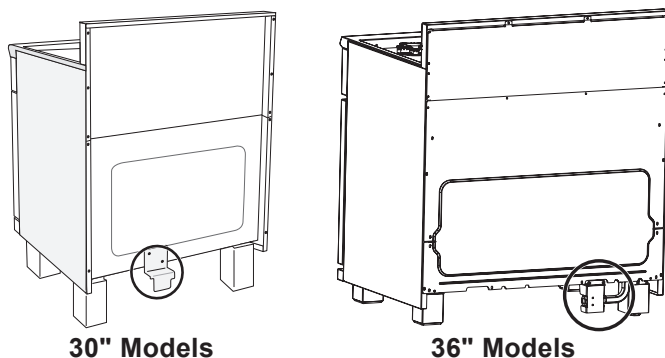


Figure 8: Regulator locations

For proper operation, the maximum inlet pressure to the regulator should be no more than 14" (35.56 cm) of water column pressure (3.5 kPa).

The inlet pressure to the regulator must be at least 1" (0.25 kPa) greater than the regulator manifold pressure setting. The regulator is set for 4" (10.16 cm) water column (1.0 kPa) Natural gas manifold pressure; the inlet pressure must be at least 5" (12.60 cm) water column (1.25 kPa) Natural gas.

For operation at 2000 ft. above sea level, appliance rating is reduced by 4 percent for each additional 1000 ft.

4.1 Gas Supply Location

The gas supply piping can be through the side wall of the right cabinet. The right side cabinet is an ideal location for the main shutoff valve, if the range is installed within cabinet storage space.

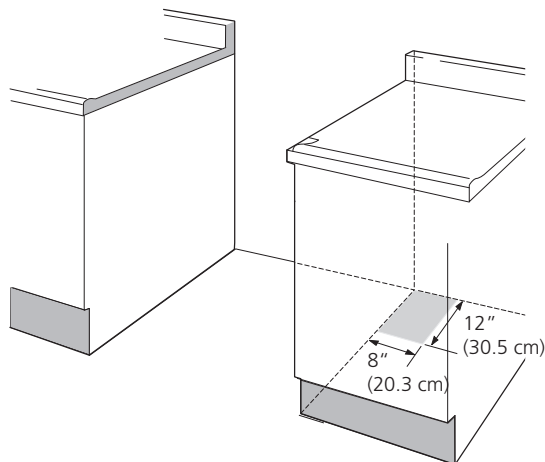


Figure 9: Recommended gas supply location

4.2 Shutoff Valve

The supply line should be equipped with an approved shutoff valve as shown in Figure 10. This valve should be located in the same room as the range and should be in a location that allows ease of opening and closing. Do not block access to the shutoff valve. The valve is for turning on or shutting off gas to the appliance.

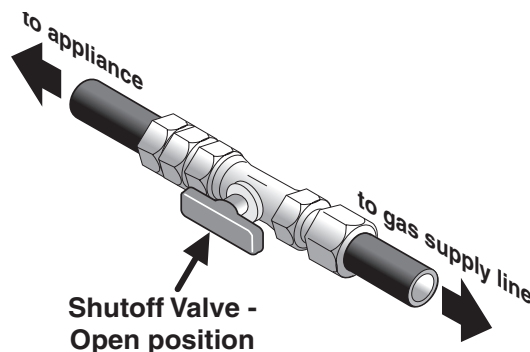


Figure 10: Shutoff valve

The gas supply between the shutoff valve and the regulator may be connected by rigid piping or by A.G.A./C.G.A.- approved flexible metallic union-connected piping where local codes permit use.

The user must know the location of the main shutoff valve and have easy access to it.

4.3 Conversion to Liquefied Petroleum (L.P.) Gas

This appliance allows for conversion to Liquefied Petroleum (L.P.) Gas.

⚠ WARNING Personal injury or death from electrical shock may occur if the conversion to L.P. gas is not made by a qualified installer or electrician. Any additions, changes or conversions required in order for this appliance to satisfactorily meet the application needs must be made by a qualified technician.

If L.P. conversion is needed, contact your local L.P. Gas provider for assistance. The L.P. conversion kit is provided with this appliance and is located on the lower REAR (back side) panel of the range. Before installing the kit be sure to read the L.P. Installation Instructions and follow them carefully when making the installation.

For LP/Propane gas, the regulator must be set for 10" (25.4 cm) water column (2.5 kPa) manifold pressure; the inlet pressure must be at least 11" (27.9 cm) water column (2.75 kPa).

30" & 36" DUAL FUEL RANGE INSTALLATION INSTRUCTIONS

5 Connect Fuel Supply

5.1 Fuel Supply Connection

⚠ WARNING This appliance must be installed, grounded, and serviced by a qualified installer or service technician.

⚠ CAUTION Do not make connections too tight. The regulator is die cast. Overtightening may crack the regulator resulting in a gas leak and possible fire or explosion.

This appliance includes a regulator. The gas supply line requires the following parts which are not supplied with the appliance:

- Manual shutoff valve
- 1/2" nipples (2)
- 1/2" flare union adapter (2)
- Flexible connector

The gas supply line to the shutoff valve should be 1/2"(1.27 cm) or 3/4"(1.9 cm) solid pipe.

Install the gas supply pipe to the pressure regulator in the order shown in Figure 11. All connections should be tightened with a wrench.

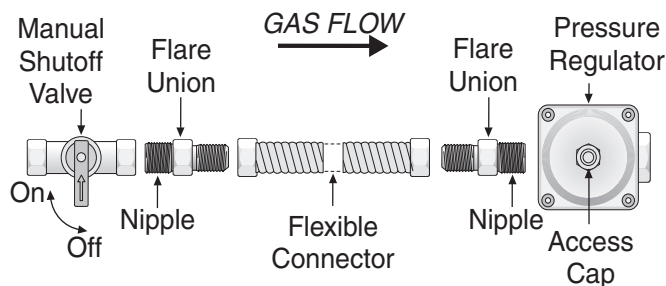


Figure 11: Fuel supply connection flow

When using flexible gas conduit on the range, allow sufficient slack to pull the range outside the cutout for cleaning or servicing.

Use pipe-joint compound made for use with Natural and LP/Propane gas to seal all gas connections. If flexible connectors are used, be certain connectors are not kinked.

Do not allow the flexible conduit to get pinched between the wall and the range.

5.2 Check For Leaks

⚠ WARNING Do not use a flame to check for leaks from gas connections. Checking for leaks with a flame may result in a fire or explosion.

After connecting the range to the gas supply, check the system for leaks with a manometer. If a manometer is not available, turn on the gas supply and use a liquid leak detector (or soap and water) at all joints and connections to check for leaks. Leaks will be indicated by bubbles appearing at the connections or joints.

All openings in the wall or floor where the range is to be installed must be sealed.

1. Tighten all connections if necessary to prevent gas leakage in the cooktop or supply line.
2. Disconnect this range and its individual shutoff valve from the gas supply piping system during any pressure testing of the system at test pressures greater than 1/2 psig (3.5 kPa or 14"(35.56 cm) water column).
3. Isolate the range from the gas supply piping system by closing its individual manual shutoff valve during any pressure testing of the gas supply piping system at test pressures equal to or less than 1/2 psig (3.5 kPa or 14"(35.56 cm) water column).

30" & 36" DUAL FUEL RANGE INSTALLATION INSTRUCTIONS

6 Install the Oven Racks

6.1 30" Models - Ladder Rack Supports

To aid installation of the porcelain oven rack supports, apply a thin layer of cooking oil to all the prongs of the supports as shown in Figure 12.

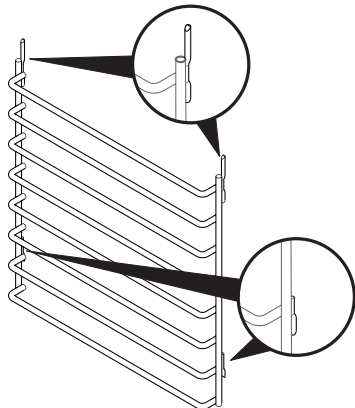


Figure 12: Ladder rack supports - oil areas

1. Hold the oven rack support at a slight angle and insert prongs into the holes at the top of the oven cavity (Figure 13).
2. Lift the rack into the top holes, aligning the bottom prongs with the bottom holes (Figure 13).

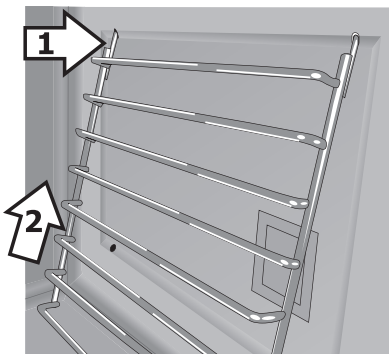


Figure 13: Ladder rack supports - top prongs

3. Once the upper prongs are in place, hold the oven rack support flush with the oven side and insert the bottom prongs into the bottom holes (Figure 14).
4. Slide the bottom prongs down into the lower holes. Some force may be required to set the rack into place (Figure 14).

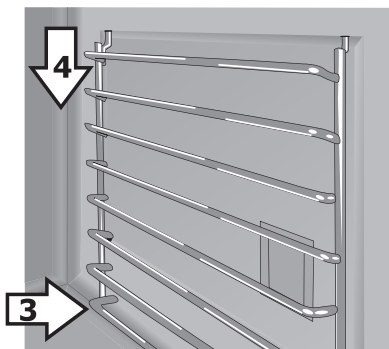


Figure 14: Ladder rack supports - bottom prongs

6.2 30" Models - Glide Racks

The glide racks install like other oven racks.

The glide rack stop (Figure 15) must be inside the ladder support for the rack to slide in and out properly.

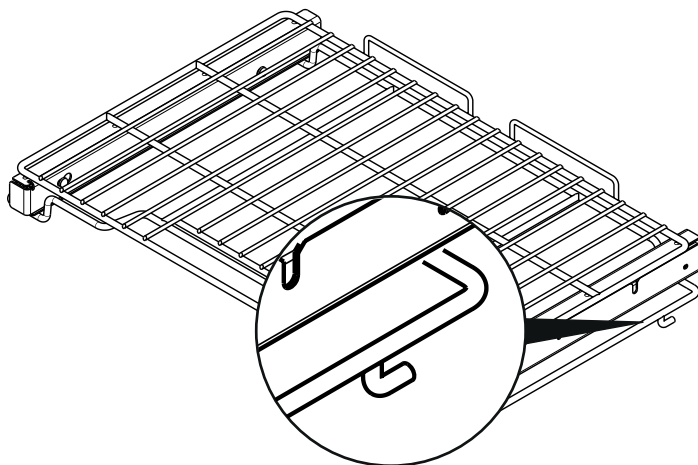


Figure 15: Glide rack stop

Place the oven rack on the rack supports. Tilt the back of the rack upward slightly to get the stop into place inside the ladder rack. Slide the oven rack back into place

Be sure to slide the rack all the way in so that the back of the rack stops by meeting the vertical support of the ladder rack.

To prevent possible damage to the oven, do not attempt to close the oven door until all oven racks are fully positioned inside the oven cavity.

30" & 36" DUAL FUEL RANGE INSTALLATION INSTRUCTIONS

6.3 36" Models - Ladder Rack Supports

1. Remove the thumb screws located on each side of the oven cavity (see Figure 16).

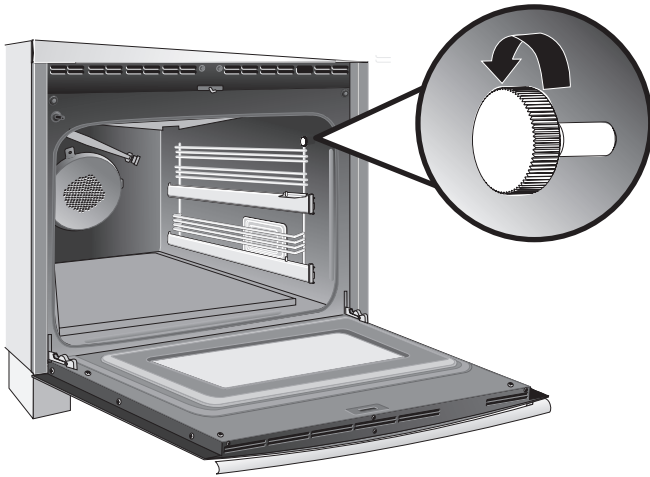


Figure 16: Ladder rack thumb screw

2. Place the ladder racks into the support brackets located on the oven sides (see Figure 17).

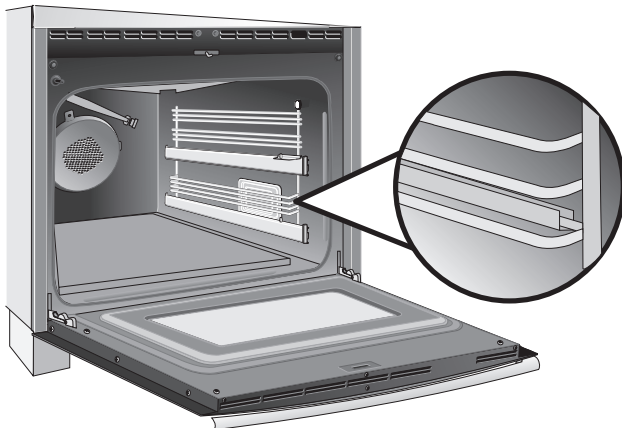


Figure 17: Ladder rack supports

3. Replace the screws removed in Step 1.

6.4 36" Models - Glide Racks

On 36" models, the glide tracks for the gliding oven racks come pre-installed on the ladder rack supports (see Figure 18).

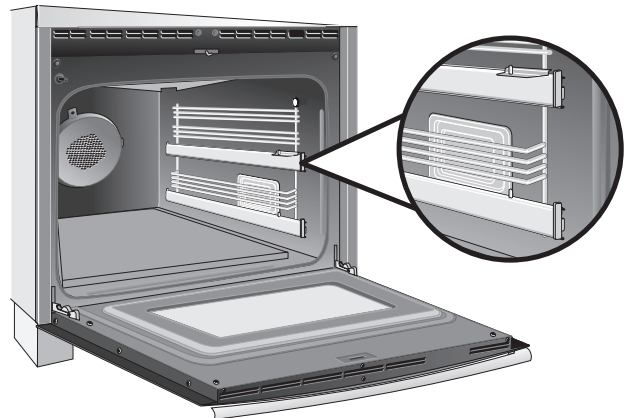


Figure 18: Ladder rack glides

The glide racks appear slightly different than the flat racks (see Figure 19). Only the glide racks can be installed onto the glide tracks.

1. Extend the two bottom glides fully out of the oven.
2. Place the glide rack on top of the glides.
3. Near the back of the rack, fit the rack slot onto the track tabs. Near the front of the rack, fit the track pin into the hole on the rack (see Figure 19).
4. Once the rack is installed, it can be pulled in and out of the oven cavity on the glide tracks. Repeat for the top set of glides.

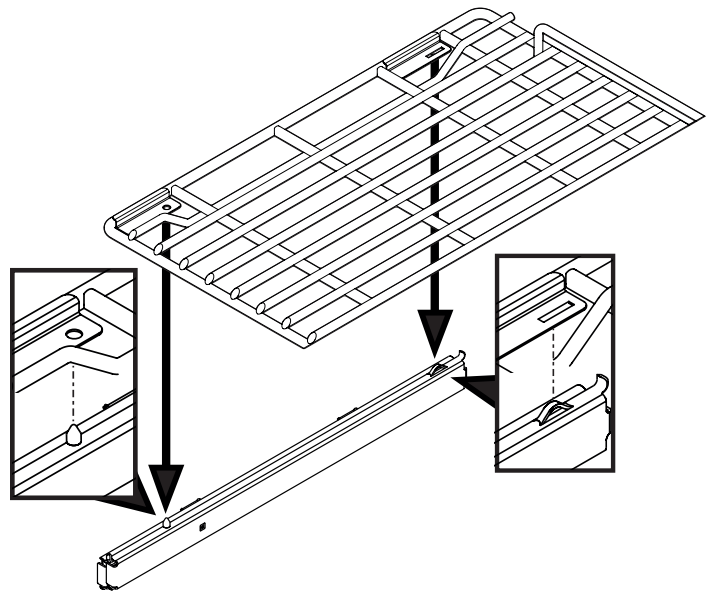


Figure 19: Installing glide racks

The glide racks can only be used in these positions. The racks may be removed from the tracks and used like a regular flat rack on all the other rack positions.

Insert regular flat oven racks in any desired position.

30" & 36" DUAL FUEL RANGE INSTALLATION INSTRUCTIONS

7 Level the Range

Level the range and set cooktop height before installation in the cut-out opening (if applicable).

1. Install an oven rack in the center of the oven.
2. Place a level on the rack (Figure 20). Take 2 readings with the level placed diagonally in one direction and then the other.

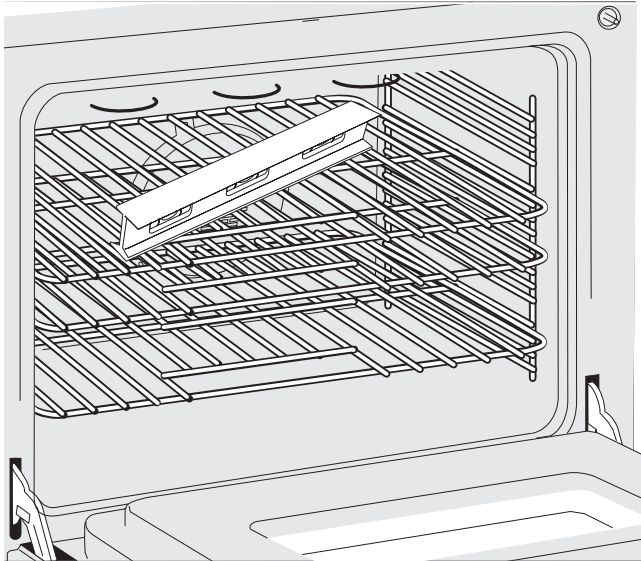


Figure 20: Use the oven racks to level appliance

3. Level the range, if necessary, by adjusting the 4 leg levelers with a wrench (Figure 21).

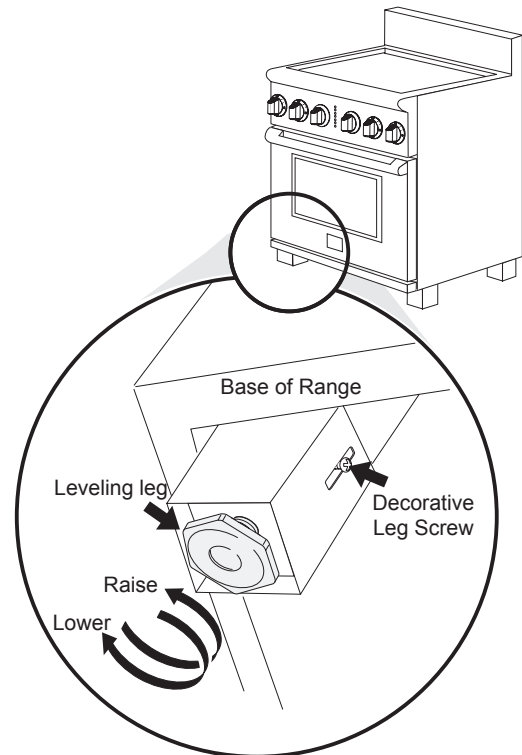


Figure 21: Adjusting appliance height

4. Slide range into cut-out opening and double check for levelness. If the range is not level, pull unit out and readjust leveling legs, or make sure floor is level.

30" & 36" DUAL FUEL RANGE INSTALLATION INSTRUCTIONS

8 Install Anti-Tip Bracket

⚠ WARNING To reduce the risk of tipping the appliance, the appliance must be secured to the floor by the properly installed anti-tip bracket and screws packed with the range. These parts are located in the oven. Failure to install the anti-tip bracket will allow the range to tip over if excessive weight is placed on an open door or if a child climbs on it. Serious injury might result from spilled hot liquids or from the range itself.

If range is ever moved to a different location, the anti-tip brackets must also be moved and installed with the range.

Tools Required:

- Adjustable Wrench
- Ratchet
- Drill & 1/8" (0.32 cm) bit
- 5/16" (0.8 cm) Nut driver
- Level

8.1 Locate the Bracket Using the Template

Bracket may be located on either the left or right side of the range. Mark the floor or wall where left or right side of the range will be located.

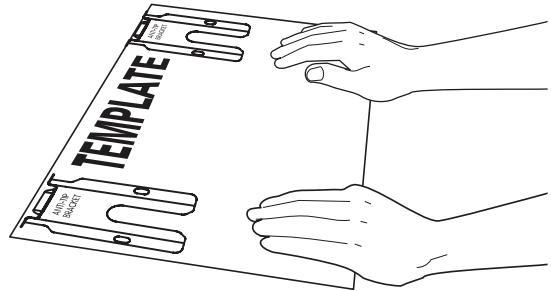


Figure 22: Bracket template

If rear of range is against the wall or no further than 1/2" (1.3 cm) from wall when installed, you may use the wall or floor mount method. If moulding is installed and does not allow the bracket to fit flush against the wall, remove moulding or mount bracket to the floor.

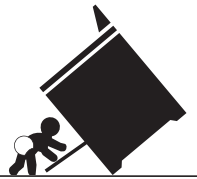
For wall mount, locate the bracket by placing the back edge of the template against the rear wall and the side edge of template on the mark made referencing the side of the range. Place bracket on top of template and mark location of the screw holes in wall.

If rear of range is further than 1/2" (1.3 cm) from the wall when installed, attach bracket to the floor. For floor mount, locate the bracket by placing back edge of the template where the rear of the range will be located.

Mark the location of the screw holes shown in template.

⚠ WARNING

Tip Over Hazard

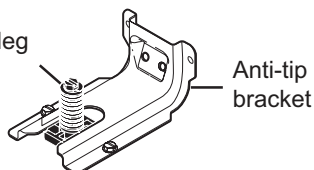


- A child or adult can tip the range and be killed.
- Verify the anti-tip device has been installed to floor or wall.

- Ensure the anti-tip device is re-engaged to floor or wall when the range is moved.
- Do not operate the range without the anti-tip device in place and engaged.
- Failure to follow these instructions can result in death or serious burns to children and adults.



Range leveling leg



Anti-tip bracket

To check if the anti-tip bracket is installed properly, use both arms to grasp the rear edge of the range back. Carefully attempt to tilt range forward. When properly installed, the range should not tilt forward.

Refer to the anti-tip bracket installation instructions supplied with your range for proper installation.

30" & 36" DUAL FUEL RANGE INSTALLATION INSTRUCTIONS

8.2 Drill Pilot Holes and Fasten Bracket

Drill a 1/8" pilot hole where screws are to be located. If bracket is to be mounted to the wall, drill pilot hole at an approximate 20° downward angle. If bracket is to be mounted to masonry or ceramic floors, drill a 3/16" (4.8 mm) pilot hole 1-3/4" deep.

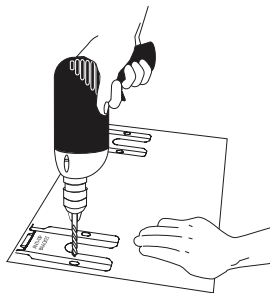


Figure 23: Drill pilot holes

The screws provided may be used in wood or concrete material. Use a 5/16" nut-driver or flat head screwdriver to secure the bracket in place.

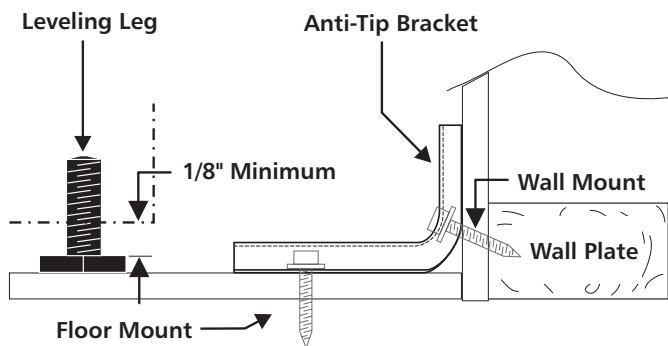


Figure 24: Fastening the bracket

8.3 Check Level and Position the Range

Check the level of the final installation. Note: A minimum clearance of 1/8" is required between the bottom of the range and the levelling leg to allow room for the bracket. Use a spirit level to check your adjustments.

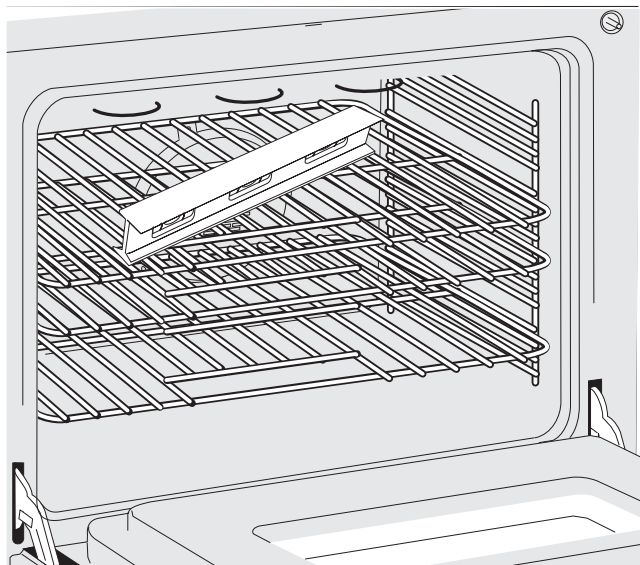


Figure 25: Use the oven racks to level appliance

Slide range into position.

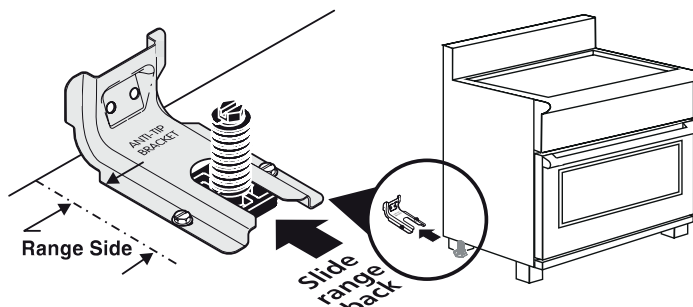


Figure 26: Slide appliance into bracket

To check if the anti-tip bracket is installed properly, use both arms and grasp the rear edge of range back. Carefully attempt to tilt range forward. When properly installed, the range should not tilt forward.

If range is moved to a different location, the anti-tip brackets must also be moved and installed with the range.

30" & 36" DUAL FUEL RANGE INSTALLATION INSTRUCTIONS

9 Install Burner Assemblies

CAUTION To prevent flare-ups use the cooktop with all burner caps properly installed.

9.1 Standard Sealed Burners

Place a burner cap on each burner head, matching the cap size to the head size.

The cap for each burner has an inner locating ring which centers the cap correctly on the burner head. Make sure each burner cap is properly aligned and level. Burners may not light or burn evenly if the burner caps are not correctly placed on the head.

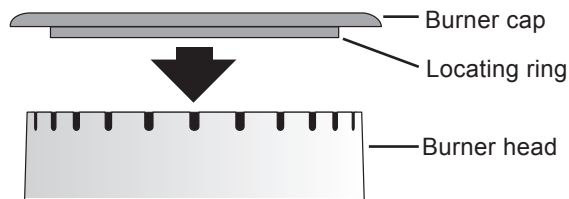


Figure 27: Burner cap assembly

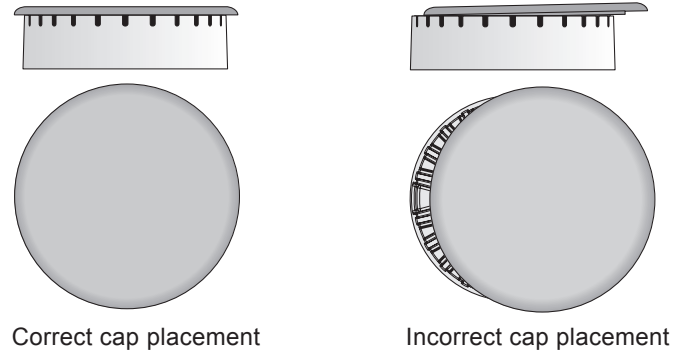


Figure 28: Burner cap placement

9.2 Specialty Burners

Install the specialty burners as shown in Figure 29.

When the burner ring is properly seated, it will click into place. When the burner cap is properly set in place it should not move out of the recessed area of the burner head.

To ignite properly, burner ring alignment tab must be fitted into the burner base alignment tab slot. Make sure burner cap and ring are secure before attempting to light the burner.

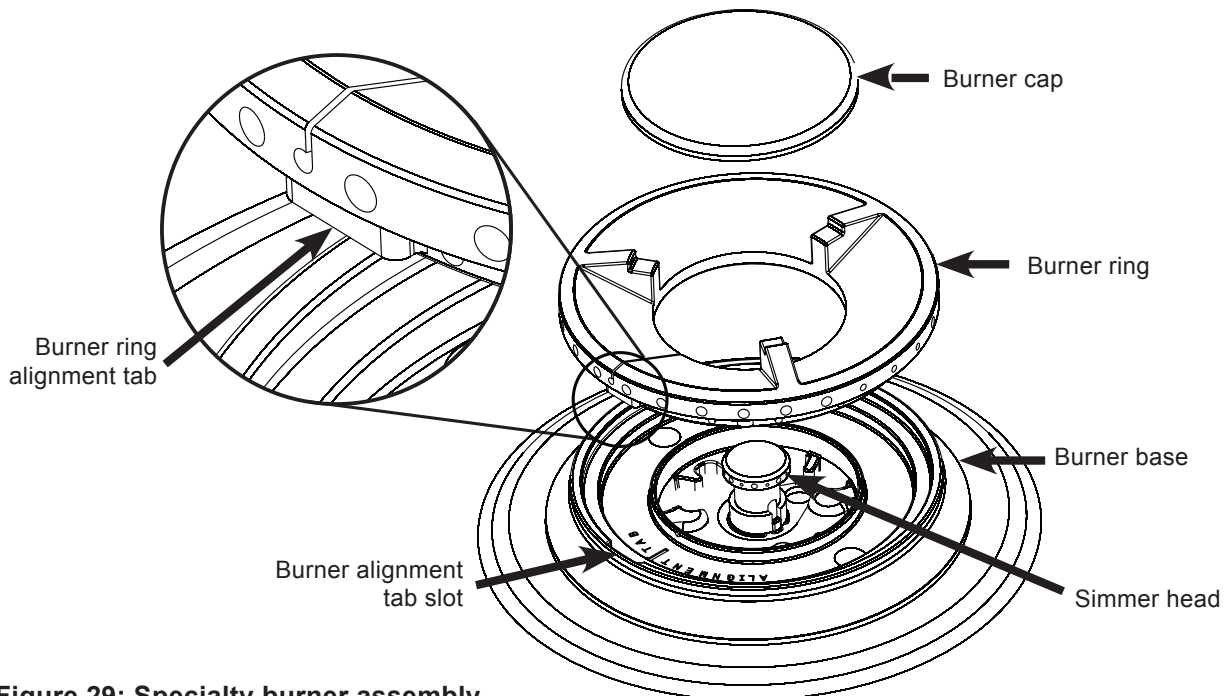


Figure 29: Specialty burner assembly

30" & 36" DUAL FUEL RANGE INSTALLATION INSTRUCTIONS

9.3 Check Ignition on Surface Burners

Operation of electric igniters should be checked after range and supply line connectors have been carefully checked for leaks and range has been connected to electric power. To check for proper lighting:

1. Push in and turn a surface burner knob to the sparking position. All electronic surface igniters will spark at the same time. Only the burner you are turning on will ignite.
2. The surface burner should light once the flow of gas reached the surface burner. Each burner should light within four (4) seconds in normal operation after air has been purged from supply lines. Visually check that burner has lit.
3. Once the burner lights, the control knob should be rotated out of the LITE position.

Turn on each of the surface burners and check to see that they light properly and that the flames are even. Adjust settings if necessary.

9.4 Adjust Low Settings on Surface Burners

To adjust the low setting of surface burners:

1. Push in and turn control to LITE until burner ignites.
2. Quickly turn knob to LOWEST POSITION.
3. If burner goes out, reset control to OFF.
4. Remove the surface burner control knob and decorative ring.
5. Insert a thin-bladed screwdriver into the hollow valve stem and engage the slotted screw inside. Flame size can be increased or decreased by turning the screw.

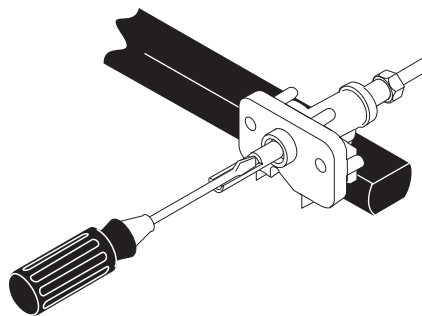


Figure 30: Turn to adjust surface flame

6. Adjust flame until you can quickly turn knob from the sparking position to the lowest flame position without extinguishing the flame. Flame should be as small as possible without going out.

Notes:

- Air mixture adjustment is not required on surface burners.
- Some models have two flames on each burner. The center flame on these burners is not adjustable.

30" & 36" DUAL FUEL RANGE INSTALLATION INSTRUCTIONS

10 Check Oven Operation

Refer to the Use and Care Guide packaged with the range for operating instructions and for care and cleaning of your range.

Remove all packaging from the oven before testing.

The oven is equipped with an electronic oven control. Each of the functions has been factory checked before shipping. However, it is suggested that you verify the operation of the electronic oven controls once more. Refer to the Owner's Guide for operation. Follow the instructions for the Clock, Timer, Bake, Broil, Convection, and Clean functions.

Bake—After setting the oven to 350°F (177°C) for baking, the floor of the oven cavity should become warm.

Broil—When the oven is set to BROIL, the upper element in the oven should become red.

Clean—When the oven is set for a self-cleaning cycle, the upper element should become red during the preheat portion of the cycle. After reaching the self-cleaning temperature, the floor of the oven cavity should become hot.

Convection—When the oven is set to CONV. BAKE/ ROAST at 350°F (177°C), both elements cycle on and off alternately and the convection fan will turn. The convection fan will stop turning when the oven door is opened during convection baking or roasting.

11 After Installation

When All Hookups are Complete

Make sure all controls are left in the OFF position.

Model and Serial Number Location

The serial plate is located on top of the range's lower front panel, and can be clearly viewed when the door is open. When ordering parts for or making inquiries about your range, have the model and serial numbers ready. (Figure 31).

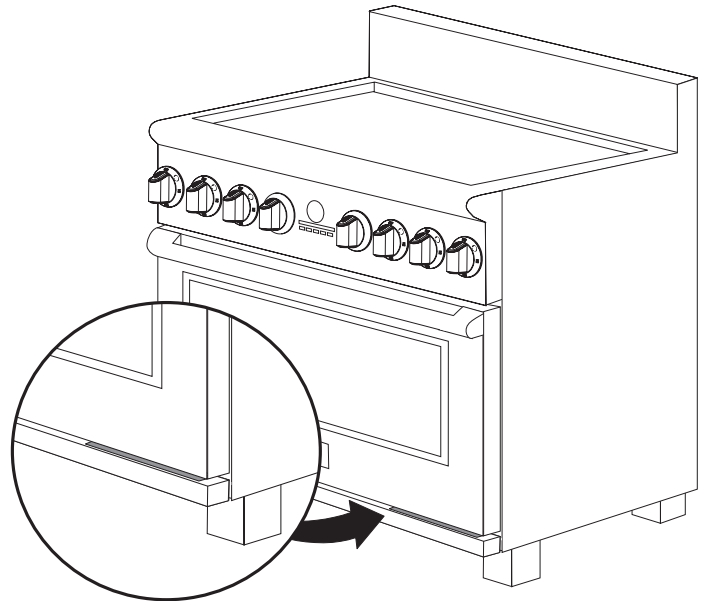


Figure 31: Model, serial number location

Before You Call for Service

Read the Avoid Service Checklist and operating instructions in your Owner's Guide. It may save you time and expense. The list includes common occurrences that are not the result of defective workmanship or materials in this appliance.

Refer to the warranty and service information in your Owner's Guide for our phone number and address. Please call or write if you have inquiries about your range product and/or need to order parts.

INSTRUCCIONES DE INSTALACIÓN

ESTUFA DE COMBUSTIBLE DUAL DE 30" Y 36"

LA INSTALACIÓN Y SERVICIO DEBERÁN SER REALIZADOS POR UN INSTALADOR CUALIFICADO.

IMPORTANTE: GUARDE ESTE DOCUMENTO PARA USO DEL INSPECTOR ELÉCTRICO. LEA Y GUARDE ESTAS INSTRUCCIONES PARA FUTURAS CONSULTAS.

⚠ ADVERTENCIA POR SU SEGURIDAD: No guarde ni use gasolina ni otros vapores o líquidos inflamables cerca de éste o de cualquier otro aparato.



Contenido

Instrucciones importantes para la seguridad.....	20-22	Conecte el suministro de combustible.....	28
Dimensiones del producto.....	23	Instale las rejillas de horno.....	29-30
Dimensiones del armario.....	24	Nivele la estufa.....	31
Construcción del armario.....	25	Instale el soporte antivuelco.....	32-33
Requisitos eléctricos.....	25	Instale los conjuntos de quemador.....	34-35
Cable de la fuente de alimentación.....	26	Compruebe el funcionamiento del horno.....	36
Requisitos del suministro de combustible.....	27	Después de la instalación.....	36
		Ubicación de la placa de serie (número de modelo y de serie).....	36

Notas importantes para el instalador

1. Lea todas las instrucciones contenidas en estas instrucciones de instalación antes de instalar la estufa.
2. Retire todos los materiales de embalaje del horno y de los compartimentos de cajón antes de conectar el suministro eléctrico a la estufa.
3. Deberá instalarse el soporte antivuelco suministrado con el aparato.
4. Observe toda la normativa vigente.
5. Asegúrese de entregar estas instrucciones al consumidor.

Nota importante para el consumidor

1. Conserve estas instrucciones con la guía del propietario para futuras consultas.
2. Al utilizar cualquier aparato que genere calor hay algunas precauciones que deberá seguir. Estas precauciones se detallan en su manual de uso y cuidados. Lea atentamente su manual.
3. Asegúrese de que su dispositivo sea instalado y conectado a tierra por un instalador cualificado o técnico de servicio.

INSTRUCCIONES DE INSTALACIÓN DE ESTUFA DE COMBUSTIBLE DUAL DE 30" Y 36"

INSTRUCCIONES DE SEGURIDAD IMPORTANTES

Este dispositivo deberá ser instalado, conectado a tierra y sujeto a tareas de servicio por un instalador o técnico de servicio cualificado.

Este manual contiene instrucciones y símbolos importantes para su seguridad. Por lo que se recomienda prestar atención a los símbolos y seguir todas las instrucciones indicadas en el mismo. No trate de instalar ni hacer funcionar su producto antes de leer las precauciones de seguridad de este manual. Las indicaciones de seguridad en este manual llevan un símbolo de ADVERTENCIA o PRECAUCIÓN en función del tipo de riesgo.

Las advertencias e instrucciones importantes que aparecen en esta guía no pretenden cubrir todas las situaciones posibles que pueden producirse. Utilice el sentido común, la precaución y el cuidado al instalar, mantener o hacer funcionar su producto.

⚠ Este es el símbolo de alerta de seguridad. Se usa para alertar sobre peligros potenciales de lesiones personales. Obedezca todos los mensajes de seguridad que tengan este símbolo para evitar posibles lesiones o la muerte.

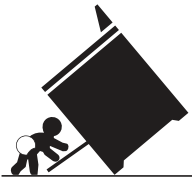
⚠ ADVERTENCIA Indica una situación potencialmente peligrosa que, si no se evita, podría causar lesiones graves o la muerte.

⚠ ATENCIÓN Indica una situación potencialmente peligrosa que, si no se evita, podría causar lesiones personales leves o moderadas.

IMPORTANTE: Indica información importante, de instalación, de funcionamiento o de mantenimiento que no está relacionada con situaciones de peligro.

⚠ ADVERTENCIA

Riesgo de volcamiento

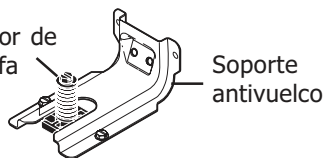


- Un niño o adulto puede volcar la estufa y acabar muerto.
- Verifique que se haya instalado el dispositivo antivuelco en el piso o en la pared.

- Asegúrese de que el dispositivo antivuelco se haya reacomplado cuando mueva la estufa sobre el piso o a la pared.
- No utilice la estufa sin el dispositivo antivuelco instalado y acoplado.
- Si no se siguen estas instrucciones, se puede provocar la muerte o quemaduras graves en niños y adultos.



Tornillo nivelador de la estufa



Soporte antivuelco

Para verificar si el soporte antivuelco está instalado correctamente, sostenga el borde trasero de la parte trasera de la estufa usando ambos brazos. Intente inclinar la estufa hacia adelante con cuidado. Si está instalada correctamente, la estufa no debería inclinarse hacia adelante.

Consulte las instrucciones de instalación del soporte antivuelco proporcionadas con la estufa para instalarlo adecuadamente.

⚠ ADVERTENCIA Si no se sigue exactamente la información contenida en este manual podría ocurrir un incendio o explosión causando daños materiales, lesiones o muerte.

POR SU SEGURIDAD:

- No almacene ni utilice gasolina ni otros vapores o líquidos inflamables cerca de este o algún otro electrodoméstico.
- QUÉ HACER SI HUELE A GAS:
 - No encienda ningún electrodoméstico.
 - No toque ningún interruptor eléctrico; no utilice ningún teléfono de la casa.
 - Llame inmediatamente a la empresa de suministro de gas desde el teléfono de un vecino. Siga las instrucciones de la empresa de suministro.
 - Si no puede ponerse en contacto con la empresa de suministro de gas, llame a los bomberos.
- Las operaciones de instalación y servicio técnico debe realizarlas un instalador o proveedor de servicios cualificado o la empresa suministradora de gas.

INSTRUCCIONES DE INSTALACIÓN DE ESTUFA DE COMBUSTIBLE DUAL DE 30" Y 36"

⚠ ADVERTENCIA

- **Peligro de peso excesivo:** Son necesarias dos o más personas para mover e instalar la estufa. No seguir esta instrucción puede provocar lesiones de espalda o de otro tipo.
- **Almacenamiento dentro o sobre el electrodoméstico:** No deben almacenarse materiales inflamables en el interior de un horno o microonda, cerca de los elementos o resistencias de la superficie ni en el cajón de almacenamiento o del calentador (en su caso). Esto incluye artículos de papel, plástico y tela, tales como libros de cocina, objetos de plástico y toallas, así como líquidos inflamables. No guarde explosivos, como latas de productos en aerosol, sobre o cerca del aparato.
- **No deje a los niños solos y desatendidos:** Los niños deben estar siempre acompañados y atendidos por un adulto cuando haya un electrodoméstico en uso. Nunca permita que los niños se sienten o se paren sobre ninguna pieza del electrodoméstico, incluyendo el cajón de almacenamiento, el cajón asador inferior, el cajón calentador o el horno doble inferior.
- No guarde artículos que les interesen a los niños en los armarios situados sobre el aparato ni en el protector trasero. Si los niños se suben al aparato para alcanzar dichos artículos podrían sufrir lesiones graves.
- Pararse, apoyarse o sentarse en la puerta o los cajones de este aparato puede causar lesiones graves y además dañar el electrodoméstico.
- No utilice el horno ni el cajón calentador (en su caso) para guardar objetos.
- No utilice nunca este dispositivo como calentador ambiental para calentar la sala. Esto podría tener como consecuencia envenenamiento por monóxido de carbono y sobrecalentamiento del aparato.
- No guarde ni use gasolina ni otros vapores o líquidos inflamables cerca de éste o de cualquier otro aparato.
- No se utilizarán usar cortinas de aire ni cualquier otra campana de ventilación superior que sople aire hacia abajo sobre la estufa o cubierta en conjunción con cubiertas o estufas de gas a menos que la campana de ventilación, la estufa y la cubierta hayan sido diseñadas, probadas y certificadas por un laboratorio de pruebas independiente para usarse de forma combinada.

- Las temperaturas bajas pueden dañar el control electrónico. Cuando use el electrodoméstico por primera vez, o cuando este no se haya usado por un período largo de tiempo, asegúrese de que la unidad esté en temperaturas superiores a los 32 °F (0 °C) durante al menos 3 horas antes de encenderla.
- Nunca modifique o altere la construcción del dispositivo retirando patas de nivelación, paneles, cubiertas de cables y abrazaderas antivuelco/tornillos u otras partes del dispositivo.
- Instalación correcta—Asegúrese de que su dispositivo sea instalado y conectado a tierra por un técnico cualificado. En Estados Unidos, instale el producto de conformidad con el National Fuel Gas Code ANSI Z223.1/NPFA No. 54, última edición y el National Electrical Code NFPA No. 70 última edición y cumpla todos los códigos eléctricos locales. En Canadá, este artefacto debe instalarse según CAN/CGA B149.1 y CAN/CGA B149.2 y la norma CSA Standard C22.1, Código Canadiense de Electricidad (Canadian Electrical Code), Parte 1, y los códigos eléctricos locales. Instale el artefacto siguiendo exclusivamente las instrucciones de instalación proporcionadas en la documentación de este dispositivo.
- La instalación de dispositivos diseñados para su instalación en hogares prefabricados (móviles) debe ser conforme a la norma Manufactured Home Construction and Safety Standard, título 24CFR, parte 3280 [antes Federal Standard for Mobile Home Construction and Safety, título 24, HUD (parte 280)] o, si dicha norma no es aplicable, la norma Standard for Manufactured Home Installation 1982 (Manufactured Home Sites, Communities and Setups), ANSI Z225.1/NFPA 501A-última versión, o los códigos locales en Estados Unidos y CAN/CSA-Z240 MH en Canadá.
- Antes de instalar la estufa en un área con suelo de linóleo u otro recubrimiento sintético, asegúrese de que el recubrimiento del suelo pueda soportar temperaturas de al menos 90°F (32,2°C) por encima de la temperatura ambiente sin encoger, deformarse o decolorarse. No instale la estufa sobre moqueta sin colocar una lámina de madera contrachapada de ¼" (0,64 cm) de grosor entre la estufa y la moqueta.
- Asegúrese de que el recubrimiento de las paredes y los materiales de los armarios que rodean la estufa puedan soportar el calor generado por el aparato.
- Para eliminar riesgo de quemaduras o incendio por contacto con las unidades de la superficie caliente, deberá evitarse el espacio de almacenamiento en armarios sobre la superficie. Si es necesario disponer de almacenamiento en armarios, es posible reducir el riesgo instalando una campana de estufa que se proyecte horizontalmente al menos 5 pulgadas más allá de la parte inferior del armario.
- No obstruya la circulación de aire en el respiradero del horno, alrededor de la base o bajo el panel frontal inferior del aparato. Este dispositivo necesita aire fresco para funcionar correctamente.
- Asegúrese de que haya un extintor de espuma adecuado disponible, ubicado de manera visible y fácilmente accesible cerca del electrodoméstico.

INSTRUCCIONES IMPORTANTES PARA DESEMPACADO E INSTALACIÓN

Lea y siga las siguientes instrucciones y precauciones a la hora de desempacar, instalar y realizar el mantenimiento del electrodoméstico:

- Destruya la caja de cartón y las bolsas de plástico después de desempacar el producto. Nunca deje que los niños jueguen con el material de empaque. No quite la etiqueta de cableado ni otra información adherida al dispositivo. No quite la placa de número de modelo/serie.

INSTRUCCIONES DE INSTALACIÓN DE ESTUFA DE COMBUSTIBLE DUAL DE 30" Y 36"

INSTRUCCIONES ESPECIALES PARA ELECTRODOMÉSTICOS INSTALADOS EN EL ESTADO DE MASSACHUSETTS

Este electrodoméstico solo puede ser instalado en el Estado de Massachusetts por un fontanero o instalador de gas con licencia de Massachusetts. Al utilizar un conector de gas flexible, no deberá superar los 3 pies (36 pulgadas) de longitud. Deberá instalarse una válvula manual de gas con manija tipo "T" en la línea de suministro de gas al dispositivo.

CONVERSIÓN A GAS LP

Este electrodoméstico permite la conversión a gas de petróleo licuado (LP).

⚠ ADVERTENCIA Si la conversión a gas licuado no es realizada por un instalador o un electricista calificado existen riesgos de lesiones personales o la muerte por choque eléctrico. Las adiciones, cambios o conversiones necesarios para que esta estufa cumpla satisfactoriamente con sus requisitos de funcionamiento deben ser realizados por un técnico de servicio.

Si necesita realizar una conversión a gas LP, llame a su distribuidor local de gas LP para obtener asistencia. El kit de conversión a gas LP se incluye con este electrodoméstico y se encuentra en el panel inferior trasero (parte trasera) de la estufa. Antes de instalar el kit, asegúrese de leer atentamente las instrucciones de instalación de LP y seguirlas cuidadosamente al realizar la instalación.

INSTRUCCIONES IMPORTANTES PARA SERVICIO Y MANTENIMIENTO

- No repare ni cambie ninguna pieza del aparato que no esté específicamente indicada en los manuales. Todas las restantes tareas de servicio deberán ser realizadas exclusivamente por un técnico cualificado. Esto reduce el riesgo de lesiones personales y daños en el aparato.
- Póngase siempre en contacto con su distribuidor, concesionario, agente de servicio o fabricante en relación con cualquier problema o circunstancia que no comprenda.
- Pida a su distribuidor que le recomiende un técnico cualificado y un servicio de reparación autorizado. Aprenda a desconectar la corriente del aparato y el disyuntor o caja de fusibles en caso de emergencia.
- Retire la puerta del horno no utilizado que vaya a tirar o guardar.
- No toque la bombilla de luz del horno caliente con un paño húmedo. Esto podría provocar la rotura de la bombilla. Manipule las bombillas halógenas (en su caso) con un paño de papel o guantes suaves. Desconecte el aparato o apague la alimentación del aparato antes de quitar y cambiar la bombilla.

INSTRUCCIONES DE INSTALACIÓN DE ESTUFA DE COMBUSTIBLE DUAL DE 30" Y 36"

Dimensiones del producto

⚠ ADVERTENCIA No instale la unidad en el armario antes de leer las dos páginas siguientes.

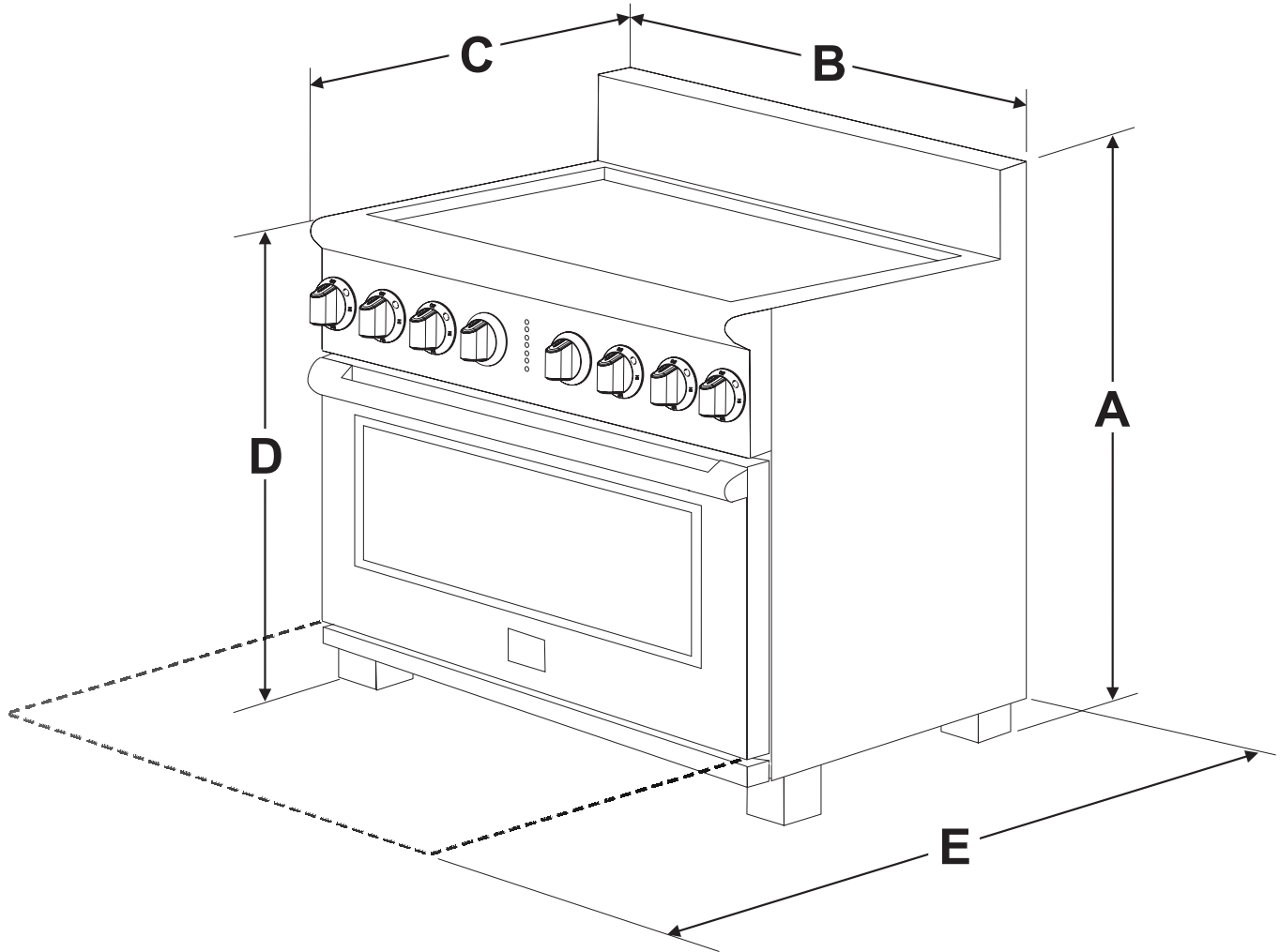


Figura 1: Dimensiones del producto

MODELO	A. ALTO	B. ANCHO	C. FONDO EN EL FRONTAL DE LA ESTUFA	D. ALTURA DE LA CUBIERTA	E. FONDO CON LA PUERTA ABIERTA
30"	41 5/8" (105,7 cm) Mín.	29 7/8" (75,9 cm)	27 1/2" (69,9cm)	35 3/4" (90,8 cm) Mín.	46 1/4" (117,5 cm)
36"	42 5/8" (108,3 cm) Máx.	35 7/8" (91,1 cm)		36 3/4" (93,3 cm) Máx.	48 3/8" (122,9 cm)

INSTRUCCIONES DE INSTALACIÓN DE ESTUFA DE COMBUSTIBLE DUAL DE 30" Y 36"

Dimensiones del armario

Separaciones y dimensiones

- Deje una separación adecuada entre el electrodoméstico y las superficies combustibles adyacentes.
- Ubicación: compruebe la ubicación en la que se instalará el electrodoméstico. Compruebe que la alimentación eléctrica y la estabilidad del suelo sean adecuadas.
- Deberán utilizarse las dimensiones indicadas. Las dimensiones indicadas ofrecen una separación mínima. La superficie de contacto deberá ser sólida y nivelada.

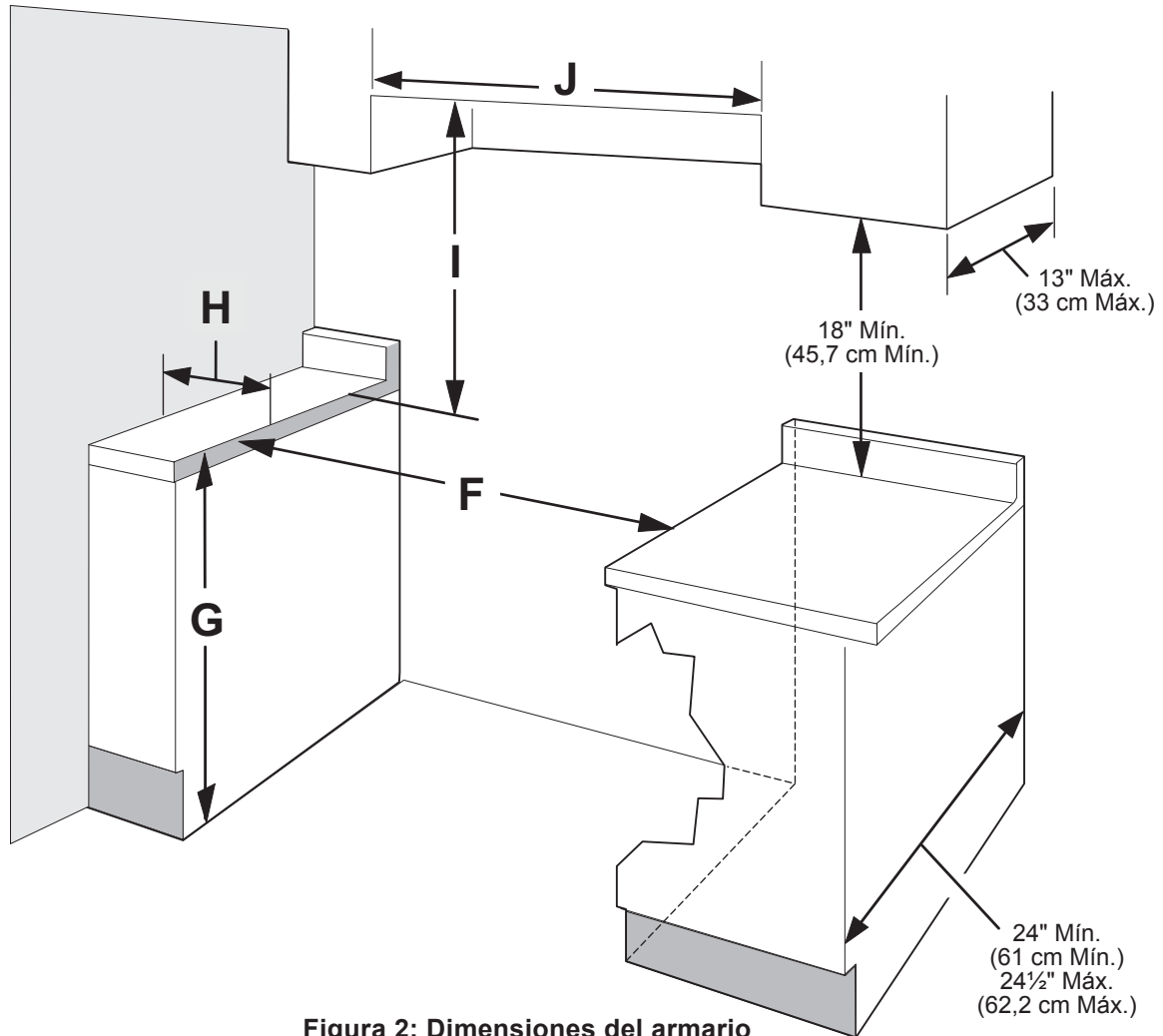


Figura 2: Dimensiones del armario

MODELO	F. ANCHO MÍNIMO DEL RECORTE	G. ALTURA DEL MOSTRADOR	H. SEPARACIÓN DESDE LAS PAREDES LATERALES ²	I. SEPARACIÓN DESDE LA CUBIERTA Y LA PARTE INFERIOR DEL ARMARIO ³	J. ANCHO DE SEPARACIÓN DE LOS ARMARIOS SUPERIORES
30"	30 1/16" (76,4 cm)	36" (91,4 cm) Estándar	5" (12,7 cm) Mín.	30" (76,2 cm) Mín.	30" (76,2 cm) Mín.
36"	36 1/16" (91,6 cm)	35 3/4" (90,8 cm) Mín.	7" (17,8 cm) Mín.	36" (91,4 cm) Mín.	36" (91,4 cm) Mín.

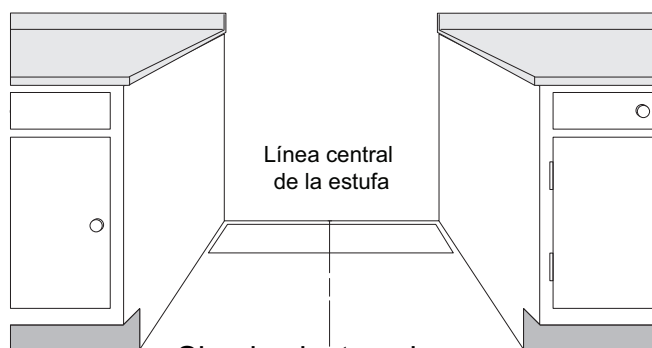
NOTAS:

1. No selle la estufa a los armarios laterales.
2. Separación de las paredes adyacentes u otras superficies o estructuras verticales, como armarios.
3. Las mediciones indicadas son la separación mínima entre la cubierta y la parte inferior del armario.
4. 0" de separación entre la estufa y los armarios o superficies verticales por debajo de la altura de la cubierta.
5. 0" de separación entre la parte posterior de la estufa y la pared o armario.

INSTRUCCIONES DE INSTALACIÓN DE ESTUFA DE COMBUSTIBLE DUAL DE 30" Y 36"

1 Construcción del armario

⚠ ATENCIÓN Para eliminar riesgo de quemaduras o incendio por contacto con las unidades de la superficie caliente, no deje espacio de almacenamiento en armarios sobre la estufa. Si hay espacio de almacenamiento en armarios sobre la estufa, reduzca el riesgo instalando una campana de estufa que se proyecte horizontalmente al menos 5 pulgadas /12,7 cm más allá de la parte inferior del armario.



Siga las instrucciones correspondientes a su tipo de instalación

Figura 3: Construcción del armario

1.1 Instalación: Armario a ambos lados

1. Si la estufa va a instalarse con armario a ambos lados, dibuje una línea central en el suelo entre los armarios (Figura 5).
2. Si la parte posterior de la estufa no queda al nivel de la pared (la ubicación de la toma de corriente puede no permitir que la estufa se coloque contra la pared), dibuje una línea en el suelo donde estará el borde posterior de la estufa.
3. Instale soportes antivuelco (ver "Instalación del soporte antivuelco").

1.2 Instalación: Armario solo a un lado

1. Si va a instalar la estufa con armario solo a un lado, mueva la estufa a su posición final.
2. Dibuje una línea en el suelo por el lateral de la estufa que no queda junto al armario. Si la parte posterior de la estufa no queda al nivel de la pared (la ubicación de la toma de corriente puede no permitir que la estufa se coloque contra la pared), dibuje una línea en el suelo donde estará el borde posterior de la estufa.
3. Instale soportes antivuelco (ver "Instalación del soporte antivuelco").

1.3 Instalación: Sin armario

1. Si la estufa no va a instalarse junto a un armario, mueva la estufa a su posición final.
2. Haga una marca en el suelo a ambos lados de la estufa. Si la parte posterior de la estufa no queda al nivel de la pared (la ubicación de la toma de corriente puede no permitir que la estufa se coloque

contra la pared), dibuje una línea en el suelo donde estará el borde posterior de la estufa.

3. Instale soportes antivuelco (ver "Instalación del soporte antivuelco").

2 Requisitos eléctricos

⚠ ADVERTENCIA

Peligro de descarga eléctrica –Este aparato precisa conexión a tierra. Utilice solo el cable de alimentación suministrado con el electrodoméstico. Una conexión o toma de tierra inadecuada puede provocar descargas eléctricas, daños en el electrodoméstico, lesiones personales, fuego o la muerte.


Requisitos de puesta a tierra

Este dispositivo deberá ser instalado y conectado a tierra por un técnico de servicio cualificado.

En Estados Unidos, instale el producto de conformidad con el National Fuel Gas Code ANSI Z223.1/NPFA No. 54, última edición y el National Electrical Code NFPA No. 70 última edición y cumpla todos los códigos eléctricos locales. En Canadá, este artefacto debe instalarse según CAN/CGA B149.1 y CAN/CGA B149.2 y la norma CSA Standard C22.1, Código Canadiense de Electricidad (Canadian Electrical Code), Parte 1, y los códigos eléctricos locales.

Para su seguridad personal, este electrodoméstico debe estar debidamente puesto a tierra. Para una máxima seguridad, el cable de alimentación debe estar enchufado a un tomacorriente del voltaje adecuado, que esté correctamente polarizado y debidamente puesto a tierra de acuerdo con los códigos locales. Es responsabilidad personal del consumidor hacer que un electricista calificado instale un tomacorriente adecuado con un receptáculo de pared debidamente puesto a tierra.

Este dispositivo está previsto para conectarse a un tomacorriente estándar 14-50R.

Tomacorriente eléctrico	
	Se requiere para todas las instalaciones Tomacorriente de cuatro cables (14-50R)

Si solo se dispone de corriente eléctrica CA de 4 cables monofásica de 240 voltios y 60 Hz, este dispositivo necesitará protección de circuitos con fusibles de un mínimo de 40 amperios en ambos lados del cable.

Se recomienda un disyuntor o fusible de retardo.

Asegúrese de que el tomacorriente esté al alcance de la ubicación final del aparato.

No pellizque el cable de alimentación eléctrica entre la estufa y la pared.

INSTRUCCIONES DE INSTALACIÓN DE ESTUFA DE COMBUSTIBLE DUAL DE 30" Y 36"

Ubicaciones recomendadas para la instalación de tomacorrientes

La ubicación sugerida para la tomacorriente se muestra en la Figura 4 para modelos de 30" y en la Figura 5 para modelos de 36". La toma también puede estar en la esquina inferior izquierda del armario adyacente a la derecha, según se muestra en la Figura 6

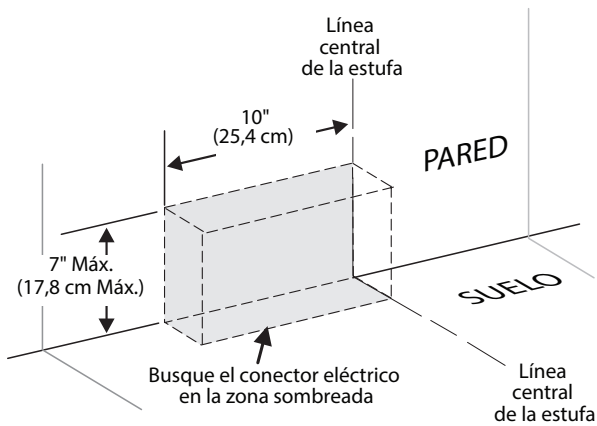


Figura 4: Ubicación de la toma en modelos de 30"

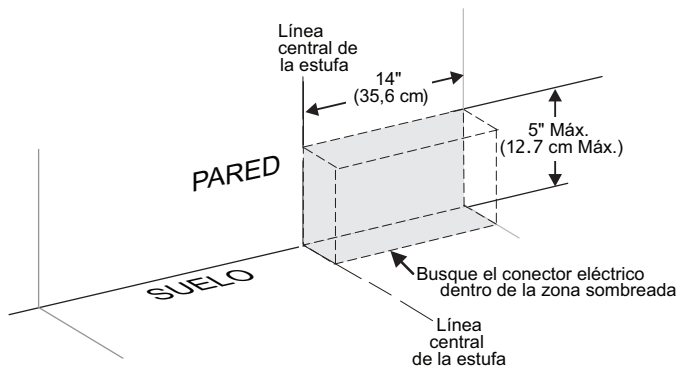


Figura 5: Ubicación de la toma en modelos de 36"

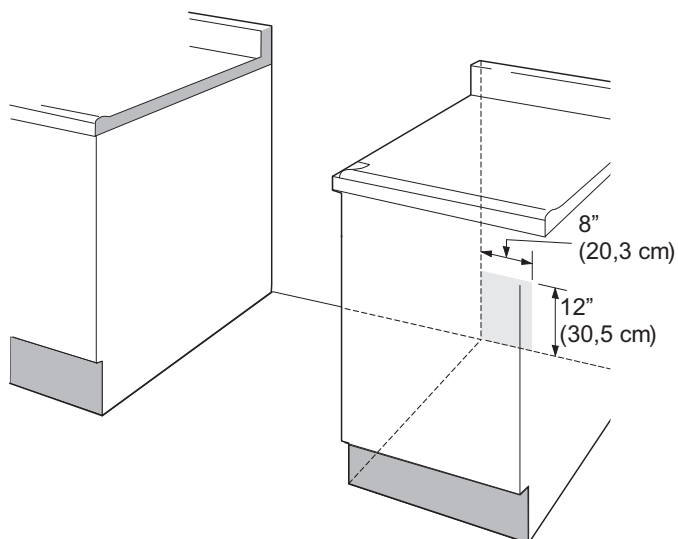


Figura 6: Ubicación de la toma en el armario adyacente

3 Cable de la fuente de alimentación

⚠ ADVERTENCIA

Peligro de descarga eléctrica –No trate de instalar el dispositivo directamente a una caja de empalme, modificar el cable instalado de fábrica ni conectar al aparato un cable de alimentación distinto. Si la toma de corriente no es suficiente para soportar los requisitos de este electrodoméstico, es responsabilidad del consumidor solicitar la instalación de una toma adecuada por un electricista. Una instalación o conexión eléctrica inadecuada puede provocar descargas eléctricas, daños en el electrodoméstico, lesiones personales, fuego o la muerte.

Este dispositivo está equipado con un cable de fuente de alimentación de cuatro hilos conectado de fábrica (Figura 7). Este cable tiene una capacidad nominal de 240 voltios, 40 amperios y una temperatura nominal de 194°F (90°C). Este cable está homologado por UL/CSA y ha sido comprobado y autorizado para su uso con este dispositivo.

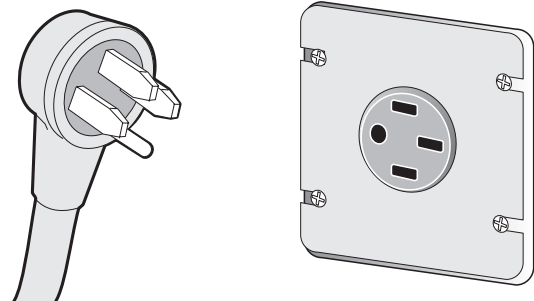


Figura 7: Cable de alimentación eléctrica conectado de fábrica

Potencia nominal del electrodoméstico*	Potencia nominal de la fuente de alimentación	Amperios
120/240 Voltios	120/208 Voltios	
1-10 kW	0-7.6 kW	30
8,8-16,5 kW	7,8-12,5 kW	40 o 50
16,6-22,5 kW	12,6-18,5 kW	50

* La carga NEC calculada es inferior a la carga conectada total indicada en la placa del número de serie.

INSTRUCCIONES DE INSTALACIÓN DE ESTUFA DE COMBUSTIBLE DUAL DE 30" Y 36"

4 Requisitos del suministro de combustible

Esta unidad está diseñada para operar con columna de agua de 4" (10,16 cm) con presión de colector de gas natural de (1,0 kPa).

Un regulador de presión convertible se conecta al colector de la estufa y DEBERÁ estar conectado en serie con la línea de suministro de gas. El regulador está ubicado según se muestra en la Figura 8 y es accesible desde la parte inferior de la estufa.

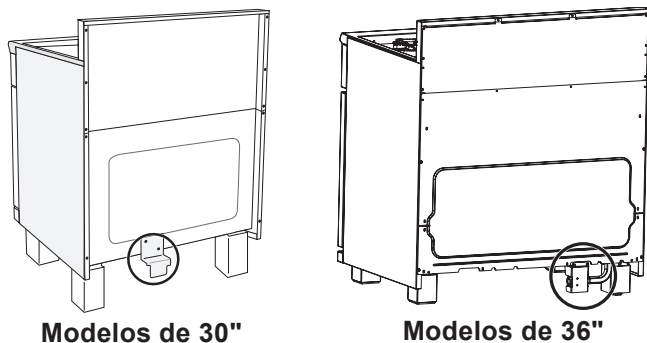


Figura 8: Ubicaciones del regulador

Para un adecuado funcionamiento, la presión máxima de entrada al regulador deberá ser no superior a 14" (35,56 cm) de columna de presión de agua (3,5 kPa).

La presión de entrada del regulador deberá ser al menos 1" (0,25 kPa) mayor que el ajuste de presión del colector regulador. El regulador está ajustado para columna de agua de 4" (10,16 cm) de presión de colector de gas natural (1,0 kPa); la presión de entrada deberá ser al menos de columna de agua de 5" (12,60 cm) de gas natural (1,25 kPa).

Para funcionar a 2000 pies sobre el nivel del mar, el ajuste nominal del aparato se reduce en un 4 por ciento cada 1000 pies adicionales.

4.1 Ubicación del suministro de gas

Los tubos de suministro de gas se encuentran en la pared lateral del armario de la derecha. El armario

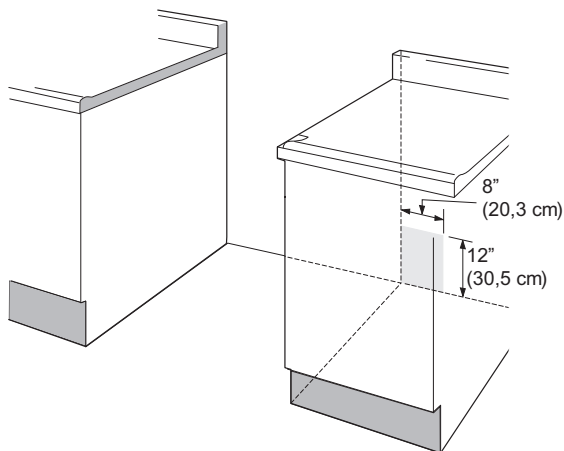


Figura 9: Ubicación recomendada del suministro de gas

del lado derecho es la ubicación ideal para la válvula principal de cierre, si la estufa se instaló dentro del espacio de almacenamiento del armario.

4.2 Válvula de cierre

La línea de suministro deberá estar equipada con una válvula de cierre homologada según se muestra en la Figura 10. Esta válvula deberá estar ubicada en la misma habitación que la estufa y deberá estar en una ubicación que facilite su apertura y cierre. No bloquee el acceso a la válvula de cierre. La válvula sirve para abrir o cerrar el gas que llega al aparato.

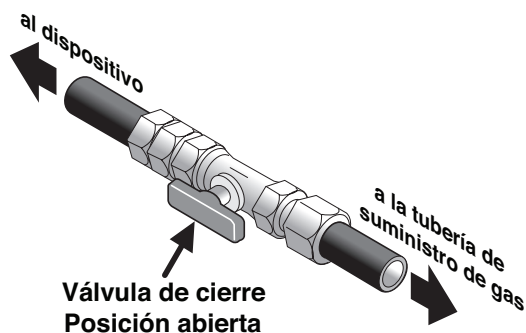


Figura 10: Válvula de cierre

El suministro de gas entre la válvula de cierre y el regulador puede estar conectado mediante tubo rígido o mediante tubería metálica flexible conectada mediante uniones con homologación A.G.A./C.G.A. cuando los códigos locales permitan su uso.

El usuario deberá conocer la ubicación de la válvula principal de cierre y tener fácil acceso a ella.

4.3 Conversión a gas de petróleo licuado (L.P.) Gas.

Este electrodoméstico permite la conversión a petróleo licuado (LP). Gas.

⚠ ADVERTENCIA Si la conversión a gas licuado no es realizada por un instalador o un electricista calificado existen riesgos de lesiones personales o la muerte por choque eléctrico. Las adiciones, cambios o conversiones necesarios para que esta estufa cumpla satisfactoriamente con sus requisitos de funcionamiento deben ser realizados por un técnico de servicio.

Si necesita realizar una conversión a gas LP, llame a su distribuidor local de gas L.P. para obtener asistencia. El kit de conversión a gas LP se incluye con este electrodoméstico y se encuentra en el panel inferior trasero (parte trasera) de la estufa. Antes de instalar el kit, asegúrese de leer atentamente las instrucciones de instalación de L.P. y seguirlas cuidadosamente al realizar la instalación.

Para LP/gas propano, el regulador deberá estar ajustado para columna de agua de 10" (25,4 cm) de presión de colector (2,5 kPa); la presión de entrada deberá ser al menos de columna de agua de 11" (27,9 cm) (2,75 kPa).

INSTRUCCIONES DE INSTALACIÓN DE ESTUFA DE COMBUSTIBLE DUAL DE 30" Y 36"

5 Conecte el suministro de combustible

5.1 Conexión del suministro de combustible

⚠ ADVERTENCIA Este dispositivo deberá ser instalado, conectado a tierra y sujeto a tareas de servicio por un instalador o técnico de servicio cualificado.

⚠ ATENCIÓN No apriete demasiado las conexiones. El regulador es de vaciado. Apretar excesivamente puede crear grietas en el regulador, lo que puede suponer pérdida de gas y potencialmente fuego o explosión.

Este aparato incluye un regulador. La línea de suministro de gas precisa las siguientes piezas que no se suministran con el aparato:

- Válvula de cierre manual
- Racores de 1/2" (2)
- Adaptador de unión abocinada de 1/2" (2)
- Conector flexible

La línea de suministro de gas a la válvula de cierre deberá ser de tubo sólido de 1/2" (1,27 cm) o 3/4" (1,9 cm).

Instale el tubo de suministro de gas al regulador de presión en el orden indicado en la Figura 11. Todas las conexiones deberán apretarse con llave inglesa.

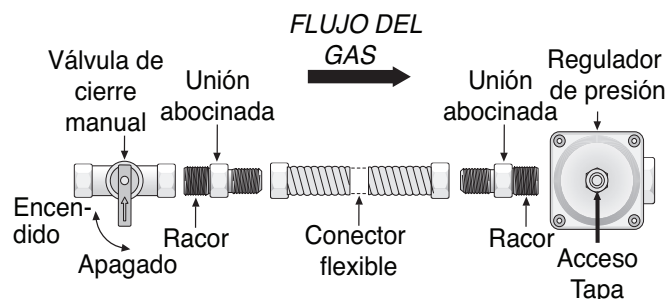


Figura 11: Flujo de conexión del suministro de combustible

Al utilizar conducto de gas flexible en la estufa, déjelo lo suficientemente flojo como para sacar la estufa fuera del recorte para tareas de limpieza o servicio.

Utilice un compuesto para juntas de tubería para uso con gas natural y LP/propano para sellar todas las conexiones de gas. Si se utilizan conectores flexibles, asegúrese de que los conectores no dañados.

No permita que el conducto flexible quede pinzado entre la pared y la estufa.

5.2 Comprobar si hay pérdidas

⚠ ADVERTENCIA No utilice llama para comprobar si hay pérdidas en las conexiones de gas. Comprobar la existencia de pérdidas con llama puede provocar fuego o explosión.

Después de conectar la estufa al suministro de gas, compruebe si hay pérdidas en el sistema con un manómetro. Si no dispone de manómetro, abra el suministro de gas y utilice un detector de pérdidas de líquidos (o agua y jabón) en todas las juntas y conexiones para comprobar si hay pérdidas. Las pérdidas se indicarán mediante la aparición de burbujas en las conexiones o juntas.

Deberán sellarse todas las aperturas en la pared o suelo donde esté instalada la estufa.

1. Apriete todas las conexiones si es necesario para evitar la pérdida de gas en la estufa o línea de suministro.
2. Desconecte esta estufa y su válvula de cierre individual del sistema de tuberías de suministro de gas durante las pruebas de comprobación del sistema a presiones de prueba superiores a 1/2 psig (columna de agua de 3,5 kPa o 14" (35,56 cm)).
3. Aísle la estufa del sistema de tuberías de suministro de gas cerrando la válvula manual de cierre individual durante las pruebas del sistema de tuberías de suministro de gas a presiones iguales o inferiores a 1/2 psig (columna de agua de 3,5 kPa o 14" (35,56 cm)).

INSTRUCCIONES DE INSTALACIÓN DE ESTUFA DE COMBUSTIBLE DUAL DE 30" Y 36"

6 Instale las rejillas de horno

6.1 Modelos de 30" - Soportes de rejilla en escalera

Para ayudar en la instalación de los soportes de rejillas de horno de porcelana, aplique una ligera capa de aceite de cocinar a todos los extremos de los soportes según se muestra en la Figura 12.

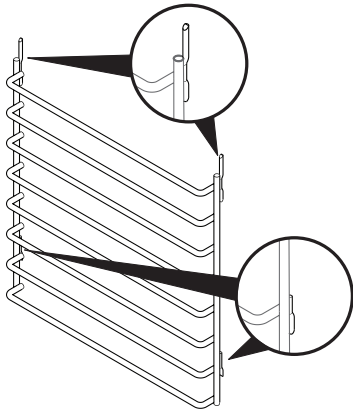


Figura 12: Soportes de rejilla de escalera - áreas con aceite

1. Mantenga el soporte de rejillas de horno con un pequeño ángulo e inserte los extremos en los orificios de la parte superior de la cavidad del horno (Figura 13).
2. Introduzca la rejilla en los orificios superiores, alineando los extremos inferiores con los orificios de la parte de abajo (Figura 13).

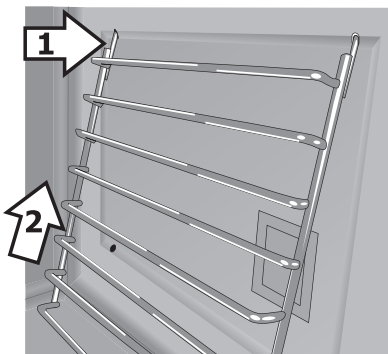


Figura 13: Soportes de rejilla de escalera - extremos superiores

3. Una vez colocados los extremos superiores, mantenga el soporte de rejillas al nivel del lateral del horno e inserte los extremos inferiores en los orificios de la parte de abajo (Figura 14).
4. Deslice los extremos inferiores en los orificios de la parte de abajo. Es posible que precise hacer algo de fuerza para ajustar la rejilla en su sitio (Figura 14).

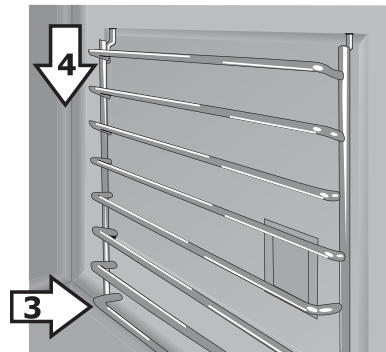


Figura 14: Soportes de rejilla de escalera - extremos inferiores

6.2 Modelos de 30" - Rejillas deslizantes

Las rejillas deslizantes se instalan como otras rejillas del horno.

El tope de la rejilla deslizante (Figura 15) deberá estar dentro del soporte de escalera para que la rejilla se deslice adecuadamente.

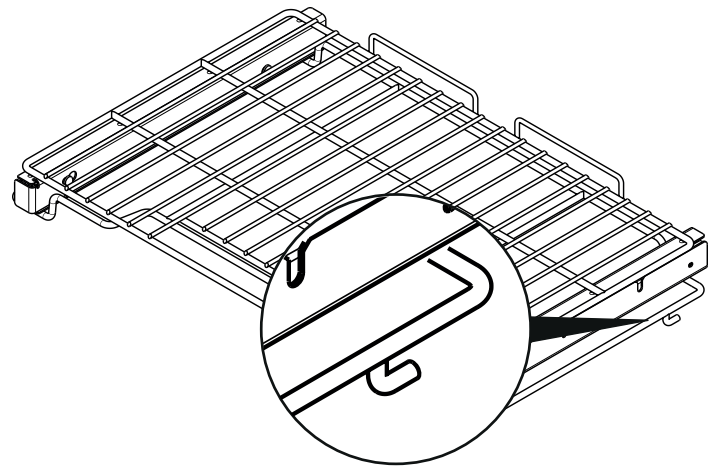


Figura 15: Tope de rejilla deslizante

Coloque la rejilla en los soportes de las rejillas. Incline la parte posterior de la rejilla ligeramente hacia arriba para que el tope quede colocado en el interior de la rejilla de escalera. Vuelva a colocar la rejilla del horno en su posición

Asegúrese de deslizar por completo la rejilla de modo que la parte posterior se detenga al encontrarse con el soporte vertical de la rejilla de escalera.

Para evitar posibles daños en el horno, no intente cerrar la puerta del horno hasta que todas las rejillas estén completamente posicionadas dentro de la cavidad del horno.

INSTRUCCIONES DE INSTALACIÓN DE ESTUFA DE COMBUSTIBLE DUAL DE 30" Y 36"

6.3 Modelos de 36" - Soportes de rejilla en escalera

1. Saque los tornillos de pulgar situados a cada lado de la cavidad del horno (ver Figura 16).

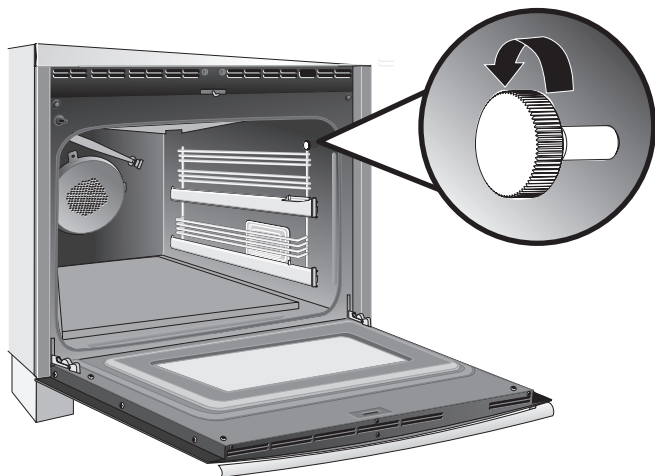


Figura 16: Tornillo de pulgar de rejilla de escalera

2. Coloque las rejillas de escalera en los soportes situados en los laterales del horno (ver Figura 17).
3. Vuelva a colocar los tornillos quitados en el Paso 1.



Figura 17: Soportes de rejilla de escalera

6.4 Modelos de 36" - Rejillas deslizantes

En modelos de 36", las guías deslizantes de las rejillas de horno deslizantes vienen preinstaladas en los soportes de rejillas de escalera (ver Figura 18).

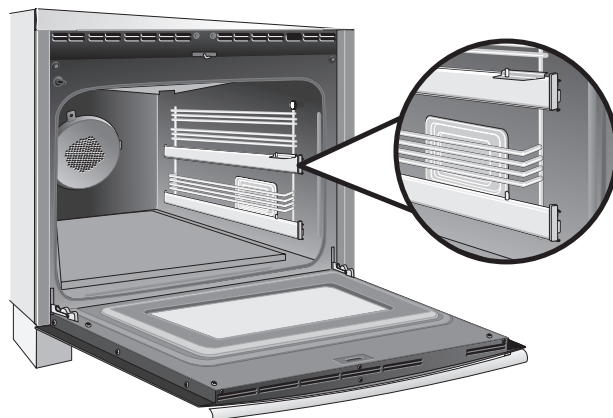


Figura 18: Guías de rejilla de escalera

Las rejillas deslizantes tienen una apariencia ligeramente distinta de las planas (ver Figura 19). Solo es posible instalar rejillas deslizantes en las guías deslizantes.

1. Extienda totalmente las dos guías inferiores fuera del horno.
2. Vuelva a colocar la rejilla deslizante sobre las guías.
3. Cerca de la parte trasera de la rejilla, ajuste la ranura de la rejilla en las pestañas de la guía. Cerca de la parte delantera de la rejilla, ajuste el pasador de guía en el orificio de la rejilla (ver Figura 19).
4. Una vez instalada la rejilla, puede meterse y sacarse de la cavidad del horno en las guías deslizantes. Repita para el conjunto de guías superiores.

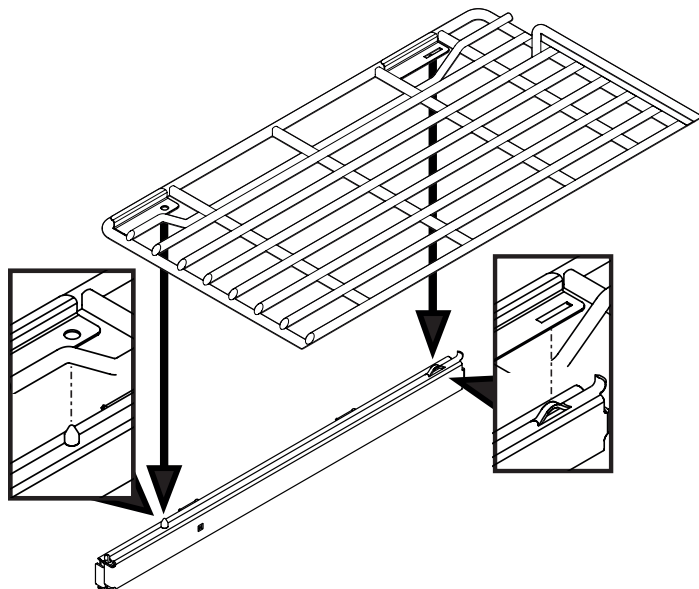


Figura 19: Instalación de las rejillas de horno

Las rejillas deslizantes solo pueden utilizarse en estas posiciones. Las rejillas pueden sacarse de las guías y utilizarse como rejillas planas normales en todas las demás posiciones.

Introduzca las rejillas de horno planas normales en cualquier posición que desee.

INSTRUCCIONES DE INSTALACIÓN DE ESTUFA DE COMBUSTIBLE DUAL DE 30" Y 36"

7 Nivele la estufa

Nivele la estufa y ajuste la altura de la cubierta antes de la instalación en la abertura recortada (en su caso).

1. Coloque una rejilla en el centro del horno.
2. Coloque un nivel en la rejilla (Figura 20). Haga dos lecturas con el nivel colocado diagonalmente en una dirección y después en la otra.

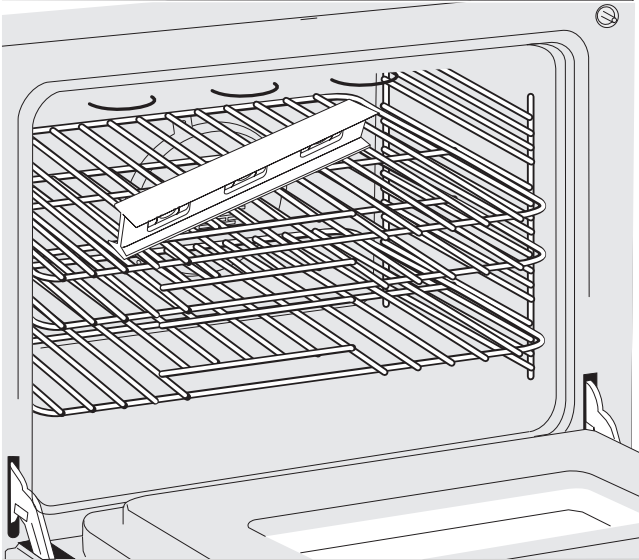


Figura 20: Utilice las rejillas de horno para nivelar el electrodoméstico

3. En su caso, nivele la estufa ajustando las cuatro patas niveladoras con una llave inglesa (Figura 21).

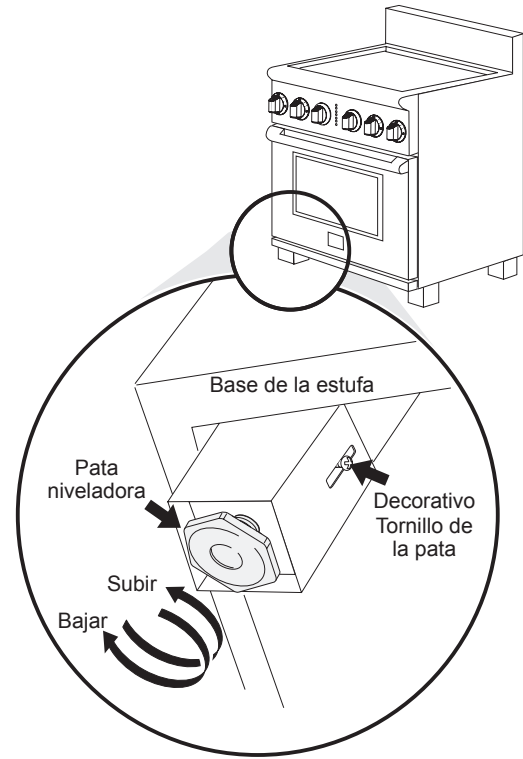


Figura 21: Ajuste de la altura del aparato

4. Deslice la estufa en la abertura recortada y compruebe bien el nivel. Si la estufa no está nivelada, saque la unidad y reajuste las patas de nivelación o asegúrese de que el suelo esté nivelado.

INSTRUCCIONES DE INSTALACIÓN DE ESTUFA DE COMBUSTIBLE DUAL DE 30" Y 36"

8 Instale el soporte antivuelco

⚠ ADVERTENCIA Para reducir el riesgo de vuelco del aparato, este debe fijarse al suelo mediante el soporte antivuelco adecuadamente instalado con sus tornillos, incluidos con la estufa. Estas piezas se encuentran dentro del horno. Si no se instala el soporte antivuelco, la estufa puede volcarse si se coloca excesivo peso en la puerta abierta del horno o si se sube un niño sobre ella. Pueden producirse lesiones graves por los líquidos calientes vertidos o por la propia estufa.

Si la estufa se mueve a una ubicación distinta, también deben moverse los soportes antivuelco e instalarse con la estufa.

Herramientas necesarias:


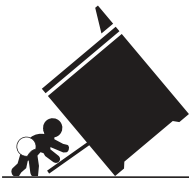
- Llave inglesa
- Trinquete
- Taladro y broca de 1/8" (0,32 cm)
- Llave de tuerca de 5/16" (0,8 cm)
- Nivel

⚠ ADVERTENCIA

Riesgo de volcamiento

- Un niño o adulto puede volcar la estufa y acabar muerto.
- Verifique que se haya instalado el dispositivo antivuelco en el piso o en la pared.

- Asegúrese de que el dispositivo antivuelco se haya reemplazado cuando mueva la estufa sobre el piso o a la pared.
- No utilice la estufa sin el dispositivo antivuelco instalado y acoplado.
- Si no se siguen estas instrucciones, se puede provocar la muerte o quemaduras graves en niños y adultos.



Tornillo nivelador de la estufa

Soporte antivuelco

Para verificar si el soporte antivuelco está instalado correctamente, sostenga el borde trasero de la parte trasera de la estufa usando ambos brazos. Intente inclinar la estufa hacia adelante con cuidado. Si está instalada correctamente, la estufa no debería inclinarse hacia adelante.

Consulte las instrucciones de instalación del soporte antivuelco proporcionadas con la estufa para instalarlo adecuadamente.

8.1 Localice el soporte utilizando la plantilla

El soporte puede estar situado a la izquierda o derecha de la estufa. Marque el suelo o pared en la que se situará el lado izquierdo o derecho de la estufa.

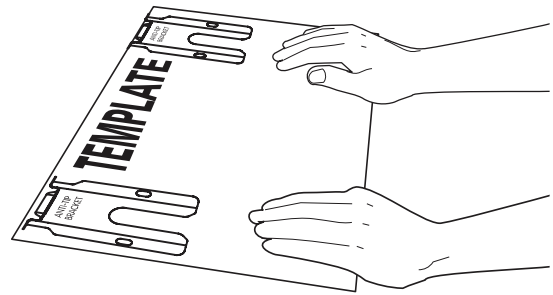


Figura 22: Plantilla del soporte

Si la parte posterior de la estufa queda contra la pared o a menos de 1/2" (1,3 cm) de la pared una vez instalada, puede utilizar el método de montaje en pared o suelo. Si está instalada la moldura e impide que el soporte quede al nivel de la pared, retire la moldura o el soporte de montaje sobre el suelo.

Para montaje en pared, busque el soporte colocando el borde posterior de la plantilla contra la pared posterior y el borde lateral de la plantilla en la marca de referencia en el lateral de la estufa. Coloque el soporte encima de la plantilla y marque la situación de los orificios de los tornillos en la pared.

Si la parte posterior de la estufa queda contra la pared o a menos de 1/2" (1,3 cm) de la pared una vez instalada, puede utilizar el método de montaje en pared o suelo. Para montaje sobre el suelo, localice el soporte colocando el borde posterior de la plantilla en el lugar donde se situará la parte posterior de la estufa.

Marque la ubicación de los orificios de los tornillos indicada en la plantilla.

INSTRUCCIONES DE INSTALACIÓN DE ESTUFA DE COMBUSTIBLE DUAL DE 30" Y 36"

8.2 Perfore los orificios y fije el soporte

Perfore un orificio piloto de 1/8" donde vayan a situarse los tornillos.

Si se va a montar el soporte en la pared, taladre un orificio piloto con un ángulo aproximado de 20°. Si se va a montar el soporte en suelos de mampostería o cerámica, taladre un orificio piloto de 3/16" (4,8 mm) y 1-3/4" de profundidad.

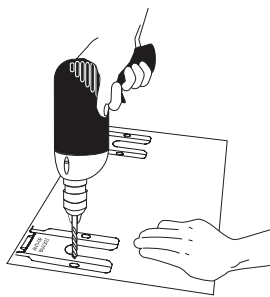


Figura 23: Perfore orificios piloto

Los tornillos suministrados pueden utilizarse en madera u hormigón. Utilice una llave de tuerca de 5/16" o destornillador de cabeza plana para fijar bien el soporte.

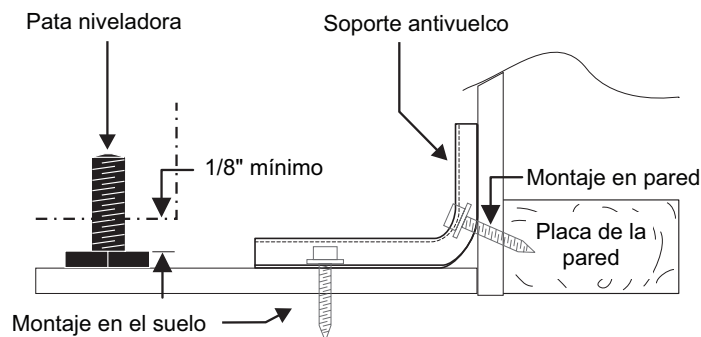


Figura 24: Apretar el soporte

8.3 Compruebe el nivel y posicione la estufa

Compruebe el nivel de la instalación final. Nota: Se precisa una separación mínima de 1/8" entre la parte inferior de la estufa y la pata niveladora para dejar espacio para el soporte. Utilice un nivel para comprobar los ajustes.

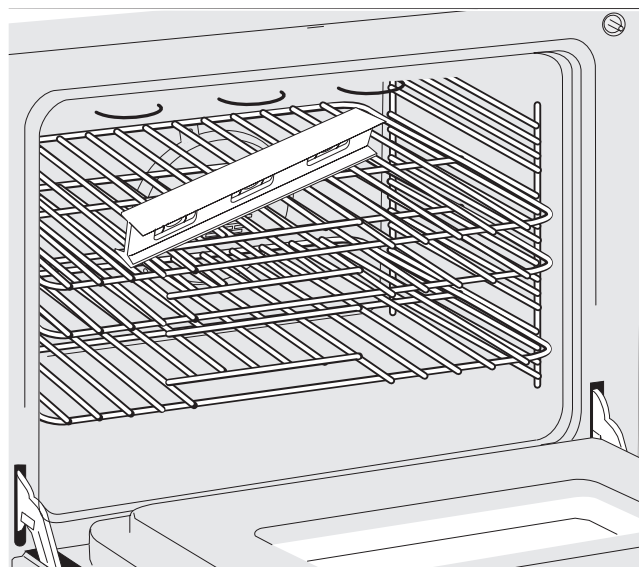


Figura 25: Utilice las rejillas de horno para nivelar el electrodoméstico

Deslice la estufa en su posición.

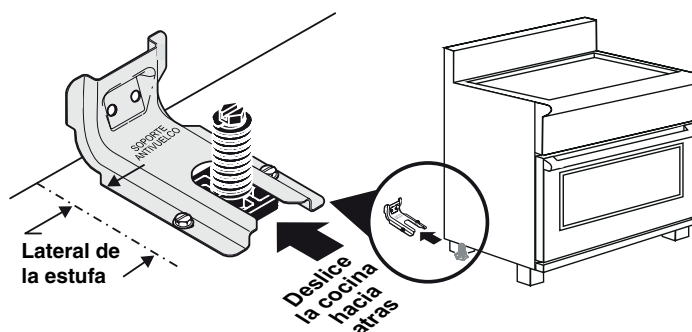


Figura 26: Deslice el aparato en el soporte.

Para controlar si la abrazadera antivuelco está montada correctamente, utilice ambos brazos y agarre el borde trasero de la parte posterior de la cocina. Intente inclinar cuidadosamente hacia delante la cocina. Si está correctamente instalada, la cocina no debería inclinarse hacia delante.

Si la estufa se mueve a una ubicación distinta, también deben moverse los soportes antivuelco e instalarse con la estufa.

INSTRUCCIONES DE INSTALACIÓN DE ESTUFA DE COMBUSTIBLE DUAL DE 30" Y 36"

9 Instale los conjuntos de quemador

⚠ ATENCIÓN Para evitar explosiones, utilice la cubierta con todas las tapas de los quemadores adecuadamente instaladas.

9.1 Quemadores sellados estándar

Coloque una tapa de quemador en cada cabezal de quemador, ajustando el tamaño de la tapa al del cabezal.

La tapa de cada quemador tiene una anilla interior de localización que centra la tapa correctamente sobre el cabezal del quemador. Compruebe que todas las tapas estén adecuadamente alineadas y niveladas. Es posible que los quemadores no se enciendan ni quemen de forma uniforme si las tapas no están correctamente colocadas sobre el cabezal.

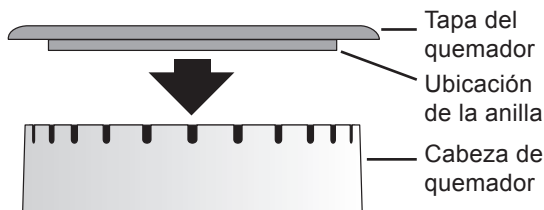


Figura 27: Conjunto de tapa de quemador

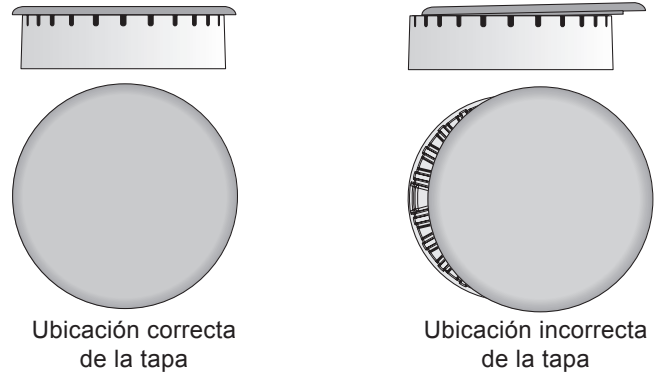


Figura 28: Ubicación de la tapa del quemador

9.2 Quemadores especiales

Instale los quemadores especiales según se muestra en la Figura 29.

Cuando la anilla del quemador esté correctamente asentada hará un sonido. Cuando la tapa del quemador esté en su posición correcta no deberá moverse del hueco del cabezal del quemador.

Para encenderse correctamente, la pestaña de alineación de la anilla del quemador deberá ajustarse en la ranura de alineación de la base del quemador. Asegúrese de que la tapa del quemador y la anilla estén fijas antes de tratar de encender el quemador.

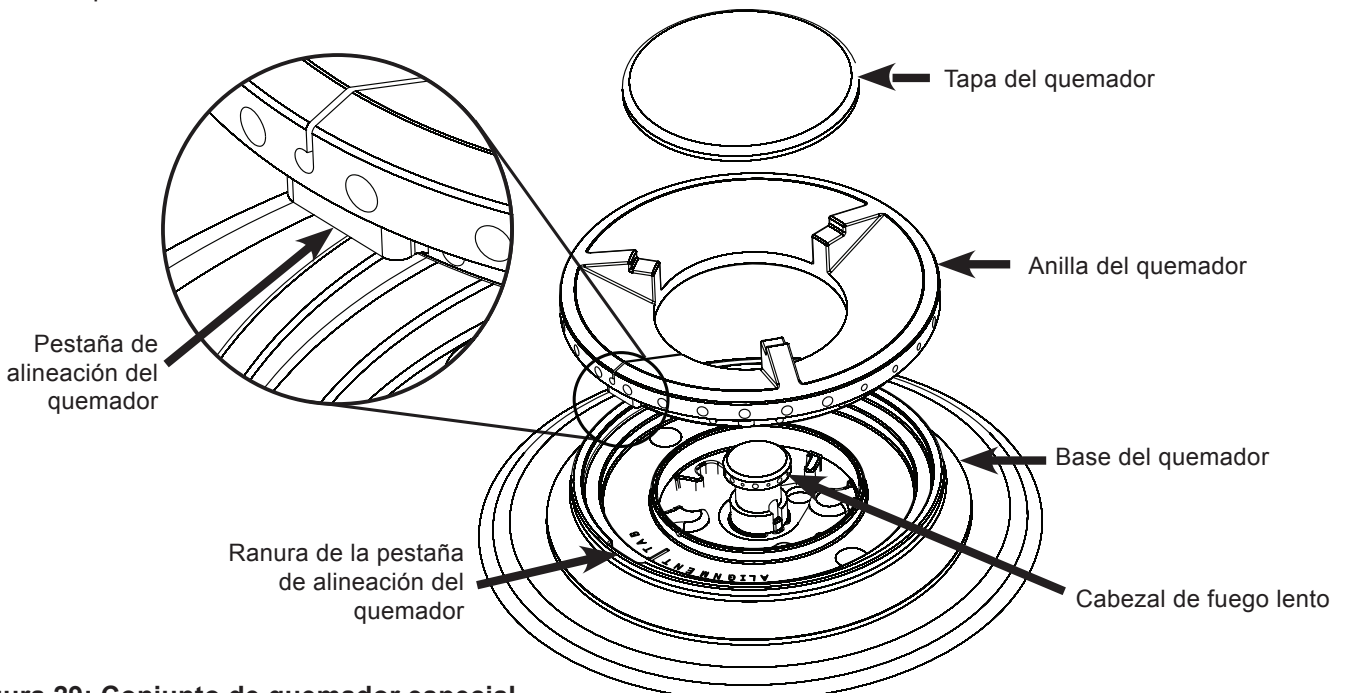


Figura 29: Conjunto de quemador especial

INSTRUCCIONES DE INSTALACIÓN DE ESTUFA DE COMBUSTIBLE DUAL DE 30" Y 36"

9.3 Compruebe la ignición en los quemadores de la superficie

Compruebe el funcionamiento de los encendedores después de haber comprobado cuidadosamente si hay pérdidas en los conectores de la línea de suministro y de conectar la estufa a la corriente eléctrica. Para comprobar el correcto encendido:

1. Presione y gire una manija de quemador de superficie hasta la posición de chispa. Todos los encendedores de superficie electrónicos emitirán chispas al mismo tiempo. Solo se encenderá el quemador que ha accionado.
2. El quemador de la superficie deberá encenderse una vez que el gas llegue al quemador. Cada quemador deberá encenderse al cabo de cuatro (4) segundos en funcionamiento normal después de haberse purgado el aire de las líneas de suministro. Verifique visualmente que el quemador se haya encendido.
3. Una vez encendido el quemador, gire el mando a una posición distinta de LITE.

Gire cada uno de los quemadores de la superficie y compruebe que enciendan correctamente y que las llamas sean uniformes. Haga los ajustes necesarios.

9.4 Utilice un nivel bajo en los quemadores de la superficie

Para ajustar el nivel bajo de los quemadores de la superficie:

1. Pulse y gire el control hasta LITE hasta que se encienda el quemador.
2. Gire rápidamente el mando hasta la POSICIÓN MÁS BAJA.
3. Si el quemador se apaga, vuelva a poner el control en posición OFF.
4. Extraiga el mando de control del quemador de la superficie y la anilla decorativa.
5. Inserte un destornillador de punta plana en el vástago de válvula hueco y accione el tornillo ranurado interior. El tamaño de la llama puede aumentarse o reducirse girando el tornillo.

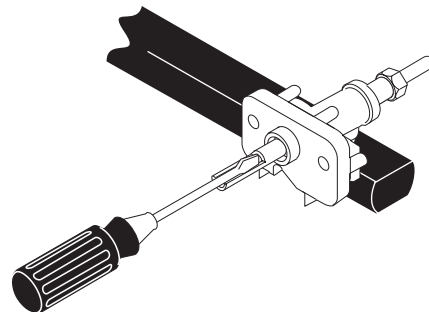


Figura 30: Gire para ajustar la llama de la superficie

6. Ajuste la llama hasta que pueda girar rápidamente el mando de la posición de chispa a la posición de llama más baja sin que se apague la llama. La llama deberá ser lo más baja posible sin apagarse.

Notas:-

- No se precisa ajuste de la mezcla de aire en los quemadores de la superficie.
- Algunos modelos tienen dos llamas en cada quemador. La llama central de estos quemadores no es ajustable.

INSTRUCCIONES DE INSTALACIÓN DE ESTUFA DE COMBUSTIBLE DUAL DE 30" Y 36"

10 Compruebe el funcionamiento del horno

Consulte la guía de uso y cuidados incluida con la estufa para ver las instrucciones de funcionamiento y de cuidado y limpieza de su estufa.

Retire todo el empackado del horno antes de hacer las pruebas.

El horno cuenta con control electrónico. Todas las funciones se han comprobado en fábrica antes de entregarse. Sin embargo, es recomendable verificar una vez más el funcionamiento de los controles electrónicos del horno. Consulte la guía del propietario. Siga las instrucciones de las funciones de reloj, temporizador, horneado, asado, confección y limpieza.

Bake (Hornear)—Después de ajustar el horno a 350°F (177°C) para hornear, el piso de la cavidad del horno deberá calentarse.

Broil (Asar)—Cuando el horno se ajusta a BROIL, el elemento superior del horno deberá ponerse rojo.

Clean (Limpiar)—Cuando el horno se ajusta a un ciclo de autolimpieza, el elemento superior deberá ponerse rojo durante la parte de precalentamiento del ciclo. Al alcanzar la temperatura de autolimpieza, el piso de la cavidad del horno deberá calentarse.

Convección—Cuando el horno se ajusta a CONV. BAKE/ROAST a 350°F (177°C), ambos elementos se encienden y apagan alternativamente y el ventilador de convección gira. El ventilador de convección deja de girar al abrir la puerta del horno durante el horneado o asado con convección.

11 Después de la instalación

Cuando se han completado todas las conexiones

Asegúrese de que todos los controles queden en posición OFF (Apagado).

Ubicación del número de modelo y serie

La placa del número de serie se encuentra en la parte superior del panel frontal inferior de la estufa y puede verse claramente al abrir la puerta. Al hacer pedido de piezas o consultas sobre su estufa, tenga a mano el número de modelo y serie. (Figura 31).

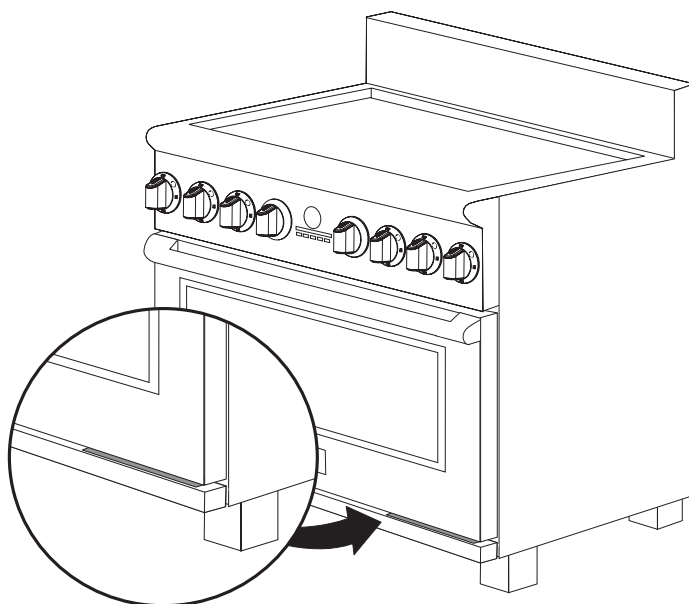


Figura 31: Ubicación del número de modelo y serie

Antes de solicitar asistencia

Lea la Lista de comprobación para evitar llamadas de servicio y las instrucciones de funcionamiento de su Guía del propietario. Puede ahorrarle tiempo y dinero. La lista incluye circunstancias habituales que no se deben a defectos de mano de obra o materiales en el aparato.

Consulte la información sobre garantía y servicio en su Guía del propietario, donde encontrará nuestro número de teléfono y dirección. Llame o escriba si tiene alguna duda sobre su producto y para hacer pedido de piezas.

INSTRUCTIONS D'INSTALLATION

CUISINIÈRE BI-ÉNERGIE 30 po & 36 po

L'INSTALLATION ET LE SERVICE DOIVENT ÊTRE EFFECTUÉS PAR
UN INSTALLATEUR QUALIFIÉ.

**IMPORTANT : CONSERVER POUR L'INSPECTEUR EN ÉLECTRICITÉ LOCAL.
LIRE ET CONSERVER CES INSTRUCTIONS POUR CONSULTATION ULTÉRIEURE.**

⚠ AVERTISSEMENT POUR VOTRE SÉCURITÉ : Ne pas entreposer ou utiliser de la gazoline ou autres vapeurs et liquides inflammables à proximité de cet ou tout autre appareil.

Canada



Table des matières

Consignes de sécurité importantes	38-40	Connecter l'alimentation en combustion.....	46
Dimensions du produit.....	41	Installer les grilles du four.....	47-48
Dimensions de la carrosserie	42	Mettre la cuisinière de niveau.....	49
Construction de la carrosserie.....	43	Installer le support antibasculement.....	50-51
Exigences électriques.....	43-44	Installer les assemblages de brûleur.....	52-53
Cordon d'alimentation.....	44	Vérifier le fonctionnement du four.....	54
Exigences d'alimentation en combustion	45	Après l'installation.....	54
		Emplacement de la plaque de série (Numéro de modèle & de série)	54

Remarques importantes pour l'installateur

1. Lire toutes les instructions contenues dans ces instructions d'installation avant d'installer la cuisinière.
2. Enlever tout le matériel d'emballage de la cuisinière et des compartiments tiroirs avant de connecter l'alimentation électrique à la cuisinière.
3. Le support antibasculement fourni avec l'appareil ménager doit être installé.
4. Observer tous les codes et règlements applicables.
5. S'assurer de laisser ces instructions avec le consommateur.

Remarque importante pour le consommateur

1. Conserver ces instructions avec votre guide du propriétaire pour consultation ultérieure.
2. Lors de l'utilisation d'appareils qui génèrent de la chaleur, il y a des consignes de sécurité que vous devez respecter. Ces consignes sont expliquées dans votre manuel Utilisation et Entretien. Lire attentivement votre manuel.
3. S'assurer que votre appareil ménager est installé et mis à la terre par un installateur qualifié ou par un technicien de service.

CONSIGNES DE SÉCURITÉ IMPORTANTES

Cet appareil doit être installé, mis à la terre et entretenu par un installateur qualifié ou par un technicien de service.

Ce manuel contient des symboles et des instructions de sécurité importants. Veuillez porter attention à ces symboles et suivre toutes les instructions données. Ne pas tenter d'installer ou de faire fonctionner votre appareil avant d'avoir lu les consignes de sécurité dans ce manuel. Les points de sécurité à travers ce manuel sont étiquetés avec un énoncé d'AVERTISSEMENT ou de PRUDENCE selon le type de risque.

Les avertissements et les instructions importantes qui apparaissent dans ce guide ne sont pas destinées à couvrir toutes les conditions et situations possibles qui peuvent se produire. Il faut faire preuve de bons sens, de prudence et de précaution lors de l'installation, de l'entretien et du fonctionnement de votre appareil.

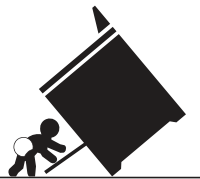
⚠ Ceci est le symbole d'alerte de sécurité. Il est utilisé pour vous alerter des risques de blessures corporelles potentielles. Se conformer à tous les messages de sécurité qui suivent ce symbole afin d'éviter des blessures corporelles ou la mort.

⚠ AVERTISSEMENT Indique une situation potentiellement dangereuse qui, si non évitée, peut causer la mort ou des blessures graves.

⚠ ATTENTION Indique une situation potentiellement dangereuse qui, si non évitée, peut causer des blessures mineures ou modérées.

IMPORTANT : Indique des informations sur l'installation, le fonctionnement, l'entretien ou des informations utiles qui ne sont pas reliées à un risque.

⚠ AVERTISSEMENT **Risque de basculement**

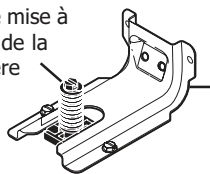


- Un enfant ou un adulte peut faire basculer la cuisinière et en décéder.
- Vérifiez que le dispositif anti-renversement a été fixé au plancher ou au mur.

- Assurez-vous d'enclencher le dispositif anti-renversement lorsque la cuisinière est déplacée sur le plancher ou contre le mur.
- Ne faites pas fonctionner la cuisinière si le dispositif anti-renversement n'est pas en place et enclenché.
- Le non-respect de ces instructions peut causer des blessures fatales ou de graves brûlures aux enfants et aux adultes.



Pied de mise à niveau de la cuisinière



Support anti-renversement

Pour vérifier si le support anti-renversement est correctement installé, attrapez le bord arrière de la cuisinière à deux mains, et essayez doucement de faire basculer la cuisinière vers l'avant. Lorsque le support est correctement installé, la cuisinière ne doit pas basculer vers l'avant.

Reportez-vous aux instructions d'installation du support anti-renversement fournies avec la cuisinière pour vous assurer que l'installation est effectuée de façon appropriée.

⚠ AVERTISSEMENT Si l'information dans ce manuel n'est pas suivie exactement, un incendie ou une explosion peut causer des dommages matériels, des blessures corporelles ou la mort.

POUR VOTRE SÉCURITÉ :

- Ne pas entreposer ou utiliser de la gazoline ou autres vapeurs ou liquides inflammables à proximité de cet ou tout autre appareil.
- **QUE FAIRE SI VOUS SENTEZ DU GAZ :**
 - Ne pas tenter d'allumer aucun appareil.
 - Ne pas toucher à aucun interrupteur électrique; ne pas utiliser aucun téléphone dans votre immeuble.
 - Appeler immédiatement votre fournisseur de gaz à partir du téléphone d'un voisin. Suivre les instructions du fournisseur de gaz.
 - Si vous ne pouvez pas joindre votre fournisseur de gaz, appeler le service d'incendie.
- L'installation et le service doivent être effectués par un installateur qualifié, un préposé à l'entretien ou le fournisseur de gaz.

CUISINIÈRE BI-ÉNERGIE 30 po & 36 po INSTRUCTIONS D'INSTALLATION

⚠ AVERTISSEMENT

- **Risque de poids excessif**--Utiliser deux personnes ou plus pour déplacer et installer la cuisinière. Ne pas suivre ces instructions peut causer des blessures au dos ou autres blessures.
- **Rangement dans ou sur l'appareil**—Les matières inflammables ne devraient pas être rangées dans un four ou micro-onde, près des brûleurs de surface ou éléments, ou dans le tiroir de rangement ou réchaud (si équipé). Ceci inclut le papier, le plastique, et les articles en tissu, comme des livres de cuisine, des articles en plastique, et des serviettes, de même que des liquides inflammables. Ne pas ranger des explosifs, comme des diffuseurs d'aérosol, sur ou près de l'appareil.
- **Ne pas laisser les enfants seuls** - Les enfants ne devraient pas être laissés seuls ou sans surveillance dans la zone où l'appareil est en utilisation. Ils ne devraient jamais pouvoir s'asseoir ou se tenir debout sur aucune partie de l'appareil, incluant le tiroir de rangement, le tiroir du grill inférieur, le tiroir réchaud, ou le four double inférieur.
- Ne pas ranger d'articles qui pourraient intéresser les enfants dans les armoires au-dessus de l'appareil ou sur les dossierets des cuisinières. Les enfants qui grimpent sur ou près de l'appareil pour atteindre des articles pourraient être blessés gravement.
- Se tenir debout, se pencher ou s'asseoir sur la porte ou les tiroirs de cet appareil peut causer des blessures graves et aussi causer des dommages à l'appareil.
- Ne pas utiliser le four ou le tiroir réchaud (si équipé) pour du rangement.
- Ne jamais utiliser votre appareil comme chauffe-étuve pour chauffer ou réchauffer la pièce. Le faire peut causer un empoisonnement au monoxyde de carbone et une surchauffe de l'appareil.
- Ne pas entreposer ou utiliser de la gazoline ou autres vapeurs et liquides inflammables à proximité de cet ou tout autre appareil.
- Un rideau d'air ou autres hottes de cuisinière qui fonctionnent en soufflant un débit d'air vers le bas dans une cuisinière ou surface de cuisson, ne devra pas être utilisé conjointement avec les cuisinières au gaz ou les surfaces de cuisson autres que lorsque la cuisinière ou la surface de cuisson a été conçue, testée, listée par un laboratoire de test indépendant pour être utilisé l'un avec l'autre.

INSTRUCTIONS IMPORTANTES POUR LE DÉSEMBALLAGE ET L'INSTALLATION

Lire et suivre les instructions et les consignes ci-dessous pour le désemballage, l'installation et l'entretien de votre appareil:

- Détruire le carton et les sacs de plastique après avoir désemballé l'appareil. Ne jamais laisser les enfants jouer avec le matériel d'emballage. Ne pas enlever l'étiquette de câblage et autre littérature attachées à l'appareil. Ne pas enlever la plaque du numéro de modèle/de série.

- Les températures froides peuvent endommager la commande électronique. Lors de l'utilisation de cet appareil pour la première fois, ou lorsque l'appareil n'a pas été utilisé pour une longue période de temps, s'assurer que l'appareil a été dans des températures au-dessus de 32 °F (0 °C) pendant au moins 3 heures avant de mettre l'appareil en marche.
- Ne jamais modifier ou altérer la construction de l'appareil en enlevant les pieds de mise à niveau, les panneaux, les couvre-fils, les supports/vis antibasculement, ou toute autre pièce de l'appareil.
- Installation appropriée - S'assurer que votre appareil est installé et mis à la terre correctement par un technicien qualifié. Aux États-Unis, installer en conformité avec le National Fuel Gas Code ANSI Z223.1/NPFA No. 54, édition la plus récente et le National Electrical Code NFPA No. 70 édition la plus récente, et les exigences du code d'électricité local. Au Canada, installer en conformité avec la CAN/CGA B149.2 et CSA Standard C22.1, Code canadien de l'électricité, Partie 1- éditions les plus récentes et les exigences du code d'électricité local. Installer uniquement selon les instructions d'installation fournies dans l'emballage de littérature pour cet appareil.
- L'installation d'appareils conçus pour être installés dans une maison préfabriquée (mobile) doit être conforme à la norme Manufactured Home Construction and Safety Standard, titre 24CFR, part 3280 [Anciennement le Federal Standard for Mobile Home Construction and Safety, titre 24, HUD (part 280)] ou lorsqu'une telle norme n'est pas applicable, la norme Standard for Manufactured Home Installation 1982 (Manufactured Home Sites, Communities and Setups), ANSI Z225.1/ NFPA 501A-édition la plus récente, ou les codes locaux aux États-Unis et avec la norme CAN/CSA-Z240 MH au Canada.
- Avant d'installer la cuisinière dans un endroit recouvert avec du linoléum ou autre recouvrement de plancher synthétique, s'assurer que le recouvrement de plancher peut tolérer au moins 90 °F (32,2 °C) au-dessus de la température de la pièce sans rétrécir, se déformer ou se décolorer. Ne pas installer la cuisinière sur du tapis à moins de placer une plaque isolante ou une feuille de contreplaqué d'une épaisseur de 1/4 po (0,64 cm) entre la cuisinière et le tapis.
- S'assurer que le revêtement mural et les matériaux des armoires autour de la cuisinière peuvent résister à la chaleur générée par l'appareil.
- Pour éliminer le risque de brûlures ou d'incendie en accédant au-dessus des unités à surface chaude, l'espace de rangement dans les armoires au dessus de la surface de l'unité devrait être évité. Si le rangement dans les armoires est permis, le risque peut être diminué en installant une hotte qui dépasse horizontalement un minimum de 5 pouces au-delà du bas de l'armoire.
- Ne pas obstruer le débit d'air au niveau de l'évent du four, autour de la base, ou sous le panneau avant inférieur de l'appareil. Cet appareil requiert de l'air frais pour fonctionner adéquatement.
- S'assurer d'avoir un extincteur à mousse disponible, visible, facilement accessible et situé près de l'appareil.

CUISINIÈRE BI-ÉNERGIE 30 po & 36 po INSTRUCTIONS D'INSTALLATION

INSTRUCTIONS SPÉCIALES POUR LES APPAREILS INSTALLÉS DANS L'ÉTAT DU MASSACHUSETTS

Cet appareil peut être installé uniquement dans l'État du Massachusetts par un plombier autorisé ou un monteur d'installations au gaz. Si un connecteur de gaz flexible est utilisé, il ne doit pas excéder 3 pieds (36 pouces) de longueur. Une soupape à gaz manuelle de type poignée en « T » doit être installée dans l'alimentation en gaz vers cet appareil.

CONVERSION AU GAZ PL

Cet appareil permet une conversion au Gaz de pétrole liquéfié (PL).

⚠ AVERTISSEMENT Des blessures corporelles ou la mort suite à un choc électrique peuvent se produire si la conversion au gaz PL n'est pas faite par un installateur qualifié ou un électricien. Tous les ajouts, changements ou conversions requis afin que cet appareil satisfasse les besoins de l'application doivent être effectués par un technicien qualifié.

Si une conversion PL est requise, communiquer avec votre fournisseur de gaz PL pour de l'assistance. La trousse de conversion PL est fournie avec cet appareil et est située sur le panneau ARRIÈRE inférieur (côté arrière) de la cuisinière. Avant d'installer la trousse, s'assurer de lire les Instructions d'installation PL et les suivre méticuleusement lors de l'installation.

INSTRUCTIONS IMPORTANTES POUR LE SERVICE ET L'ENTRETIEN

- Ne pas réparer ou remplacer aucune pièce de l'appareil à moins que spécifiquement recommandé dans les manuels. Tout autre entretien devrait être effectué uniquement par un technicien qualifié. Ceci réduit le risque de blessures corporelles et de dommages à l'appareil.
- Toujours communiquer avec votre détaillant, distributeur, agent de service, ou fabricant au sujet de problèmes ou de conditions que vous ne comprenez pas.
- Demander à votre détaillant de recommander un technicien qualifié et un service de réparation autorisé. Savoir comment déconnecter l'alimentation à l'appareil au niveau du disjoncteur ou de la boîte à fusibles en cas d'urgence.
- Enlever la porte du four de tout four non utilisé s'il doit être entreposé ou jeté.
- Ne pas toucher à une ampoule de four chaude avec un linge humide. Le faire pourrait causer un bri de l'ampoule. Manipuler les lampes halogènes (si équipé) avec des essuie-tout ou des gants doux. Déconnecter l'appareil ou couper l'alimentation vers l'appareil avant d'enlever ou de remplacer l'ampoule.

CUISINIÈRE BI-ÉNERGIE 30 po & 36 po INSTRUCTIONS D'INSTALLATION

Dimensions du produit

⚠ AVERTISSEMENT Ne pas installer l'unité dans la carrosserie avant d'avoir lu les deux prochaines pages.

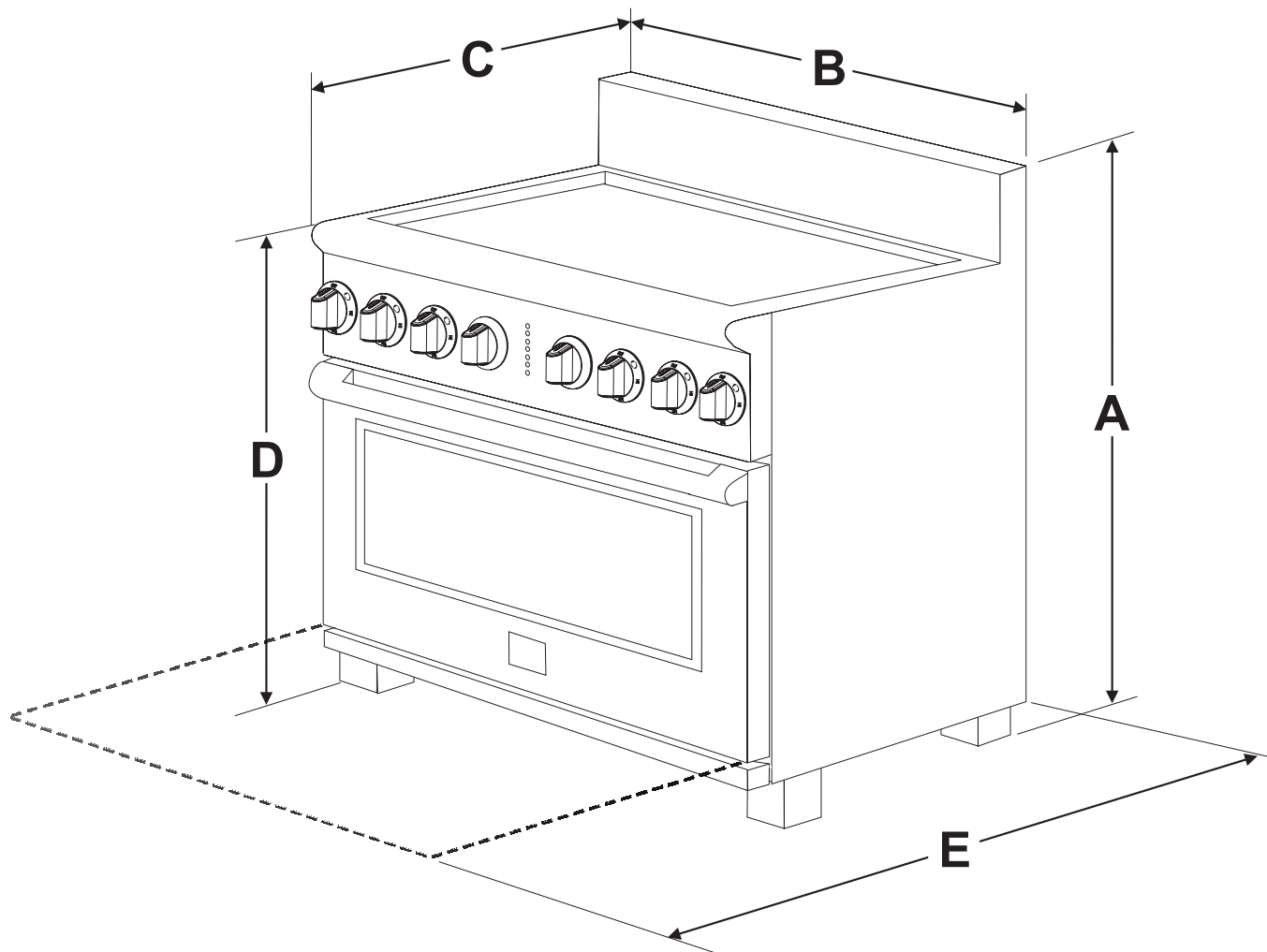


Figure 1 : Dimensions du produit

MODÈLE	A. HAUTEUR	B. LARGEUR	C. PROFONDEUR JUSQU'À L'AVANT DE LA CUISINIÈRE	D. HAUTEUR DE LA SURFACE DE CUISSON	E. PROFONDEUR AVEC PORTE OUVERTE
30"	41 5/8 po (105,7 cm) Min.	29 7/8 po (75,9 cm)	27 1/2 po (69,9cm)	35 3/4 po (90,8 cm) Min.	46 1/4 po (117,5 cm)
36"	42 5/8 po (108,3 cm) Max.	35 7/8 po (91,1 cm)		36 3/4 po (93,3 cm) Max.	48 3/8 po (122,9 cm)

CUISINIÈRE BI-ÉNERGIE 30 po & 36 po INSTRUCTIONS D'INSTALLATION

Dimensions de la carrosserie

Dégagements et dimensions

- S'assurer d'avoir des dégagements adéquats entre l'appareil et les surfaces combustibles adjacentes.
- Emplacement - Vérifier l'emplacement où l'appareil sera installé. S'assurer que l'alimentation électrique est appropriée et que le plancher est stable.
- Les dimensions illustrées doivent être utilisées. Les dimensions données offrent un dégagement minimal. La surface de contact doit être solide et de niveau.

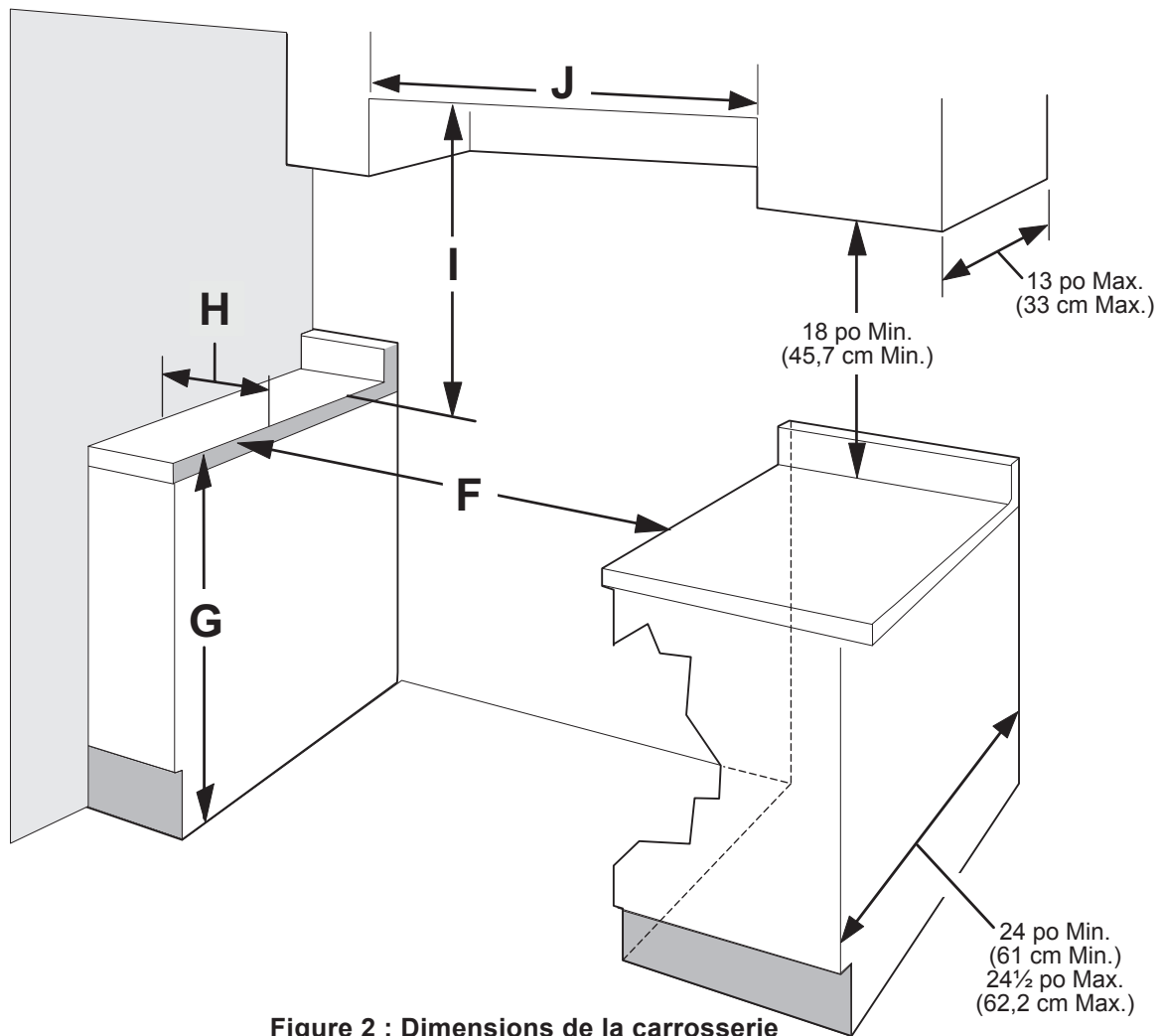


Figure 2 : Dimensions de la carrosserie

MODÈLE	F. LARGEUR MINIMALE DE DÉCOUPE	G. HAUTEUR DU COMPTOIR	H. DÉGAGEMENT DES MURS LATÉRAUX ²	I. DÉGAGEMENT DE LA SURFACE DE CUISSON AU BAS DE L'ARMOIRE ³	J. LARGEUR DE DÉGAGEMENT DES ARMOIRES AU-DESSUS
30"	30 1/16 po (76,4 cm)	36 po (91,4 cm) Standard	5 po (12,7 cm) Min.	30 po (76,2 cm) Min.	30 po (76,2 cm) Min.
36"	36 1/16 po (91,6 cm)	35 3/4 po (90,8 cm) Min.	7 po (17,8 cm) Min.	36 po (91,4 cm) Min.	36 po (91,4 cm) Min.

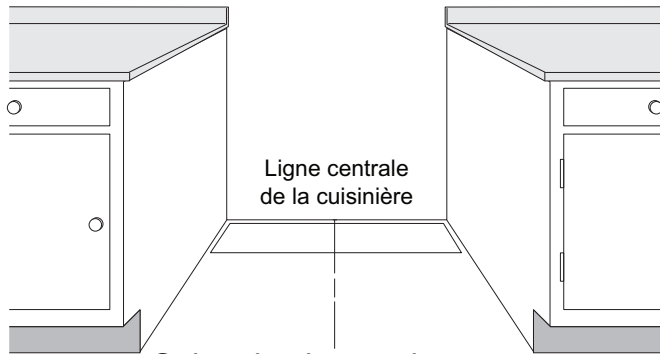
REMARQUES :

1. Ne pas sceller la cuisinière aux armoires sur les côtés.
2. Dégagement des murs adjacents ou autres surfaces ou structures verticales comme les armoires.
3. Les mesures listées sont des dégagements minimaux entre la surface de cuisson et le bas de l'armoire.
4. Dégagement de 0 po entre la cuisinière et les armoires ou les surfaces verticales qui sont sous la hauteur de la surface de cuisson.
5. Dégagement de 0 po entre l'arrière de la cuisinière et le mur arrière ou l'armoire.

CUISINIÈRE BI-ÉNERGIE 30 po & 36 po INSTRUCTIONS D'INSTALLATION

1 Construction de la carrosserie

ATTENTION Pour éliminer le risque de brûlures ou d'incendie en accédant au-dessus des unités à surface chaude, ne pas avoir d'espace de rangement dans les armoires au dessus de la cuisinière. S'il y a un espace de rangement dans les armoires au-dessus de la cuisinière, réduire le risque en installant une hotte qui dépasse horizontalement un minimum de 5 po (12,7 cm) au-delà du bas de l'armoire.



Suivre les instructions pour le type d'installation que vous avez

Figure 3 : Construction de la carrosserie

3. Installer les supports antibasculement (voir « Installer le support antibasculement »).

2 Exigences électriques

AVERTISSEMENT

Risque de choc électrique - Une mise à la terre électrique est requise sur cet appareil. Utiliser uniquement le cordon d'alimentation fourni avec cet appareil. Des connexions et une mise à la terre inadéquates peuvent causer un choc électrique, des dommages à l'appareil, des blessures corporelles, un incendie ou la mort.

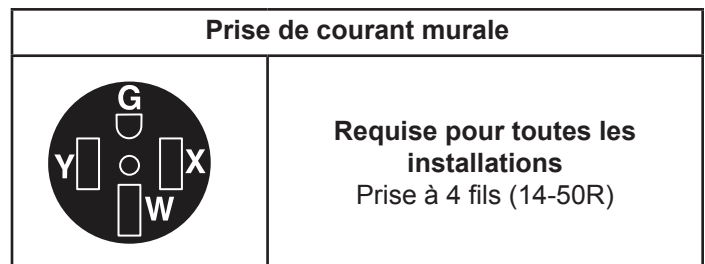
Exigences de mise à la terre

Cet appareil doit être installé et mis à la terre et entretenu par un technicien qualifié.

Aux États-Unis, installer en conformité avec le National Fuel Gas Code ANSI Z223.1/NPFA No. 54, édition la plus récente et le National Electrical Code NFPA No. 70 édition la plus récente, et les exigences du code d'électricité local. Au Canada, installer en conformité avec la CAN/CGA B149.2 et CSA Standard C22.1, Code canadien de l'électricité, Partie 1- éditions les plus récentes et les exigences du code d'électricité local.

Pour votre sécurité personnelle, cet appareil doit être adéquatement mis à la terre. Pour une sécurité maximale, le cordon d'alimentation doit être branché dans une prise électrique de tension adéquate, qui est correctement polarisée et adéquatement mise à la terre en conformité avec les codes locaux. Le consommateur a la responsabilité personnelle d'avoir la prise appropriée avec la prise de courant murale adéquate et correctement mise à la terre installée par un électricien qualifié.

Cet appareil est conçu pour être branché dans une prise de courant murale standard 14-50R.



Lorsque seulement une alimentation électrique CA, 4 fils, monophasée, 240 volt, 60 Hz est disponible, cet appareil requiert une protection de circuit minimale de 40 amp avec fusible des deux côtés de la ligne.

Un disjoncteur ou fusible temporisé est recommandé.

S'assurer que la prise de courant murale est à portée de main de l'emplacement final d'installation de l'appareil.

Ne pas coincer le cordon d'alimentation entre la cuisinière et le mur.

1.1 Installation : Armoire des deux côtés

1. Si la cuisinière sera installée avec une armoire des deux côtés, tracer une ligne centrale sur le plancher entre les armoires (Figure 5).
2. Si l'arrière de la cuisinière ne sera pas collée au mur (l'emplacement de la prise peut ne pas permettre à la cuisinière d'être positionnée contre le mur), tracer une ligne sur le plancher où l'arrière de la cuisinière arrivera.
3. Installer les supports antibasculement (voir « Installer le support antibasculement »).

1.2 Installation : Armoire sur un côté seulement

1. Si la cuisinière sera installée avec une armoire sur un côté seulement, déplacer la cuisinière en position finale.
2. Tracer une ligne sur le plancher le long du côté de la cuisinière qui n'est pas contre l'armoire. Si l'arrière de la cuisinière ne sera pas collée au mur (l'emplacement de la prise peut ne pas permettre à la cuisinière d'être positionnée contre le mur), tracer une ligne sur le plancher où l'arrière de la cuisinière arrivera.
3. Installer les supports antibasculement (voir « Installer le support antibasculement »).

1.3 Installation : Sans armoire

1. Si la cuisinière ne sera installée contre une armoire, déplacer la cuisinière en position finale.
2. Tracer sur le plancher le long des deux côtés de la cuisinière. Si l'arrière de la cuisinière ne sera pas collée au mur (l'emplacement de la prise peut ne pas permettre à la cuisinière d'être positionnée contre le mur), tracer une ligne sur le plancher où l'arrière de la cuisinière arrivera.

3 Cordon d'alimentation

Emplacements recommandés pour l'installation de la prise murale

L'emplacement suggéré de la prise murale est illustré dans la Figure 4 pour les modèles de 30 po et dans la Figure 5 pour les modèles de 36 po. La prise peut aussi être située dans le coin inférieur gauche de l'armoire adjacente de droite, tel qu'illustré dans la Figure 6.

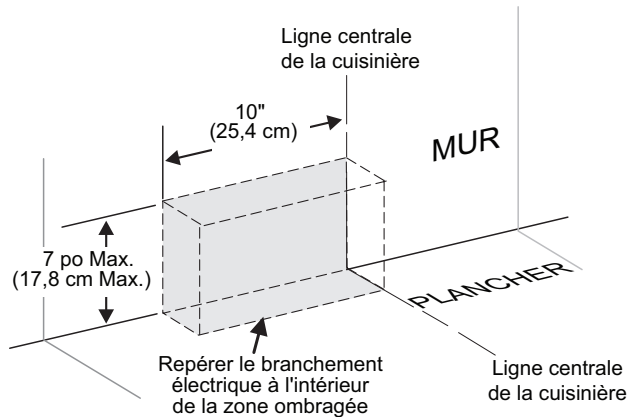


Figure 4 : Emplacement de la prise Modèles 30 po

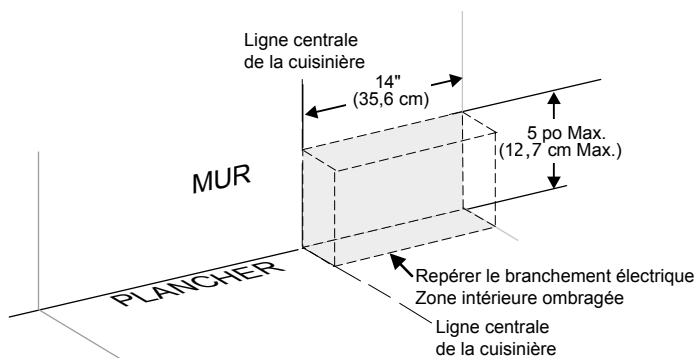


Figure 5 : Emplacement de la prise Modèles 36 po

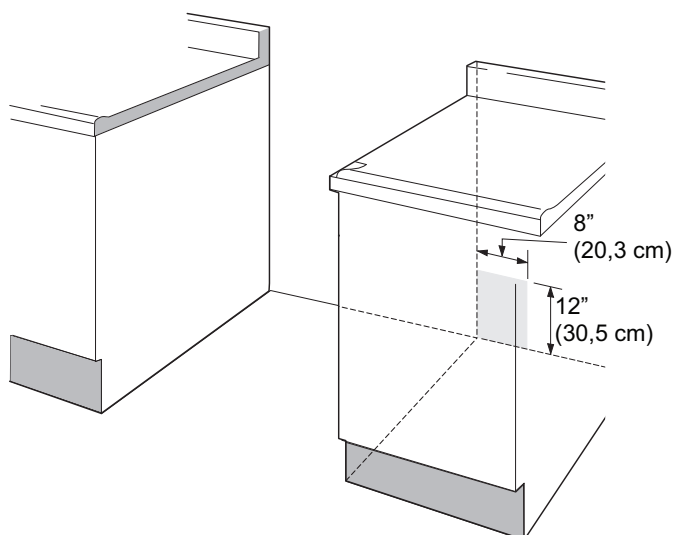


Figure 6 : Emplacement de la prise armoire adjacente

⚠ AVERTISSEMENT

Risque de choc électrique -Ne pas tenter d'installer l'appareil directement à une boîte de jonction, de modifier le cordon installé en usine, ou de connecter un cordon d'alimentation différent à l'appareil. Si la prise murale n'est pas suffisante pour supporter les exigences de cet appareil, il est de la responsabilité du consommateur d'avoir la prise appropriée installée par un électricien. Une installation et des connexions électriques inadéquates peuvent causer un choc électrique, des dommages à l'appareil, des blessures corporelles, un incendie ou la mort.

Cet appareil ménager est équipé d'un cordon d'alimentation 4 fils, connecté en usine (Figure 7). Ce cordon est conçu pour 240 volts, 40 amps, et une température nominale de 194 °F (90 °C). Ce cordon est en conformité avec UL/CSA et a été testé et approuvé pour être utilisé avec cet appareil ménager.

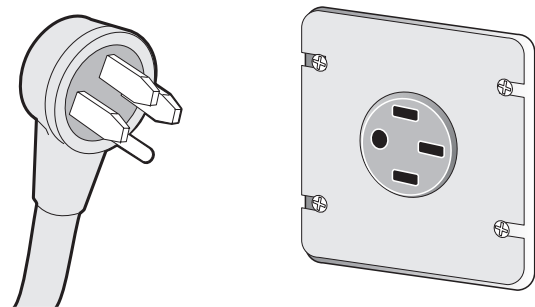


Figure 7 : Cordon d'alimentation connecté en usine

Caractéristiques nominales de l'appareil*		Caractéristiques nominales de l'alimentation
120/240 Volts	120/208 Volts	Amps
1-10 kW	0-7.6 kW	30
8,8-16,5 kW	7,8-12,5 kW	40 ou 50
16,6-22,5 kW	12,6-18,5 kW	50
* La charge NEC calculée est moins que la charge connectée totale listée sur la plaque de série.		

4 Exigences d'alimentation en combustion

Cet appareil est conçu pour fonctionner à une pression d'admission de gaz naturel de 4 po (10,16 cm) de colonne d'eau (1,0 kPa).

Un régulateur de pression convertible est connecté au manifold de la cuisinière et DOIT être connecté en série avec la ligne d'alimentation de gaz. Le régulateur est situé tel qu'illustré sur la Figure 8 et est accessible à partir de l'avant de la cuisinière.

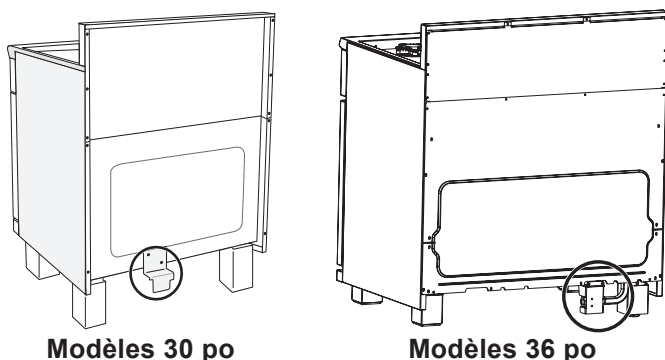


Figure 8 : Emplacements du régulateur

Pour un fonctionnement approprié, la pression d'admission maximale au régulateur devrait être pas plus que 14 po (35,56 cm) de pression de colonne d'eau (3,5 kPa).

La pression d'admission au régulateur doit être au moins 1 po (0,25 kPa) plus grande que le réglage de la pression d'admission du régulateur. Le régulateur est réglé pour une pression d'admission de gaz naturel de 4 po (10,16 cm) de colonne d'eau (1,0 kPa), la pression d'admission doit être au moins 5 po (12,60 cm) de colonne d'eau (1,25 kPa) gaz naturel.

Pour un fonctionnement à 2 000 pi. au dessus du niveau de la mer, les caractéristiques nominales sont réduites de 4 pourcent pour chaque 1 000 pi. supplémentaire.

4.1 Emplacement de l'alimentation en gaz

La tuyauterie de l'alimentation en gaz peut être à travers le mur latéral de l'armoire de droite. L'armoire du côté

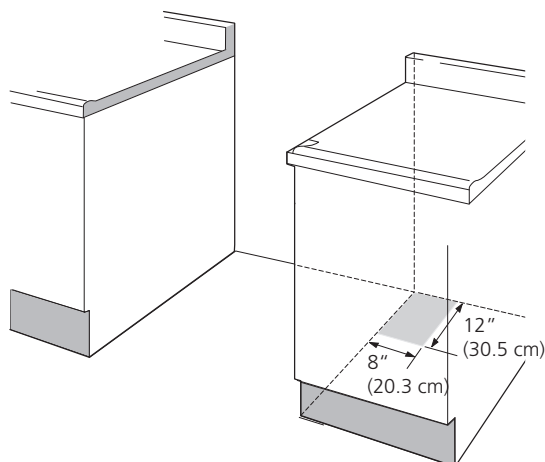


Figure 9 : Emplacement d'alimentation de gaz recommandé

droit est un emplacement idéal pour le robinet d'arrêt principal, si la cuisinière est installée en dedans de l'espace de rangement de l'armoire.

4.2 Robinet d'arrêt

La ligne d'alimentation devrait être équipée d'un robinet d'arrêt approuvé tel qu'illustré dans la Figure 10. Ce robinet devrait être situé dans la même pièce que la cuisinière et devrait être dans un emplacement qui permet une ouverture et une fermeture faciles. Ne pas bloquer l'accès au robinet d'arrêt. Le robinet sert à ouvrir ou à fermer le gaz vers l'appareil.

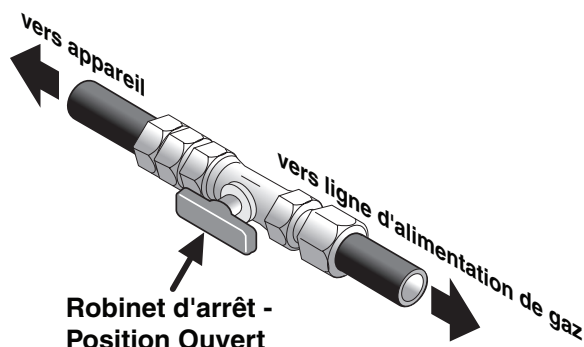


Figure 10 : Robinet d'arrêt

L'alimentation de gaz entre le robinet d'arrêt et le régulateur peut être connectée par un tuyau rigide ou par un tuyau avec raccord union métallique flexible approuvé A.G.A./C.G.A là où les codes locaux le permettent.

L'utilisateur doit connaître l'emplacement du robinet d'arrêt principal et avoir un accès facile à celui-ci.

4.3 Conversion au Gaz de pétrole liquéfié (PL).

Cet appareil permet une conversion au Gaz de pétrole liquéfié (PL).

⚠ AVERTISSEMENT Des blessures corporelles ou la mort suite à un choc électrique peuvent se produire si la conversion au gaz PL n'est pas faite par un installateur qualifié ou un électricien. Tous les ajouts, changements ou conversions requis afin que cet appareil satisfasse les besoins de l'application doivent être effectués par un technicien qualifié.

Si une conversion PL est requise, communiquer avec votre fournisseur de gaz PL pour de l'assistance. La trousse de conversion PL est fournie avec cet appareil et est située sur le panneau ARRIÈRE inférieur (côté arrière) de la cuisinière. Avant d'installer la trousse, s'assurer de lire les Instructions d'installation PL et les suivre méticuleusement lors de l'installation.

Pour le gaz PL/Propane, le régulateur doit être réglé pour une pression d'admission de 10 po (25,4 cm) de colonne d'eau (2,5 kPa), la pression d'admission doit être au moins 11 po (27,9 cm) de colonne d'eau (2,75 kPa).

5 Connecter l'alimentation en combustion

5.1 Connexion de l'alimentation en combustion

⚠ AVERTISSEMENT Cet appareil doit être installé, mis à la terre et entretenu par un installateur qualifié ou par un technicien de service.

⚠ ATTENTION Ne pas trop serrer les connexions. Le régulateur est moulé sous pression. Trop serrer peut faire craquer le régulateur ce qui causerait une fuite de gaz et un possible incendie ou explosion.

Cet appareil inclut un régulateur. La ligne d'alimentation en gaz requiert les pièces suivantes qui ne sont pas fournies avec l'appareil.

- Robinet d'arrêt manuel
- Mamelon 1/2 po (2)
- Adaptateur de raccord évasé 1/2 po (2)
- Connecteur flexible

La ligne d'alimentation en gaz vers le robinet d'arrêt devrait être un tuyau non perforé de 1/2 po (1,27 cm) ou 3/4 po (1,9 cm).

Installer le tuyau d'alimentation en gaz au régulateur de pression dans l'ordre décrit dans la Figure 11. Toutes les connexions devraient être serrées avec une clé.

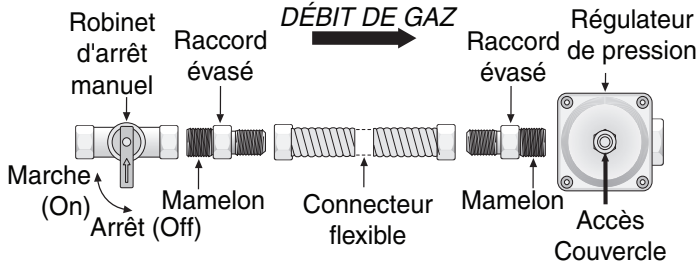


Figure 11 : Connexion d'écoulement de l'alimentation en combustion

Lorsqu'un conduit de gaz flexible est utilisé sur la cuisinière, laisser suffisamment de lâche pour tirer la cuisinière à l'extérieur de la découpe pour le nettoyage et le service.

Utiliser de la pâte à joint prévue pour être utilisée avec le gaz naturel et PL/Propane pour sceller toutes les connexions de gaz. Si des connecteurs flexibles sont utilisés, s'assurer que les connecteurs ne sont pas entortillés.

Ne pas laisser le conduit flexible se pincer entre le mur et la cuisinière.

5.2 Vérification des fuites

⚠ AVERTISSEMENT Ne pas utiliser une flamme pour vérifier les fuites des connexions de gaz. Vérifier les fuites avec une flamme peut causer un incendie ou une explosion.

Après avoir connecté la cuisinière à l'alimentation en gaz, vérifier le système pour la présence de fuites avec un manomètre. Si un manomètre n'est pas disponible, ouvrir l'alimentation en gaz et utiliser un détecteur de fuite liquide (ou du savon et de l'eau) sur tous les joints et connexions pour vérifier la présence de fuites. Les fuites seront indiquées par des bulles qui apparaissent au niveau des connexions ou des joints.

Toutes les ouvertures dans le mur ou le plancher où la cuisinière sera installée doivent être scellées.

1. Serrer toutes les connexions si nécessaire afin d'empêcher une fuite de gaz dans la surface de cuisson ou la ligne d'alimentation.
2. Déconnecter cette cuisinière et son robinet d'arrêt individuel du système de tuyauterie d'alimentation en gaz durant tout test de pression du système à des pressions de test supérieures à 1/2 psig (3,5 kPa ou 14 po (35,56 cm) de colonne d'eau).
3. Isoler la cuisinière du système de tuyauterie d'alimentation en gaz en fermant son robinet d'arrêt individuel durant tout test de pression du système de tuyauterie d'alimentation en gaz à des pressions de test égales à ou inférieures à 1/2 psig (3,5 kPa ou 14 po (35,56 cm) de colonne d'eau).

6 Installer les grilles du four

6.1 Modèles 30 po - Supports latéraux de grilles

Pour faciliter l'installation des supports de grilles du four en porcelaine, appliquer une mince couche d'huile à cuisson à toutes les dents des supports tel qu'illustré dans la Figure 12.

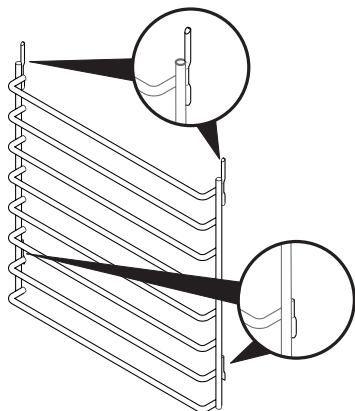


Figure 12 : Supports latéraux de grille- zones de huilage

1. Tenir le support de grille du four à un léger angle et insérer les dents dans les trous sur le dessus de la cavité du four (Figure 13).
2. Soulever la grille dans les trous supérieurs, en alignant les dents inférieures avec les trous inférieurs (Figure 13).

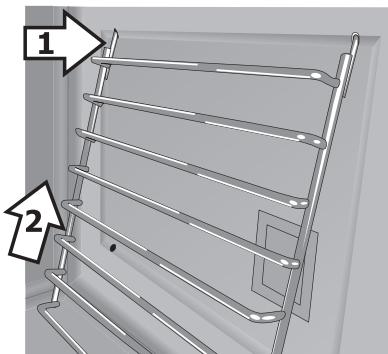


Figure 13 : Supports latéraux de grille- dents supérieures

3. Une fois les dents supérieures en place, tenir le support de grille du four à égalité avec le côté du four et insérer les dents inférieures dans les trous inférieurs (Figure 14).
4. Glisser les dents inférieures vers le bas dans les trous inférieurs. Une certaine force peut être requise pour mettre la grille en place (Figure 14).

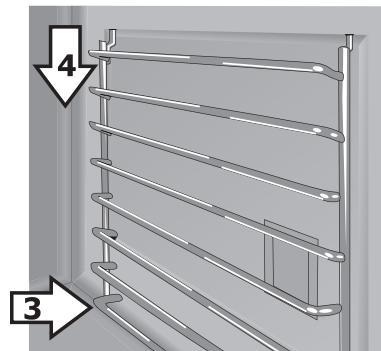


Figure 14 : Supports latéraux de grille- dents inférieures

6.2 Modèles 30 po - Grilles coulissantes

Les grilles coulissantes s'installent comme les autres grilles du four.

L'arrêt de la grille coulissante (Figure 15) doit être à l'intérieur du support latéral pour que la grille entre et sorte adéquatement.

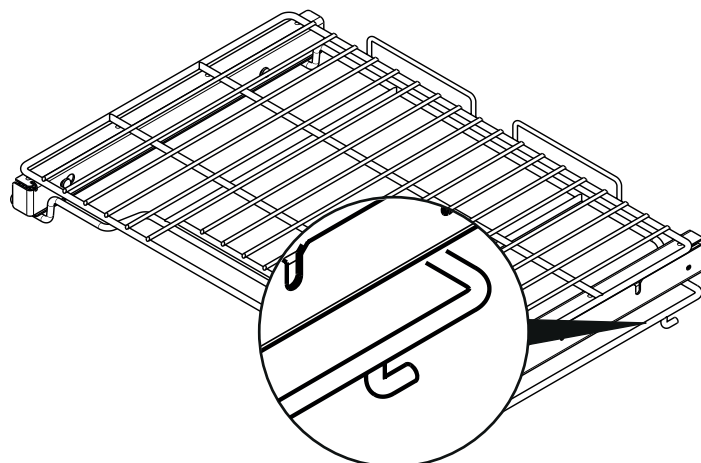


Figure 15 : Arrêt de la grille coulissante

Placer la grille du four sur les supports de grille. Incliner l'arrière de la grille légèrement vers le haut pour mettre l'arrêt en place à l'intérieur du support latéral. Remettre la grille du four en place.

S'assurer de glisser la grille complètement de sorte que l'arrière de la grille arrête en atteignant le support vertical de la grille latérale.

Pour empêcher tout dommage possible au four, ne pas tenter de fermer la porte du four jusqu'à ce que toutes les grilles du four soient positionnées complètement à l'intérieur de la cavité du four.

6.3 Modèles 36 po - Supports latéraux de grilles

1. Enlever les vis à serrage à main situées de chaque côté de la cavité du four (voir Figure 16).

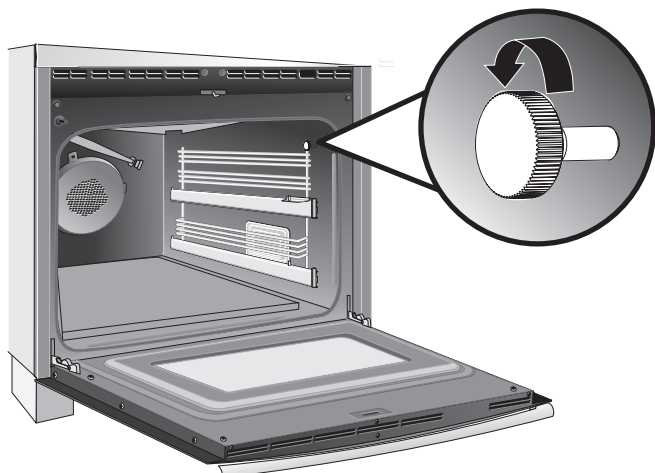


Figure 16 : Vis à serrage à main Grille latérale

2. Placer les grilles latérales dans les crochets de support situés sur les côtés du four (voir Figure 17).



Figure 17 : Supports Grille latérale

3. Remettre les vis enlevées dans l'Étape 1.

6.4 Modèles 36 po - Grilles coulissantes

Sur les modèles 36 po, les rails de glissement pour les grilles coulissantes du four sont préinstallés sur les supports de grille latéraux (voir Figure 18).

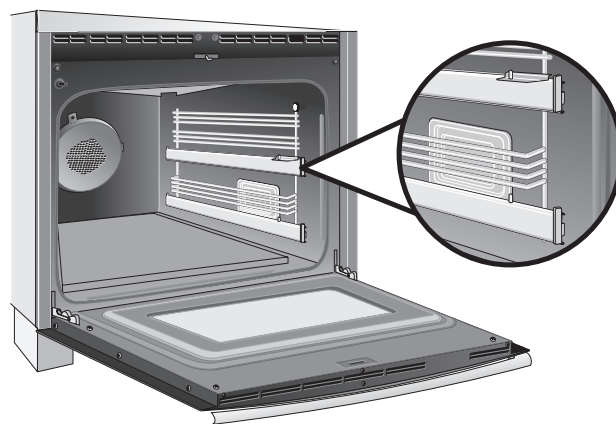


Figure 18 : Glisseurs Grille latérale

Les grilles coulissantes apparaissent un peu différentes que les grilles plates (voir Figure 19). Seulement les grilles coulissantes peuvent être installées sur les rails de glissement.

1. Étendre complètement les deux glisseurs du bas hors du four.
2. Placer la grille coulissante sur les glisseurs.
3. Près de l'arrière de la grille, mettre la fente de grille dans les onglets du rail. Près de l'avant de la grille, mettre la goupille de grille dans le trou sur le rail (voir Figure 19).
4. Une fois la grille installée, elle peut être sortie ou entrée dans la cavité du four sur les rails de glissement. Répéter pour les glisseurs du haut.

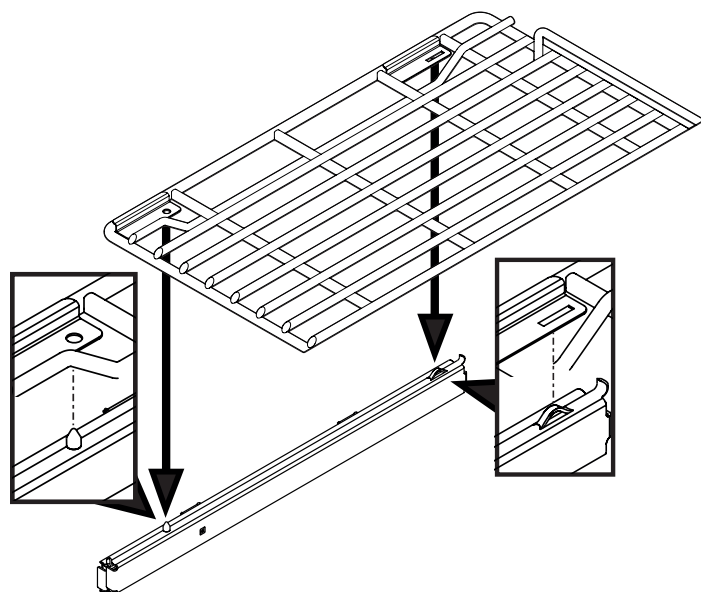


Figure 19 : Installer les grilles coulissantes

Les grilles coulissantes ne peuvent être utilisées que dans ces positions. Les grilles peuvent être enlevées des rails et utilisées comme une grille plate régulière sur toutes les autres positions de grille.

Insérer les grilles plates régulières du four dans toute position désirée.

7 Mettre la cuisinière de niveau

Mettre de niveau la cuisinière et définir la hauteur de la surface de cuisson avant l'installation dans l'ouverture découpée (si applicable).

1. Installer une grille de four dans le centre du four.
2. Placer un niveau sur la grille (Figure 20). Prendre 2 lectures avec le niveau placé diagonalement dans une direction puis dans l'autre.

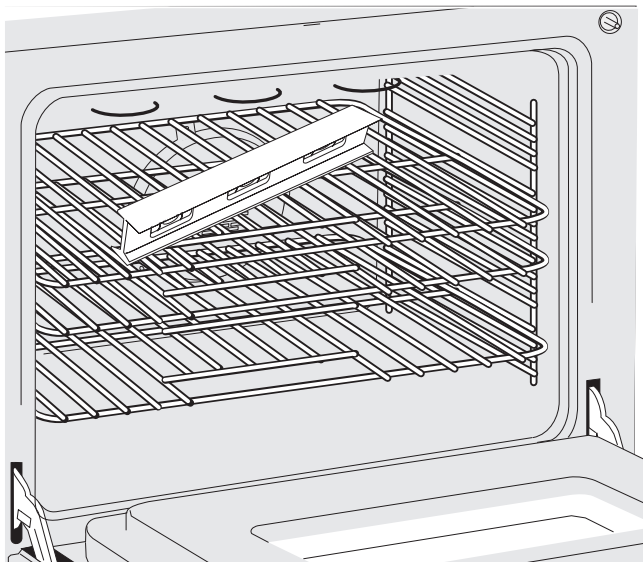


Figure 20 : Utiliser les grilles du four pour mettre l'appareil de niveau

3. Mettre à niveau la cuisinière, si nécessaire, en ajustant les 4 pieds de mise à niveau avec une clé (Figure 21).

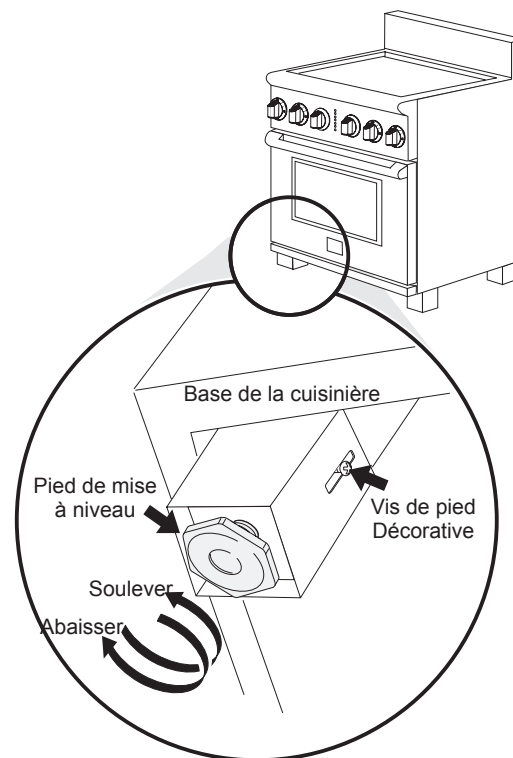


Figure 21 : Ajuster la hauteur de l'appareil

4. Glisser la cuisinière dans l'ouverture découpée et vérifier de nouveau la mise à niveau. Si la cuisinière n'est pas de niveau, retirer l'unité et ajuster de nouveau les pieds de mise à niveau, ou s'assurer que le plancher est de niveau.

8 Installer le support antibasculement

⚠ AVERTISSEMENT Afin de réduire le risque de basculement de l'appareil, l'appareil doit être fixé de façon sécuritaire au plancher avec le support antibasculement adéquatement installé et les vis fournies avec la cuisinière. Ces pièces sont situées dans le four. Ne pas installer le support antibasculement permettra à la cuisinière de basculer si un poids excessif est placé sur une porte ouverte ou si un enfant grimpe dessus. Des blessures graves peuvent être causées par un renversement de liquides chauds ou par la cuisinière elle-même.

Si jamais la cuisinière est déplacée dans un endroit différent, les supports antibasculement doivent aussi être déplacés et installés avec la cuisinière.

Outils requis :

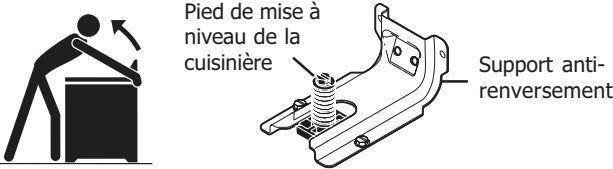
- Clé à molette
- Rochet
- Perceuse & mèche 1/8 po (0,32 cm)
- Tournevis à douille 5/16 po (0,8 cm)
- Niveau



⚠ AVERTISSEMENT
Risque de basculement

- Un enfant ou un adulte peut faire basculer la cuisinière et en décéder.
- Vérifiez que le dispositif anti-renversement a été fixé au plancher ou au mur.

- Assurez-vous d'enclencher le dispositif anti-renversement lorsque la cuisinière est déplacée sur le plancher ou contre le mur.
- Ne faites pas fonctionner la cuisinière si le dispositif anti-renversement n'est pas en place et enclenché.
- Le non-respect de ces instructions peut causer des blessures fatales ou de graves brûlures aux enfants et aux adultes.



Pied de mise à niveau de la cuisinière

Support anti-renversement

Pour vérifier si le support anti-renversement est correctement installé, attrapez le bord arrière de la cuisinière à deux mains. et essayez doucement de faire basculer la cuisinière vers l'avant. Lorsque le support est correctement installé, la cuisinière ne doit pas basculer vers l'avant.

Reportez-vous aux instructions d'installation du support anti-renversement fournies avec la cuisinière pour vous assurer que l'installation est effectuée de façon appropriée.

8.1 Repérer le support en utilisant le gabarit

Le support peut être situé sur le côté gauche ou droit de la cuisinière. Marquer le plancher ou le mur là où le côté gauche ou droit de la cuisinière sera situé.

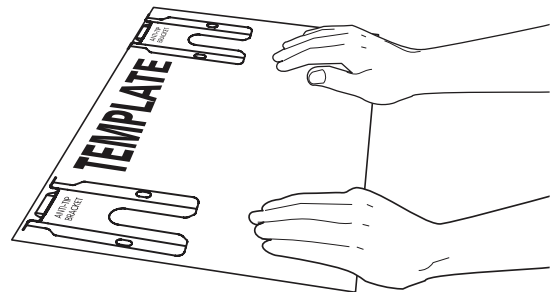


Figure 22 : Gabarit du support

Si l'arrière de la cuisinière est contre le mur ou pas plus loin que 1/2 po (1,3 cm) du mur lorsqu'installé, vous pouvez utiliser la méthode de montage au mur ou au plancher. Si une moulure est installée et ne permet pas que le support soit tout contre le mur, enlever la moulure ou monter le support au plancher.

Pour un montage mural, repérer le support en plaçant le bord arrière du gabarit contre le mur arrière et le bord latéral du gabarit sur la marque faite référençant le côté de la cuisinière. Placer le support sur le dessus du gabarit et marquer l'emplacement des trous de vis dans le mur.

Si l'arrière de la cuisinière est plus loin que 1/2 po (1,3 cm) du mur lorsqu'installé, attacher le support au plancher. Pour un montage sur plancher, repérer le support en plaçant le bord arrière du gabarit là où l'arrière de la cuisinière sera situé.

Marquer l'emplacement des trous de vis illustrés dans le gabarit.

8.2 Percer des trous de guidage et serrer le support

Percer un trou de guidage de 1/8 po là où les vis sont situées. Si un support doit être monté au mur, percer un trou de guidage à un angle vers le bas d'environ 20°. Si le support doit être monté sur de la maçonnerie ou des planchers de céramique, percer un trou de guidage de 3/16 po (4,8 mm) avec 1-3/4 po de profondeur.

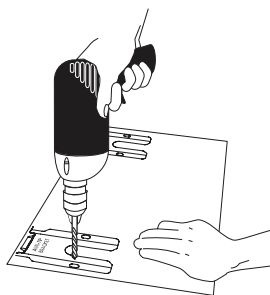


Figure 23 : Percer des trous de guidage

Les vis fournies peuvent être utilisées dans du bois ou du béton. Utiliser un tournevis à douille de 5/16 po ou un tournevis à tête plate pour fixer le support en place.

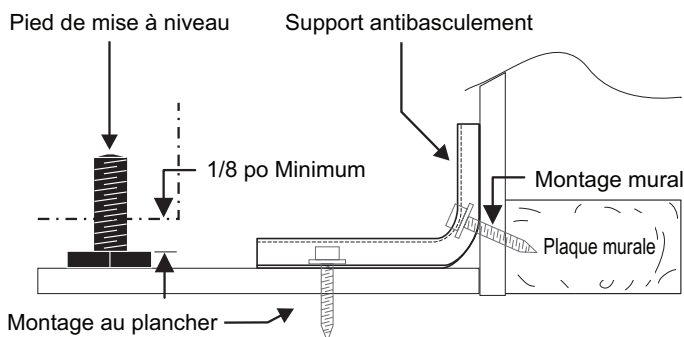


Figure 24 : Attacher le support

8.3 Vérifier le niveau et positionner la cuisinière

Vérifier le niveau de l'installation finale. Remarque : Un dégagement minimum de 1/8 po est requis entre le bas de la cuisinière et le pied de mise à niveau pour laisser de la place au support. Utiliser un niveau à bulle d'air pour vérifier vos ajustements.

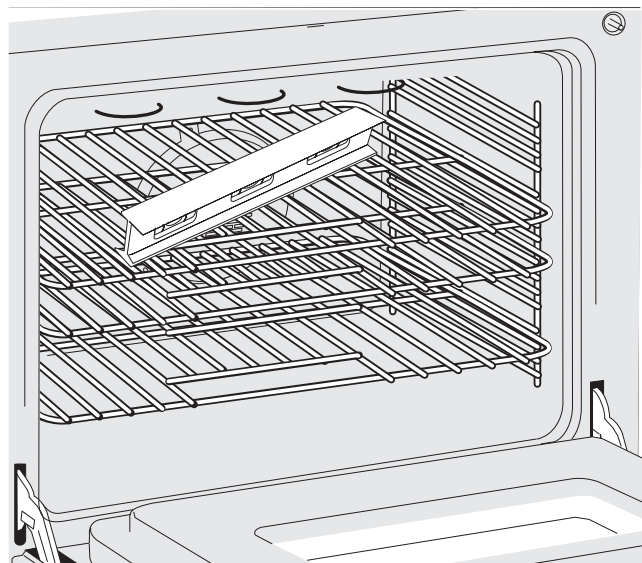


Figure 25 : Utiliser les grilles du four pour mettre l'appareil de niveau

Glisser la cuisinière en position.

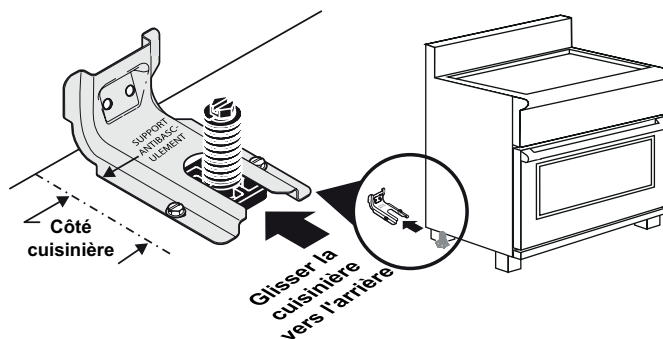


Figure 26 : Glisser la cuisinière dans le support.

Pour vérifier si le support antibasculement est installé correctement, utiliser vos deux bras et agripper le bord arrière de la cuisinière. Tenter doucement de pencher la cuisinière vers l'avant. Lorsqu'installé correctement, la cuisinière ne devrait pas pencher vers l'avant.

Si la cuisinière est déplacée dans un endroit différent, les supports antibasculement doivent aussi être déplacés et installés avec la cuisinière.

9 Installer les assemblages de brûleur

ATTENTION Pour empêcher les embrasements utiliser la surface de cuisson avec tous les couvercles de brûleur installés correctement.

9.1 Brûleurs scellés standards

Placer un couvercle de brûleur sur chaque tête de brûleur, en faisant correspondre la taille du couvercle avec la taille de la tête.

Le couvercle pour chaque brûleur a un anneau de centrage intérieur qui centre le couvercle correctement sur la tête du brûleur. S'assurer que chaque couvercle de brûleur soit correctement aligné et de niveau. Les brûleurs peuvent ne pas s'allumer ou brûler uniformément si les couvercles de brûleur ne sont pas placés correctement sur la tête.

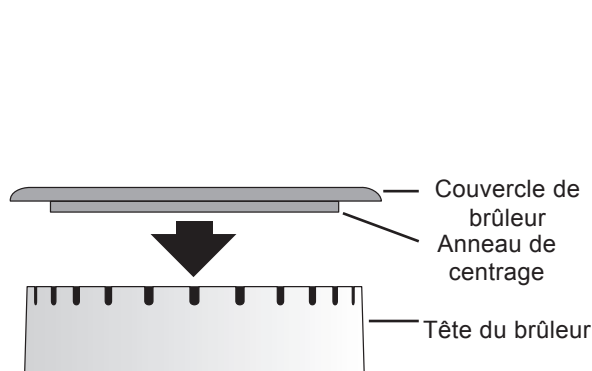


Figure 27 : Assemblage du couvercle de brûleur

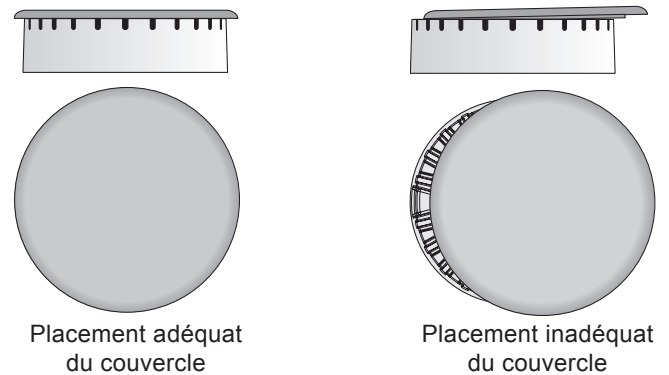


Figure 28 : Placement du couvercle de brûleur

9.2 Brûleurs de spécialité

Installer les brûleurs de spécialité tel qu'illustré dans la Figure 29.

Lorsque l'anneau du brûleur est assis correctement, il cliquera en place. Lorsque le couvercle du brûleur est mis correctement en place il ne devrait pas bouger hors de la zone renfoncée de la tête du brûleur.

Pour allumer correctement, l'onglet d'alignement de l'anneau du brûleur doit être ajusté dans la fente de l'onglet d'alignement de la base du brûleur. S'assurer que le couvercle et l'anneau du brûleur sont fixés de façon sécuritaire avant de tenter l'allumer le brûleur.

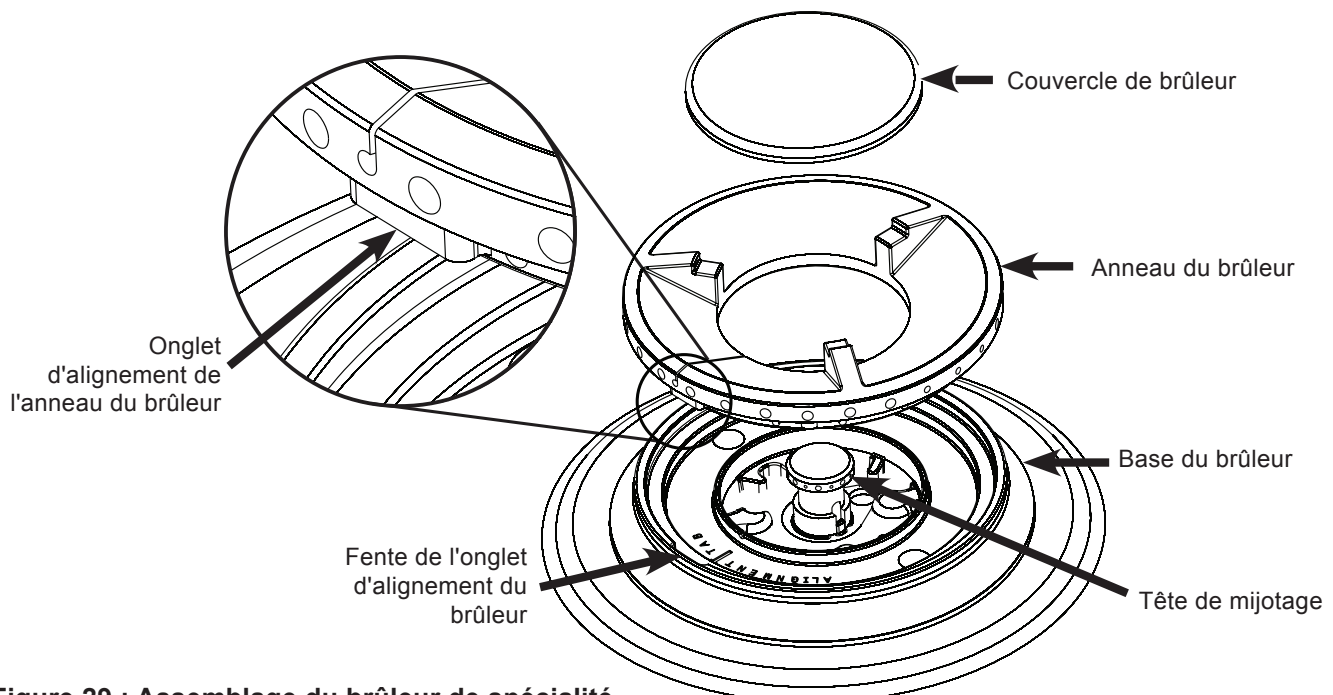


Figure 29 : Assemblage du brûleur de spécialité

9.3 Vérifier l'allumage sur les brûleurs de surface

Le fonctionnement des allumeurs électriques devrait être vérifié après que la cuisinière et les connecteurs de la ligne d'alimentation ont été soigneusement vérifiés pour la présence de fuites et que la cuisinière a été connectée à l'alimentation électrique. Pour s'assurer que l'allumage est approprié :

1. Pousser et tourner le bouton d'un brûleur de surface à la position formation d'étincelles. Tous les igniteurs de surface électroniques feront des étincelles en même temps. Seulement le brûleur que vous mettez en marche s'allumera.
2. Le brûleur de surface devrait s'allumer une fois que le débit de gaz a atteint le brûleur de surface. Chaque brûleur devrait s'allumer en dedans de quatre (4) secondes dans un fonctionnement normal après que l'air ait été purgé des lignes d'alimentation. Vérifier visuellement que le brûleur s'est allumé.
3. Une fois que le brûleur s'est allumé, le bouton de commande devrait être tourné à la position LITE.

Allumer chacun des brûleurs de surface et s'assurer qu'ils sont allumés correctement et que les flammes sont uniformes. Ajuster les réglages si nécessaire.

9.4 Ajuster les réglages bas sur les brûleurs de surface

Pour ajuster le réglage bas sur les brûleurs de surface :

1. Pousser et tourner le bouton à LITE jusqu'à ce que le brûleur s'allume.
2. Tourner rapidement le bouton à LOWEST POSITION.
3. Si le brûleur s'éteint, remettre le bouton à OFF.
4. Enlever le bouton de commande du brûleur de surface et la bague décorative.
5. Insérer un tournevis à lame mince dans la tige vide de soupape et engager la vis fendue à l'intérieur. La taille de la flamme peut être augmentée ou diminuée en tournant la vis.

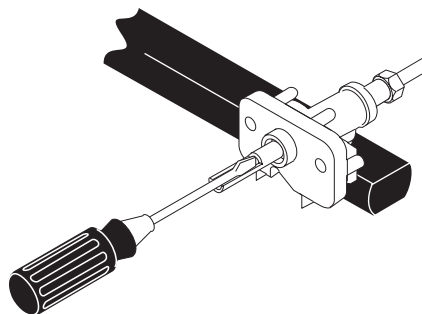


Figure 30 : Tourner pour ajuster la flamme de surface

6. Ajuster la flamme jusqu'à ce vous puissiez tourner rapidement le bouton de la position formation d'étincelles jusqu'à la position de flamme la plus basse sans éteindre la flamme. La flamme devrait être aussi petite que possible sans s'éteindre.

Remarques :

- L'ajustement du mélange d'air n'est pas requis sur les brûleurs de surface.
- Certains modèles ont deux flammes sur chaque brûleur. La flamme du centre sur ces brûleurs n'est pas ajustable.

10 Vérifier le fonctionnement du four

Consulter le Guide Utilisation et Entretien emballé avec la cuisinière pour les instructions de fonctionnement et pour l'entretien et le nettoyage de votre cuisinière.

Enlever tout l'emballage du four avant de tester.

Le four est équipé d'une commande électronique du four. Chacune des fonctions a été vérifiée à l'usine avant l'expédition. Toutefois, il est suggéré de vérifier le fonctionnement des commandes électroniques du four une autre fois. Consulter le Guide du propriétaire pour le fonctionnement. Suivre les instructions pour l'Horloge, la Minuterie, la Cuisson, le Grill, la Convection et les fonctions de Nettoyage.

Cuisson—Après avoir réglé le four à 350 °F (177 °C) pour la cuisson, le plancher de la cavité du four devrait devenir chaud.

Grill—Lorsque le four est réglé à GRILL, l'élément supérieur dans le four devrait devenir rouge.

Nettoyage—Lorsque le four est réglé pour un cycle autonettoyage, l'élément supérieur devrait devenir rouge durant la portion préchauffage du cycle. Après avoir atteint la température d'autonettoyage, le plancher de la cavité du four devrait devenir chaud.

Convection—Lorsque le four est réglé à CONV. CUIRE/ RÔTIR à 350 °F (177 °C), les deux éléments s'allument et s'éteignent de façon alternative et le ventilateur de convection tournera. Le ventilateur de convection arrêtera de tourner lorsque la porte du four est ouverte durant la cuisson ou rôtisserie de convection.

11 Après l'installation

Lorsque tous les branchements sont complétés

S'assurer que toutes les commandes sont en position OFF.

Emplacement du numéro de modèle et de série

La plaque de série est située sur le dessus du panneau avant inférieur de la cuisinière, et peut être vue clairement lorsque la porte est ouverte. Lors de la commande de pièces ou pour toutes questions au sujet de votre cuisinière, avoir les numéros de modèle et de série à portée de main. (Figure 31).

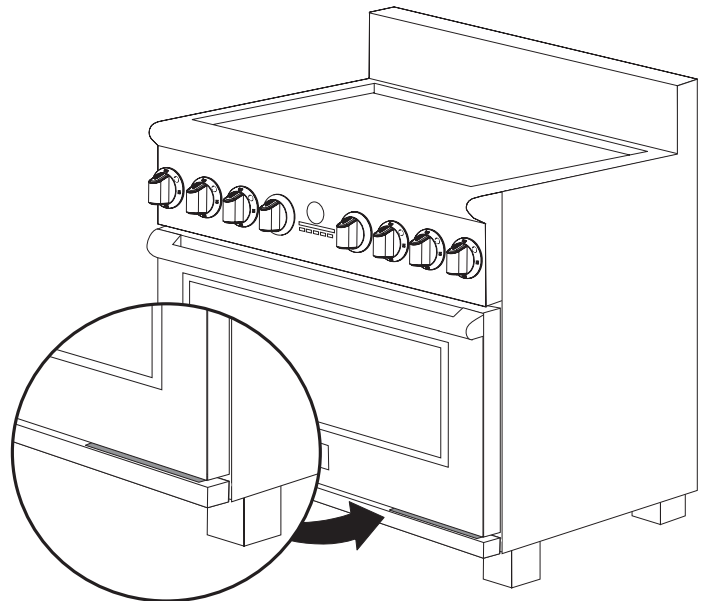


Figure 31 : Emplacement du numéro de modèle et de série

Avant d'appeler pour du service

Lire la Liste de vérification pour éviter le service et les instructions de fonctionnement dans votre Guide du propriétaire. Ceci peut vous sauver du temps et des dépenses. La liste inclut les circonstances habituelles qui ne sont pas le résultat de défaut de matériel ou de fabrication dans cet appareil.

Consulter l'information sur la garantie et le service dans votre Guide du propriétaire pour notre numéro de téléphone et adresse. Veuillez appeler ou écrire si vous avez des questions au sujet de votre cuisinière et/ou si vous devez commander des pièces.

