

30" Dual-Fuel Freestanding Range

professional series

E30DF74TPS



PRODUCT DIMENSIONS

Height	41-5/8"
Width	29-7/8"
Depth	27-1/2"

MORE EASY-TO-USE FEATURES

Extra-Large Oven Capacity

Spacious 4.6 cubic foot interior gives you all the cooking space you need.

Continuous Grates

Designed for cooking multiple dishes at varying temperatures on a single cooktop, continuous grates allow you to move even the heaviest pots and pans from burner to burner with the utmost ease.

Signature Cobalt Blue Interior

Signature Features



Smooth-Glide® Oven Racks

Ball bearing oven racks glide with unparalleled ease and extend fully for effortless access.



Min-2-Max Burners®

With the widest range of BTU performance in the industry, these best-in-class dual-flame sealed burners offer unrivaled versatility — from a roaring 18,000-BTU boil to a gentle 1,100-BTU simmer.

BURNER	BTU
Right Front	18,000 – 1,100
Right Rear	5,000 – 850
Left Front	18,000 – 1,100
Left Rear	14,000



CustomConvect³™ Convection Technology

Distributes heat evenly throughout the oven by adding a third cooking element plus variable speed fans.



Flexible Cooktop Configuration

The cooktop offers a wide range of burner sizes, giving you more flexibility so you can create a multi-course meal at once.

30" Dual-Fuel Freestanding Range

E30DF74TPS professional series



30" DUAL-FUEL FREESTANDING RANGE

CONTROL PANEL FEATURES

Manual Oven Control	Yes
Professional-Style Stainless Steel Console	Yes
Large Professional Skirted Knobs with Bezel	Yes

RANGETOP FEATURES

Min-2-Max Burners® (BTU)	2 (18,000 – 1,100)
Sealed Power Burner™ (BTU)	1 (14,000)
Sealed Precision Burner™ (BTU)	1 (5,000 – 850)
Continuous Grates	Yes
Electronic Ignition	Yes

OVEN CAVITY FEATURES

Capacity	4.6 Cu. Ft.
Bake Element (Watts)	2,500
Broil Element (Watts)	4,000
Convection Element (Watts)	2,500
Signature Cobalt Blue Oven Interior	Yes
CustomConvect ³ ™ Convection System	Yes
Self-Clean with Door Lock	Yes
Large Oven Window	Yes
Halogen Oven Light	Yes
Eight-Pass Bake & Broil	Yes
Smooth-Glide® Oven Racks	2
Conventional Rack	1
Hidden Bake Element	Yes

ADDITIONAL FEATURES

Stainless Steel Backsplash	6"
Full Stainless Steel Side Panels	Yes
Professional Handle	Yes
Fully Adjustable Leveling Legs	Yes

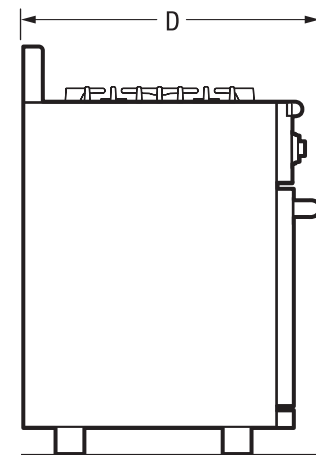
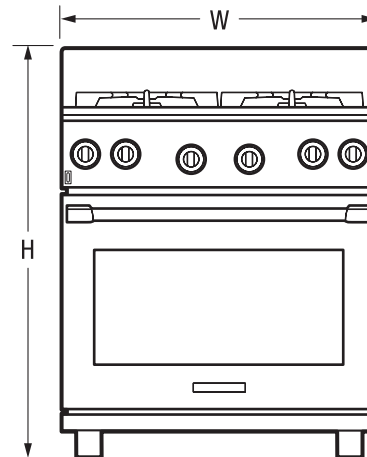
ACCESSORIES

Broiler Pan and Insert	Included
Stainless Steel Cleaner	Included
Wok Ring	Included

SPECIFICATIONS

Gas Supply Connection Location	Right Bottom Rear
Power Supply Connection Location	Middle Bottom Right
Amps @ 240/208 Volts	21/19
Minimum Circuit Required (Amps)	30
Connected Load (kW Rating) @ 240/208 Volts	5.0/3.8
LP Gas Conversion Kit	Included
Shipping Weight (Approx.)	300 Lbs.

NOTE: Always consult local and national electric and gas codes. Refer to Product Installation Guide for detailed installation instructions on the web at electroluxicon.com. Specifications subject to change.



PRODUCT DIMENSIONS

Height (Adjustable)	41-5/8"
Width	29-7/8"
Depth (Including Handle)	28-1/2"
(with Door 90° Open)	46-1/4"

Electrolux Major Appliances, N.A.

USA • 10200 David Taylor Drive • Charlotte, NC 28262 • 1-877-4electrolux (1-877-435-3287) • electroluxicon.com
 CANADA • 5855 Terry Fox Way • Mississauga, ON L5V 3E4 • 1-800-265-8352 • electroluxicon.ca

E30DF74TPS 07/17

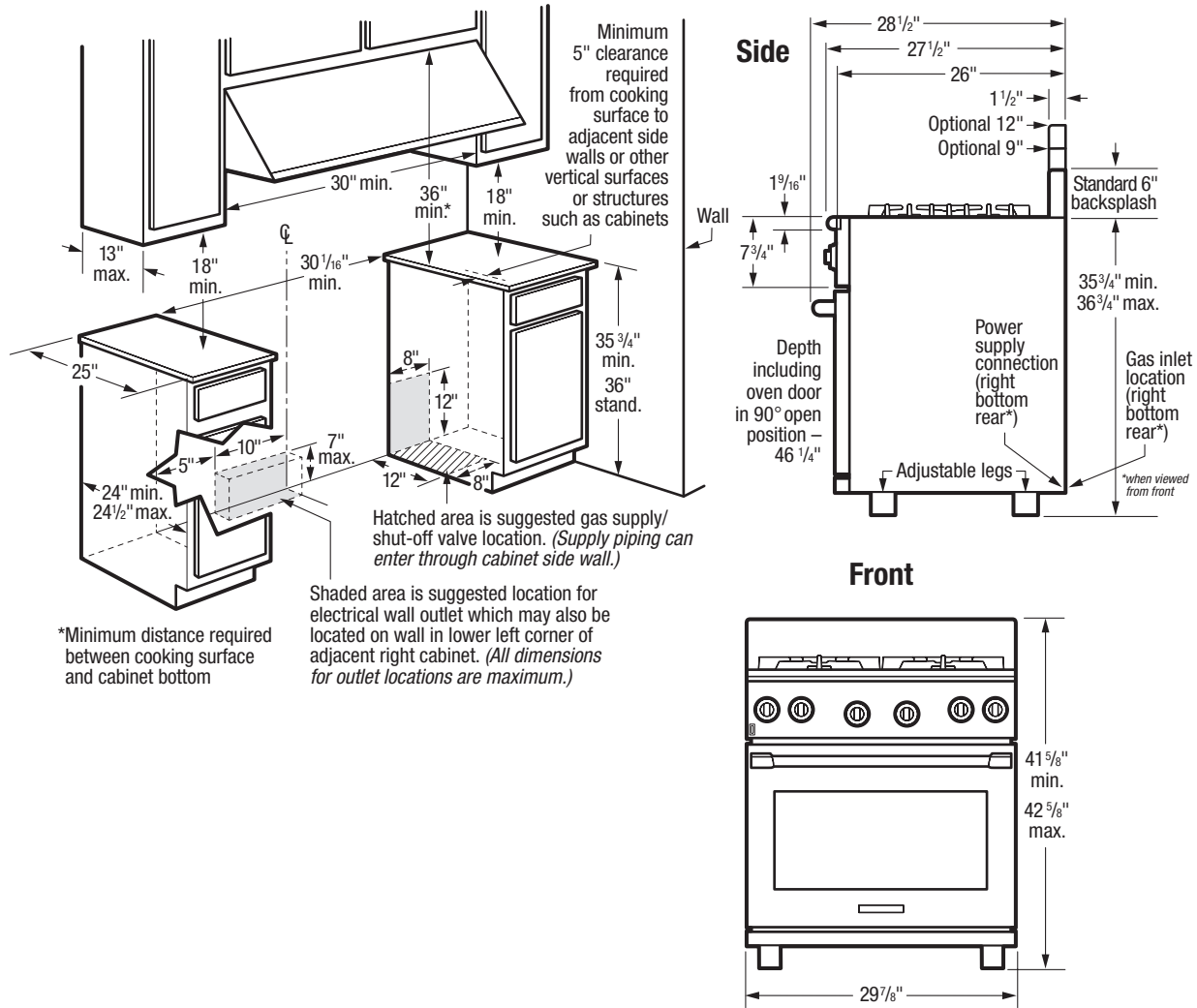
© 2017 Electrolux Home Products, Inc.



High standards of quality at Electrolux Home Products, Inc. mean we are constantly working to improve our products. We reserve the right to change specifications or discontinue models without notice.

30" Dual-Fuel Freestanding Range

E30DF74TPS professional series



30" Dual-Fuel Freestanding Range Specifications

- Product Weight – 275 Lbs.
- Single phase 4-wire cable, 240 Volt, 60 Hertz AC only electrical supply with ground required on separate circuit fused on both sides of line.
- Connected Load (kW Rating) @ 240/208 Volts = 5.0/3.8 kW
- Amps @ 240/208 Volts = 21 / 19 Amps
- Recommended Circuit Breaker – 40 Amps
- Always consult local and national electric and gas codes.
- Make sure wall coverings around range can withstand heat generated by range.
- Linoleum or any other synthetic floor covering located beneath range, must be capable of withstanding minimum heat of 90° F above room temperature without shrinking, warping or discoloring. Insulating pad or 1/4" thick plywood required between range and a carpeted floor.
- Do not obstruct flow of combustion air at oven vent nor around base or beneath lower front panel of range. Range requires fresh air for proper burner combustion.
- Do not install range beneath any downward-blowing, overhead vent hood or air curtain.

- Range ships with 3/4" factory regulator.
- LP Gas conversion kit supplied.
- Overhead cabinetry should not exceed a 13" maximum depth.
- Allow 30" minimum clearance between top of rangetop and bottom of unprotected wood or metal overhead cabinetry.
- Absolute minimum horizontal distance between overhead cabinets installed to either side of appliance must be no less than maximum width of appliance.
- Allow 5" minimum clearance from edge of rangetop to nearest combustible wall on either side of unit.
- To reduce risk of fire when using overhead cabinetry, install vent hood that projects horizontally a recommended minimum of 5" beyond bottom of cabinets.

Note: For planning purposes only. Refer to Product Installation Guide on the web at electroluxicon.com for detailed instructions.

Electrolux Major Appliances, N.A.

USA • 10200 David Taylor Drive • Charlotte, NC 28262 • 1-877-4electrolux (1-877-435-3287) • electroluxicon.com
 CANADA • 5855 Terry Fox Way • Mississauga, ON L5V 3E4 • 1-800-265-8352 • electroluxicon.ca

E30DF74TPS 07/17

© 2017 Electrolux Home Products, Inc.



High standards of quality at Electrolux-Home Products, Inc. mean we are constantly working to improve our products. We reserve the right to change specifications or discontinue models without notice.