

# Built-In Microwave

## EI24MO45I B



Microwave includes choice of 30" or 27" Trim Kit available (shown with 30" Stainless Steel Trim Kit).



Microwave EI24MO45I B with 30" Stainless Steel Trim Kit EI30MO45T S



Microwave EI24MO45I B with 27" Stainless Steel Trim Kit EI27MO45T S



### Cook-2-Perfection® Technology

Evenly distributes microwave cooking energy throughout the oven's interior for even cooking. A 13" x 9" pan – with handles – can be evenly heated.



### Sure-2-Fit® Capacity

Our 2.0 cu. ft. extra-large microwaves will hold nearly any dish.



### High-Performance Power

With 11 power levels and 1,100 watts, our microwaves are capable of handling even the biggest cooking jobs.

### BUILT-IN SIDE-SWING DOOR MICROWAVE

30" or 27" Trim Kit	Order Separately
Oven Cavity	2.0 Cu. Ft.
Watts	1,100
Oven Interior	White
Interior Krypton Light	Yes
16" Glass Turntable	Yes

### Control Panel Features

IQ-Touch™ Electronic Controls	Yes
Front Display with Blue LED	Yes
Electronic Clock & Timer	Yes
Humidity Sensor	Yes
Power Levels	11
Touch Pad Controls	33
Auto-Start	Yes
Auto-Defrost Options	6
Auto-Cook Options – Pizza (1), Snacks (3), Kid's Meals (3), Soften/Melt (4)	11
Auto-Reheat Options – Breads/Muffins (2), Pasta/Casserole (1)	3
Beverage (0.5-2.0 Cups)	Yes
Sensor-Cook Options – Cook (5), Reheat, Popcorn, Baked Potato, Frozen Vegetables, Fresh Vegetables	10
Multi-Stage Cooking Options	4
Shortcut Options	6
Add 30 Seconds	Yes
Keep Warm	Yes
Custom Help Options	Yes
Panel Lock	Yes
Demo Mode	Yes
Adjustable Sound Level For Timers/Reminders	Yes
More/Less Function	Yes
Power Failure Indicator	Yes

### Additional Features

Signature Soft-Arc Oven Door	Yes
Glass Window	Yes

### Required Trim Kit Options\*

30" Trim Kit – Stainless Steel	PN# EI30MO45TS
27" Trim Kit – Stainless Steel	PN# EI27MO45TS

### Specifications

Colour –	
Black	B
Oven Cavity Dimensions –	
Height	10-1/2"
Width	17-3/8"
Depth	18-5/8"
Product Dimensions –	
Height	18-1/16"
Width (including Trim Kit - 30" / 27")	30" / 27"
Depth (to Center of Arc)	20-1/16"
Approved for Under-Counter Installation	Yes
Approved for Electric Single Oven Combination Installation**	Yes
Power Supply Connection Location	Right Top Rear
Voltage Rating	120V/60Hz/15 or 20A
Connected Load (kW Rating) @ 120 Volts†	1.5
Amps @ 120 Volts	13
60" Electrical Cable	Included
Shipping Weight (Approx.) – Microwave	50 Lbs.
Shipping Weight (Approx.) – 30" Trim Kit*	12 Lbs.
Shipping Weight (Approx.) – 27" Trim Kit*	12 Lbs.

† For use on adequately wired 120V, dedicated circuit having 2-wire service with a separate ground wire. Appliance must be grounded for safe operation.

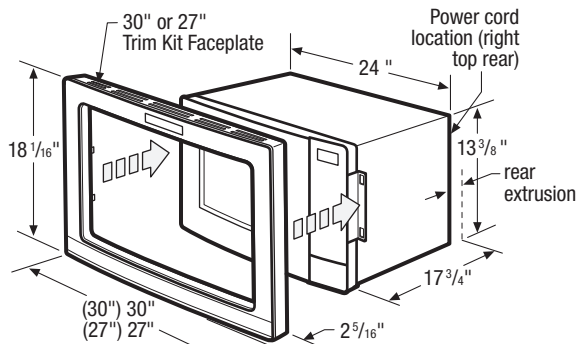
\* Installation requires use of 30" or 27" Trim Kit (ordered by individual part number and shipped separately). Includes Bottom Duct Assembly.

\*\* Approved to be used in combination with any Electrolux Electric Single Wall Oven and/or Warmer Drawer. (Not approved to be used above any gas wall oven.)

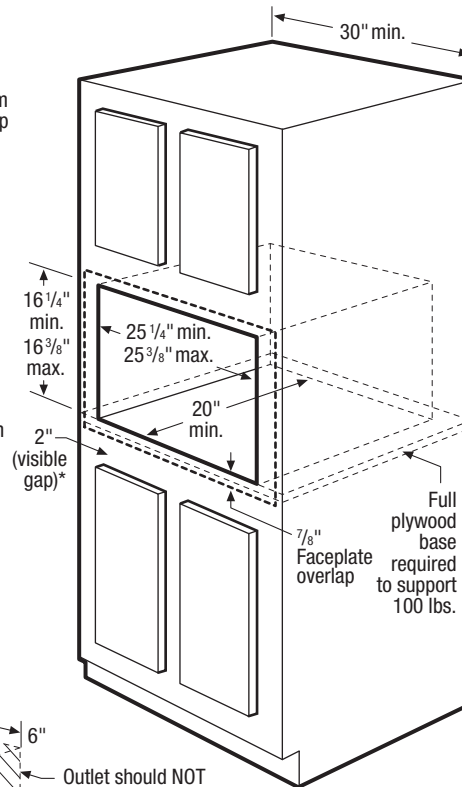
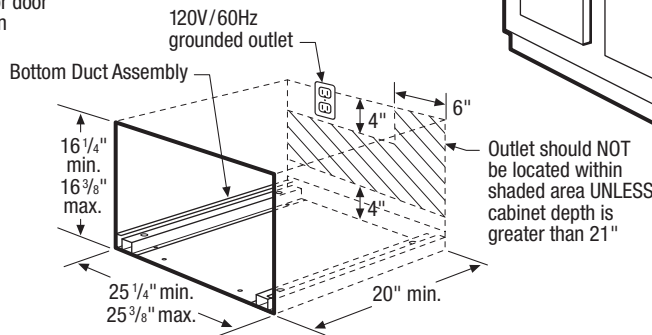
NOTE: Always consult local and national electric codes. Refer to Product Installation Guide for detailed installation instructions on the web at [electroluxappliances.ca](http://electroluxappliances.ca).

Specifications subject to change.

**\*Note:** When used in combination with another Electrolux built-in product, a minimum clearance of 2<sup>7</sup>/<sub>8</sub>" required from bottom of Built-In Microwave cutout to top edge of companion product's faceplate, leaving a 2" visible gap between both product faceplates



Allow at least 21" clearance for door depth when open



## Built-In Microwave Specifications

- Product Weight (Microwave with Trim Kit) – 51 Lbs.
- Voltage Rating – 120V/60Hz/ 15 or 20 Amps
- Connected Load (kW Rating) @ 120 Volts = 1.5kW (For use on adequately wired 120V, dedicated circuit having 2-wire service with a separate ground wire. Appliance must be grounded for safe operation.)
- Amps @ 120 Volts = 13 Amps
- Always consult local and national electric codes.
- Allow 21" minimum clearance for 90° door swing.
- Installation requires use of 30" or 27" Trim Kit (ordered by individual part number and shipped separate). Includes Bottom Duct Assembly.
- Minimum 20" deep oven cutout dimension is critical for proper installation for oven and faceplate to fit flush against cabinet front.
- Consult local building code, in the event that cutout opening may be required to be enclosed with sides, ceiling and rear partition.
- Full oven base of solid plywood or similar material required, capable of supporting 100 Lbs.

- Base must be level and front of cabinet square for proper operation.
- Grounded outlet should NOT be located in shaded area, as indicated, unless cabinet depth is greater than 21".
- Can NOT be installed above any gas wall oven.
- Built-In Convection Microwave can be built in alone or is approved to be used in combination with any Electrolux Electric Single Wall Oven and/or Warmer Drawer. (Refer to model-specific Combination Installation Specification pages on web.)
- When used in combination with another Electrolux built-in product, a minimum clearance of 2-7/8" required from bottom of Built-In Microwave cutout to top edge of companion product's faceplate, leaving a 2" visible gap between both product faceplates.

**Note:** For planning purposes only. Refer to Product Installation Guide on the web at [electroluxappliances.ca](http://electroluxappliances.ca) for detailed instructions.