

FFFC07M2UW

FREEZER

MANUAL DEFROST
7 CU. FT. CHEST



AVAILABLE COLORS



White

PRODUCT DIMENSIONS

Height (Incl. Lid)	33-5/8"
Width	37-3/8"
Depth	20-11/16"

SIGNATURE FEATURES

Removable Storage Basket

Stay organized with our removable basket that can hold small frozen items when you need it, or be removed if you have large items that need to be stored.

Adjustable Temperature Control

Select the correct temperature for your needs.

Defrost Water Drain

Use the drain to conveniently remove water during defrosting.

Power-on Indicator Light

Know at a glance that your freezer is working.

FFFC07M2UW FREEZER

7 CU. FT. CHEST

FRIGIDAIRE

FEATURES

Defrost	Manual
Adjustable Temperature Control	Yes
Store-More™ Removable Baskets	1 Wire
Defrost Water Drain	Yes
Lid Handle	Yes
Leveling Legs	2 Adjustable
Power-On Light	Yes

CERTIFICATIONS

CSA Rating	Household
------------	-----------

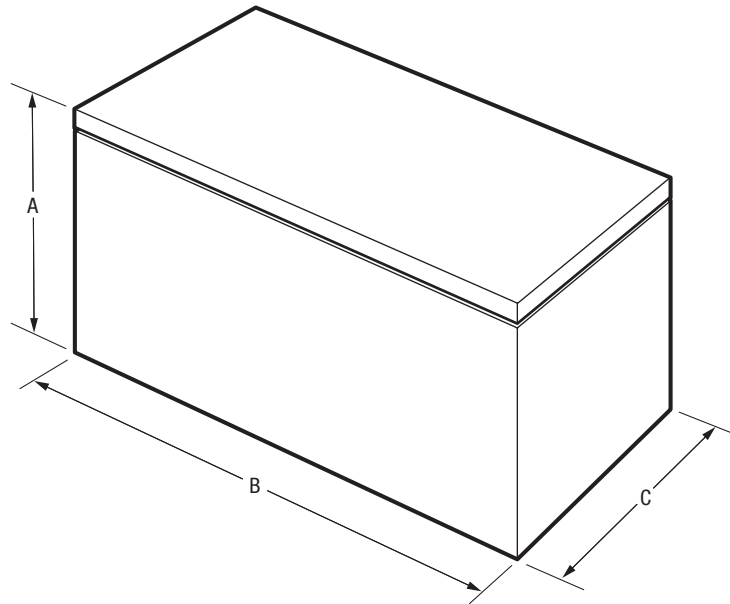
SPECIFICATIONS

Total Capacity (Cu. Ft.)	7.2
Annual Energy (kWh)	250
Annual Energy Cost (.1065/kWh)	\$30
Power Cord Connection Location	Left Bottom Rear
Voltage Rating	115V/60Hz
Connected Load (kW rating) @ 120 Volts ¹	.6
Amps @ 120 Volts	5
Minimum Circuit Required (Amps)	15
Shipping Weight (Approx.)	79 Lbs.

¹An electrical supply with grounded three-prong receptacle is required. The power supply circuit must be installed in accordance with current edition of National Electrical Code (NFPA 70) and local codes & ordinances.

PRODUCT DIMENSIONS

A - Height (Incl. Lid)	33-5/8"
B - Width	37-3/8"
C - Depth (Incl. Handle)	20-11/16"
Height with Lid Open 90°	52"

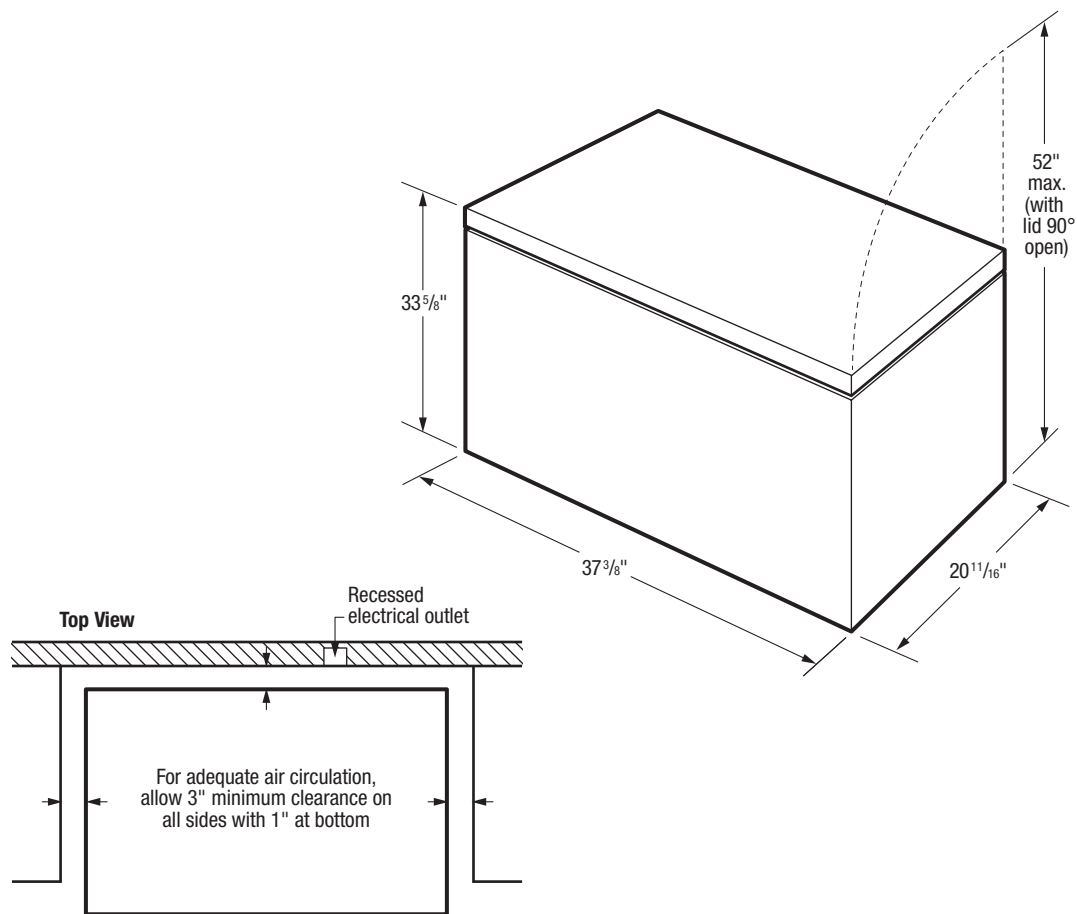


Note: For planning purposes only. Always consult local and national electric, gas and plumbing codes. Refer to Product Installation Guide for detailed installation instructions on the web at frigidaire.com / frigidaire.ca. Specifications subject to change. Accessories information available on the web at frigidaire.com / frigidaire.ca

FRIGIDAIRE

USA • 10200 David Taylor Drive • Charlotte, NC 28262 • 1-800-FRIGIDAIRE • frigidaire.com
CANADA • 5855 Terry Fox Way • Mississauga, ON L5V 3E4 • 1-800-265-8352 • frigidaire.ca

FFFC07M2UW 06/18
© 2018 Electrolux Home Products, Inc.



INSTALLATION SPECIFICATIONS

- Product Shipping Weight (approx.) – 79 Lbs.
- An electrical supply with grounded three-prong receptacle is required. The power supply circuit must be installed in accordance with current edition of National Electrical Code (NFPA 70) and local codes & ordinances.
- Voltage Rating – 115V/60Hz
- Connected Load (kW Rating) @120 Volts = 0.6 kW
- Amps @120 Volts = 5 Amps
- Always consult local and national electric codes.
- For adequate air circulation, allow 3" minimum clearance on all sides with 1" at bottom.
- Locate where surrounding air temperature will not exceed 110°F, to ensure optimum performance. (Temperatures 32°F and below will NOT affect operation.)
- All bottom corners of unit MUST rest firmly on solid level surface of hard material, same height as flooring. Surface must be strong and stable enough to support unit when fully loaded.
- Equipped with adjustable leveling legs to ensure unit is level, which is required in order to function properly.

