

## Dishwashers

FBD2400K W/B

24" Built-In



### Product Dimensions

Height (Adjustable)	33-1/2" - 35"
Width	24"
Depth (Including Door)	25"

### More Easy-To-Use Features

Low Rinse-Aid Indicator Light

2-Level Wash Tower Design

White Interior

UltraQuiet™  
Sound Reduction System

Available in:



White  
(W)



Black  
(B)

## Signature Features

### Tall-Tub Design

Our large capacity, tall-tub dishwasher fits up to 12 place settings so you can wash more at once.

### Quiet Dishwasher

A quiet performance every time.

### SpaceWise® Silverware Basket

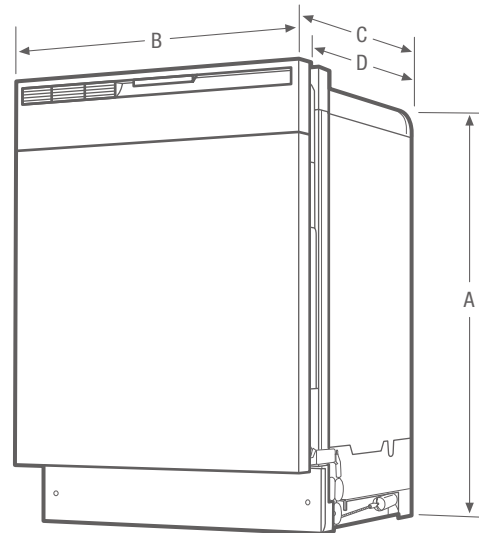
There's a place for all of your silverware in our multicompartment, removable basket.

### Energy Saver Dry Option

No heat dry option.

Features	
Control Design	Mechanical
Digital Display	
Door Latch	Yes
Stay-Put Door Hinge Design	
Low Rinse-Aid Indicator Light	Yes
Interior Design	Tall Tub
Interior Colour	White
Wash System	Tower
Wash Levels/Wash Speeds	2/1
Sound Package	UltraQuiet™
Filter	Plastic
Filter Trap	Removable
Soft Food Disposer	Yes
dB Level	62
Drying System	Static
Cycles	
Number of Cycles	2
Heavy	
Normal	Yes
Light	Yes
Delicate	
Favourite	
China/Crystal	
Rinse Only	
Energy Saver Plus	
Upper Rack Wash Only	
Cycle Indicator Light	
Control Lock	
Options	
Heat/No Heat Dry	Yes
Hi-Temp Wash	
NSF® Certified Sanitize Rinse	
Delay Start	
Rack System	
Rack Design/Rack Coating	Standard/PVC
Upper Rack -	
Stemware/Champagne Glass Holders	
Fold-Down Tines	
Cup Shelves	
Lower Rack -	
SpaceWise® Silverware Basket	Standard
Fold-Down Tines	
Small Items Cover	
Specifications	
Water Inlet Location	Left Bottom Front
Water Usage (Gallons)	7.2
Water Pressure (PSI)	20 - 120
Integral Air Gap on Supply	Yes
Leveling Legs	4
Power Supply Connection Location	Right Bottom Front
Voltage Rating	120V / 60 Hz / 15A
Connected Load (kW Rating) @ 120 Volts¹	1.44
Amps @ 120 Volts	10
Shipping Weight (Approx.)	68 Lbs.

<sup>1</sup>For use on adequately wired 120V, dedicated circuit having 2-wire service with a separate ground wire. Appliance must be grounded for safe operation.



**NOTE:** For planning purposes only. Always consult local and national electric and plumbing codes. Refer to Product Installation Guide for detailed installation instructions on the web at [frigidaire.ca](http://frigidaire.ca).



Product Dimensions	
A - Height (Adjustable)	33-1/2" - 35"
B - Width	24"
C - Depth (Including Door)	25"
D - Depth (To Tub Flange)	22-1/2"
Depth with Door Open 90°	49-1/4"

Cutout Dimensions	
Height (Min.)	34-1/4"
Height (Max.)	35-1/4"
Width (Min.)	24"
Depth (Min.)	24"

Accessories information available on the web at [frigidaire.ca](http://frigidaire.ca)