

FULGOR

MILANO



F1SM24*2

Dear Customer,

we would like to thank you and congratulate you on your choice.

This new product has been carefully designed and built using top quality materials, and meticulously tested to ensure that it meets all your culinary requirements.

Please read and observe these simple instructions, which will enable you to achieve excellent results from the very first time you use it. This state-of-the-art appliance comes to you with our very best wishes.



English



Français

THE MANUFACTURER

IMPORTANT: Save these instructions for the local electrical inspector use.
INSTALLER: Please leave this manual with owner for future reference.
OWNER: Please keep this manual for future reference.

THIS PRODUCT IS DESIGNED FOR DOMESTIC USE.

THE MANUFACTURER DECLINES ALL LIABILITY FOR DAMAGE TO PROPERTY OR PEOPLE DERIVING FROM INCORRECT INSTALLATION OR IMPROPER, ERRONEOUS OR UNSUITABLE USE.

THE APPLIANCE MUST NOT BE USED BY PEOPLE (INCLUDING CHILDREN) WITH PHYSICAL, SENSORIAL OR MENTAL

IMPAIRMENTS, OR BY PEOPLE WITHOUT THE NECESSARY EXPERIENCE OR KNOWLEDGE, UNLESS THEY ARE SUPERVISED OR INSTRUCTED IN THE USE OF THE APPLIANCE BY A PERSON RESPONSIBLE FOR THEIR SAFETY. CHILDREN MUST BE SUPERVISED TO ENSURE THAT THEY DO NOT PLAY WITH THE APPLIANCE.

User instructions

General Appliance and Oven Safety Precautions

Please read all the instructions before using this appliance.

GB



WARNING

When properly cared for, your new **FULGOR** oven has been designed to be a safe, reliable appliance. **Read all the instructions carefully before using this oven.**

These precautions will reduce the risk of burns, electric shock, fire, and injury to persons. When using kitchen appliances, basic safety precautions must be followed, including the following:

IMPORTANT INSTRUCTION

This appliance must be properly installed and grounded by a qualified technician. Connect only to a properly grounded outlet. See “grounding Instructions” found in the Installation Instructions.

- This appliance should be serviced only by a qualified service technician. Contact the nearest authorized service center for examination, repair or adjustment.
- Do not repair or replace any part of the oven unless specifically recommended. For servicing contact an authorized servicer.
- Do not operate this appliance if it is not working properly or if has been damaged, until an authorized servicer has examined it.
- Install or locate this appliance only

in accordance with the Installation Instructions.

- Use this oven only as intended by the manufacturer. If you have any questions, contact the manufacturer.
- Do not cover or block any openings on this appliance.
- Use this appliance only for its intended use as described in this manual. Do not use corrosive chemicals, vapors, or nonfood products in this appliance. This type of oven is specifically designed to heat or cook. It is not designed for industrial or laboratory use. The use of corrosive chemicals in heating or cleaning will damage the appliance.
- In the event that personal clothing or hair catches fire, **DROP AND ROLL IMMEDIATELY** to extinguish flames.
- Do not allow children to use this appliance unless closely supervised by an adult. Children and pets should not be left alone or unattended in the area where the appliance is in use. Never allow children to sit or stand on any part of the oven.



CAUTION

- Do not store items of interest to children above the oven. If children should climb onto the appliance to reach these items, they could be seriously injured.

To reduce the risk of fire in the oven cavity:

1. Do not store flammable materials in or near the oven.
2. Do not extinguish a grease fire using water. Smother fire or use a dry chemical or foam -type extinguisher.
3. It is highly recommended that a fire extinguisher be readily available and highly visible next to any cooking appliance.
4. Do not overcook food. Carefully attend oven if paper, plastic or other combustible materials are placed inside the oven.
5. Do not use the cavity for storage purposes. Do not leave paper products, cooking utensils or food in the cavity when not being used.
6. If materials inside the oven should ignite, keep oven door closed. Turn oven off and disconnect the circuit at the circuit breaker box.
7. Do not block any vent openings.
8. Make sure the blower fan is running whenever the oven is in operation. If the fan does not work, do not use the oven. Call an authorized service center.
9. Never use the oven to warm or heat a room. This can damage the oven parts.
10. For personal safety, wear proper clothing. Loose fitting or garments with hanging sleeves should never be worn while using this appliance.

General Appliance and Oven Safety Instructions

GB

Safety for the Oven

- Tie long hair so that it doesn't hang loose.
- Do not touch elements or interior surfaces of oven.
- The heating elements may be hot even if they are dark in color. The interior surface of an oven become hot enough to cause burns.
- During and after use, do not touch or let clothing or other flammable materials contact the heating elements or the interior surfaces of the oven until they have had sufficient time to cool. Other surfaces of the appliance may become hot enough to cause burns - among these surfaces are (identification of surface - for example, oven vent openings and surfaces near these openings, oven doors, and windows of oven doors).
- The trim on the top and sides of the oven door may become hot enough to cause burns.
- Take care when opening the door. Open the door slightly to let hot air or steam escape before removing or replacing food.
- Do not heat unopened food containers. Build-up of pressure may cause the container to burst and cause injury.
- Always place oven racks in desired location while oven is cool. If a rack

must be moved while oven is hot, do not let pot holder contact the hot heating elements.

- Use only pot holders. Moist or damp pot holders on hot surfaces may result in burns from steam. Do not let pot holder touch hot heating elements. Do not use a towel or other bulky cloth.



WARNING

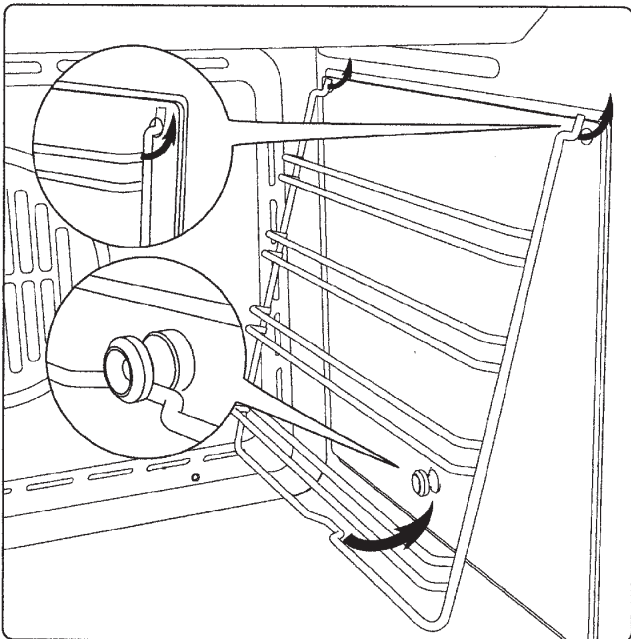
The California Safe Drinking Water and Toxic Enforcement Act requires businesses to warn customers of potential exposure to substances which are known by the State of California to cause cancer or reproductive harm.

The elimination of soil during self-cleaning generates some by-products which are on this list of substances.

To minimize exposure to these substances, always operate this oven according to the instructions in this manual and provide good ventilation to the room during and immediately after self-cleaning the oven.

The first time you use the oven

Clean the oven thoroughly with soapy water and rinse well. To remove the lateral frames from smooth-walled ovens, proceed as shown in the figure. Operate the oven for about 30 minutes at maximum temperature to burn off all traces of grease which might otherwise create unpleasant smells when cooking.



Important:

As a safety precaution, before cleaning the oven, always disconnect the plug from the power socket or the power cable from the oven. Do not use acid or alkaline substances to clean the oven (lemon juice, vinegar, salt, tomatoes etc.). Do not use chlorine based products, acids or abrasive products to clean the painted surfaces of the oven.

DO NOT USE STEAM CLEANERS

Self-cleaning catalytic panels



GB

SELF-CLEANING PANELS

The CLEAN function activates the reaction that causes cleaning

Our smooth walled ovens can be fitted with selfcleaning panels to cover the inside walls.

These special panels are simply hooked on to the walls before the side frames are fitted. They are coated in a special, micro-porous catalytic enamel which oxidises and gradually vaporises splashes of grease and oil at cooking temperatures above 200° C.

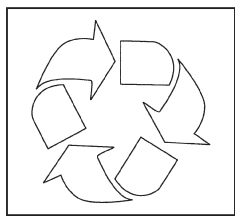
If the oven is not clean after cooking fatty foods, operate the empty oven for 60 minutes (max.) at maximum temperature.

Never wash or clean selfcleaning panels with abrasive, acid, or alkaline products.

Respect for the environment

The documents accompanying this appliance consist of bleached paper, without chlorine or recycled paper for the purpose of contributing to protection of the environment. The packing materials are conceived so as not to damage the environment; they can be recovered or recycled as they are ecological products.

Recycling the packing will contribute to a saving of raw materials and reduction in the volume of industrial and domestic refuse.



Control panel functions Function symbols on the selector



Oven light (stays on while oven is in use).



Top and bottom heating elements. Thermostat setting from 50°C to MAX.



Top heating element (small, low)



Double top heating element (large area grill). Thermostat setting from 50°C to 200°C.



Top and bottom heating elements with fan. Thermostat setting from 50°C to MAX.



Circular heating element with fan. Thermostat setting from 50°C to MAX.



Fan for defrosting. Thermostat setting at 0°C.



Lower heating coil with fan
Regulation of the thermostat from 50° C to MAX

Instructions for use

Conventional cooking

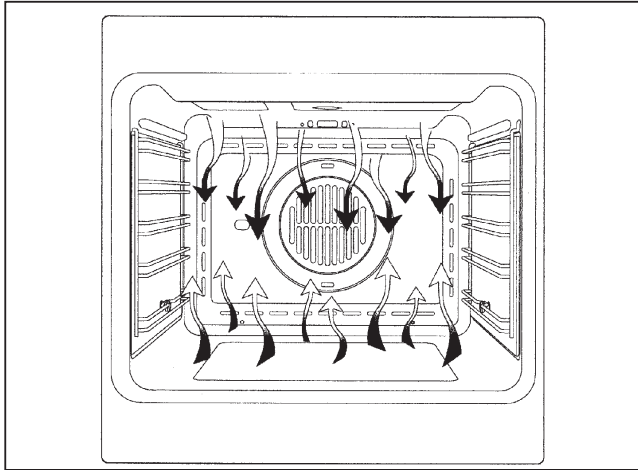


Conventional cooking uses top and bottom heat to cook a single dish.

Place the food in the oven only once cooking temperature has been reached, i.e. when the heating indicator goes out.

If you want to increase top or bottom

temperature towards the end of the cooking cycle, set the temperature control to the right position. It is advisable to open the oven door as little as possible during cooking.



Fan cooking



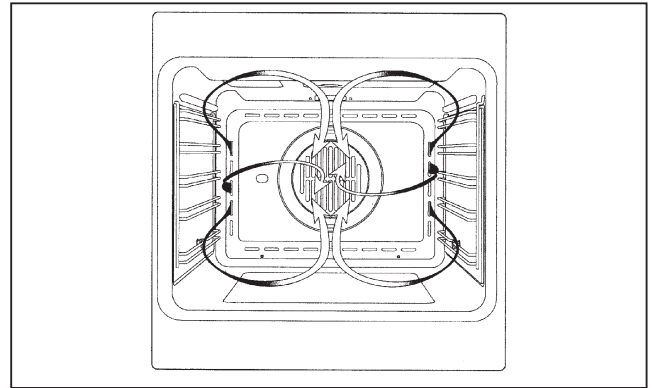
For this type of cooking a fan positioned at the back allows the circulation of hot air inside the oven, creating uniform heat. In this way cooking is more rapid than conventional cooking. It is a suitable method for cooking dishes on more than one shelf, especially when the food is of different types (fish, meat etc.).

Defrosting



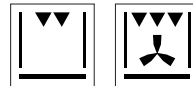
By selecting one of the fan cooking functions and setting the thermostat to zero, the fan allows cold air to circulate inside the oven. In this way frozen food can be rapidly defrosted.

It is not essential to pre-heat the oven, but you are advised to do so when cooking pastries.



GB

Grill cooking

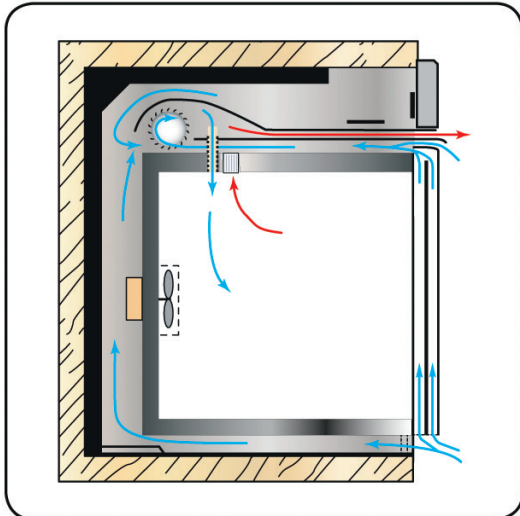


Use the grill to grill or brown foods. Some ovens may be equipped with an electric motor, spit and skewers for turning on the spit.

Place the shelf with the food to be cooked in the 1st or 2nd position from the top.

Pre-heat the oven for 5 minutes. Turn the thermostat to a temperature between 50° and 200°.

Cooling fan



TANGENTIAL COOLING

A forced air circulation system which contributes to reducing the heat exchange temperature in the front and lateral areas of the ovens.

The fan is positioned on the upper part of the oven and creates a vortex of cooling air on the inside of the appliance and through the oven door. It is turned on when the temperature of the outer shell of the oven reaches 60°C.

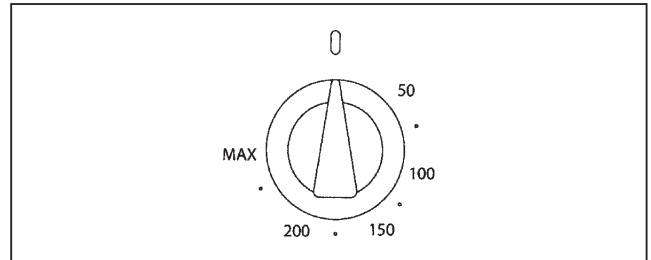
By switching on the oven with the thermostat at 200°C the fan starts working after approx. 10 min.

It is turned off when the temperature of the outer shell of the oven drops below 60°.

By switching off the oven with the thermostat at 200°C the fan stops working after approx. 30 min.

Thermostat


Use the thermostat to set the cooking temperature you need. The thermostat can be adjusted from 50° to 250°C.



Timer touch control

Setting the clock



“Auto” and “0:00” will start flashing when the unit is switched on for the first time. To set the clock, press the central button for about 3 seconds. When  appears, press “+” or “-” to set the correct time.


Wait until a beep tells you that the clock has been set (figure 1).

To set the time at a later stage, press “+” and “-” together for 3 seconds and then adjust the clock as described above.

Minute counter



As this minute counter does not control the oven, when it finishes counting the oven will continue to work.

To set, press the central button for 3 seconds until  appears (figure 2). Press “+” and “-” to set the required time.

To set the minute counter at a later stage, press the central button for 3 seconds and adjust as described above.

The minute counter beeps when it

finishes counting. To disable it, press any button.

Cooking time



This is a semi-automatic cooking function. It can be used to set cooking times.

Press the central button for 3 seconds. Then press it again until “dur” appears (figure 3). Press “+” and “-” to set the required cooking time.

End of cooking time



The end of cooking time can also be set.

Press the central button for 3 seconds. Press the central button twice consecutively and wait for “End” to appear (figure 4). Press “+” and “-” to set the required end of cooking time.

The oven will work in the set mode and at the set temperature until the end of cooking time.

Fulgor Milano WARRANTY for Home Appliances

GB

Duration of warranty:

Fulgor Milano grants for the Continental U.S and Canada a 24 month full warranty from the date of purchase indicated on the invoice. During this period Fulgor Milano will pay the cost for replaced parts and labor needed to repair the appliance.

For proof of warranty, please retain the original purchase invoice and the delivery slip.

To obtain service under this warranty, you must:

1. Contact Fulgor-Milano North America Service by email at fulgor@adcoservice.com or by toll free number at 1-855-4-fulgor (855-438-5467) for guidance in receiving service for your appliance.
2. Provide a copy of your original sales receipt.
3. Allow Fulgor Milano reasonable time to investigate the claim before the Product or any component of the Product has been removed.

Coverage:

Read the Use and Care Manual before using the appliance for the first time!

This warranty applies to Fulgor Milano appliances utilized only for residential use. Our appliances are not intended for commercial use. This warranty is only valid for the original owner and is not transferable.

During the warranty period Fulgor Milano will, at its discretion, repair or exchange the product without charge for parts and labor.

The warranty does not cover :

1. Damage to the appliance caused intentionally or by accident.
2. Improper installation or incorrect connection to the power supply.
3. Damage due to the excessive heat generated by exterior sources, water damage.
4. Transport damage.
5. Modifications to the appliance.
6. Malfunctions due to improper usage
7. Breakage or normal usage scratches of the ceramic glass surface.
8. Light bulbs damage or exterior fuses.
9. Operation under professional or commercial conditions.
10. Lightning, fire, flood damages or other Acts of God.
11. Replacement or attachment of parts other than original, provided by Fulgor Milano
12. Cosmetic claims such as scratches on stainless steel, handle damage, etc. are under a limited warranty only, and must be claimed within 2 weeks after the date of purchase.

This warranty covers only the appliance and its components. Damage of any items in direct contact or placed near to the appliance are excluded

from the warranty. Charges from any third parties other than Fulgor Milano authorized service agencies will not be accepted.

Should the appliance prove defective in workmanship or material, the end user shall be granted repair or replacement only. Under no circumstances shall Fulgor be liable for any loss or damage, whether it be direct, consequential, or incidental, arising out of the use or incorrect use of the appliance.

In order to obtain warranty rights, the original invoice must be provided to the Technical Services Department, Fulgor Milano to verify the date of purchase. Some states do not allow limitations of incidental or consequential damages, therefore the above named limitations or exclusions may not apply.

In case of technical claims or for service, first contact the dealer where the Fulgor Milano appliance was purchased!

Fulgor Milano

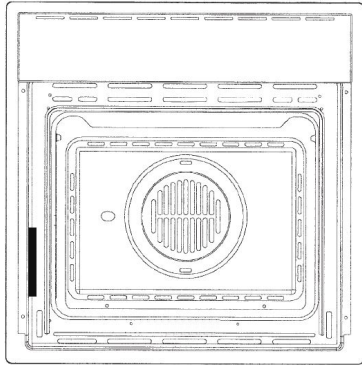
After Sales Service Support & Warranty Information:

1-855-4-fulgor (855-438-5467)

fulgor@adcoservice.com

Installation instructions

Location of rating plate



GB



WARNING

If the information in this manual is not followed exactly, a fire or explosion may result causing property damage, personal injury or death.

Introduction

Please read these instruction COMPLETELY AND CAREFULLY. They will save you time and effort and help to ensure optimum oven performance.

Be sure to observe all WARNINGS. These installations are intended for use by a qualified installer.

In addition to these instructions, the oven shall be installed:

- In the United States, in accordance with the National Electric Code/ State and Municipal codes and/or local codes.
- In Canada, in accordance with Canadian Electric Code C22.1- latest edition/Provincial and Municipal codes and/or local codes.

These shall be carefully followed at all times.

NOTE: IF INSTALLING YOUR OVEN IN CANADA PLEASE CHECK TO MAKE SURE THAT YOU HAVE

A MODEL WITH THE CANADIAN LISTING.



MARK, AS SHOWN ABOVE:

Mark as shown above means the oven complies with both US and CANADIAN Standards.

Tools you will need

The following tools are needed to install your new oven:

- Tape measure and straight edge or rules
- Pencil
- Phillips screwdriver
- Level
- Wire cutters and wire stripper
- Hand or saber saw
- 1" (2,5 cm) Hole saw
- Drill and drill bit
- Safety gloves and goggles
- Volt meter (0-250VAC)

Packaging

Remove all tape and packaging before using the oven.

Destroy the packaging after unpacking the oven following the rules in force in your town. Never allow children to play with packaging material.

Power requirements

The oven must be supplied with the proper voltage and frequency. The oven is manufactured to be connected to a three-wire, single phase, 120/240V, 60

Hz AC electrical supply on a separate circuit fused in both sides of the line. A circuit breaker or time delay fuse sized not to exceed the circuit rating of the appliance specified on the rating plate located on the frame behind the door of the oven is recommended.

The oven must be supplied with copper or aluminum wires.

If aluminum wire is provided to connect oven to branch circuit, UL listed connectors for joining copper and aluminum must be used. Follow instructions provided with connectors. It is recommended that you have the electrical wiring and hook-up of your oven performed by a qualified electrician. After installation is complete have the electrician show you where the main disconnect is and which of the circuit breakers/fuses are for the oven.

Choosing oven location

Carefully select the location where the oven will be placed.

The oven should be located for convenient use in the kitchen, but away from strong drafts.

Strong drafts may be caused by open doors or windows, or by heating and/or air conditioning vents or fans. Make sure that electrical power can be provided to the location selected.

Steps for installation

The following pages provided the necessary information for proper installation of the oven and are arranged as follows:

- Technical Data
- Installation Cutout Dimensions, Required Clearances and Mounting instructions for:
 - Under counter installation, Single Oven
 - Wall installation, Single Oven
- Electrical supply and Wiring Requirements, Programming required if connecting to 120/208 Volt Circuit. Electrical Connections for 3-wire or 4-wire Branch Circuit.
- Final Checklist.

Flush fitting

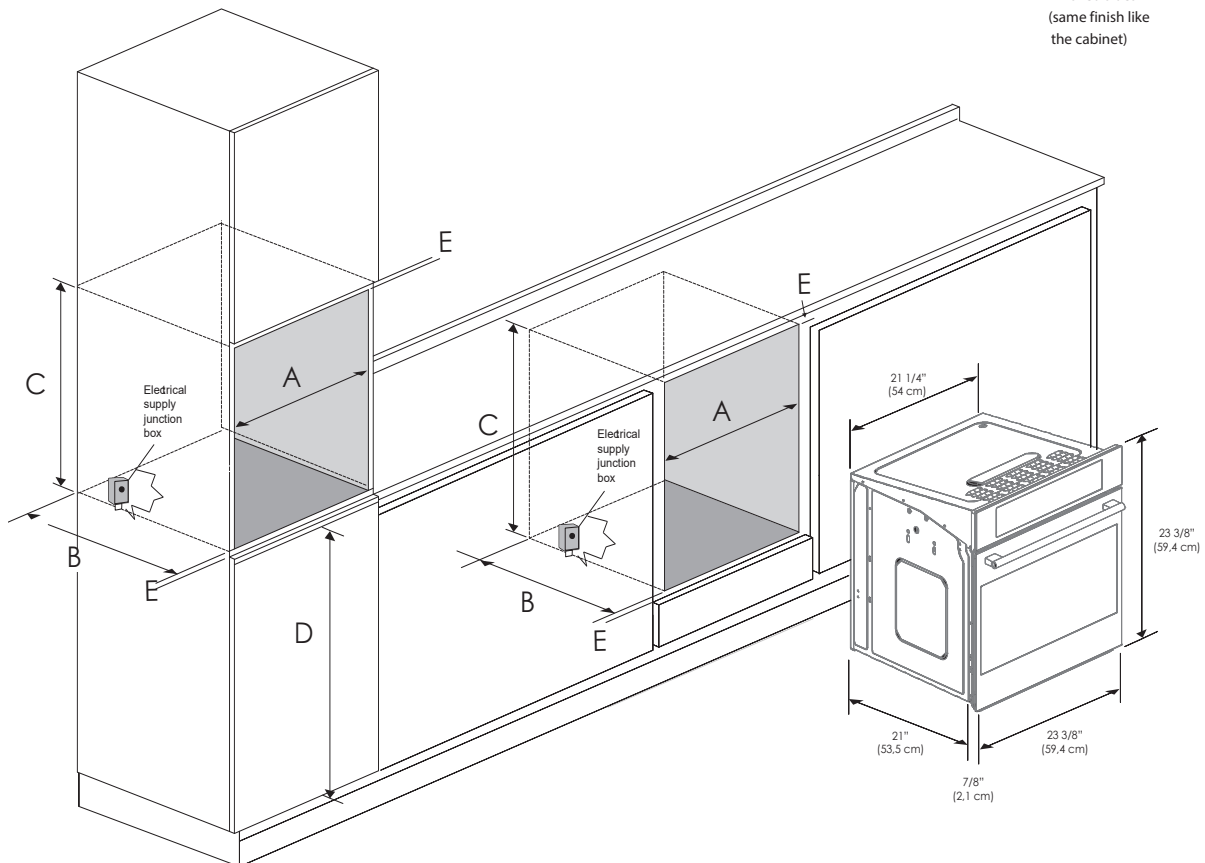
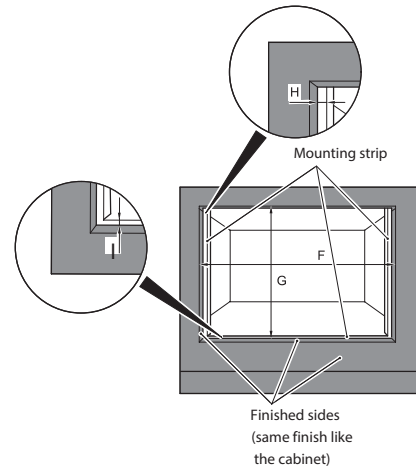
The oven can be installed under a work top or in a cooking column. Figure shows the installation dimensions.

Make sure that surrounding materials are heat resistant. Align the oven centrally with respect to the side walls of the units surrounding it and fix it in

place with the screws and Allen screws provided.

See the accompanying instructions for combining the oven with multi-functional gas or gas-electric cookers.

Ltr.	DIMENSION	inch	cm
A	Cutout Width	22 1/16"	56cm
B	Cutout Depth (min)	22 1/16"	56cm
C	Cutout Height	23"	58,5cm
D	Floor Bottom of Cutout	34"	86,5cm
E	Minimum Spacing	1/2"	1,3cm
FLUSH INSTALLATION			
F	Cutout Width	23 5/8"	60 cm
G	Cutout Height	24 1/64"	61 cm
H	Mounting strips	19/32"	1,5 cm
I	Mounting strips	19/32"	1,5 cm



Electrical connections

Be sure your appliance is properly installed and grounded by a qualified technician. Ask your dealer to recommend a qualified technician or an authorized repair service.

This appliance is manufactured with a green GROUND wire connected to the oven body. After making sure that the power has been turned off, connect the flexible conduit from the oven to the junction box using a U.L. listed conduit connector. Figures A and B and the instructions provided below present the most common way of connecting the ovens.

Your local codes and ordinance, of course, take precedence over these instructions. Complete electrical connections according to local codes and ordinance.

“WARNING” Risk of Electric Shock, frame grounded to neutral of appliance through a connection.

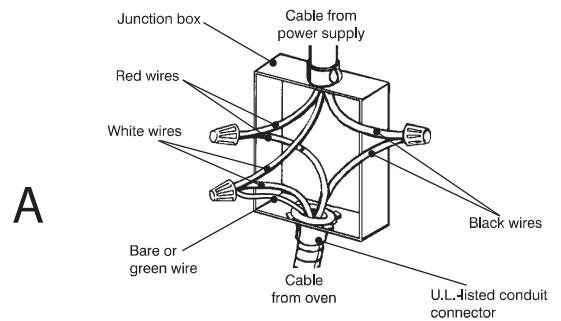
Ground through the neutral conductor is prohibited for new branch-circuit installation (1996 NEC); mobile homes; and recreation vehicles, or in an area where local codes prohibit grounding through the neutral conductor. For installations where grounding through the neutral conductor is prohibited:

- Disconnect the ground from the neutral at free end of conduit;
- Use grounding terminal or lead to ground unit; and usual procedure.

3-Wire branch circuit (for US only)

Refer to Figure A, where local codes allow the connection of GROUND wire from the oven to the branch circuit NEUTRAL wire (gray or white colored wire):

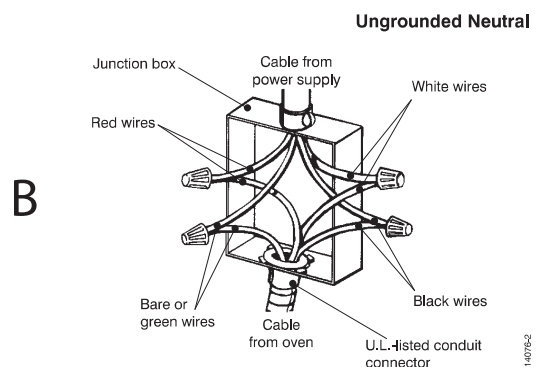
- If local codes permit, connect the green GROUND wire from the oven and the white wire from the oven to the branch circuit NEUTRAL wire (gray or white colored wire).
- Connect the red and black leads from the oven to the corresponding leads in the junction box.



4-Wire branch circuit (for US and CANADA)

Refer to Figure B:

- Connect the green GROUND wire from the oven to the GROUND wire in the junction box (bare or green colored wire).
- Connect the red and black leads from the oven to the corresponding leads in the junction box.
- Connect the white wire from the oven to the NEUTRAL (gray or white) wire in the junction box.



Fulgor Milano WARRANTY for Home Appliances

Duration of warranty:

For twenty-four (24) months from the original date of purchase, the **Fulgor Milano** warranty covers all parts and labor to repair or replace, under normal residential use, any part of the product proving to be defective in material or workmanship as a result of the original manufacturing process.

For proof of warranty, please retain the original purchase invoice and the delivery slip.

To obtain service under this warranty you must:

1. Contact Fulgor-Milano Authorized Service
 - www.thevettagroup.com/servicerequest.a5w
 - fulgor@adcoservice.com
 - Free number: 1-855-4-fulgor (1-855-438-5467)
2. Provide a copy of your original sales receipt along with model number and serial number information for the product.
3. Provide **Fulgor Milano** reasonable opportunity to investigate the claim before the Product or any component of the Product has been modified or removed.

TERMS APPLICABLE TO THIS WARRANTY

This warranty is valid in only the 50 continental states of the U.S.A. and the country of Canada. This warranty applies to the original purchaser only and is non-transferable.

All service provided by **Fulgor Milano** on the stated warranty must be performed by a **Fulgor Milano** authorized servicer, unless otherwise specified by **Fulgor Milano**.

This service will be provided during the regular business hours of each specific region.

This warranty applies only to products purchased from an authorized dealer through an approved distribution chain and is installed for normal residential use and does not apply to commercial use or use on yachts.

This warranty only covers service performed at the location of product installation and will not cover costs associated with repairing off-site unless expressly authorized by **Fulgor Milano** nor does it cover the travel costs associated with providing service to remote locations.

Remote locations are defined as being outside of a 50 mile (80 kilometre) radius from any authorized dealer. This warranty does not cover any parts or labor to correct any defect caused by negligence, transport, delivery, improper voltage, accident or improper use, maintenance, installation, service or repair, including but not limited to improper removal and reinstallation of any component of the product (ie. removing handles to fit through doors) prior to or during product delivery / installation.

The remedies described herein are the only ones which **Fulgor Milano** will provide, either under this warranty or under any warranty arising by operation of law. **Fulgor Milano** will not be responsible for product loss due to spoilage or burning nor for consequential damages to surrounding cabinetry, construction materials or finishing materials such as but not limited to flooring.

Fulgor Milano will not be responsible for any consequential or incidental damages arising from the breach of these warranties or any other warranties, whether express, implied or statutory.

The warranty will be valid and effective only upon presentation of the document stating the purchase date of the appliance, and more specifically of the relevant invoice, proof of purchase, or equivalent document showing the name of the seller, the delivery date and the identification data of the appliance. (Such as; Model number, Serial Number).

In the case of new product being included in the purchase of new residential construction; this warranty applies to the original resident of the location containing the **Fulgor Milano** product and warranty coverage will begin on the date of occupancy of the residence (proof of occupancy required) to a maximum additional six months from the date of purchase of the product by the development company from the distributor or dealer. This extension does not apply to footnote 1 below.

This warranty is only valid where the difference between the purchase date and the production date of the product is less than one year. Any product which has been warehoused for more than this one year period will only be covered under the terms of **Fulgor Milano**'s B-Stock / Display Model warranty.

During the warranty period **Fulgor Milano** reserves the right to evaluate the opportunity to repair the appliance or, at their discretion, offer to replace it with a **Fulgor Milano** product of equivalent features and functionality. **Fulgor Milano** reserves the right to revise this warranty at any time.

Some states do not allow the exclusion or limitation of incidental or consequential damages so the above limitation or exclusion may not apply to you. This warranty gives you specific legal rights and you may also have other rights which vary from state to state.

¹Doors, handles, glass, product frames, racking, interior and exterior surfaces are covered by a limited 30-day parts only warranty for cosmetic defects originating from the factory.

*Replacement light bulbs are not covered by the product warranty.

FULGOR MILANO

After Sales Service Support & Warranty Information:
1-855-4-fulgor (855-438-5467)

fulgor@adcoservice.com

Cher Client,

Vous venez d'acheter l'un de nos produits et nous vous en remercions vivement.

Ce nouveau produit, minutieusement conçu et construit avec des matériaux de tout premier choix, a été soigneusement testé afin de satisfaire chacune de vos exigences en matière de cuisson.

Nous vous prions de lire et de respecter ces instructions simples qui vous permettront d'obtenir d'excellents résultats dès la première utilisation. Nous vous souhaitons une bonne cuisine avec cet appareil moderne.

GB English

FR Français

FR

LE CONSTRUCTEUR

IMPORTANT: Gardez ces instructions pour une utilisation d'inspection électrique locale
INSTALLATEUR: Veuillez laisser ce manuel au propriétaire pour de futures références.
PROPRIETAIRE: Veuillez garder ce manuel pour de futures références.

CE PRODUIT A ETE CONÇU POUR UN USAGE DOMESTIQUE.

LE CONSTRUCTEUR DECLINE TOUTE RESPONSABILITÉ EN CAS DE DOMMAGES SUBIS PAR LES CHOSES OU LES PERSONNES DERIVANT D'UNE INSTALLATION INCORRECTE OU D'UN USAGE IMPROPRE, ERRONE OU INCOHERENT.

NE PAS CONFIER L'UTILISATION DE L'APPAREIL A DES PERSONNES (Y COMPRIS DES ENFANTS) AYANT DES CAPACITES PHYSIQUES, SENSORIELLES

OU MENTALES REDUITES, OU A DES PERSONNES QUI NE POSSEDENT PAS L'EXPERIENCE ET LES CONNAISSANCES NECESSAIRES ; LA SUPERVISION D'UN ADULTE RESPONSABLE POUR LEUR SECURITE ET EN MESURE DE COMPRENDRE LE MODE D'EMPLOI DE L'APPAREIL EST OBLIGATOIRE.

IL FAUT SURVEILLER LES ENFANTS POUR S'ASSURER QU'ILS NE JOUENT PAS AVEC L'APPAREIL.

User instructions

Précautions générales et sécurité du four

Prière de lire toutes les instructions avant d'utiliser cet appareil.

FR



ATTENTION

Correctement entretenu, votre nouveau four **FULGOR** est un appareil conçu pour être sûr et fiable. **Prière de lire toutes les instructions avant d'utiliser ce four.**

Ces précautions réduisent le risque de brûlures, choc électrique, incendie et blessure. Lorsque vous utilisez des appareils de cuisine, adoptez les précautions basiques de sécurité suivantes:

INSTRUCTIONS IMPORTANT

Cet appareil doit être convenablement installé et connecté à la terre par un électricien qualifié. Le brancher obligatoirement à une prise munie de mise à la terre. Voir à ce propos les « instructions de mise à la terre » dans le livret d'installation.

- Cet appareil doit être convenablement installé et connecté à la terre par un électricien qualifié. Contactez le centre d'assistance agréé le plus proche pour toute inspection, réparation ou mise au point.
- Ne réparez pas le four et ne remplacez aucune pièce si cela ne vous a pas été spécifiquement recommandé. Contactez toujours

un centre d'assistance après-vente agréé.

- N'utilisez pas l'appareil s'il ne fonctionne pas correctement ou s'il a été endommagé tant qu'un technicien agréé ne l'aura pas examiné.
- Installez et positionnez cet appareil conformément aux instructions d'installation.
- Utilisez le four conformément à l'usage pour lequel il a été conçu par le fabricant, toute autre utilisation étant exclue. Si vous avez des questions quelles qu'elles soient, contactez le fabricant.
- Ne couvrez ni ne bloquez les ouvertures de l'appareil.
- Utilisez l'appareil uniquement selon les modalités décrites dans ce manuel. Ne pas utiliser sur cet appareil de produits chimiques corrosifs, vapeurs ou produits non adaptés à l'usage alimentaire. Ce type de four est a été spécifiquement conçu pour chauffer ou cuisiner. Il n'est pas destiné à l'emploi industriel ou en laboratoire. L'utilisation de produits chimiques corrosifs pour le réchauffement ou le nettoyage endommagerait l'appareil.
- S'il arrivait que vos vêtements prennent feu, **JETEZ-VOUS PAR TERRE ET ROULEZ-VOUS** pour éteindre les flammes.
- Ne permettez pas l'utilisation de l'appareil par des enfants sans la supervision d'un adulte. Ne pas

laisser les enfants ou les animaux seuls ou sans surveillance pendant l'utilisation de l'appareil. Ne laissez jamais les enfants s'asseoir ou se tenir debout sur le four.



ATTENTION

- Ne gardez pas au-dessus du four des objets pouvant être d'intérêt pour les enfants. Si un enfant grimpe sur l'appareil pour atteindre ces objets, il pourrait se blesser gravement.

Pour réduire le risque d'incendie dans la cavité du four :

Ne pas stocker de matériel inflammable dans le four ou dans son voisinage.

Ne pas essayer d'éteindre un feu de graisse. Éteignez le feu ou utilisez un extincteur chimique à sec ou à mousse.

Il est fortement recommandé d'avoir un extincteur disponible et bien visible dans le voisinage d'un appareil de cuisson.

Ne pas faire cuire excessivement les aliments. Bien surveiller le four s'il y a du papier, du plastique ou autre matériel combustible à l'intérieur.

Ne pas utiliser la cavité comme endroit de stockage. Ne pas laisser des produits en papier, des ustensiles de cuisine ou des aliments dans la cavité du four quand celui-ci n'est pas en marche.

Si le matériel qui se trouve dans le four prend feu, laissez la porte du four fermée. Éteindre le four et déconnecter

le circuit au niveau du tableau électrique.

Ne pas bloquer les ouvertures d'aération.

Assurez-vous bien que le ventilateur tourne quand le four est en marche.

Si le ventilateur ne fonctionne pas, n'utilisez pas le four. Appelez un centre d'assistance agréé.

N'utilisez jamais le four pour chauffer une pièce. Cela pourrait endommager les pièces du four.

Pour votre sécurité personnelle, portez des vêtements appropriés. Ne mettez jamais des vêtements larges aux manches amples lorsque vous utilisez cet appareil.

Précautions générales et sécurité du four

Sécurité pour le four

- Attachez vos cheveux longs.
- Ne touchez pas les éléments ou les surfaces intérieures du four.
- Les éléments chauffants peuvent être très chauds même s'ils sont de couleur foncée. La surface intérieure du four se réchauffe assez pour provoquer des brûlures.
- Pendant et après l'utilisation, ne pas toucher les éléments chauffants du four ou les surfaces intérieures, ne pas permettre le contact avec des matériaux inflammables tant qu'ils ne se seront pas suffisamment refroidis. D'autres surfaces de l'appareil pourraient devenir suffisamment chaudes pour causer des brûlures – ces surfaces sont, par exemple (identification des surfaces: ouvertures de ventilation du four, surfaces proches de ces ouvertures, portes du four, verres des portes du four).
- Les moulures dans les parties supérieure et latérale de la porte du four peuvent devenir assez chaudes pour provoquer des brûlures.
- Faites attention quand vous ouvrez la porte. Ouvrez la porte doucement pour permettre à l'air chaud et à la vapeur de sortir avant d'extraire ou d'introduire les aliments.
- Ne pas réchauffer des récipients contenant des aliments sans les ouvrir. L'augmentation de la pression pourrait provoquer l'explosion du récipient et provoquer des blessures.
- Toujours veiller à ce que le four soit froid quand on souhaite positionner les grilles à l'intérieur. Si vous devez déplacer la grille alors que le four est chaud, ne laissez pas que le gant de cuisine touche les éléments qui sont en train de se chauffer.
- Utilisez uniquement des gants de cuisine. Si vos gants de cuisine sont humides ou mouillés, le contact avec des surfaces chaudes pourrait provoquer des brûlures causées par la vapeur. Ne laissez pas que le gant de cuisine touche les éléments qui sont en train de se chauffer. Ne vous servez pas de serviettes ou de torchons.



AVERTISSEMENT

La loi californienne sur la sécurité de l'eau potable et les substances toxiques oblige les entreprises à mettre en garde leurs clients contre l'exposition potentielle à des substances reconnues comme cancérogènes ou nuisibles par l'État de Californie.

L'élimination de saleté pendant l'auto-nettoyage donne lieu à un certain nombre de produits qui sont dans cette liste de substances.

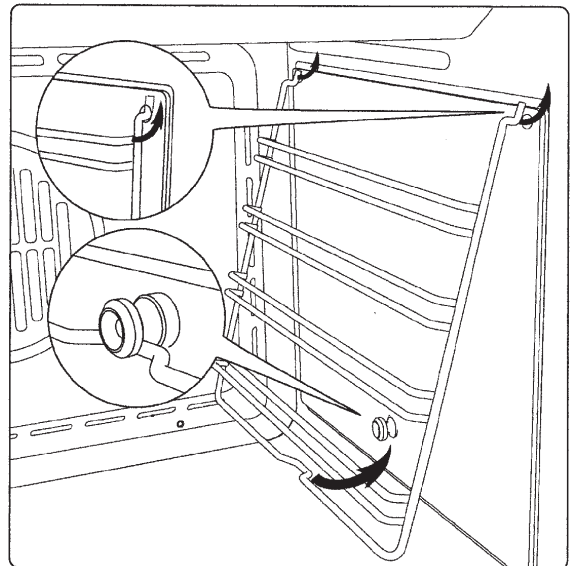
Pour réduire au minimum l'exposition à ces substances, faites toujours fonctionner le four conformément aux instructions de ce manuel et assurer une bonne ventilation de la pièce pendant et juste après l'auto-nettoyage du four.

Première utilisation

Le four doit être nettoyé à fond à l'eau et au savon, puis rincé méticuleusement. Pour enlever les cadres latéraux dans les fours à parois lisses, procéder comme indiqué sur la figure.

Il convient de n'insérer la nourriture que lorsque le four a atteint la température préétablie, c'est-à-dire quand s'éteint le voyant lumineux.

FR



Important :

A titre de précaution, avant d'effectuer toute opération de nettoyage du four quelle qu'elle soit, débrancher toujours la fiche de la prise de courant ou couper la ligne d'alimentation de l'appareil. Veiller à ne pas utiliser de substances acides ou alcalines (jus de citron, vinaigre, sel, tomate, etc.). Ne pas utiliser de produits à base de chlore, acides ou abrasifs, surtout pour le nettoyage des parois peintes.

NE PAS UTILISER DE NETTOYEURS À VAPEUR

Panneaux autonettoyants

FR



PANNEAUX AUTONETTOYANTS

La fonction CLEAN active la réaction qui provoque le nettoyage.

Nos fours à parois lisses peuvent être munis, à l'intérieur, de panneaux autonettoyants qui recouvrent les parois.

Devant être accrochés sur les parois, avant les châssis latéraux, ces panneaux spéciaux sont recouverts d'un émail spécial catalytique microporeux qui provoque l'oxydation et l'évaporation graduelles des éclaboussures d'huile et de graisse qui sont ainsi éliminées pendant les cuissons à plus de 200° C. Si le four n'est pas propre après la cuisson d'aliments très gras, le faire fonctionner à vide à la température maximum pendant 60 minutes maximum. Les panneaux autonettoyants ne doivent être ni lavés, ni nettoyés avec des produits abrasifs ou des produits contenant des acides

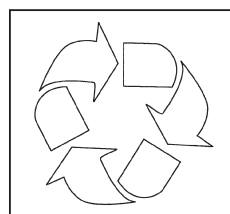
ou des alcalis.

Respect de l'environnement

La documentation de cet appareil est imprimée sur du papier blanchi, sans chlore ou sur du papier recyclé, de façon à contribuer à la sauvegarde de l'environnement.


Les emballages sont conçus pour ne pas nuire à l'environnement; ils peuvent être récupérés ou recyclés, car il s'agit de produits écologiques.


Le fait de recycler l'emballage permet de consommer moins de matières premières et de réduire le volume des déchets industriels et domestiques.





Fonctions du panneau de commande


Symboles des fonctions sur le commutateur


 Lampe du four (reste allumée pendant la marche).


 Résistance inférieure et supérieure. Réglage du thermostat de 50° C à MAX.


 Résistance supérieure (grill à grande surface)

 Double résistance supérieure (grill à grande surface). Réglage du thermostat de 50° à 200°C.

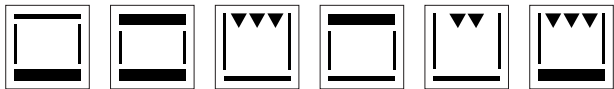
 Résistance supérieure, inférieure avec ventilateur. Réglage du thermostat de 50°C à MAX.

 Résistance circulaire avec ventilateur. Réglage du thermostat de 50° C à MAX.

 Ventilateur pour décongélation. Réglage du thermostat à 0° C.

 Résistance inférieure avec ventilateur Réglage du thermostat de 50°C à MAX.

Instructions pour le fonctionnement Cuisson conventionnelle



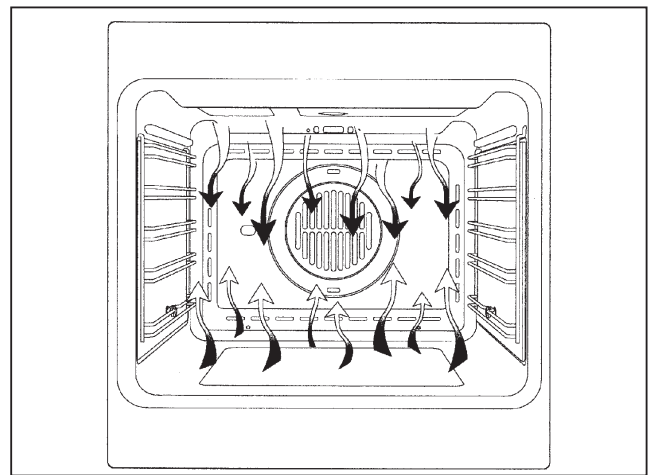
Système classique utilisant la chaleur supérieure et inférieure, indiqué pour la cuisson d'un seul plat.

Il convient de n'insérer la nourriture que lorsque le four a atteint la température préétablie, c'est-à-dire quand s'éteint

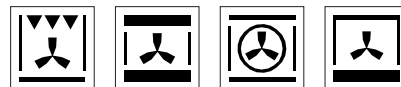
le voyant lumineux.

Si, vers la fin de la cuisson, il est nécessaire d'augmenter la température inférieure ou supérieure, il faut placer le commutateur dans la position adéquate. On conseille d'ouvrir le moins possible la porte du four au cours de la cuisson.

FR



Cuisson ventilée



Avec ce type de cuisson, un ventilateur placé dans la partie postérieure fait circuler l'air chaud à l'intérieur du four, en le répartissant uniformément. La cuisson se fait plus rapidement que par rapport à la cuisson conventionnelle. Le système se prête bien à la cuisson sur plusieurs étages et également d'aliments de différents types (poisson, viande, etc.).

Decongelation

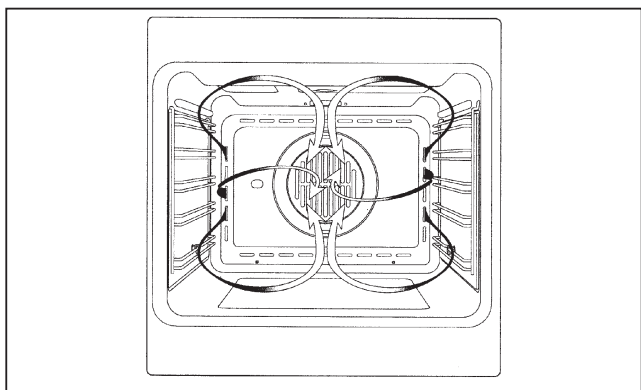


En sélectionnant une des fonctions

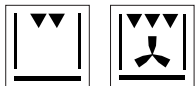
de cuisson ventilée et en réglant le thermostat sur zéro, le ventilateur fera circuler de l'air froid à l'intérieur du four, en provoquant de cette manière une décongélation rapide des aliments congelés.

Le préchauffage n'est pas nécessaire; il est toutefois préférable d'y recourir pour la pâtisserie.

FR



Cuisson au gril

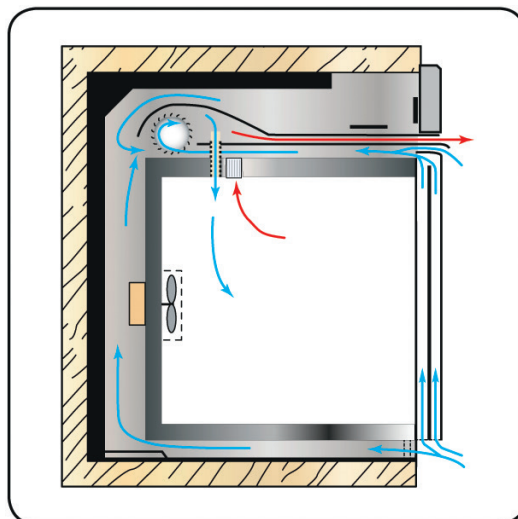


Type de cuisson pour griller ou dorer les aliments. Certains fours peuvent être munis d'un moteur de piques et d'une broche pour la cuisson en rôtissoire.

La grille portant l'aliment à cuire doit être insérée à la 1^e ou 2^e position du dessus. Préchauffer pendant 5'.

Tourner le bouton du thermostat sur une température comprise entre 50° et 200°.

Ventilateur de refroidissement



REFROIDISSEMENT TANGENTIEL

Un système forcé de circulation de l'air qui contribue à réduire la température de l'échange de chaleur au niveau des parties latérales et frontales des fours.

(si compris dans la fourniture) Le ventilateur est placé sur la partie supérieure du four et crée une circulation d'air de refroidissement à l'intérieur du meuble et à travers la porte du four lui-même. Il se met en marche quand la partie externe du four atteint environ 60°C.

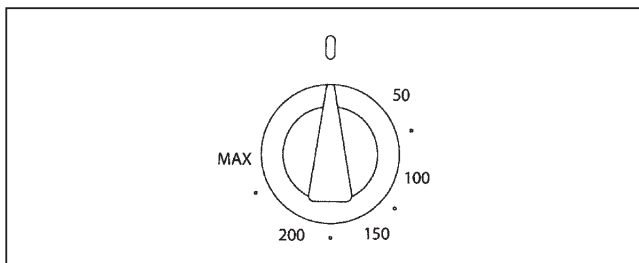
En allumant le four et en programmant le thermostat sur 200°C, le ventilateur se met en marche après 10 minutes environ.

L'extinction du ventilateur se fait quand la partie externe du four descend sous 60°C.

Après une utilisation du four à 200°C, le ventilateur s'éteint après environ 30 minutes.

Thermostat

Dispositif permettant de régler la température de cuisson la plus indiquée pour les aliments et pouvant être réglé de 50° à 250° C.




Minuteur à touches sensibles

Réglage de la pendule



Fig. 1

FR

Lors de la première utilisation de l'appareil, l'affichage fera apparaître le symbole « Auto » et la valeur « 0:00 » en mode clignotant. Pour effectuer le réglage initial de la pendule, exercez une pression de plus de 3 secondes sur la touche centrale. Lorsque le symbole  apparaît, réglez l'heure en utilisant les touches “+” ou “-”.

Attendre qu'un signal acoustique indique que le réglage de l'heure a été pris en compte (figure 1).

Pour modifier le réglage de l'heure par la suite, entrez en mode de configuration en appuyant simultanément sur les touches “+” et “-” et procédez ensuite comme indiqué ci-dessus.


Minutage



Fig. 2

Cette fonction est une fonction de minutage indépendante, sans interaction avec le four, qui continuera par conséquent à fonctionner normalement au terme du minutage.

Pour régler le minuteur, exercez une pression de plus de 3 secondes sur la

touche centrale pour faire apparaître le symbole  (figure 2) puis utilisez les touches “+” et “-” pour programmer la durée désirée.

Pour modifier la durée programmée, exercez une pression de plus de 3 secondes sur la touche centrale et réglez à nouveau le minuteur.

À l'expiration de la durée programmée, le minuteur émettra un signal acoustique. Pour l'interrompre, appuyez sur l'une des touches de l'appareil.

secondes sur la touche centrale puis appuyez à nouveau par deux fois sur cette même touche pour faire apparaître la mention “End” (figure 4). Utilisez les touches “+” et “-” pour régler l'heure de fin de cuisson désirée. Le four fonctionnera à la température et dans le mode sélectionnés jusqu'à l'heure indiquée.

Durée de la cuisson



Fig. 3

C'est une fonction de cuisson semi-automatique. Elle permet de programmer la durée de la cuisson.

Exercez une pression de plus de 3 secondes sur la touche centrale puis appuyez à nouveau sur cette même touche pour faire apparaître la mention “dur” (figure 3). Utilisez les touches “+” et “-” pour régler la durée de cuisson désirée.

Fin de cuisson



Fig. 4

Cette fonction permet de régler l'heure de fin de cuisson.

Exercez une pression de plus de 3

GARANTIE Fulgor Milano pour l'électroménager

Durée de la garantie :

Fulgor Milano garantit pour le Canada et les Etats-Unis continentaux 24 mois de garantie totale depuis la date d'achat indiquée sur la facture à l'utilisateur final. Pendant cette période Fulgor Milano payera le coût des pièces de remplacement et du travail fourni pour réparer l'appareil.

Pour une preuve de garantie, veuillez garder la facture d'achat originale et le bon de livraison.

Pour obtenir ce service sous cette garantie, vous devez :

1. Veuillez contacter Fulgor-Milano North America Service par courriel à l'adresse fulgor@adcoservice.com ou par numéro vert au 1-855-4-fulgor (855-438-5467) afin de bénéficier des services après-vente pour votre électroménager.
2. Fournissez une copie de votre reçu original de vente.
3. Laissez à Fulgor un temps raisonnable pour enregistrer la réclamation avant que le produit ou toute autre pièce soit enlevée.

Couverture :

Lisez le Manuel d'utilisation et d'entretien avant d'utiliser l'appareil pour la première fois ! Cette garantie s'applique aux appareils Fulgor Milano utilisés uniquement pour une utilisation privée. Nos appareils ne

sont pas conçus pour une utilisation commerciale. Cette garantie est uniquement valable pour le propriétaire d'origine et elle n'est pas transférable. Pendant la période garantie Fulgor Milano, à sa discrétion, réparera ou échangera le produit gratuitement pour les pièces ou pour le travail.

FR

Cette garantie ne couvre pas

1. Endommagement de l'appareil provoqué intentionnellement ou par accident
2. Installation incorrecte ou mauvais branchement à l'alimentation électrique
3. Dommage causé par la chaleur excessive produite par des sources extérieures, dommage causé par l'eau.
4. Dommage dû au transport.
5. Si l'appareil a été modifié
6. Dysfonctionnements dus à une utilisation incorrecte
7. Fêlure ou rayures normales dues à l'utilisation de la surface de verre en céramique
8. Ampoules endommagées ou fusibles extérieurs.
9. Fonctionnement dans des conditions commerciales ou professionnelles
10. Foudre, incendie, inondations ou autres catastrophes naturelles
11. Si une pièce ou un accessoire a été rajouté sur l'appareil qui ne soit pas un original fourni par Fulgor Milano
12. Les réclamations cosmétiques comme les rayures sur les pièces

en acier inoxydable, dommage à la poignée, etc. sont comprises uniquement dans une garantie limitée, et doivent être réclamées dans les 2 semaines après la date d'achat.

Cette garantie ne couvre que l'appareil et ses composants. Les endommagements de tout élément en contact

direct ou placé près de l'appareil sont généralement exclus de la garantie. Les charges des parties tiers autres que les services après-ventes Fulgor Milano ne seront pas acceptés.

Si l'appareil faisait preuve de dysfonctionnement à cause de la main d'œuvre ou du matériel, l'utilisateur final a uniquement une garantie de réparation ou de remplacement. Dans aucune circonstance, Fulgor Milano pourrait être responsable de perte ou d'endommagement, qu'il soit direct, indirect, ou accidentel, découlant de l'utilisation ou de la mauvaise utilisation de l'appareil.

Afin d'obtenir les droits de garantie, la facture originale doit être fournie au Département des entretiens techniques pour vérifier la date d'achat. Certains Etats ne permettent pas de limitations des endommagements accidentels ou indirects, par conséquent les limitations susmentionnées ou exclusions ne s'appliquent pas.

Dans le cas des réclamations techniques et pour demander un support de service, veuillez contacter d'abord le revendeur où votre appareil

Fulgor Milano a été acheté !

Fulgor Milano

After Sales Service Support & Warranty Information:

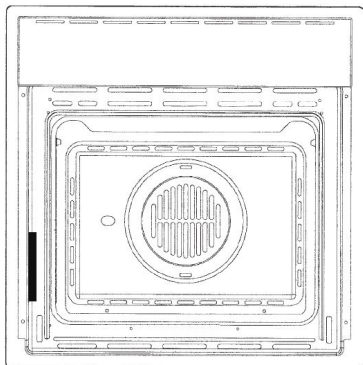
1-855-4-fulgor (855-438-5467)

fulgor@adcoservice.com

FR

Pour l'installateur

Emplacement de la plaque de valeurs



AVERTISSEMENT

Le respect minutieux des indications fournies dans ce manuel est indispensable pour éviter le risque de feu ou d'explosion susceptible d'endommager les biens et de provoquer des blessures, voire même la mort.

Introduction

Lire ces instructions ATTENTIVEMENT et de façon COMPLÈTE. Elles vous feront économiser du temps et des efforts et vous permettront de profiter de votre four au maximum de ses prestations.

Veillez à suivre tous les AVERTISSEMENTS. Ces instructions sont destinées à un installateur qualifié. Outre le respect de ces instructions, l'installation du four doit tenir compte :

- aux États-Unis, des dispositions en matière électrique nationales, de l'État, municipales ou locales,
- au Canada, des dispositions en matière électrique du Canadian Electric Code C22.1 – dernière édition, provinciales, municipales

ou locales,

Le respect minutieux de ces dispositions est de rigueur à tout moment.

REMARQUE : SI VOUS INSTALLEZ VOTRE FOUR AU CANADA, ASSUREZ-VOUS QUE VOTRE MODÈLE EST POURVU DU LISTAGE CANADIEN.



SIGNE INDIQUÉ CI-DESSUS :

Le signe reproduit ci-dessus indique la conformité du four aux normes US et CANADIENNES.

Outils nécessaires

Pour l'installation de votre nouveau four, vous aurez à vous servir des outils suivants :

- mètre ruban, équerre ou règle
- crayon
- tournevis Philips
- niveau à bulle
- pinces coupantes et pince à dénuder
- scie manuelle ou sauteuse
- Scie emporte-pièce 1" (2,5 cm)
- perceuse et mèche de forage
- gants et chaussures de protection
- voltmètre (0-250VAC)

Conditionnement

Avant d'utiliser le four, enlever tous les emballages et les rubans adhésifs. Éliminez le matériel d'emballage du

FR

four conformément aux dispositions en vigueur dans votre ville. Ne laissez jamais les enfants jouer avec le matériel d'emballage.

Exigences de raccordement électrique

Le four doit avoir une tension et une fréquence d'alimentation appropriées. Le four est conçu pour être raccordé à une alimentation électrique à trois fils, monophasée, 120/240V, 60Hz AC, sur un circuit séparé doté de fusibles sur les deux côtés de la ligne. Il est recommandé de prévoir un sectionneur ou un fusible temporisé apte à assurer que la capacité du circuit de l'appareil, indiquée sur la plaque de données sur le cadre derrière la porte du four, n'est pas dépassée.

Le four doit être pourvu de câbles en cuivre ou en aluminium.

Si le fil pour raccorder le four au circuit de dérivation est en aluminium, voir la liste UL des connecteurs pour la jonction cuivre-aluminium. Suivre les instructions fournies avec les connecteurs.

Nous vous recommandons de faire effectuer le câblage électrique et le branchement de votre four par un électricien qualifié. Une fois l'installation terminée, faites-vous expliquer par l'électricien la position du sectionneur principal et identifier les coupe-circuits et les fusibles correspondants au four.

Choix de la position du four

Choisissez attentivement la position du

four.

Le four doit être placé dans une position assurant une utilisation pratique dans la cuisine, mais loin des courants d'air forts.

Une porte ou une fenêtre ouverte, l'air mis en mouvement par les ventilateurs de chauffage/climatisation peuvent causer des courants d'air forts. Assurez-vous que l'alimentation électrique peut être portée jusqu'à la position choisie.

Étapes d'installation

Vous trouverez dans les pages qui suivent les informations nécessaires pour une installation correcte du four, organisées de la manière suivante:

- Données techniques
- Dimensions découpe, espaces requis et instructions de montage pour:
 - Installation encastré, un four
 - Installation au mur, un four
- Conditions d'alimentation électrique et de câblage, programmation nécessaire en cas de raccordement à un circuit 120/208 V. Connexions électriques pour circuit de dérivation à 3-fils ou 4-fils.
- Liste de vérification

Encastrement du four

Le four peut être installé sous un plan de cuisson ou dans une colonne. Les dimensions de l'encastrement

doivent correspondre à celles qui sont indiquées sur la figure.

Le matériau avec lequel le meuble est réalisé doit être en mesure de résister à la chaleur. Le four doit être centré par rapport aux parois du meuble et fixé avec les vis et les douilles fournies à cet effet.

Pour associer le four avec les plans de cuisson polyvalents à gaz et combinés électriques, voir les instructions jointes.

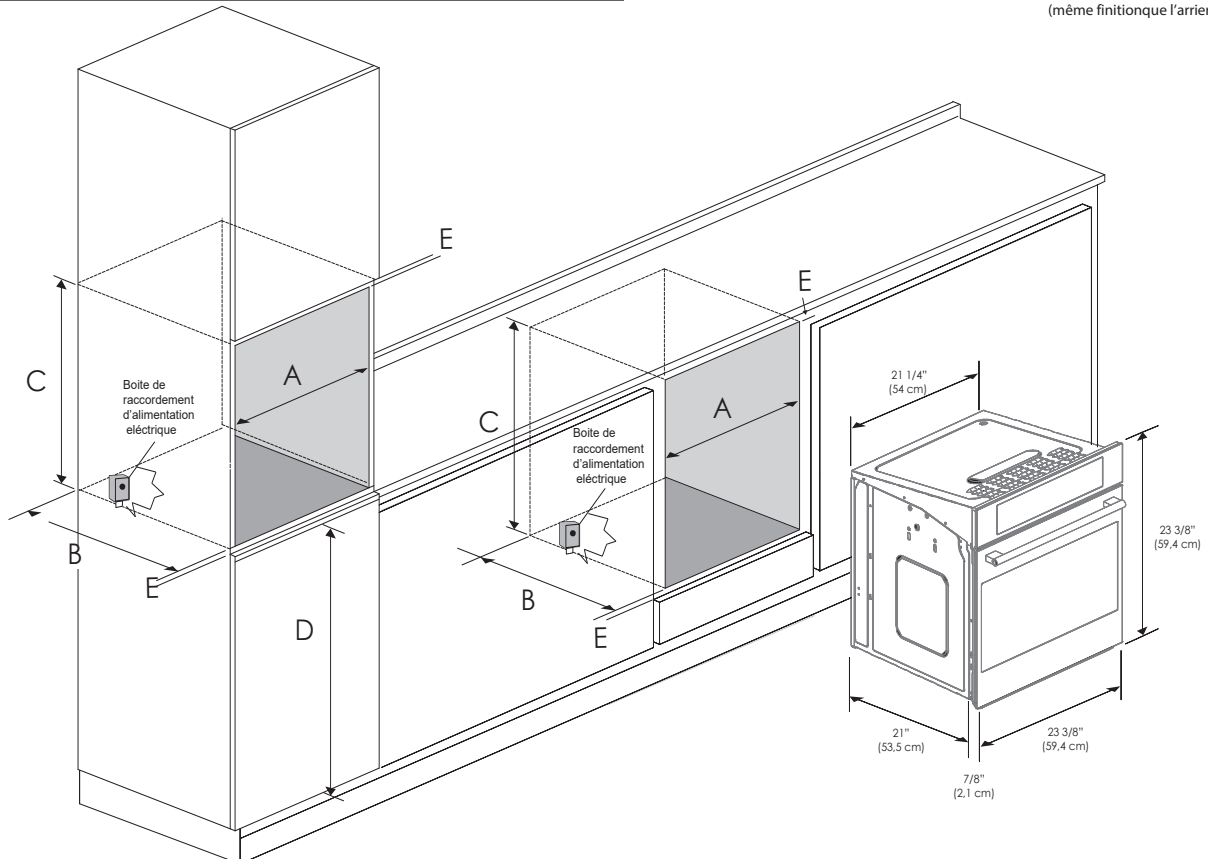
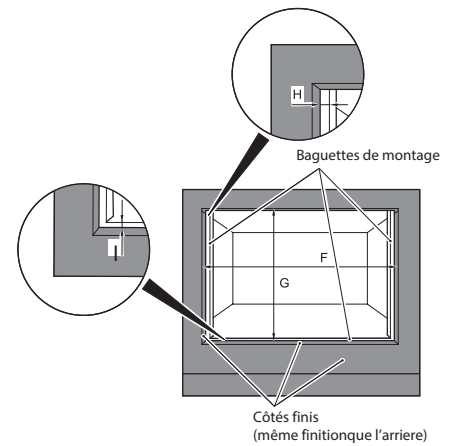
Connexions électriques

Votre appareil doit être convenablement installé et connecté à la terre par un électricien qualifié. Demandez à

FR

Ltr.	DIMENSION	inch	cm
A	Découpe largeur	22 1/16"	56cm
B	Découpe profondeur (min)	22 1/16"	56cm
C	Découpe hauteur	23"	58,5cm
D	Fond de la découpe	34"	86,5cm
E	Installation en alignement	1/2"	1,3cm

INSTALLATION EN ALIGNEMENT			
F	Découpe largeur	21 1/4"	54cm
G	Découpe hauteur	23 3/8"	59,4cm
H	Bandes de support	FJ/HG"	FÈ Åcm
I	Bandes de support	FJ/HG"	FÈ Åcm



votre revendeur de vous conseiller un technicien qualifié ou un centre de réparation agréé.

Cet appareil est fabriqué avec un câble de TERRE vert fourni avec le bâti du four. Après avoir vérifié que l'appareil est éteint, brancher le conduit flexible allant du four à la boîte de jonction à l'aide du connecteur conduit présent dans la liste U.L. Les figures A et B et les instructions fournies ci-dessous présentent la manière la plus courante de raccordement des fours.

Bien sûr, les normes et réglementations locales prévalent sur ces instructions. Connexions électriques complètes selon les normes et réglementations locales.

“AVERTISSEMENT Risque de choc électrique, bâti mis à la terre connecté au neutre de l'appareil à travers un lien.

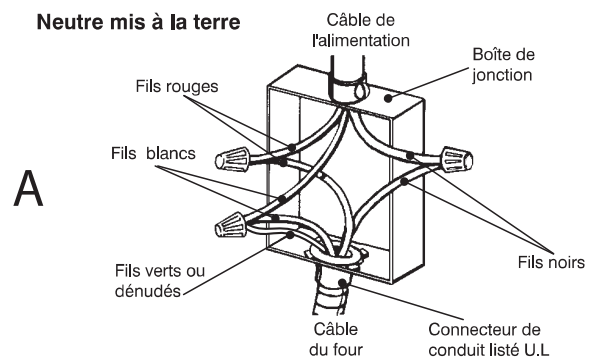
Il est interdit d'effectuer la mise à la terre à travers le conducteur neutre pour l'installation d'un circuit de dérivation neuf (1996 NEC); les maisons mobiles et les véhicules de loisirs, ou dans une zone dans laquelle la mise à la terre à travers le conducteur neutre est interdite. Pour installations avec mise à la terre à travers le conducteur neutre. Pour installations dans lesquelles la mise à la terre à travers le conducteur neutre est interdite :

- Déconnecter la terre du neutre à l'extrémité libre du circuit.
- Utiliser le terminal de mise à la terre ou les porter jusqu'à l'unité de mise à la terre en procédant comme d'habitude.

Connexion à 3 fils (Pour US seulement)

Selon la Figure A, où les codes locaux permettent la connexion du conducteur de terre du four au fil NEUTRE du circuit de branchement (fil gris ou coloré blanc):

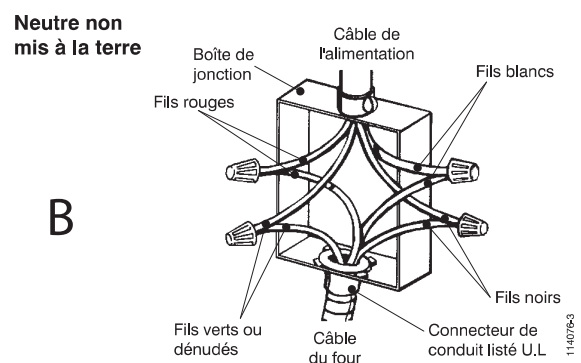
- Si les codes locaux le permettent, connectez le conducteur de terre vert du four et le fil blanc du four au fil NEUTRE du circuit de branchement (fil gris ou coloré blanc).
- Connectez les broches de raccordement du four aux broches de raccordement correspondantes dans le boîtier de raccordement.



Connexion à 4 fils (Pour des US ou CANADA)

Selon la Figure B :

- Connectez le conducteur de terre vert du four au conducteur de terre dans le boîtier de raccordement (fil nu ou coloré vert).
- Connectez les broches de raccordement rouge et noir du four aux broches de raccordement correspondantes dans le boîtier de raccordement.
- Connectez le fil vert du four au fil neutre (gris ou blanc) dans le boîtier de raccordement.



GARANTIE Fulgor Milano pour l'électroménager

Durée de la garantie:

La garantie **Fulgor Milano** couvre, pendant vingt-quatre mois à partir de la date originale d'achat, toutes les pièces et le travail mis en œuvre pour la réparation et le remplacement de toutes parties du produit utilisées dans un contexte résidentiel normal et frappées de vices de matériau et de fabrication.

Conserver la facture originale et le bordereau de livraison comme attestation du droit à la garantie.

Pour pouvoir bénéficier du service de garantie, procéder de la manière suivante:

1. Contactez le service agréé Fulgor-Milano
 - www.thevettagroup.com/servicerequest.a5w
 - fulgor@adcoservice.com
 - Numéro de téléphone gratuit: 1-855-4-fulgor (1-855-438-5467)
2. Présentez une copie de votre ticket d'achat original avec le numéro de modèle et le numéro de série du produit.
3. Permettez à **Fulgor Milan** de vérifier votre réclamation avant que le Produit ou une quelconque partie du Produit aient été modifiées ou supprimées

CLAUSES DE GARANTIE

Cette garantie est valable uniquement dans les 50 états continentaux des États-Unis et au Canada. Elle s'applique uniquement à l'acheteur original et n'est pas transférable. Tous les services fournis par **Fulgor Milano** au titre de la garantie doivent être effectués auprès d'un service d'assistance agréé **Fulgor Milano** sauf indication contraire de ce dernier. Les services seront prêtés aux heures de travail habituelles de chaque région. La présente garantie s'applique uniquement aux produits achetés auprès d'un revendeur autorisé à travers une chaîne de distribution agréée; il est destiné à une utilisation résidentielle normale, tout usage commercial ou installation sur une embarcation étant expressément exclus. La garantie couvre les activités réalisés sur le site d'installation du produit; les frais d'une réparation réalisée en un autre lieu sont exclus sauf autorisation expresse de **Fulgor Milano**. Les frais de déplacement dérivés d'une prestation d'assistance à réaliser dans un endroit éloigné sont exclus. Par endroit éloigné, on entend à une distance supérieure à un rayon de 50 miles (80 kilomètres) du siège du revendeur autorisé. Cette garantie ne couvre pas les pièces de rechange ni les réparations en cas de défaillances dérivés de négligence, transport, livraison, tension inadéquate, accident ou usage, entretien, installation, révision ou réparation ou installation impropres, ce qui comprend notamment, entre autres, le démontage et la réinstallation impropres d'un composant du produit quel qu'il soit (par exemple démontage des poignées pour le faire passer par une porte) avant ou pendant la livraison/installation du produit. Les interventions décrites ici sont les seules que fournit **Fulgor Milano** aussi bien au titre de cette garantie que dans le cadre de toute autre garantie applicable aux termes de la loi.

Fulgor Milano n'est pas responsable de la perte du produit par détérioration ou par combustion, ni des dommages subis par le mobilier et les matériaux de construction ou de finition, notamment les revêtements de sol.

Fulgor Milano décline toute responsabilité pour tout dommage conséquent ou indirect dérivé du non-respect de ces garanties ou d'autres garanties explicites, implicites ou obligatoires.

La présente garantie ne deviendra valide et efficace qu'avec la présentation du document attestant la date d'achat de l'appareil, précisément de la facture ou du ticket d'achat ou tout document équivalent indiquant le nom du vendeur, la date de livraison et les données d'identification de l'appareil (par ex. numéro du modèle, numéro de série). Dans le cas d'un produit neuf inclus dans l'achat d'une nouvelle construction résidentielle, la garantie s'applique au premier habitant des locaux contenant le produit **Fulgor Milano** et la date de prise d'effet de la garantie sera celle de prise de possession de la résidence (certificat d'occupation requis) et, de toutes façons, à six mois au plus de la date d'achat du produit par la société auprès du distributeur ou revendeur.

Cette extension ne s'applique pas aux éléments décrits dans la note 1 ci-dessous.

Cette garantie n'est valide que si la différence entre la date d'achat et la date de fabrication du produit est inférieure à un an.

Un produit resté en stock pendant plus d'un an sera couvert par la garantie Stock B/Modèle destiné à l'exposition de **Fulgor Milano**.

Pendant la période de garantie, **Fulgor Milano** se réserve le droit d'évaluer l'opportunité de réparer l'appareil ou, à sa discrétion, de le remplacer par un produit **Fulgor Milano** de caractéristiques et fonctions équivalentes.

Fulgor Milano se réserve le droit de revoir à tout moment la présente garantie.

Certains États ne permettent pas l'exclusion ni la limitation des dommages accessoires ou conséquents; la limitation ou exclusion visée plus haut pourrait donc ne pas s'appliquer dans votre cas. La présente garantie vous octroie des droits légaux spécifiques; vous pourriez bénéficier d'autres droits qui peuvent varier d'un État à l'autre.

¹ Les portes, poignées, cadres, supports, surfaces intérieures et extérieures du produit sont couverts par une garantie limitée de 30 jours pour défauts cosmétiques en sortie d'usine.

* Les ampoules électriques de rechange ne sont pas couvertes par la garantie de produit.

FULGOR MILANO

After Sales Service Support & Warranty Information:
1-855-4-fulgor (855-438-5467)

fulgor@adcoservice.com



FULGOR MILANO®

Meneghetti S.p.a. Via Borgo Lunardon, 8 • 36027 Rosà (Vicenza) - Italy
<http://www.fulgor-milano.com> • e-mail: info@fulgor-milano.com