



VR414610
Vario electric grill 400 series
Stainless steel
Width 15"

2 separately controlled zones
Cast pan, half size, for simultaneous frying and grilling on two separate surfaces
Open cast grill, lava stones
Solid stainless steel control knob
Precision crafting of 3 mm stainless steel
For surface installation with a visible edge or for flush installation
Can be combined perfectly with other 400 series Vario appliances

Operation
 Control knobs with illuminated ring, cooking zone and output level markings.
 Electronic control in 12 output levels.

Features
 Cooktop, lavastone container and grease drip tray are made from stainless steel.
 2 independently controlled heating elements (1,500 W)
 Two-part cast grill.

Safety
 Safety shut-off.

Planning notes
 Depending on the type of installation (surface-mounted or flush-mounted, with or without an appliance cover), the specific location of the cut-out and the knob positions may vary.
 If installing with the appliance cover VA 440 or adjustment strip VA 450 take into account the additional space required for the depth.
 If combining several appliances with at least one appliance cover, the adjustment strip VA 450 is required to compensate for the depth of the appliance without the appliance cover.
 If combining several Vario appliances of the 400 series, a connection strip VA 420 must be placed between the appliances. Depending on the type of installation, the corresponding connection strip must be provided.
 In the cut-out, the installation system requires the side edge to be at least 10 mm for surface installation and at least 13 mm for flush installation. Ensure a continuous cut surface of 90°.
 The bearing capacity and stability, in the case of thin worktops in particular, must be supported using suitable substructures. Take into account the appliance weight and additional loads. Additional instructions for flush installation:
 Installation is possible in worktops made of stone, synthetics or solid wood. Heat resistance and watertight sealing of the cut edges must be observed. Concerning other materials please consult the worktop manufacturer.
 The groove must be continuous and even, so that uniform placing of the appliance on the gasket is ensured. Do not use discontinuous lining.
 The joint width may vary due to size tolerances of the combinations and of the worktop cut-out.
 If installing several appliances in individual cut-outs allow for a division bar of minimum 50 mm between the individual cut-outs.

Product Features
Product name / series name
 Vario/Domino barbecue grill
Construction type
 Built-in
Energy source
 Electric
Type of control
 Electronic
Grill grating material
 Cast iron
Required cutout size (HxWxD) (mm)
 95 x 360 x 490
Width of the product (mm)
 380
Overall appliance dimensions (HxWxD) (mm)
 95 x 380 x 520
Net weight (kg)
 14.0
Gross weight (kg)
 16.0
Residual heat indicator
 Separate
Location of control panel
 Hob front
Basic surface material
 Cast iron
Color of surface
 Stainless steel, Stainless steel
Color of frame
 Stainless steel
Approval certificates
 ETL, ETL C
Power cord length (cm)
 180

Consumption and connection features
Watts (W)
 3000
Gas connection rating (W)
Current (A)
 15; 12,60
Volts (V)
 208-240
Frequency (Hz)
 50; 60
2016-09-15
Page 1

Built-in control panel can be integrated in the bottom cabinet at drawer level. Panel thickness 5/8" - 1".
 The drawing "Installation of the control knob" must be observed if the panel is more than 1" thick (there must be a recess at the rear).
 A minimum lateral clearance of at least 3 1/2" from adjacent heat-sensitive furniture or from the wall must be observed.
 Appliance can be snapped into the worktop from above.
 Appliance weight: approx. 14 kg.

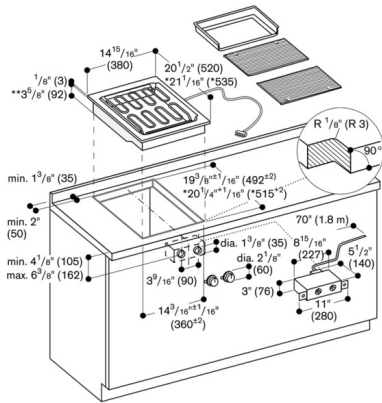
Rating
 Total connected load 3.0 kW.
 Plan a connection cable.

Color Variants
VR414610
Stainless steel
Width 15"

Included accessories
 1 x cast pan, half size.
 1 x grease drip tray.
 2 x cast iron grill.
 1 x lava stones.
 1 x cleaning brush.

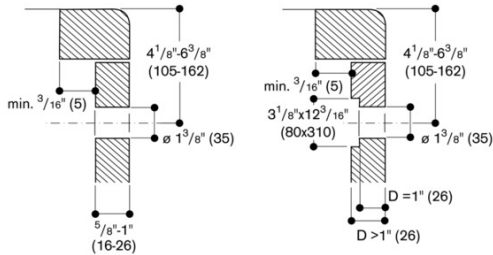
Optional accessories
LV030000
Lava stones for refilling

Installation Accessories
VA420010
Connection strip for combination with other Vario appliances of the 400 series for surface installation

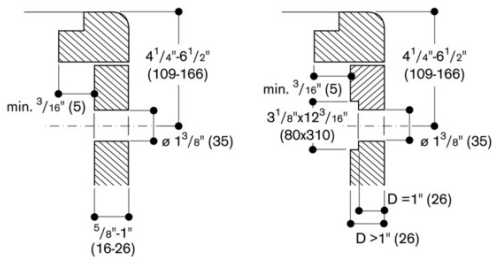


* with appliance cover or adjustment strip.
 See separate planning notes.
 ** 4¹/₈" (105 mm) in the area of the cable clip (right, center).

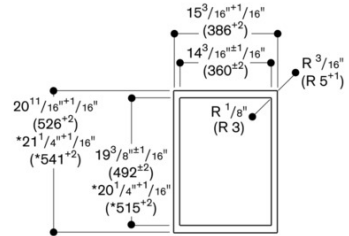
Control knob installation, surface-mounted installation



Control knob installation, flush-mounted installation

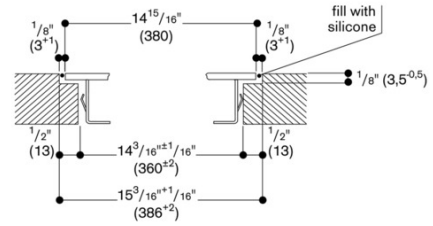


View from above

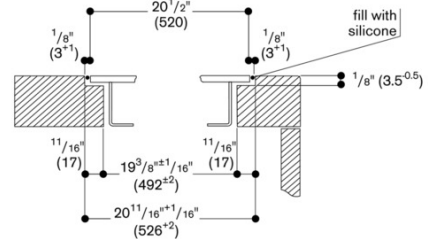


* with appliance cover or adjustment bar (observe front and rear asymmetrical assembly, see separate notes "assembly with appliance cover/adjustment bar").

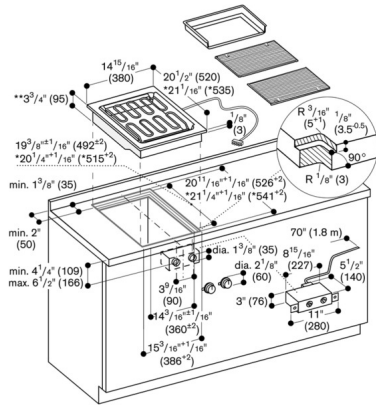
Longitudinal section



Cross-section

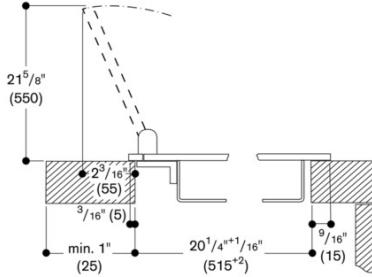


For installation with appliance cover or adjustment bar, observe the deeper notch and the slot width front and back.



* with appliance cover or adjustment strip.
 See separate planning notes.
 ** 4 1/4" (109 mm) in the area of the cable clip (right, center).

**Installation with appliance cover/adjustment strip;
 surface installation**



**Installation with appliance cover/adjustment strip;
 Flush Installation**

