



#### Color Variants

**RW404761**  
under-counter, stainless steel framed  
glass door  
Niche width 23 5/8" (60 cm), Niche  
height 34 1/4" (82 cm)

#### Optional accessories

**RA050200**  
Replacement activated charcoal air  
filters, set of two, for upper and lower  
temperature zone

#### RW404761

**Wine storage unit**  
under-counter, stainless steel framed  
glass door  
Niche width 23 5/8" (60 cm), Niche  
height 34 1/4" (82 cm)

Two individual temperature zones,  
both continuously variable  
Consistant temperatures, adjustable  
from 40 °F to 64 °F (+5 °C to 18 °C)  
Humidity control.  
Extendable bottle trays in beech and  
aluminum  
LED lightning  
Cushioned door closing system  
allowing a soft and controlled door  
closure  
Door lock  
Capacity 34 bottles

#### Operation

Electronic temperature control with  
digital display.  
Push release door opening system.  
Lighting is integrated into the ceiling  
and control panel and can be switched  
on even when the door is closed.  
Interior light dims automatically when  
opening and closing the door.

#### Technical features

Dynamic cool air distribution.  
Automatic defrosting with defrost water  
evaporation.  
Cushioned door closing system  
integrated in door hinge.  
1 activated charcoal air filter for both  
climate zones.  
UV-protection.  
Open-door and malfunction alarm.  
Dust filter, dishwasher-safe.

#### Features

Net volume 4.3 cu. ft.  
(94 liters)  
Capacity 34 bottles (based on 0.75/l  
standard bottles).  
5 bottle trays, three of which are  
extendable.  
Storage of magnum bottles possible.  
LED lightning

#### Consumption data

Energy consumption 144 kwh/year.  
Noise level 38 dB (re 1 pW).

#### Planning notes

Flat hinge.  
Door hinge right, reversible.  
Height-adjustable feet.  
Door opens up to 95° and can be fixed.  
For integration next to a side wall  
a clearance of 5 7/8" hinge side is  
necessary.  
Plan a power outlet outside of the cut-  
out niche.  
No transport/operation above 1.500 m  
sea level.

#### Rating

Total connected load 0.20 kW.  
115 V / 60 Hz  
Total Amps: 10 A  
Connecting cable 70 7/8" with plug.

#### Product Features

Number of temperature zones  
1  
Range of temperature (°C)  
5-20  
Eco Mode  
No  
Carbon Air Filter  
No  
Presenter Lighting  
Presenter Shelf  
Type of Glass Door  
2 glass panels, UV-filter  
Number of adjustable shelves  
0  
Number of shelves  
5  
Bottles per Shelf  
Door hinge  
Right  
Shelf Material - Refrigerator  
wood  
Reversible Door Hinge  
No  
Lighting

#### Consumption and connection features

UPC code  
825225910343  
Color / Material housing  
Grey

#### Colour.Material door

Panel ready

Not possible

#### Installation Type

Built-under

#### Silence level (dBA)

38

#### Watts (W)

200

#### Current (A)

10

#### Volts (V)

115

#### Frequency (Hz)

60

#### Energy consumption per Year (kWh/a) winecooler

#### Approval certificates

CSA, ETL, UL

#### Power cord length (in)

70 7/8"

#### Plug type

120V-3 prong

#### Required cutout size (HxWxD) (in)

34 1/4" x 23 5/8" x 21 7/8"

#### Appliance Width (in)

23 1/2"

#### Height (in)

34 1/8"

#### Depth (in)

22 1/2"

#### Capacity in 0.75l (bordeaux bottles)

34

#### Total unit gross capacity (cu. ft.) - AHAM

#### Product packaging dimensions

(HxWxD) (in)

34.29 x 25.78 x 27.24

#### Net weight (lbs)

111

#### Gross weight (lbs)

120

2016-07-08

Page 1

RW404761

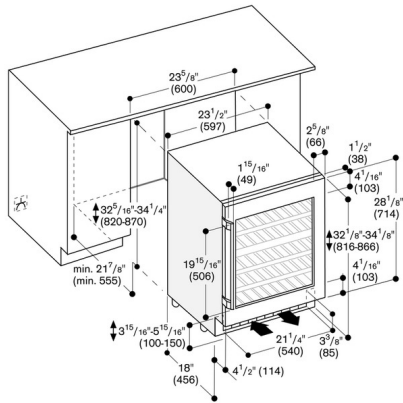
Wine storage unit

under-counter, stainless steel framed  
glass door

Niche width 23 5/8" (60 cm), Niche  
height 34 1/4" (82 cm)

2016-07-08

Page 2



**GAGGENAU**