



AI 442 720

Stainless steel
 Width 48" (120 cm)
 Air extraction/recirculation
 Without blower. (Choose from
 AR 400 743 internal, AR 400 742
 inline or AR 401 742 remote blower.)
 Duct cover not included.

**Installation accessories
 for exhaust air mode**

AD 442 016
 Stainless steel duct cover,
 length: 24 7/16", for 7' 9" – 8' 6" ceiling
 heights (2.35 – 2.60 m),
 installation tower included.

AD 442 026
 Stainless steel duct cover,
 length: 33 7/8", for 8' 6" – 10' 2" ceiling
 heights (2.60 – 3.10 m),
 installation tower included.

**Installation accessories
 for recirculation air mode**

AD 442 116
 Stainless steel duct cover,
 length 24 7/16", for 7' 9" – 8' 6" ceiling
 heights (2.35 – 2.60 m),
 installation tower included.

AD 442 126
 Stainless steel duct cover,
 length: 33 7/8", for 8' 6" – 10' 2"
 ceiling heights (2.60 – 3.10 m),
 installation tower included.

AA 442 810
 Recirculation kit including two
 activated charcoal filters with
 highly efficient odor reduction.
 For installation on the inner duct
 cover (see adjacent drawing).

Optional accessories

AA 442 110
 2 activated charcoal filters with highly
 efficient odor reduction. For use with
 recirculation kit AA 442 810.

**400 series island hood
 AI 442**

- Professional technology hood combined with classic Gaggenau design
- Highly efficient extraction of cooking vapors due to a large vapor collection area
- Comes without blower, can be combined with Gaggenau's highly performing and highly efficient brushless DC (BLDC) blowers
- Angled baffle filter with high grease absorption level
- Automatic function, sensor-controlled power adjustment depending on the build-up of cooking vapors
- Dimmable, warm white LED lighting for ideal illumination of the cooking surface
- Air extraction or recirculation system
- Recirculation kit with activated charcoal filters: quiet and highly efficient recirculation solution with odor reduction as in air extraction mode, and long replacement intervals

Output

For CFM information, refer to the blower overview on page xx.

Features

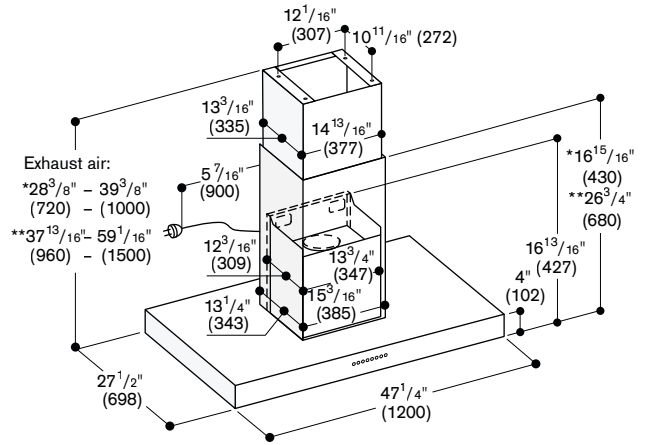
Three electronically controlled power levels and one intensive mode. Automatic function with sensor-controlled delayed shut-off function. Grease filter saturation indication through flashing light. Baffle filter, dishwasher-safe. Warm white surface LED light (3500 K), continuously dimmable. Lamp output 4 x LED light bars 10 W. Illuminance 1390 lx. Easy mounting system for simple installation and alignment.

Planning notes

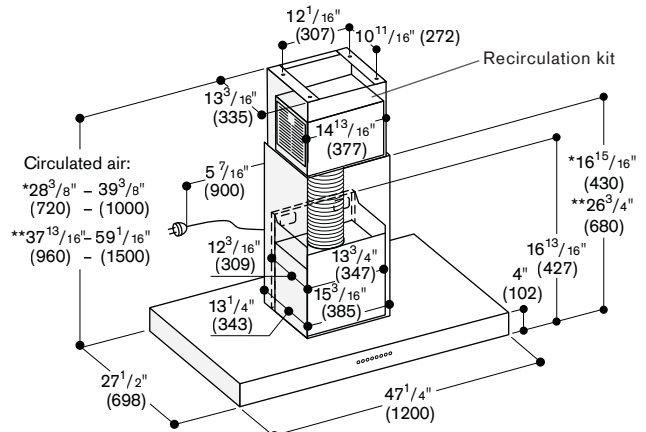
To chose the correct blower for either extraction or recirculation, refer to the 400 series blower overview on page xx. The two-part duct cover must be ordered as a separate installation accessory. Connection to the respective blower via network cable. Minimum clearance above gas cooktops 28". Minimum clearance above electric cooktops 24".

Rating

Total rating: 50 W.
 Total Amps: 3
 120 V / 60 Hz
 Connecting cable 3' with plug.

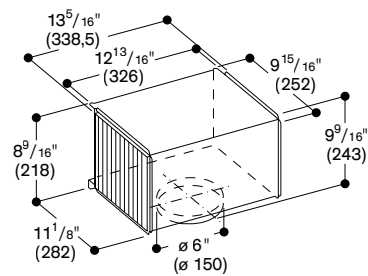


* With the exhaust air duct cover AD 442 016 suitable for ceiling heights of 7.9 ft (2.35 m) to 8.6 ft (2.60 m).
 ** With the exhaust air duct cover AD 442 026 suitable for ceiling heights of 8.6 ft (2.60 m) to 10.2 ft (3.10 m); specifications refer to a distance of 5.2 ft (1.60 m) from floor to lower duct cover edge.



* With the air recirculation duct cover AD 442 116 suitable for ceiling heights of 7.9 ft (2.35 m) to 8.6 ft (2.60 m).
 ** With the air recirculation duct cover AD 442 126 suitable for ceiling heights of 8.6 ft (2.60 m) to 10.2 ft (3.10 m); specifications refer to a distance of 5.2 ft (1.60 m) from floor to lower duct cover edge.

Recirculation kit AA 442 810



Numbers indicated inside parenthesis () = mm