

Gaggenau

Use and care manual

Guide d'utilisation et d'entretien

Manual de uso y cuidado

AI 230 700

HOOD

Hotte aspirante

Campana extractora

Table of Contents

Instructions for use	3	Installation Instructions	12
Safety Definitions	3	IMPORTANT SAFETY INSTRUCTIONS	13
IMPORTANT SAFETY INSTRUCTIONS	4	Appliance Handling Safety	14
General notes	4	Safety Codes and Standards	14
Fire Safety	4	Electric Safety	14
Burn Prevention	5	Related Equipment Safety	15
Child Safety	5	Before You Begin	16
Cleaning Safety	6	Tools and Parts Needed	16
Safe use	6	Parts Included	16
Proper Installation and Maintenance	6	Appliance dimensions	16
State of California Proposition 65 Warnings	7	Safety clearances	17
Causes of damage	7	General notes	17
Protecting the environment	7	Exhaust air mode	17
Operating modes	8	Ventilation line	17
Exhaust air mode	8	Preparing the ceiling	18
Circulating-air mode	8	Electrical connection	18
Operation	8	Installation	18
Operating the appliance	8	Fitting the upper support frame	18
Turn on the fan	8	Fitting the lower support frame	19
Intense level	9	Installing the appliance	19
Run-on function	9	Attaching flue duct	20
Interval ventilation	9		
Lighting	9		
Saturation notification	9		
Cleaning and maintenance	10		
Troubleshooting	11		
Customer service	12		
Accessories for circulating-air mode	12		

Additional information on products, accessories, replacement parts and services can be found at www.gaggenau.com and in the online shop www.gaggenau-eshop.com

Safety Definitions

WARNING

This indicates that death or serious injuries may occur as a result of non-observance of this warning.

CAUTION

This indicates that minor or moderate injuries may occur as a result of non-observance of this warning.

NOTICE: This indicates that damage to the appliance or property may occur as a result of non-compliance with this advisory.

Note: This alerts you to important information and/or tips.



IMPORTANT SAFETY INSTRUCTIONS

READ AND SAVE THESE INSTRUCTIONS

WARNING

When properly cared for, your new appliance has been designed to be safe and reliable. Read all instructions carefully before use. These precautions will reduce the risk of burns, electric shock, fire, and injury to persons. When using kitchen appliances, basic safety precautions must be followed, including those in the following pages.

General notes

Examine the appliance after unpacking it. In the event of transport damage, do not plug it in.

Fire Safety

Always have a working smoke detector near the kitchen.

WARNING

TO REDUCE THE RISK OF A RANGE TOP GREASE FIRE:

- a) Never leave surface units unattended at high settings. Boilovers cause smoking and greasy spillovers that may ignite. Heat oils slowly on low or medium settings.
- b) Always turn hood ON when cooking at high heat.
- c) Clean ventilating fans frequently. Grease should not be allowed to accumulate on fan or filter.
- d) Use proper pan size. Always use cookware appropriate for the size of the surface element.

Do not flambé under the extractor hood or work with a naked flame. When switched on, the extractor hood draws flames into the filter. There is a risk of fire due to deposits on the grease filter!

CAUTION

For general ventilating use only. Do not use to exhaust hazardous or explosive materials and vapors.

Do not operate any fan with a damaged cord or plug. Discard fan or return to an authorized service facility for examination and/or repair.

Do not run cord under carpeting. Do not cover cord with throw rugs, runners, or similar coverings. Do not route cord under furniture or appliances. Arrange cord away from traffic area and where it will not be tripped over.

In the event that personal clothing or hair catches fire, drop and roll immediately to extinguish flames.

Smother flames from food fires other than grease fires with baking soda. Never use water on cooking fires.

WARNING

TO REDUCE THE RISK OF INJURY TO PERSONS IN THE EVENT OF A RANGE TOP GREASE FIRE, OBSERVE THE FOLLOWING:

- SMOTHER FLAMES with a close-fitting lid, cookie sheet, or metal tray, then turn off the burner. BE CAREFUL TO PREVENT BURNS. If the flames do not go out immediately, EVACUATE AND CALL THE FIRE DEPARTMENT.
 - NEVER PICK UP A FLAMING PAN – You may be burned.
 - DO NOT USE WATER, including wet dishcloths or towels – a violent steam explosion will result.
 - Use an extinguisher ONLY if:
 - You know you have a Class ABC extinguisher, and you already know how to operate it.
 - The fire is small and contained in the area where it started.
 - The fire department is being called
 - You can fight the fire with your back to an exit.
-

Have an appropriate fire extinguisher available, nearby, highly visible and easily accessible near the appliance.

Whenever possible, do not operate the ventilation system during a cooktop fire. However, do not reach through fire to turn it off.

WARNING

Risk of fire

Grease deposits in the grease filter can ignite.

Clean the grease filter at least every two months.

Never operate the appliance without the grease filter.



IMPORTANT SAFETY INSTRUCTIONS

READ AND SAVE THESE INSTRUCTIONS

WARNING

Risk of fire

Grease deposits in the grease filter can catch fire. Never work with a naked flame near the appliance (e.g. flambéing). Install the unit near a heat-producing appliance for solid fuels (e.g. wood or coal) only if there is a closed, non-detachable cover. There must be no flying sparks.

WARNING

Risk of fire

When gas burners are in operation without any cookware placed on them, they can build up a lot of heat. A ventilation appliance installed above the cooker may become damaged or catch fire. Only operate the gas burners with cookware on them.

WARNING

Risk of fire

During simultaneous use of multiple gas cooktops, a great deal of heat is created. A ventilation device located above it can become damaged or catch fire. Never use two gas cooktops together at maximum heat for longer than 15 minutes. One large burner with over 17,000 Btu/hr (5 kW) (wok) is equal to the wattage of two gas burners.

WARNING

Risk of fire

Operating several gas burners at the same time gives rise to a great deal of heat. The ventilation appliance may become damaged or catch fire. The ventilation appliance must only be combined with gas burners that do not exceed the maximum total output of 61,000 Btu/hr (18 kW). If 41,000 Btu/hr (12 kW) is exceeded, the local regulations concerning room ventilation, room size, and combination with ventilation devices in exhaust and recirculating operation must be heeded.

WARNING

Risk of fire

Hot oil and fat catch fire fast. Never leave hot oil and fat unsupervised. Never extinguish a fire with water. Switch off the cooking position. Suffocate flames carefully with a lid, a fire blanket or similar.

Burn Prevention

WARNING

Risk of burns

The accessible parts get hot during operation. Never touch hot parts. Keep children away.

Child Safety

When children become old enough to use the appliance, it is the legal responsibility of the parents or legal guardians to ensure that they are instructed in safe practices by qualified persons.

Remove all tape and packaging before using the appliance. Destroy the packaging after unpacking the appliance. Never allow children to play with packaging material.

Do not allow anyone to climb, stand, lean, sit, or hang on any part of an appliance, especially a door, warming drawer, or storage drawer. This can damage the appliance, and the unit may tip over, potentially causing severe injury.

Do not allow children to use this appliance unless closely supervised by an adult. Children and pets should not be left alone or unattended in the area where the appliance is in use. They should never be allowed to play in its vicinity, whether or not the appliance is in use.

CAUTION

Items of interest to children should not be stored in an appliance, in cabinets above an appliance or on the backsplash. Children climbing on an appliance to reach items could be seriously injured.



IMPORTANT SAFETY INSTRUCTIONS

READ AND SAVE THESE INSTRUCTIONS

Cleaning Safety

WARNING

Be sure the entire appliance (including the grease filters and light bulbs, if applicable) has cooled and grease has solidified before attempting to clean any part of the appliance.

Do not use steam cleaners to clean the appliance.

Safe use

WARNING

Do not repair, replace or remove any part of the appliance unless specifically recommended in the manuals. Improper installation, service or maintenance can cause injury or property damage. Refer to this manual for guidance. All other servicing should be done by a qualified technician.

WARNING

Risk of injury

Items placed on the appliance may fall down. Do not place any objects on the appliance.

WARNING

Risk of injury

The light emitted by LED lights is very dazzling, and can damage the eyes (risk group 1). Do not look directly into the switched on LED lights for longer than 100 seconds.

Proper Installation and Maintenance

Have the installer show you the location of the circuit breaker or fuse. Mark it for easy reference.

This appliance must be properly installed and grounded by a qualified technician. Connect only to properly grounded outlet. Refer to Installation Instructions for details.

This appliance is intended for normal family household use only. It is not approved for outdoor use. See the Warranty. If you have any questions, contact the manufacturer.

Do not store or use corrosive chemicals, vapors, flammables or nonfood products in or near this appliance. It is specifically designed for use when heating or cooking food. The use of corrosive chemicals in heating or cleaning will damage the appliance and could result in injury.

Do not operate this appliance if it is not working properly, or if it has been damaged. Contact an authorized servicer.

Do not repair or replace any part of the appliance unless specifically recommended in this manual. Refer all servicing to a factory authorized service center.

CAUTION

Grease left on filters can remelt and move into the vent.

CAUTION

Turn power off at breaker before removing a damaged bulb. Do not touch the bulbs immediately after use. The bulbs will remain hot for several minutes.

WARNING

Make sure the appliance and lights are cool and power to the appliance has been turned off before replacing the light bulb(s). Failure to do so could result in electrical shock or burns. The lenses (if equipped) must be in place when using the appliance. The lenses (if equipped) serve to protect the light bulb from breaking. The lenses (if equipped) are made of glass. Handle carefully to avoid breaking. Broken glass can cause an injury.

Hidden surfaces may have sharp edges. Use caution when reaching behind or under appliance.

WARNING

When the hood is operated in exhaust-air mode simultaneously with a different burner which also makes use of the same chimney (such as gas, oil or coal-fired heaters, continuous-flow heaters, hot-water boilers) care must be taken to ensure that there is an adequate supply of fresh air which will be needed by the burner for combustion.

Safe operation is possible provided that the under pressure in the room where the burner is installed does not exceed 4 Pa (0.04 mbar).

This can be achieved if combustion air can flow through non-lockable openings, e.g. in doors, windows and via the air-intake/exhaust-air wall box or by other technical measures, such as reciprocal interlocking, etc.

WARNING

Avoid carbon monoxide poisoning – Provide adequate air intake so combustion gases are not drawn back into the room.

An air-intake/exhaust-air wall box by itself is no guarantee that the limiting value will not be exceeded.

Note: When assessing the overall requirement, the combined ventilation system for the entire household must be taken into consideration. This rule does not apply to the use of cooking appliances, such as cooktops and ovens.

State of California Proposition 65 Warnings

WARNING

This product contains chemicals known to the State of California to cause cancer, birth defects or other reproductive harm.

Causes of damage

NOTICES:

- Risk of damage due to corrosion. Always turn appliance on when cooking to avoid condensation buildup. Condensation can lead to corrosion damages.
- Risk of damage due to ingress of humidity into the electronic circuitry. Never clean operator controls with a wet cloth.
- Surface damage due to incorrect cleaning. Clean stainless steel surfaces in the grind direction only. Do not use any stainless steel cleaners for operator controls.
- Surface damage due to strong or abrasive cleaning agents. Never use strong and abrasive cleaning agents.
- Risk of damage from condensation back flow. Install exhaust vent at a slight downward slope away from the appliance (1° slope).

Protecting the environment

Unpack the appliance and dispose of the packaging in line with environmental requirements.

Operating modes

You can use this appliance in the air extraction or the recirculation mode.

Exhaust air mode



The air that is drawn in is cleaned by the grease filters and conveyed to the exterior by a pipe system.

Note: Ventilation may not exit through an already operational smoke or exhaust chimney, nor a duct used for ventilating furnace installation areas.

- If the ventilation is intended to pass through a smoke or exhaust that is not in operation, the responsible area heating inspector must give approval.
- If the ventilation passes through an external wall, use a telescope wall sleeve.

Circulating-air mode



The air that is drawn in is cleaned by the grease filters and an activated carbon filter and conveyed back into the kitchen.

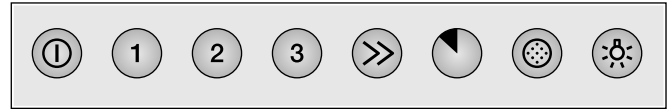
Note: To bind odors in circulating-air mode, you must install an activated carbon filter. The different options for operating the appliance in circulating-air mode can be found in the brochure. Alternatively, ask your dealer. The required accessories are available from specialist retailers, from customer service or from the Online Shop. The accessory numbers can be found at the end of the instructions for use.

Operation

Note: Turn the extractor hood on when you start cooking and switch it off again a few minutes after you have finished cooking. This is the most effective way to eliminate cooking vapor.

Operating the appliance

Control panel



Explanation

ⓘ Fan On/off

1 Fan speed 1

2 Fan speed 2

3 Fan speed 3

>> Intensive setting

🕒 Run-on function

🌫 Saturation display

💡 Light on/off

Turn on the fan

Switching on

For extraction there are three ventilator speeds and an Intensive setting available.




- 1 Press the ⓘ button to switch on the appliance. The fan starts in setting 2.
- 2 With the buttons 1, 2, 3 or >>, set the fan speed according to the cooking situation.

Switching off

Use the ⓘ button to switch the appliance off.




Intense level

For especially strong odor or vapor, use the intense level.

- 1 Press the  button to switch on the appliance. The fan starts in setting 2.
- 2 Press the  button to switch on the Intensive setting.
Note: If the button was pressed while the fan is running on speed 1, 2 or 3, the electronics automatically switch back to the previously-selected fan speed after 5 minutes.
- 3 To switch off the Intensive setting earlier, press the  button or the button for another fan speed.

Setting the duration




You can set the duration after which the Intensive setting switches off automatically.

Duration	Press buttons simultaneously
3 minutes	 and 1
5 minutes	 and 2
10 minutes	 and 3

The factory setting is set to 5 minutes.





Run-on function

The run-on function can be set for any fan speed.

- 1 First press the button for the desired fan speed 1, 2, 3 or  and then press the  button.
Notes
 - The run-on time is ten minutes for all fan speed settings. Once this time has elapsed, ventilation switches off automatically.
 - If the lighting is switched on, it remains on.
- 2 To switch off the run-on function earlier, press the  button.


Interval ventilation

For interval ventilation, the device is switched on automatically for five minutes per hour.


- 1 Press the  button to switch on the appliance. The fan starts at level 2. The interval ventilation can be used on level 1, 2 or 3.
- 2 Press the run-on button  twice.
Note: This mode is indicated by alternating lighting up of the  button with the corresponding speed.
- 3 To end interval ventilation, press the  button.

Lighting


The lighting can be switched on and off independently of the ventilation.


Press the  button.

Setting the brightness

Press and hold the  button until the desired brightness is reached.

Saturation notification

After 30 hours of operation, the saturation display  of the grease filter blinks.

- At the latest now the metal mesh grease filter should be cleaned. For instructions on how to clean the metal mesh grease filter, please see the chapter about **Cleaning and maintenance**.
- While the saturation display is blinking, it can be reset with the  button.

Cleaning and maintenance

WARNING

Risk of burns

The appliance will become hot when in use, especially in the area surrounding the bulbs. Let cool before cleaning.

WARNING

Risk of electric shock

Penetrating damp can cause electric shock. Only clean appliance with a damp cloth. Prior to cleaning, pull the plug or flip the breaker in the fusebox.

WARNING

Risk of electrical shock

Moisture entering the appliance can cause an electrical shock. Don't use a high-pressure cleaner or steam cleaner.

WARNING

Risk of injury

Components inside the appliance may have sharp edges. Wear protective gloves.

Cleaning agents

To prevent various surfaces from becoming damaged due to incorrect cleaning agents, follow the specifications given in the table. Do not use

- cleaning agents that are harsh or scouring,
- cleaning agents with high alcohol content,
- hard scouring pads or sponges,
- high-pressure cleaners or steam cleaners.

Thoroughly rinse all new sponges before use.

Observe all instructions and warnings accompanying cleaning agents.

Area	Cleaning agents
Stainless steel	Warm soapy water: Clean with a dish rag and dry with a soft towel. Only clean stainless steel with the grain. Specific products for stainless steel care are available from customer service or from specialized retailers. Apply a thin layer of the care product with a soft cloth.
Varnished surfaces	Warm soapy water: Clean with a damp dish rag and dry with a soft towel. Do not use stainless steel cleaner.
Aluminum and plastic	Glass cleaner: Clean with a soft cloth.
Glass	Glass cleaner: Clean with a soft cloth. Do not use a glass scraper.
Controls	Warm soapy water: Clean with a damp dish rag and dry with a soft towel. Risk of damage to electronics due to permeating damp. Never clean controls with a wet cloth. Do not use stainless steel cleaner.

Cleaning the metal grease filter

WARNING

Risk of fire

Grease deposits in the grease filter can ignite. **Clean the grease filter at least every two months.**
Never operate the appliance without the grease filter.

Notes

- Do not use any aggressive, acidic or alkaline cleaning agents.
- When cleaning the metal grease filters, also clean the metal grease filter holder in the appliance with a moist cloth.
- You can clean the metal grease filters in a dishwasher or by hand.

In the dishwasher:

Note: Slight discoloration is possible when cleaning the grease filters in the dishwasher. This does not affect the metal grease filter's functioning.

- Do not clean extremely dirty metal grease filters with dishes.
- Loosely position the metal grease filter in the dishwasher. The metal grease filters must not be jammed in.

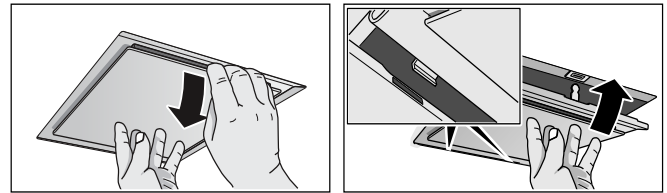
By hand:

Note: You can use a special grease solvent if soiling is stubborn. You can order it via the online shop.

- Soak the metal grease filters in hot soapy solution.
- Use a brush for cleaning and then rinse the filters well.
- Allow the metal grease filters to drip dry.

Uninstalling metal grease filter

- 1 Take metal mesh grease filter out of the holder.
- 2 Pull the metal grease filter downwards. While doing this, place your other hand under the metal grease filter.



Notes

- Grease can accumulate in the bottom of the metal mesh grease filter.
 - Do not hold metal mesh grease filter at an angle, otherwise grease will drip out.
- 3 Clean the metal mesh grease filter.

Installing metal grease filter

- 1 Insert metal grease filter. Simultaneously use your other hand to grasp under the metal grease filter.
- 2 Flip metal grease filter up and snap the latch into place.

Troubleshooting

You can often easily eliminate problems that may occur on your own. Before calling customer service, take into account the following information.

⚠ WARNING

Risk of electric shock

Improper repairs are dangerous. Only an after-sales technician trained by us may perform repairs and may replace damaged connecting leads. Remove the mains plug or deactivate the fuse in the fuse box if the appliance is defective. Call after-sales service.

Troubleshooting table

Disruption	Possible cause	Solution
Appliance is not working	Plug is not plugged in	Connect the appliance to the mains
	Power outage	Check whether other kitchen appliances are working
	Fuse defective	Check in the fuse box whether the fuse for the appliance is in working order

LED lights

Defective LED lights may be replaced by the manufacturer, his customer service or a qualified technician (electrician) only.

⚠ WARNING

Risk of injury

The light emitted by LED lights is very dazzling, and can damage the eyes (risk group 1). Do not look directly into the switched on LED lights for longer than 100 seconds.

Customer service

If your appliance needs repairs, our customer service is there for you. We work hard to help solve problems quickly and without unnecessary service calls, getting your appliance back up and running correctly in the least amount of time possible.

When you call, please indicate the product number (E-Nr.) and serial number (FD-Nr.) so that we can support you in a qualified manner. The identification plate listing the numbers can be found inside of the appliance (remove metal grease filter to find it).

To avoid having to search for a long time when you need it, you can enter your appliance data and the customer support telephone number here.

E-Nr.

FD-Nr.

Customer Service 

Please read the use and care instructions provided with your appliance. Failure to do so may result in an error in using the appliance. This could result in a service call that instead of fixing a mechanical issue is only needed for customer education. Such calls are not covered by the appliance warranty.

Please find the contact data of all countries in the enclosed customer service list.

To book an engineer visit and product advice

USA 877 442 4436
 toll-free

CANADA 800 828 9165

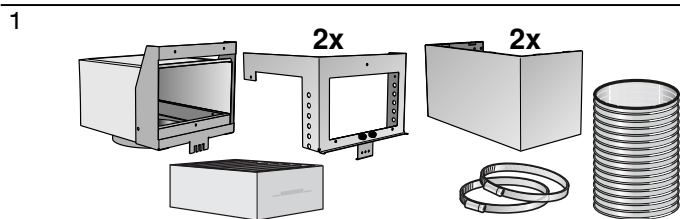
You can rely on the manufacturer's expertise. Rest assured that the repair will be handled by trained service technicians who have the original replacement parts for your appliance.

Accessories for circulating-air mode

(not included in the delivery)

Note: Follow the installation instructions supplied with the accessories.

Basic equipment



Throw-away filter



1 AA200816

2 AA200110



IMPORTANT SAFETY INSTRUCTIONS

READ AND SAVE THESE INSTRUCTIONS

INSTALLER: LEAVE THESE INSTRUCTIONS WITH THE APPLIANCE AFTER INSTALLATION IS COMPLETE.

IMPORTANT: SAVE THESE INSTRUCTIONS FOR THE LOCAL ELECTRICAL INSPECTOR'S USE.

WARNING

If the information in this manual is not followed exactly, fire or shock may result causing property damage or personal injury.

WARNING

Do not repair, replace or remove any part of the appliance unless specifically recommended in the manuals. Improper installation, service or maintenance can cause injury or property damage. Refer to this manual for guidance. All other servicing should be done by a qualified technician.

WARNING

WARNING – TO REDUCE THE RISK OF FIRE, ELECTRIC SHOCK, OR INJURY TO PERSONS, OBSERVE THE FOLLOWING

- Installation work and electrical wiring must be done by qualified person(s) in accordance with all applicable codes and standards, including fire-rated construction.
 - Sufficient air is needed for proper combustion and exhausting of gases through the flue (chimney) of fuel burning equipment to prevent back drafting. Follow the heating equipment manufacturer's guideline and safety standards such as those published by the National Fire Protection Association (NFPA), and the American Society for Heating, Refrigeration and Air Conditioning Engineers (ASHRAE), and the local code authorities.
 - When cutting or drilling into wall or ceiling, do not damage electrical wiring and other hidden utilities.
 - Ducted fans must always be vented to the outdoors.
-

WARNING

The applicable regulations of the energy supply companies and the regional construction regulations must be observed when installing the hood.

WARNING

Risk of fire

Grease deposits in the grease filter can catch fire. Never work with a naked flame near the appliance (e.g. flambéing). Install the unit near a heat-producing appliance for solid fuels (e.g. wood or coal) only if there is a closed, non-detachable cover. There must be no flying sparks.

WARNING

Risk of fire

Operating several gas burners at the same time gives rise to a great deal of heat. The ventilation appliance may become damaged or catch fire. The ventilation appliance must only be combined with gas burners that do not exceed the maximum total output of 61,000 Btu/hr (18 kW). If 41,000 Btu/hr (12 kW) is exceeded, the local regulations concerning room ventilation, room size, and combination with ventilation devices in exhaust and recirculating operation must be heeded.

WARNING

To reduce risk of fire and to properly exhaust air, be sure to duct air outside. Do not vent exhaust air into spaces within walls, ceilings, attics, crawl spaces or garages.

WARNING

To reduce the risk of fire, use only metal ductwork.



IMPORTANT SAFETY INSTRUCTIONS

READ AND SAVE THESE INSTRUCTIONS

WARNING

When the hood is operated in exhaust-air mode simultaneously with a different burner which also makes use of the same chimney (such as gas, oil or coal-fired heaters, continuous-flow heaters, hot-water boilers) care must be taken to ensure that there is an adequate supply of fresh air which will be needed by the burner for combustion.

Safe operation is possible provided that the under pressure in the room where the burner is installed does not exceed 4 Pa (0.04 mbar).

This can be achieved if combustion air can flow through non-lockable openings, e.g. in doors, windows and via the air-intake/exhaust-air wall box or by other technical measures, such as reciprocal interlocking, etc.

WARNING

Avoid carbon monoxide poisoning – Provide adequate air intake so combustion gases are not drawn back into the room.

An air-intake/exhaust-air wall box by itself is no guarantee that the limiting value will not be exceeded.

Note: When assessing the overall requirement, the combined ventilation system for the entire household must be taken into consideration. This rule does not apply to the use of cooking appliances, such as cooktops and ovens.

CAUTION

For general ventilating use only. Do not use to exhaust hazardous or explosive materials and vapors.

Risk of damage from condensation back flow. Install exhaust vent at a slight downward slope away from the appliance (1° slope).

Appliance Handling Safety

Unit is heavy and requires at least two people or proper equipment to move.

Hidden surfaces may have sharp edges. Use caution when reaching behind or under appliance.

WARNING

Risk of injury

The appliance may fall from the wall if it is not attached properly. All fastening components must be fixed firmly and securely in place.

Safety Codes and Standards

This appliance complies with the latest version of one or more of the following standards:

- UL 507 - Electric Fans
- CAN/CSA C22.2 No. 113 - Fans and Ventilators

Electric Safety

WARNING

GROUNDING INSTRUCTIONS

This appliance must be grounded. In the event of an electrical short circuit, grounding reduces the risk of electric shock by providing an escape wire for the electric current.

This appliance is equipped with a cord having a grounding wire with a grounding plug. The plug must be plugged into an outlet that is properly installed and grounded.

WARNING

Improper grounding can result in a risk of electric shock. Consult a qualified electrician if the grounding instructions are not completely understood, or if doubt exists as to whether the appliance is properly grounded. Do not use an extension cord. If the power supply cord is too short, have a qualified electrician install an outlet near the appliance.



IMPORTANT SAFETY INSTRUCTIONS

READ AND SAVE THESE INSTRUCTIONS

WARNING

Before you plug in an electrical cord or turn on power supply, make sure all controls are in the OFF position.

For appliances equipped with a cord and plug, do not cut or remove the ground prong. It must be plugged into a matching grounding type receptacle to avoid electrical shock. If there is any doubt as to whether the wall receptacle is properly grounded, the customer should have it checked by a qualified electrician.

If required by the National Electrical Code (or Canadian Electrical Code), this appliance must be installed on a separate branch circuit.

WARNING

To reduce the risk of fire or electric shock, do not use this fan with any solid-statespeed control device.

Installer – show the owner the location of the circuit breaker or fuse. Mark it for easy reference.

Before installing, turn power OFF at the service panel. Lock service panel to prevent power from being turned ON accidentally.

WARNING

TO REDUCE THE RISK OF FIRE, ELECTRIC SHOCK, OR INJURY TO PERSONS, OBSERVE THE FOLLOWING:

- Use this unit only in the manner intended by the manufacturer. If you have questions, contact the manufacturer.
- Before servicing or cleaning unit, switch power off at service panel and lock the service disconnecting means to prevent power from being switched on accidentally.
When the service disconnecting means cannot be locked, securely fasten a prominent warning device, such as a tag, to the service panel.

Be sure your appliance is properly installed and grounded by a qualified technician. Installation, electrical connections and grounding must comply with all applicable codes.

WARNING

Risk of electric shock

Parts inside the appliance can have sharp edges. The connection cable can be damaged. Do not bend or pinch connection cables during installation.

Related Equipment Safety

Remove all tape and packaging before using the appliance. Destroy the packaging after unpacking the appliance. Never allow children to play with packaging material.

The appliance is only guaranteed safe to use if installed by a specialist in accordance with these installation instructions. The installer is liable for any damage resulting from incorrect installation.

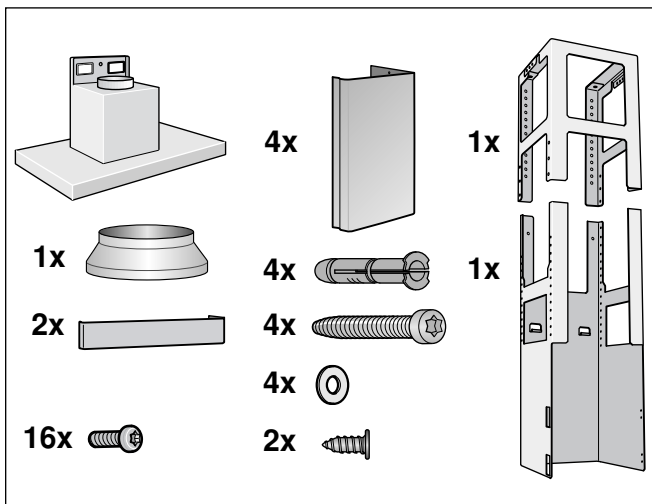
Never modify or alter the construction of the appliance. For example, do not remove leveling legs, panels, wire covers or anti-tip brackets/screws.

Before You Begin

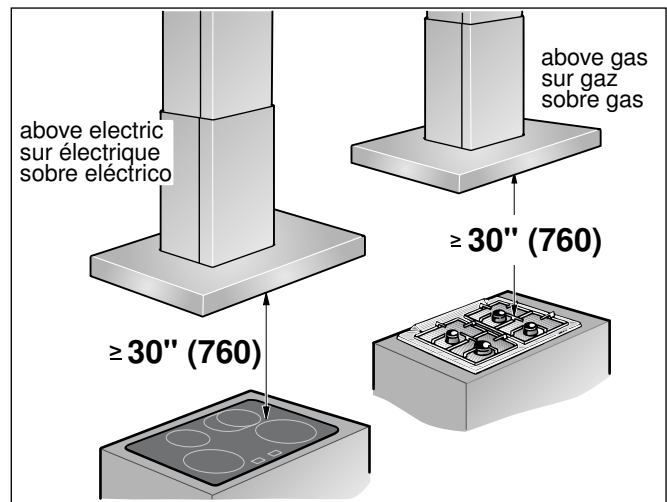
Tools and Parts Needed

- Measuring tape
- Pencil
- Phillips screwdriver (Posidrive) #2
- Drill with the following bits: 5/16" (8 mm)
- Spirit-level
- Aluminum tape (DO NOT use insulating tape)
- Exhaust channel (configuration depends on the installation situation)
- Additional sheet metal screws (if necessary for installation of the exhaust air duct)
- Saw

Parts Included



Appliance dimensions



- This appliance is fitted to the kitchen ceiling or a stable suspended ceiling.
- Follow the enclosed installation instructions for additional special accessories (e.g. for circulating-air mode).
- The surfaces of the appliance are sensitive. Avoid damaging them during installation.

Safety clearances

⚠ WARNING

Risk of fire

Grease deposits in the grease filter may catch fire. The specified safety distances must be observed in order to prevent an accumulation of heat. Observe the specifications for your cooking appliance. If gas and electric cooktops are operated together, the largest specified distance applies.

Only one side of the appliance may be installed directly next to a high-sided unit or a wall. The distance between the appliance and wall or high-sided unit must be at least 2" (50 mm).

The minimum distance between the supporting surface for the cooking equipment on the hob and the lowest part of the range hood must be not less than 30" (760 mm) from electric cookers and 30" (760 mm) from gas or mixed cookers.

If the instructions for installation for the gas hob specify a greater distance, this must be adhered to.

General notes

Exhaust air mode

⚠ WARNING

Risk of death

Risk of poisoning from flue gases that are drawn back in. The exhaust air must not be conveyed into a functioning smoke or exhaust gas flue or into a shaft that is used to ventilate installation rooms that contain heating appliances. If the exhaust air is to be conveyed into a non-functioning smoke or exhaust gas flue, you must obtain the consent of the heating engineer responsible.

If the exhaust air is conveyed through the outer wall, a telescopic wall box should be used.

Ventilation line

Note: The manufacturer does not assume any warranty for complaints attributable to the pipe section.

- The device achieves its optimum performance by means of a short, straight exhaust air pipe and as large a pipe diameter as possible.
- The optimum extraction performance is not achieved and fan noise is increased if exhaust air pipes are long and rough and if there is a large number of pipe bends or diameters less than 5 ¹⁵/₁₆" (150 mm).
- The pipes or hoses for laying the exhaust air line must consist of non-combustible material.

Round pipes

An inner diameter of 5 ¹⁵/₁₆" (150 mm), but at least 4 ³/₄" (120 mm), is recommended.

Flat ducts

The inner cross-section must correspond to the diameter of the round pipes.

Ø 5 ¹⁵/₁₆" (150 mm) approx. 27 ¹/₂ sq in (177 cm²)

Ø 4 ³/₄" (120 mm) approx. 17 ¹/₂ sq in (113 cm²)

- Flat ducts should have no sharp deflections.
- Use sealing strip for deviating pipe diameters.

Preparing the ceiling

- The ceiling must be flat, horizontal and adequately load-bearing.
- The depth of the bore holes must be the same length as the screws. The wall plugs must have a secure grip.
- The enclosed screws and wall plugs are suitable for solid brickwork. Suitable fasteners must be used for other structures (e.g. plasterboard, porous concrete, porcelain bricks).
- The max. weight of the extractor hood is **50 kg**.

Electrical connection

⚠ WARNING

Risk of electric shock

Parts inside the appliance can have sharp edges. The connection cable can be damaged. Do not bend or pinch connection cables during installation.

The necessary connection information is located on the identification plate in the appliance interior, remove metal grease filter to access it.

Length of the connecting cable: Approx. 1.30 m

This appliance meets EC radio interference suppression requirements.

⚠ WARNING

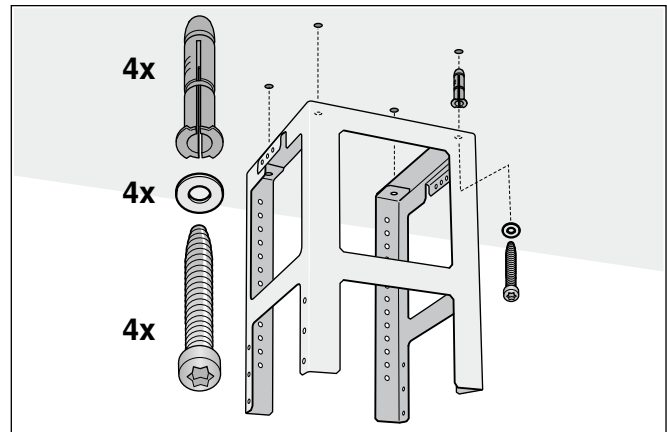
Risk of electric shock

It must always be possible to disconnect the appliance from the electricity supply. The appliance must only be connected to a protective contact socket that has been installed correctly. If the plug is no longer accessible following installation of the appliance, or a fixed connection is required, an all-pole isolating switch must be present on the installation side with a contact gap of at least 3 mm. The fixed connection may only be installed by an electrician.

Installation

Fitting the upper support frame

- 1 Before installation, specify the total height of the support frame and mark the screw holes.
Note: The height of the support frame can be adjusted in $\frac{3}{4}$ " (20 mm) steps.
- 2 On the ceiling mark the center point of the appliance.
- 3 Using the enclosed template, mark the positions for the screws on the ceiling.



- 4 Drill four $\frac{5}{16}$ " (8 mm) \varnothing holes to a depth of $3 \frac{5}{32}$ " (80 mm) for the attachments and press in the wall plugs flush with the wall.
- 5 Attach the upper part of the support frame to the ceiling with 4 screws.

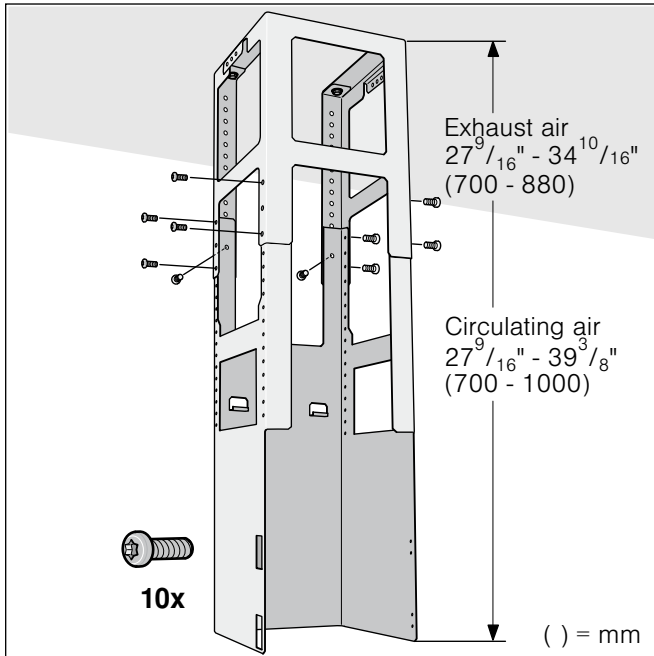
Note: Ensure that the support frame is in the correct position. The middle bracket defines the preferred side and must be facing the control element for the cooktop.

Fitting the lower support frame

Attach upper and lower parts of the support frame at the specified total height using 10 screws.

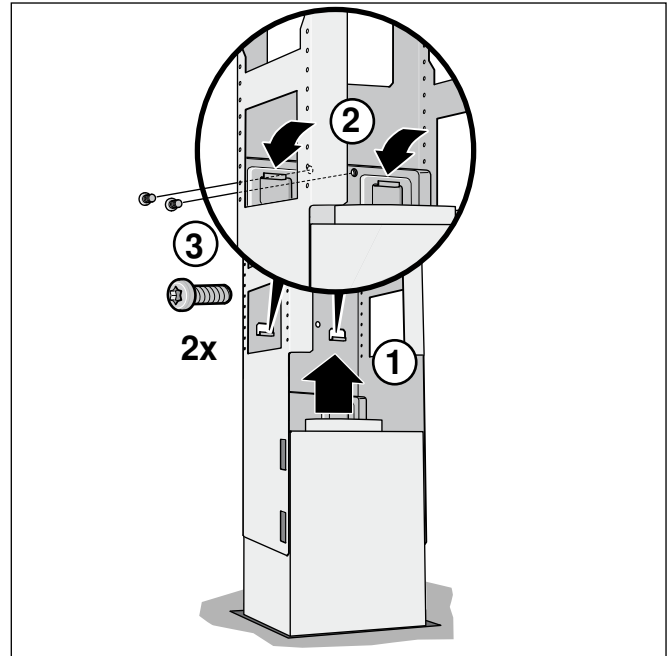
Notes

- Ensure that the lower support frame is in the correct position. The open side must be facing the control element of the cooktop.
- The support frame can be re-aligned by loosening the fastening screws.

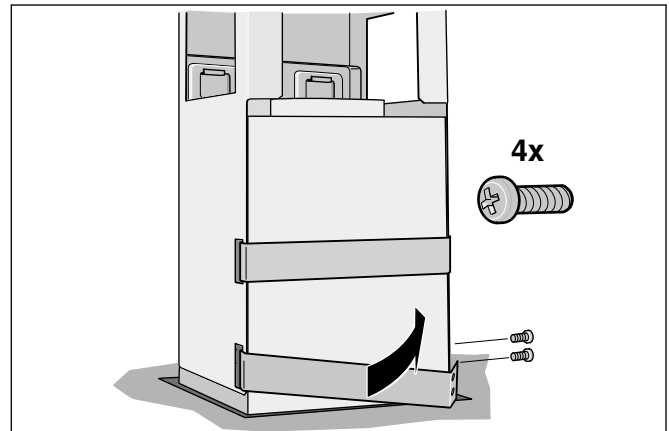


Installing the appliance

- 1 Hook the appliance from below into the support frame.
- Note:** Ensure that the mains cable is not trapped.
- 2 Attach the appliance to the support frame using 2 fastening screws.



- 3 Hook in retaining clip and screw tight.



Connecting the pipes

Note: If an aluminum pipe is used, smooth the connection area beforehand.

Exhaust-air pipe Ø 150 mm (recommended size)

Attach exhaust-air pipe directly to the air-pipe connector and seal.

Exhaust-air pipe Ø 120 mm

- 1 Attach reducing connector directly to the air-pipe connector.
- 2 Attach exhaust air pipe to the reducing connector.
- 3 Seal both joints appropriately.

Attaching flue duct

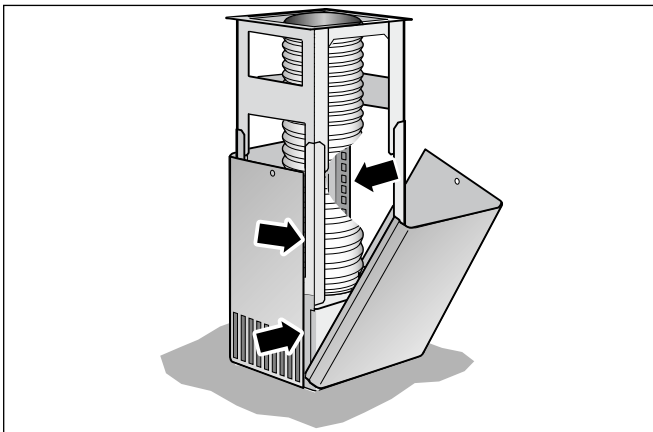
⚠ WARNING

Risk of injury

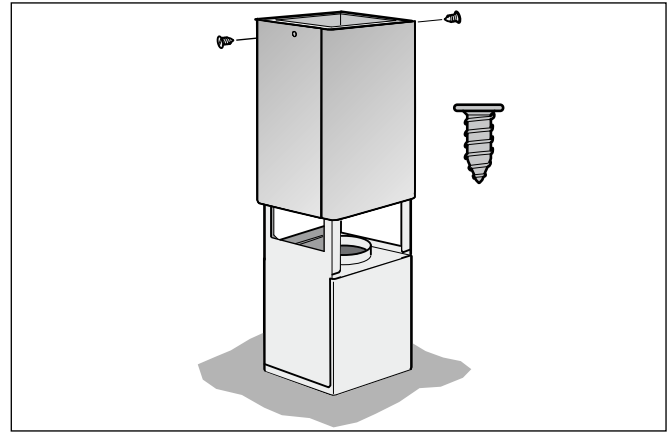
From sharp edges during installation. Always wear protective gloves while installing the appliance.

- 1 Separate the flue ducts. To do this, remove the adhesive tape.
- 2 Remove the protective foil from both sides.
- 3 Place both parts of the upper flue on the appliance and push together.

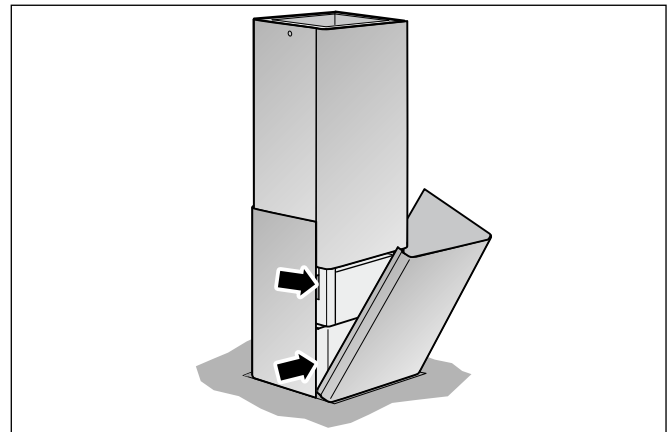
Note: The slots of the upper flue must point downwards.



- 4 Push up the upper flue part and secure with 2 screws.



- 5 Insert both lower parts of the flue and push together.



Removing the appliance

- 1 Loosen the flue duct.
- 2 Disconnect the appliance from the power supply.
- 3 Loosen the exhaust air lines.
- 4 Loosen screws for fastening the appliance.
- 5 Remove the appliance.

Table des Matières

Notice d'utilisation	22	Instructions d'installation	31
Définitions de Sécurité	22	CONSIGNES DE SÉCURITÉ IMPORTANTES	32
CONSIGNES DE SÉCURITÉ IMPORTANTES	23	Sécurité de manipulation de l'appareil	33
Instructions générales	23	Codes et normes de sécurité	34
Sécurité-incendie	23	Sécurité électrique	34
Prévention des brûlures	24	Sécurité apparentée concernant l'équipement	35
Sécurité des enfants	24	Avertissements de la Proposition 65 de l'État de la	
Consignes en matière de nettoyage	25	Californie	35
Sécurité à l'utilisation	25	Avant de commencer	35
Installation et entretien corrects	25	Outils et pièces nécessaires	35
Avertissements de la Proposition 65 de l'État de la		Pièces comprises	35
Californie	26	Cotes de l'appareil	36
Causes des dommages	26	Distances de sécurité	36
Protection de l'environnement	26	Instructions générales	36
Modes de fonctionnement	27	Mode évacuation	36
Mode évacuation	27	Conduit d'évacuation	36
Mode recirculation de l'air	27	Préparer le plafond	37
Utilisation	27	Branchement électrique	37
Utilisation de l'appareil	27	Installation	37
Régler le ventilateur	27	Monter le châssis-support supérieur	37
Vitesse intensive	28	Monter le châssis-support inférieur	38
Fonction temporisation	28	Monter l'appareil	38
Ventilation intermittente	28	Monter le capot de cheminée	39
Éclairage	28		
Indicateur de saturation	28		
Nettoyage et entretien	29		
Anomalies – que faire ?	30		
Service après-vente	31		
Accessoire du mode recirculation de l'air	31		

Vous trouverez des informations supplémentaires concernant les produits, accessoires, pièces de rechange et services sur Internet sous : www.gaggenau.com et la boutique en ligne : www.gaggenau-eshop.com

Définitions de Sécurité

AVERTISSEMENT

Le non-respect de cet avertissement peut entraîner la mort ou des blessures graves.

ATTENTION

Le non-respect de cet avertissement peut entraîner des blessures mineures ou modérées.

AVIS : Vous indique que des dommages à l'appareil ou aux biens peuvent survenir si vous ne respectez pas cet avertissement.

Remarque : Vous signale des informations importantes ou des conseils.



CONSIGNES DE SÉCURITÉ IMPORTANTES

LIRE ET CONSERVER CES INSTRUCTIONS

AVERTISSEMENT

Votre nouvel appareil a été conçu pour un fonctionnement sûr et fiable si vous en prenez bien soin. Lire attentivement toutes les consignes avant l'emploi. Ces précautions réduiront les risques de brûlures, de choc électrique, d'incendie et de lésions corporelles. Lors de l'utilisation d'un appareil électroménager, quelques précautions de sécurité élémentaires doivent être observées, y compris celles qui figurent aux pages suivantes.

Instructions générales

Contrôler l'appareil après l'avoir déballé. Si l'appareil a été endommagé durant le transport, ne pas le brancher.

Sécurité-incendie

Toujours avoir un détecteur de fumée en état de marche près de la cuisine.

AVERTISSEMENT

POUR RÉDUIRE LE RISQUE D'INCENDIE DE GRAISSE DE CUISINIÈRE:

- a) Ne laissez jamais la surface de cuisson sans surveillance à des températures élevées. Les débordements causent de la fumée et les résidus graisseux peuvent s'enflammer. Faites chauffer les huiles lentement à feu doux ou moyen.
- b) Faites toujours fonctionner la hotte lorsque vous cuisinez à feu vif.
- c) Nettoyez les ventilateurs régulièrement. Ne laissez pas la graisse s'accumuler sur le ventilateur ou sur le filtre.
- d) Utilisez des casseroles de taille appropriée. Utilisez toujours des récipients adaptés à la taille de la surface de cuisson.

Ne flambez jamais sous la hotte aspirante et ne travaillez jamais avec une flamme nue. Une hotte aspirante en marche aspire les flammes dans le filtre. Une hotte aspirante en marche aspire les flammes dans le filtre. Ne flambez jamais sous la hotte aspirante et ne travaillez jamais avec une flamme nue. Une hotte aspirante en marche aspire les flammes dans le filtre. Les dépôts de graisse sur les filtre risquent alors de s'enflammer!

ATTENTION

Appareil conçu exclusivement pour la ventilation générale. Ne pas utiliser pour évacuer des matières et vapeurs dangereuses ou explosives.

Ne pas mettre l'aérateur en marche si le cordon ou le connecteur d'alimentation sont endommagés. Mettre l'aérateur au rebut ou bien l'envoyer à un service après-vente agréé pour le contrôler et (ou) le réparer.

Ne pas faire passer le cordon d'alimentation sous un tapis. Ne pas recouvrir le cordon d'alimentation de petits tapis ou autres revêtements de sol de ce type. Ne pas faire passer le cordon d'alimentation sous des meubles ou des appareils. Poser le cordon d'alimentation hors des zones de passage et des endroits où il pourrait être heurté par des personnes.

Si des vêtements s'enflamment, rouler par terre immédiatement pour éteindre les flammes.

Étouffez les flammes d'un feu d'aliments autre qu'un feu de graisse à l'aide de bicarbonate de soude. Ne jamais utiliser d'eau sur les feux de cuisson.

AVERTISSEMENT

POUR RÉDUIRE LE RISQUE DE LÉSIONS CORPORELLES EN CAS D'UN FEU DE FRITURE SUR UNE CUISINIÈRE, OBSERVER CE QUI SUIT :

- ÉTOUFFER LES FLAMMES à l'aide d'un couvercle bien hermétique, d'une tôle à biscuits ou d'un plateau en métal, puis éteindre le brûleur. FAIRE ATTENTION À NE PAS SE BRÛLER. Si les flammes ne s'éteignent pas immédiatement, ÉVACUER LES LIEUX ET FAIRE APPEL AU SERVICE D'INCENDIE.
 - NE JAMAIS SOULEVER UNE POÊLE EN FLAMMES – Vous pourriez vous brûler.
 - NE PAS UTILISER D'EAU, y compris les chiffons ou serviettes mouillées - une violente explosion de vapeur pourrait se produire.
 - Utiliser UNIQUEMENT un extincteur si :
 - Vous savez que vous avez un extincteur de classe ABC et comment l'utiliser.
 - Le feu est petit et circonscrit à la zone où il a débuté.
 - Le service d'incendie est appelé.
 - Si l'on peut combattre le feu en ayant le dos vers une sortie.
-

Veillez à avoir à portée de main un extincteur d'incendie en bon état de marche, placé visiblement près de l'appareil et facile d'accès.

Dans la mesure du possible, ne pas faire fonctionner le système de ventilation lorsqu'un feu se déclenche sur une table de cuisson. Toutefois, ne pas passer la main à travers le feu pour mettre le système de ventilation hors tension.



CONSIGNES DE SÉCURITÉ IMPORTANTES

LIRE ET CONSERVER CES INSTRUCTIONS

AVERTISSEMENT

Risque d'incendie

Les dépôts se trouvant dans le filtre à graisse peuvent s'enflammer.

Nettoyer le filtre à graisse au moins tous les 2 mois .
Ne jamais faire fonctionner l'appareil sans son filtre à graisse.

AVERTISSEMENT

Risque d'incendie

Les dépôts se trouvant dans le filtre à graisse peuvent s'enflammer. Ne jamais cuisiner à proximité de l'appareil avec une flamme ouverte (par exemple pour faire flamber). Installer l'appareil près d'un foyer pour combustibles solides (bois ou charbon par exemple) seulement s'il y a un couvercle fermé et non amovible. Il ne faut pas qu'il se produise de projection d'étincelles.

AVERTISSEMENT

Risque d'incendie

Les brûleurs gaz dégagent une forte chaleur lorsqu'aucun récipient n'est posé dessus. Ils peuvent alors endommager les appareils de ventilation. Utiliser les brûleurs gaz uniquement lorsqu'un récipient est placé dessus.

AVERTISSEMENT

Risque d'incendie

Lors du fonctionnement simultané de plusieurs foyers gaz il y a une forte production de chaleur. Un appareil de ventilation monté au-dessus peut être endommagé ou prendre feu. Ne faites jamais fonctionner en même temps deux foyers gaz à feu vif pendant plus de 15 minutes. Un brûleur grande puissance de plus de 17,000 Btu/hr (5 kW) (wok) chauffe autant que deux brûleurs gaz.

AVERTISSEMENT

Risque d'incendie

Le fonctionnement simultané de plusieurs feux gaz engendre une forte production de chaleur. Le cas échéant, l'appareil de ventilation peut être endommagé ou s'enflammer. L'appareil de ventilation doit uniquement être combiné avec des feux gaz dont la puissance totale maximale ne dépasse pas 61,000 Btu/hr (18 kW). Si la puissance maximale dépasse 41,000 Btu/hr (12 kW), les prescriptions locales en matière de ventilation, de volume de la pièce et de combinaison avec des appareils de ventilation en mode aspiration ou ventilation doivent être observées.

AVERTISSEMENT

Risque d'incendie

L'huile et la graisse très chaudes s'enflamment rapidement. Ne jamais laisser de l'huile et de la graisse chaudes sans surveillance. Ne jamais éteindre un incendie avec de l'eau. Éteindre le foyer. Étouffer les flammes avec précaution au moyen d'un couvercle, d'une couverture antifeu ou équivalent.

Prévention des brûlures

AVERTISSEMENT

Risque de brûlure

Les parties accessibles chauffent lorsque la table est allumée. Ne touchez jamais aux parties très chaudes. Tenez les enfants à distance.

Sécurité des enfants

Lorsque les enfants sont assez âgés pour utiliser l'appareil, il incombe aux parents ou tuteurs légaux de veiller à ce qu'ils soient formés aux pratiques sécuritaires par des personnes qualifiées.

Enlever le ruban adhésif et l'emballage avant d'utiliser l'appareil. Détruire l'emballage après avoir déballé l'appareil. Ne jamais laisser les enfants jouer avec les matériaux de conditionnement.

Ne permettre à personne de grimper, rester debout, s'appuyer, s'asseoir ou se pencher sur toute partie d'un appareil, notamment une porte, un tiroir-réchaud ou un tiroir de rangement. Ceci peut endommager l'appareil qui risque de basculer et causer des blessures sérieuses.



CONSIGNES DE SÉCURITÉ IMPORTANTES

LIRE ET CONSERVER CES INSTRUCTIONS

Ne pas permettre aux enfants d'utiliser cet appareil sauf sous la surveillance attentive d'un adulte. Ne pas laisser les enfants et les animaux seuls ou sans surveillance lorsque l'appareil est en service. Ne jamais les laisser jouer aux alentours de l'appareil, que ce dernier soit en service ou non.

ATTENTION

Les articles d'intérêt pour les enfants ne doivent pas être rangés dans un appareil électroménager, dans les armoires au-dessus de l'appareil ou sur le dossier. Les enfants peuvent grimper sur l'appareil pour atteindre ces objets et se blesser sérieusement.

Consignes en matière de nettoyage

AVERTISSEMENT

S'assurer que l'appareil a complètement refroidi (y compris les filtres à graisse et les ampoules, le cas échéant) et que la graisse s'est solidifiée avant de tenter de nettoyer une quelconque partie de l'appareil.

Ne pas utiliser de nettoyeur à vapeur pour nettoyer l'appareil.

Sécurité à l'utilisation

AVERTISSEMENT

Ne pas réparer ni remplacer toute pièce de l'appareil à moins que cela ne soit expressément recommandé dans ce manuel. Ne jamais modifier ni altérer la configuration de l'appareil. Toute installation, réparation ou maintenance inadéquate peut entraîner des blessures ou des dommages matériels. Se reporter à ce manuel pour obtenir des conseils sur la façon de procéder. Toute réparation doit être effectuée par un centre de réparation autorisé par l'usine.

AVERTISSEMENT

Risque de blessure

Des objets posés sur l'appareil risquent de tomber. Ne pas déposer d'objets sur l'appareil.

AVERTISSEMENT

Risque de blessure

La lumière des lampes DEL est très éblouissante et peut causer des lésions aux yeux (groupe de risque 1). Ne pas regarder plus de 100 secondes directement les lampes DEL allumées.

Installation et entretien corrects

Demandez à l'installateur de vous montrer où se trouve le disjoncteur ou le fusible. Identifier sa position pour pouvoir le retrouver facilement.

Cet appareil doit être adéquatement installé et mis à la terre par un technicien agréé. Branchez l'appareil uniquement dans une prise correctement reliée à la terre. Pour plus de détails, reportez-vous à la notice d'installation.

Cet appareil est destiné uniquement à une utilisation domestique normale. Il n'est pas homologué pour un usage en extérieur. Voyez la garantie. Si vous avez des questions, communiquez avec le fabricant.

Ne pas entreposer ni utiliser de produits chimiques corrosifs, vapeurs, substances inflammables ou produits non alimentaires à l'intérieur ou à proximité de l'appareil. Il a été spécialement conçu pour être utilisé pendant le chauffage et la cuisson des aliments. L'emploi de produits chimiques corrosifs pour chauffer ou nettoyer l'appareil endommagera ce dernier et peut provoquer des blessures.

Ne pas se servir de cet appareil s'il ne fonctionne pas correctement ou s'il est endommagé. Communiquer avec un réparateur autorisé.

Ne pas réparer ni remplacer toute pièce de l'appareil à moins que cela ne soit spécifiquement recommandé par ce manuel. Toute réparation doit être effectuée par un centre de réparation autorisé par l'usine.

ATTENTION

La graisse restant sur les filtres peut se fondre à nouveau et se déplacer à l'intérieur de l'évent.

ATTENTION

Couper le courant au niveau du disjoncteur avant d'enlever une ampoule grillée. Ne pas toucher les ampoules immédiatement après les avoir utilisées. Elles restent chaudes pendant quelques minutes.

AVERTISSEMENT

S'assurer que l'appareil et les ampoules ont refroidi et que le courant qui alimente l'appareil a été coupé avant de changer une ou plusieurs ampoules. Le non respect de cette instruction peut entraîner un choc électrique ou des brûlures. Les lentilles (le cas échéant) doivent être mises en place lors de l'utilisation de l'appareil. Les lentilles (le cas échéant) permettent d'éviter que les ampoules ne se brisent. Les lentilles (le cas échéant) sont en verre. Manipuler avec précaution pour éviter les cassures. Le verre brisé peut être une cause de blessures.

Certaines surfaces peuvent avoir des bords tranchants. Faire attention en étendant le bras derrière l'appareil ou en dessous.

AVERTISSEMENT

Lorsque la hotte aspirante est utilisée en mode d'évacuation d'air simultanément avec un brûleur différent utilisant également la même cheminée, (tels des appareils de chauffage au gaz, à l'huile ou au charbon, des chauffe-eau instantanés ou des chaudières à eau chaude), veillez à ce que l'apport d'air frais soit suffisant pour assurer la combustion adéquate du brûleur.

Un fonctionnement sans risque est possible si la sous-pression dans la pièce où le brûleur est installé ne dépasse pas 4 Pa (0,04 mbar).

On peut y parvenir en acheminant l'air requis pour la combustion à travers des ouvertures non verrouillables, par exemple dans les portes et fenêtres, et en association avec des boîtiers muraux d'admission/d'évacuation d'air fixées au mur ou grâce à d'autres mesures techniques telles qu'un verrouillage réciproque, etc.

AVERTISSEMENT

Évitez l'intoxication au monoxyde de carbone. – Prévoyez une admission d'air adéquate pour empêcher l'aspiration des gaz de combustion dans la pièce.

Un boîtier mural air d'admission/air d'échappement ne peut garantir que la valeur limite ne sera pas dépassée.

Remarque : Lorsque vous évaluez les exigences globales, vous devez tenir compte du système combiné d'aération de la maison au complet. Cette règle ne s'applique pas aux appareils de cuisson, comme les surfaces de cuisson et les fours.

Avertissements de la Proposition 65 de l'État de la Californie

AVERTISSEMENT

Ce produit contient des produits chimiques connus de l'État de la Californie pour causer le cancer, des anomalies congénitales ou d'autres problèmes de reproduction.

Causes des dommages

AVIS:

- Risque de détérioration par la corrosion. Toujours allumer l'appareil pendant la cuisson afin d'éviter la formation de condensation. Cette dernière peut provoquer de la corrosion.
- Risque de détérioration par pénétration d'humidité dans l'électronique. Ne jamais nettoyer les commandes avec un chiffon humide.
- Détérioration de la surface par un nettoyage inapproprié. Nettoyer les surfaces en inox seulement dans le sens du métal. Ne pas utiliser de nettoyant à inox pour les organes de commande.
- Détérioration des surfaces par les produits de nettoyage agressifs ou abrasifs. Ne jamais utiliser de produits de nettoyage agressifs ou abrasifs.
- Risque d'endommagement par le reflux de condensat. Installer le canal d'évacuation d'air légèrement incliné vers le bas à partir de l'appareil (1° de pente).

Protection de l'environnement

Déballez l'appareil et jetez l'emballage dans le respect de l'environnement.

Modes de fonctionnement

Vous pouvez utiliser cet appareil en mode évacuation ou en mode recyclage.

Mode évacuation



L'air aspiré est débarrassé des impuretés par les filtres à graisse, transite par un conduit puis gagne l'extérieur.

Remarque : Il ne faut pas rejeter l'air usé dans une cheminée d'évacuation en service, ni dans un conduit servant à la ventilation de pièces où sont installés des foyers.

- Pour rejeter l'air dans un conduit de fumées qui n'est pas en service, il faut demander l'accord du maître ramoneur compétent.
- Si l'air est évacué à travers le mur extérieur de l'habitation, il faut utiliser un caisson mural télescopique.

Mode recirculation de l'air



L'air aspiré se nettoie en traversant les filtres à graisse et un filtre au charbon actif, puis il revient dans la cuisine.

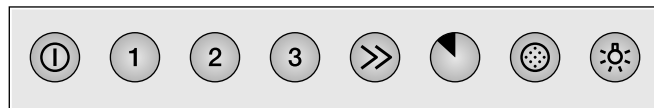
Remarque : Pour filtrer les odeurs dans l'air recyclé, vous devrez incorporer un filtre au charbon actif. Pour connaître les différentes possibilités d'utiliser l'appareil en mode recirculation de l'air, consultez les prospectus ou votre revendeur spécialisé. Vous pourrez vous procurer les accessoires dans un commerce spécialisé, auprès du service après-vente ou dans la boutique en ligne. Vous trouverez les numéros de référence des accessoires à la fin de la notice d'utilisation.

Utilisation

Remarque : Allumer la hotte aspirante dès le début de la cuisson ; une fois la cuisson achevée, laisser la hotte aspirante fonctionner encore quelques minutes. Ceci permet d'éliminer les vapeurs de cuisson plus efficacement.

Utilisation de l'appareil

Bandeau de commande



Explication

- | | |
|----|---|
| ⓘ | Mettre en marche / arrêter le ventilateur |
| 1 | Vitesse de ventilation 1 |
| 2 | Vitesse de ventilation 2 |
| 3 | Vitesse de ventilation 3 |
| >> | Vitesse intensive |
| ⌚ | Fonction de temporisation |
| ⊙ | Indicateur de saturation |
| 💡 | Lumière marche/arrêt |

Régler le ventilateur

Mise en marche

La hotte aspirante est dotée de trois vitesses de ventilation et d'une vitesse intensive.

- 1 Allumer l'appareil à l'aide de la touche ⓘ. Le ventilateur démarre à la vitesse de ventilation 2.
- 2 Les touches 1, 2, 3 ou >> permettent de régler la vitesse de ventilation en fonction des besoins.

Arrêt

Éteindre l'appareil à l'aide de la touche ⓘ.

Vitesse intensive

En cas de forte émission d'odeurs ou de vapeurs de cuisson, utiliser la vitesse de ventilation intensive.

- 1 Allumer l'appareil à l'aide de la touche ①.
Le ventilateur démarre à la vitesse de ventilation 2.
- 2 Activer la ventilation intensive à l'aide de la touche >> .
Remarque : Si vous avez appuyé sur cette touche alors que le ventilateur fonctionnait déjà à la vitesse 1, 2 ou 3, le système électronique revient automatiquement à la vitesse de ventilation précédente après 5 minutes.
- 3 Pour arrêter la ventilation intensive avant les 5 minutes, appuyer sur la touche ① ou sur une autre vitesse de ventilation.

Réglage de la durée

Vous pouvez régler la durée de fonctionnement de la ventilation intensive.

Durée	Appuyer simultanément sur les touches
3 minutes	>> et 1
5 minutes	>> et 2
10 minutes	>> et 3

Le réglage par défaut à la livraison est de 5 minutes.

Fonction temporisation

La fonction de temporisation est possible pour toutes les puissances d'aspiration.

- 1 Appuyer tout d'abord sur la touche de la puissance d'aspiration souhaitée : 1, 2, 3 ou >> , puis sur la touche ⌚.

Remarques

- La durée de temporisation est de dix minutes pour toutes les puissances d'aspiration. Une fois cette durée écoulée, la ventilation s'arrête automatiquement.
 - Si l'éclairage est allumé, il restera allumé.
- 2 Pour arrêter prématurément la fonction de temporisation, appuyer sur la touche ①.

Ventilation intermittente

En cas de ventilation intermittente, l'appareil se met en marche automatiquement pendant cinq minutes toutes les heures.

- 1 Allumer l'appareil à l'aide de la touche ① .
Le ventilateur démarre à la puissance 2. La ventilation intermittente peut être utilisée à la puissance 1, 2 ou 3.
- 2 Appuyer deux fois sur la touche temporisation ⌚ .
Remarque : Ce mode est indiqué par l'allumage alternant de la touche ⌚ avec la puissance correspondante.
- 3 Appuyer sur la touche ① pour arrêter la ventilation intermittente.

Éclairage

Vous pouvez allumer et éteindre l'éclairage indépendamment de la ventilation.

Appuyer sur la touche ☀.

Régler la luminosité

Maintenir la touche ☀ enfoncée jusqu'à atteindre la luminosité souhaitée.

Indicateur de saturation

L'indicateur de saturation Ⓢ du filtre à graisse clignote après 30 heures de fonctionnement.

- Le filtre à graisse doit être alors changé. Pour en savoir plus sur le nettoyage du filtre à graisse métallique, consulter le chapitre **Nettoyage et entretien**.
- La touche Ⓢ permet de réinitialiser l'indicateur de saturation lorsque celui-ci clignote.

Nettoyage et entretien

AVERTISSEMENT

Risque de brûlures

L'appareil devient chaud pendant le fonctionnement, en particulier au niveau des ampoules. Laisser refroidir l'appareil avant de le nettoyer.

AVERTISSEMENT

Risque d'électrocution

Une infiltration d'humidité risque de provoquer un choc électrique. Nettoyer l'appareil uniquement avec un chiffon humide. Avant le nettoyage, débrancher la fiche secteur ou disjoncter le fusible dans le tableau électrique.

AVERTISSEMENT

Risque de choc électrique

La pénétration d'humidité peut provoquer un choc électrique. Ne pas utiliser de nettoyeur à haute pression ou à vapeur.

AVERTISSEMENT

Risque de blessure

Les pièces se trouvant dans l'appareil peuvent présenter des arêtes vives. Porter des gants de protection.

Produits de nettoyage

Afin de ne pas endommager les différentes surfaces avec des produits de nettoyage inadaptés, respecter les indications du tableau. Ne pas utiliser

- de produits agressifs ou abrasifs,
- de produits de nettoyage fortement alcoolisés,
- de laine d'acier ni de tampons à recurer abrasifs,
- de nettoyeurs haute pression ni de nettoyeurs à vapeur.

Avant d'utiliser des lavettes éponges neuves, les rincer soigneusement.

Respecter les instructions et avertissements joints aux produits de nettoyage.

Zone	Produits de nettoyage
Inox	Eau chaude additionnée de liquide vaisselle : Nettoyer avec une lingette et sécher avec un chiffon doux. Nettoyer les surfaces en inox seulement dans le sens de polissage du métal. Des produits d'entretien spéciaux pour inox sont en vente au service après-vente ou dans les commerces spécialisés. Appliquer avec un chiffon doux une pellicule mince de produit d'entretien.
Surfaces laquées	Eau chaude additionnée de liquide vaisselle : Nettoyer avec une lingette humide et sécher avec un chiffon doux. Ne pas utiliser de nettoyeur pour inox.
Aluminium et plastique	Nettoyant à vitres : Nettoyer avec un chiffon doux.
Verre	Nettoyant à vitres : Nettoyer avec un chiffon doux. Ne pas utiliser de grattoir.
Éléments de commande	Eau chaude additionnée de liquide vaisselle : Nettoyer avec une lingette humide et sécher avec un chiffon doux. Risque de détérioration de l'électronique par pénétration d'humidité. Ne jamais nettoyer les éléments de commande avec un chiffon mouillé. Ne pas utiliser de nettoyeur pour inox.

Nettoyage du filtre à graisse métallique

AVERTISSEMENT

Risque d'incendie

Les dépôts se trouvant dans le filtre à graisse peuvent s'enflammer.

Nettoyer le filtre à graisse au moins tous les 2 mois .

Ne jamais faire fonctionner l'appareil sans son filtre à graisse.

Remarques

- N'utilisez pas de produits nettoyants agressifs, contenant de l'acide ou de la lessive.
- Au moment du nettoyage des filtres à graisse métalliques, nettoyez aussi la fixation des filtres avec un chiffon humide, à l'intérieur de l'appareil.
- Vous pouvez nettoyer les filtres à graisse métalliques au lave-vaisselle ou à la main .

Au lave-vaisselle :

Remarque : Le nettoyage au lave-vaisselle peut provoquer de légères décolorations. Celles-ci n'ont aucune influence sur le fonctionnement des filtres à graisse métalliques.

- Ne pas laver les filtres à graisse métalliques très encrassés avec de la vaisselle.
- Positionner les filtres à graisse métalliques pour qu'ils jouent librement dans le lave-vaisselle. Ne pas coincer les filtres à graisse métalliques.

À la main :

Remarque : Pour les salissures tenaces, vous pouvez utiliser un solvant à graisse spécial disponible en particulier sur la boutique en ligne.

- Faites tremper les filtres métalliques dans de l'eau de vaisselle chaude.
- Pour le nettoyage, utilisez une brosse, puis rincez bien les filtres.
- Laissez les filtres s'égoutter.

Anomalies – que faire ?

Dans de nombreux cas, vous pourrez remédier vous-même facilement aux anomalies. Avant de contacter le service après-vente, veuillez vérifier les points suivants :

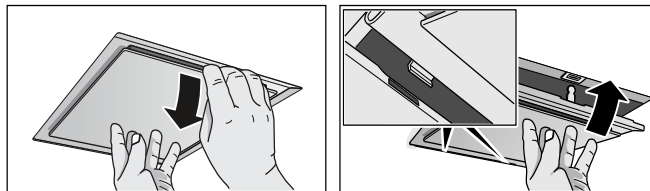
AVERTISSEMENT

Risque de choc électrique

Les réparations non conformes sont sources de danger. Les réparations et le remplacement des câbles endommagés doivent être confiés exclusivement à des techniciens de S.A.V. formés par nous. Si l'appareil est défectueux, débrancher la fiche d'alimentation secteur ou désactiver le coupe-circuit sur le tableau électrique. Appeler le S.A.V.

Retirer le filtre à graisse métallique

- 1 Sortez le filtre à graisse en métal de sa fixation.
- 2 Tirez le filtre à graisse en métal vers le bas. Avec l'autre main sous le filtre à graisse en métal, interceptez ce dernier.



Remarques

- La graisse peut s'accumuler dans le bas du filtre à graisse en métal.
 - Tenez le filtre à graisse en métal à l'horizontale pour éviter tout égouttement de graisse.
- 3 Nettoyer le filtre à graisse en métal.

Mettre en place le filtre à graisse métallique

- 1 Mettre en place le filtre à graisse en métal. Avec l'autre main sous le filtre à graisse en métal, intercepter ce dernier.
- 2 Basculer le filtre à graisse en métal vers le haut puis enclencher le verrouillage.

Tableau des anomalies

Anomalie	Cause possible	Solution
L'appareil ne fonctionne pas	La fiche d'alimentation n'est pas branchée	Brancher l'appareil au secteur
	Panne d'électricité	Vérifier si d'autres appareils de cuisine fonctionnent
	Fusible défectueux	Vérifier sur le tableau électrique si le fusible protégeant l'appareil est en bon état.

Lampes DEL

Le remplacement des DEL défectueuses doit être effectué exclusivement par le fabricant, le service après-vente ou un spécialiste agréé (installateur d'équipement électrique).

AVERTISSEMENT

Risque de blessure

La lumière des lampes DEL est très éblouissante et peut causer des lésions aux yeux (groupe de risque 1). Ne pas regarder plus de 100 secondes directement les lampes DEL allumées.

Service après-vente

Si votre appareil doit être réparé, notre service après-vente est à votre disposition. Nous trouvons toujours une solution adaptée, y compris pour éviter les visites inutiles de techniciens.

Lors de votre appel, indiquez le numéro du produit (n° E) et le numéro de série (n° FD) afin que nous puissions vous donner une réponse précise. Vous trouverez la plaque signalétique à l'intérieur de l'appareil (après avoir retiré le filtre à graisse en métal).

Pour ne pas avoir à chercher longtemps en cas de besoin, vous pouvez inscrire ici les références de l'appareil et le numéro de téléphone du service après-vente.

N° E

N° FD

Service après-vente ☎

N'oubliez pas qu'en cas de fausse manœuvre, la visite d'un technicien d'après-vente n'est pas gratuite, même pendant la garantie.

Vous trouverez les données de contact pour tous les pays dans l'annuaire ci-joint du service après-vente.

Demande de réparation et conseils en cas de dysfonctionnement

CA 800 828 9165

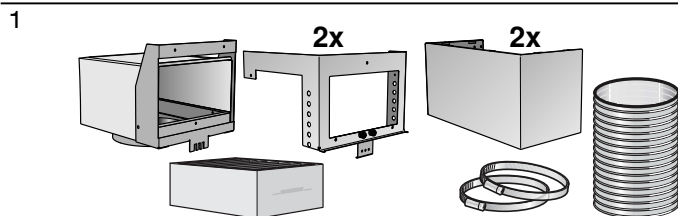
Faites confiance à la compétence du fabricant. Ainsi vous êtes assurés que la réparation sera effectuée par des techniciens formés qui possèdent les pièces de rechange d'origine pour votre appareil.

Accessoire du mode recirculation de l'air

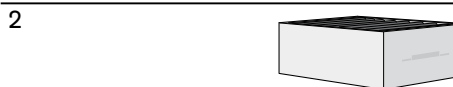
(non compris dans la livraison)

Remarque : Respectez les notices de montage accompagnant les accessoires.

Équipement initial



Filtre échangeable



1 AA200816

2 AA200110



CONSIGNES DE SÉCURITÉ IMPORTANTES

LIRE ET CONSERVER CES INSTRUCTIONS

INSTALLATEUR : LAISSEZ CES INSTRUCTIONS
AVEC L'APPAREIL APRÈS UNE FOIS
L'INSTALLATION TERMINÉE.

IMPORTANT : CONSERVER CES INSTRUCTIONS
POUR L'USAGE DE L'INSPECTEUR ÉLECTRIQUE
LOCAL.

AVERTISSEMENT

Si l'information de ce guide n'est pas suivie
exactement, il peut en résulter un incendie ou un choc
électrique causant des dommages à la propriété, des
blessures ou la mort.

AVERTISSEMENT

Ne pas réparer ni remplacer toute pièce de l'appareil
à moins que cela ne soit expressément recommandé
dans ce manuel. Ne jamais modifier ni altérer la
configuration de l'appareil. Toute installation,
réparation ou maintenance inadéquate peut entraîner
des blessures ou des dommages matériels. Se
reporter à ce manuel pour obtenir des conseils sur la
façon de procéder. Toute réparation doit être
effectuée par un centre de réparation autorisé par
l'usine.

AVERTISSEMENT

ATTENTION – AFIN DE RÉDUIRE LES RISQUES
D'INCENDIE, DE CHOC ÉLECTRIQUE OU DE
BLESSURES CORPORELLES, VEUILLEZ SUIVRE
LES INSTRUCTIONS SUIVANTES :

- Les travaux d'installation et de raccordement
électrique doivent être effectués par une
personne qualifiée, conformément aux codes et
standards de construction, y compris ceux
concernant le feu.
 - Assurez-vous que l'aération est suffisante pour
permettre la combustion et l'évacuation des gaz
par le conduit de cheminée d'un appareil à
combustible afin de prévenir le refoulement d'air.
Respectez les instructions du fabricant de
l'appareil de chauffage et les normes de sécurité,
comme celles publiées par la National Fire
Protection Association (NFPA) et par la American
Society for Heating, Refrigeration and Air
Conditioning Engineers (ASHRAE), ainsi que par
les autorités locales.
 - Lorsque vous faites une ouverture dans un mur ou
un plafond, veillez à ne pas endommager les fils
électriques ou les conduites qui y sont
dissimulés.
 - Les soufflantes canalisées doivent donner sur
l'extérieur.
-

AVERTISSEMENT

Pour l'installation de la hotte, vous devez respecter
tous les règlements des entreprises de distribution
d'électricité et de construction régionaux applicables.

AVERTISSEMENT

Risque d'incendie

Les dépôts se trouvant dans le filtre à graisse peuvent
s'enflammer. Ne jamais cuisiner à proximité de
l'appareil avec une flamme ouverte (par exemple pour
faire flamber). Installer l'appareil près d'un foyer pour
combustibles solides (bois ou charbon par exemple)
seulement s'il y a un couvercle fermé et non amovible.
Il ne faut pas qu'il se produise de projection
d'étincelles.



CONSIGNES DE SÉCURITÉ IMPORTANTES

LIRE ET CONSERVER CES INSTRUCTIONS

AVERTISSEMENT

Risque d'incendie

Le fonctionnement simultané de plusieurs feux gaz engendre une forte production de chaleur. Le cas échéant, l'appareil de ventilation peut être endommagé ou s'enflammer. L'appareil de ventilation doit uniquement être combiné avec des feux gaz dont la puissance totale maximale ne dépasse pas 61,000 Btu/hr (18 kW). Si la puissance maximale dépasse 41,000 Btu/hr (12 kW), les prescriptions locales en matière de ventilation, de volume de la pièce et de combinaison avec des appareils de ventilation en mode aspiration ou ventilation doivent être observées.

AVERTISSEMENT

Pour réduire le risque de feu et pour évacuer correctement l'air, évacuez l'air vers l'extérieur. N'évacuez pas l'air dans les murs, les plafonds, les greniers, les vides sanitaires ou les garages.

AVERTISSEMENT

Pour réduire les risques de feu, utiliser uniquement des gaines en métal.

AVERTISSEMENT

Lorsque la hotte aspirante est utilisée en mode d'évacuation d'air simultanément avec un brûleur différent utilisant également la même cheminée, (tels des appareils de chauffage au gaz, à l'huile ou au charbon, des chauffe-eau instantanés ou des chaudières à eau chaude), veillez à ce que l'apport d'air frais soit suffisant pour assurer la combustion adéquate du brûleur.

Un fonctionnement sans risque est possible si la sous-pression dans la pièce où le brûleur est installé ne dépasse pas 4 Pa (0,04 mbar).

On peut y parvenir en acheminant l'air requis pour la combustion à travers des ouvertures non verrouillables, par exemple dans les portes et fenêtres, et en association avec des boîtiers muraux d'admission/d'évacuation d'air fixées au mur ou grâce à d'autres mesures techniques telles qu'un verrouillage réciproque, etc.

AVERTISSEMENT

Évitez l'intoxication au monoxyde de carbone. – Prévoyez une admission d'air adéquate pour empêcher l'aspiration des gaz de combustion dans la pièce.

Un boîtier mural air d'admission/air d'échappement ne peut garantir que la valeur limite ne sera pas dépassée.

Remarque : Lorsque vous évaluez les exigences globales, vous devez tenir compte du système combiné d'aération de la maison au complet. Cette règle ne s'applique pas aux appareils de cuisson, comme les surfaces de cuisson et les fours.

ATTENTION

Appareil conçu exclusivement pour la ventilation générale. Ne pas utiliser pour évacuer des matières et vapeurs dangereuses ou explosives.

Risque d'endommagement par le reflux de condensat. Installer le canal d'évacuation d'air légèrement incliné vers le bas à partir de l'appareil (1° de pente).

Sécurité de manipulation de l'appareil

Cet appareil est lourd et il faut au moins deux personnes ou l'équipement approprié pour le déplacer.

Certaines surfaces peuvent avoir des bords tranchants. Faire attention en étendant le bras derrière l'appareil ou en dessous.

AVERTISSEMENT

Risque de blessure

Si l'appareil n'est pas correctement fixé au mur, il risque de tomber. Tous les éléments de fixation doivent être montés solidement et de façon sûre.



CONSIGNES DE SÉCURITÉ IMPORTANTES

LIRE ET CONSERVER CES INSTRUCTIONS

Codes et normes de sécurité

Cet appareil est conforme à la version la plus récente de l'une ou plusieurs des normes suivantes :

- UL 507 - Ventilateurs électrique (Electric Fans)
- CAN/CSA C22.2 No. 113 - Ventilateurs et soufflantes (Fans and Ventilators)

Sécurité électrique

AVERTISSEMENT

INSTRUCTIONS DE MISE À LA TERRE

Cet appareil doit être mis à la terre. En cas de court-circuit électrique, la mise à la terre réduira le risque de choc électrique en offrant au courant électrique un fil d'évacuation.

Cet appareil est muni d'un cordon électrique comportant un conducteur de terre et une prise de mise à la terre. La fiche doit être branchée dans une prise qui a été installée et mise à la terre de façon appropriée.

AVERTISSEMENT

Une mise à la terre inadéquate peut entraîner un risque de choc électrique. Consultez un électricien qualifié si vous ne comprenez pas parfaitement les instructions de mise à la terre ou si vous avez des doutes quant à la qualité de la mise à la terre. N'utilisez pas de rallonge. Si le cordon d'alimentation est trop court, demandez à un électricien d'installer une prise à proximité de l'appareil. .

AVERTISSEMENT

Avant de brancher un cordon électrique ou de mettre l'appareil sous tension, s'assurer que les commandes sont en position d'ARRÊT.

Pour les appareils dotés d'un cordon et d'une fiche, ne pas couper ou enlever la broche de mise à la terre. Le cordon doit être branché dans une prise de courant adaptée de type mise à la terre pour éviter tout risque d'électrocution. S'il y a un doute en ce qui concerne la mise à la terre de la prise murale, le client devra s'adresser à un électricien qualifié.

S'il y a lieu, conformément au Code national de l'électricité (ou au Code canadien de l'électricité), cet appareil doit être installé sur un circuit de dérivation séparé.

AVERTISSEMENT

Pour réduire le risque de feu ou de choc électrique, ne pas utiliser cet aérateur avec un variateur de vitesse à semi-conducteur.

Installateur – Indiquer au propriétaire l'emplacement du disjoncteur ou du fusible. Identifier sa position pour pouvoir le retrouver facilement.

Avant l'installation, mettre l'appareil hors service au panneau de service. Verrouiller le panneau d'entrée d'électricité pour éviter que le courant ne soit accidentellement rétabli.

AVERTISSEMENT

AFIN DE RÉDUIRE LES RISQUES D'INCENDIE, DE CHOC ÉLECTRIQUE OU DE BLESSURES CORPORELLES, VEUILLEZ SUIVRE LES INSTRUCTIONS SUIVANTES :

- Utilisez cet appareil seulement de manière conforme à l'usage prévu par le fabricant. Si vous avez des questions, contactez le fabricant.
- Avant le nettoyage ou l'entretien de l'appareil, mettez-le hors tension sur le tableau électrique et verrouillez les dispositifs de sectionnement afin d'empêcher toute remise sous tension accidentelle.
S'il est impossible de verrouiller les dispositifs de sectionnement, fixez de manière sûre au tableau électrique un dispositif d'alerte bien visible, par exemple une étiquette.

S'assurer que l'appareil est installé et mis à la terre par un technicien qualifié. L'installation, les connexions électriques et la mise à la terre doivent être conformes à tous les codes applicables.

AVERTISSEMENT

Risque de choc électrique

Les pièces se trouvant dans l'appareil peuvent présenter des arêtes vives. Le cordon de branchement peut être endommagé. Ne pas couder ni coincer le cordon de branchement pendant la pose.

Sécurité apparentée concernant l'équipement

Enlever le ruban adhésif et l'emballage avant d'utiliser l'appareil. Détruire l'emballage après avoir déballé l'appareil. Ne jamais laisser les enfants jouer avec les matériaux de conditionnement.

L'utilisation sécuritaire n'est garantie que si l'installation de la table de cuisson se fait par un spécialiste conformément à ces instructions. L'installateur est responsable de tout dommage résultant d'une installation incorrecte.

Ne jamais modifier ni altérer la configuration de l'appareil. Par exemple, ne pas retirer les pieds de nivellement, les panneaux, les couvercles de câblage ou les fixations/vis antibasculement.

Avertissements de la Proposition 65 de l'État de la Californie

AVERTISSEMENT

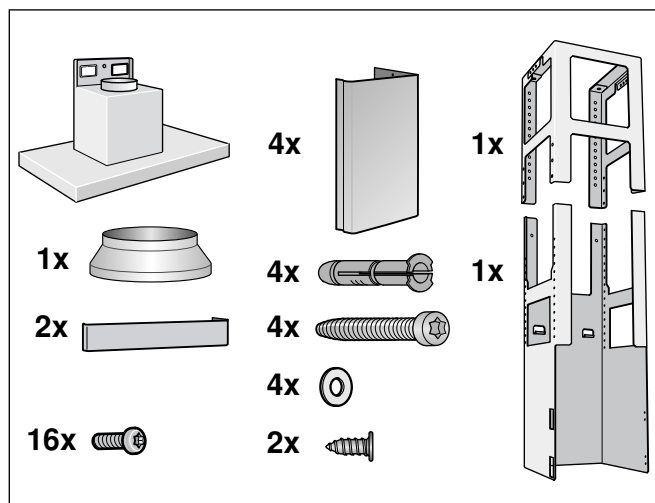
Ce produit contient des produits chimiques connus de l'État de la Californie pour causer le cancer, des anomalies congénitales ou d'autres problèmes de reproduction.

Avant de commencer

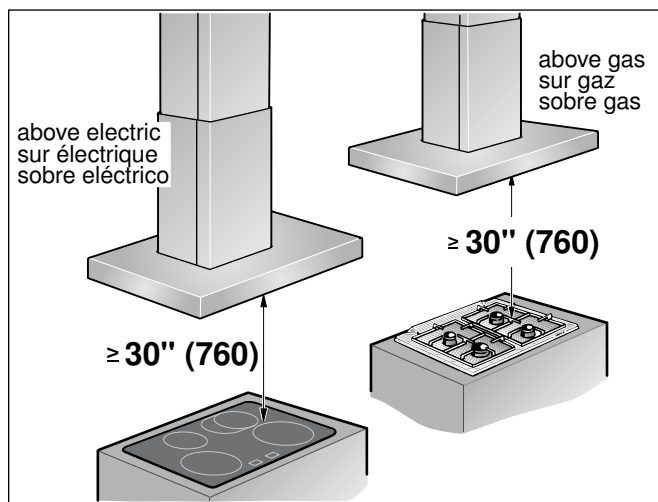
Outils et pièces nécessaires

- Décamètre à ruban
- Crayon
- Tournevis Phillips (Posidrive) #2
- Perceuse avec les forets suivants : 5/16" (8 mm)
- Niveau à bulle
- Ruban en aluminium (NE PAS utiliser un ruban isolant)
- Canal d'évacuation d'air (la configuration dépend de la situation de montage).
- Vis à tôle supplémentaires (si nécessaires pour l'installation du conduit d'évacuation)
- Scie

Pièces comprises



Cotes de l'appareil



- L'appareil s'installe contre le plafond de la cuisine ou contre un faux plafond solidement suspendu.
- Accessoires spéciaux (par ex. pour le mode Recirculation de l'air) : tenez compte de la notice d'installation les accompagnant.
- Les surfaces de l'appareil sont fragiles. Lors de l'installation, évitez de les endommager.

Distances de sécurité

⚠ AVERTISSEMENT

Risque d'incendie

Les dépôts de graisse dans le filtre à graisse peuvent s'enflammer. Les distances de sécurité indiquées doivent être respectées, afin d'éviter une accumulation de chaleur. Veuillez respecter les indications relatives à votre appareil de cuisson. Si votre table de cuisson combine des foyers gaz et électrique, l'écart maximal s'applique.

L'appareil ne peut jouxter que sur un côté un meuble haut ou une paroi. La distance vers la paroi ou le meuble haut doit être d'au moins 2" (50 mm).

La distance entre la surface de rangement sur la table de cuisson et le dessous de la hotte ne doit pas être inférieure à 760 mm (30") pour les tables de cuisson électriques et à 760 mm (30") pour les cuisinières à gaz ou combinées.

Si les instructions d'installation de l'appareil de cuisson au gaz spécifient une plus grande distance, celle-ci doit être prise en compte.

Instructions générales

Mode évacuation

⚠ AVERTISSEMENT

Danger de mort

Il y a risque d'intoxication par réaspiration des gaz de combustion. L'air sortant ne doit pénétrer ni dans une cheminée en service destinée à évacuer la fumée ou des gaz brûlés, ni dans une gaine servant à aérer les locaux où sont installés des foyers à combustion. Si l'air sortant circule par une cheminée non en service destinée à évacuer la fumée ou des gaz brûlés, il faudra consulter un ramoneur compétent dans votre quartier.

Si l'air sortant traverse la paroi extérieure, il faudrait utiliser un caisson télescopique mural.

Conduit d'évacuation

Remarque : Le fabricant de l'appareil n'assume aucune garantie pour les problèmes dus à la tuyauterie.

- L'appareil atteint sa puissance maximale si le tuyau d'évacuation est court et droit et a un diamètre le plus grand possible.
- L'emploi de tuyaux d'évacuation longs et à surface rugueuse, comportant de nombreux coudes ou ayant un diamètre inférieur à 150 mm (5 ¹⁵/₁₆"), empêche l'appareil d'atteindre sa puissance d'aspiration maximale et le bruit de fonctionnement est plus fort.
- Les tuyaux rigides et souples utilisés pour le conduit d'évacuation doivent être fabriqués dans un matériau non inflammable.

Tuyaux ronds

Un diamètre intérieur de 150 mm (5 ¹⁵/₁₆") est préconisé, avec un minimum de 120 mm (4 ³/₄").

Conduits plats

La section intérieure doit être conforme au diamètre des tuyaux ronds.

Ø 150 mm (5 ¹⁵/₁₆"), environ 177 cm² (27 ½ sq in)

Ø 120 mm (4 ³/₄"), environ 113 cm² (17 ½ sq in)

- Les conduits plats ne doivent pas présenter de coudes trop serrés.
- Si les tuyaux utilisés n'ont pas tous le même diamètre, utiliser des bandes d'étanchéité.

Préparer le plafond

- Le plafond doit être plat, horizontal et offrir une portance suffisante.
- La profondeur des trous percés doit être adaptée à la longueur des vis. Les chevilles doivent offrir une retenue sûre.
- Les vis et chevilles fournies conviennent pour la maçonnerie massive. En présence d'autres matériaux de construction (par ex. Rigips, béton cellulaire, briques Poroton), il faut utiliser des moyens de fixation correspondants.
- La hotte aspirante pèse **50 kg max.**

Branchement électrique

⚠ AVERTISSEMENT

Risque de choc électrique

Les pièces se trouvant dans l'appareil peuvent présenter des arêtes vives. Le cordon de branchement peut être endommagé. Ne pas couder ni coincer le cordon de branchement pendant la pose.

Les données de raccordement nécessaires se trouvent sur la plaque signalétique dans le compartiment intérieur de l'appareil; pour y accéder, retirez le filtre à graisse en métal.

Longueur du câble de branchement : env. 1,30 m

Cet appareil est conforme aux dispositions CE régissant l'antiparasitage.

⚠ AVERTISSEMENT

Risque d'électrocution

À tout moment il doit être possible de séparer l'appareil du réseau électrique. L'appareil doit être raccordé impérativement à une prise de courant de sécurité installée de manière réglementaire. Si la prise n'est plus accessible après montage ou si un raccordement fixe est indispensable, il faut prévoir côté secteur un dispositif de coupure omnipolaire avec un écartement des contacts d'au moins 3 mm. Le raccordement doit être exclusivement effectué par un électricien qualifié.

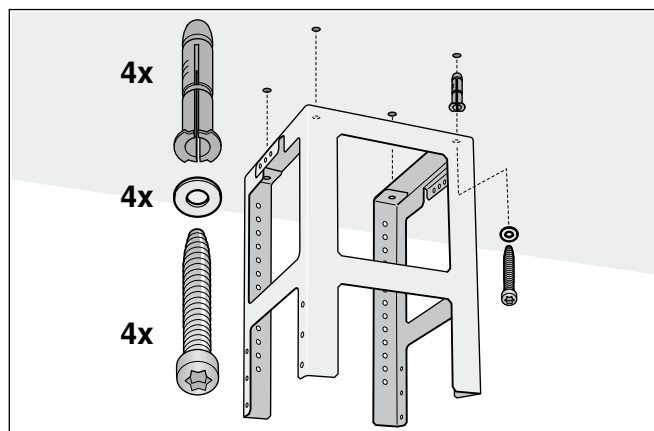
Installation

Monter le châssis-support supérieur

- 1 Avant le montage, définissez la hauteur totale du châssis-support et marquez l'emplacement des trous.

Remarque : Le châssis-support est réglable en hauteur par crans de 20 mm.

- 2 Au plafond, marquez l'emplacement du centre de l'appareil.
- 3 À l'aide du gabarit ci-joint, marquez les emplacements des vis contre le plafond.



- 4 Pour les fixations, percez quatre trous de 8 mm de \varnothing et profonds de 80 mm, puis enfoncez les chevilles jusqu'au ras de la surface
- 5 À l'aide de 4 vis, fixez la partie supérieure du châssis-support contre le plafond.

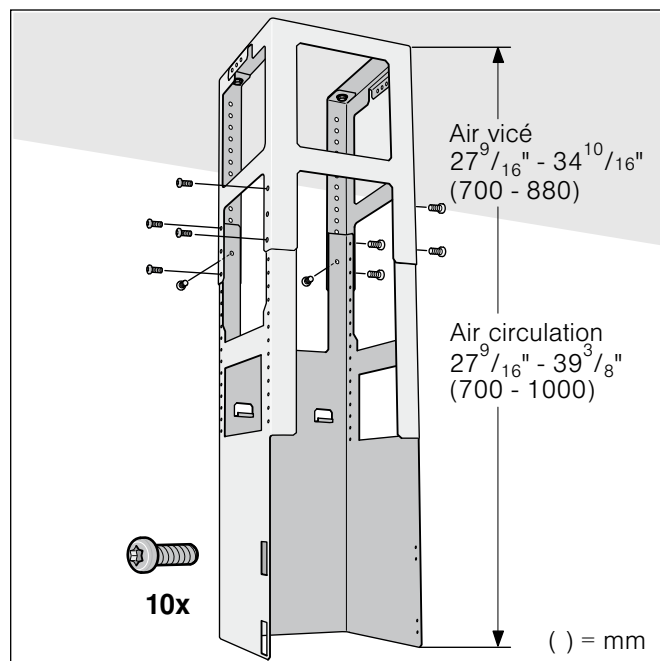
Remarque : Veillez à ce que le châssis-support se trouve dans une position correcte. L'étrier médian définit le côté préférentiel et doit pointer en direction de l'élément de commande de la table de cuisson.

Monter le châssis-support inférieur

Avec 10 vis, fixez les parties supérieure et inférieure du châssis-support à la hauteur totale définie.

Remarques

- Veillez à ce que le châssis-support inférieur se trouve dans une position correcte. Le côté ouvert doit pointer en direction des éléments de commande de la table de cuisson.
- Le fait de desserrer un peu les vis de fixation permet de rectifier après coup l'alignement du châssis-support.

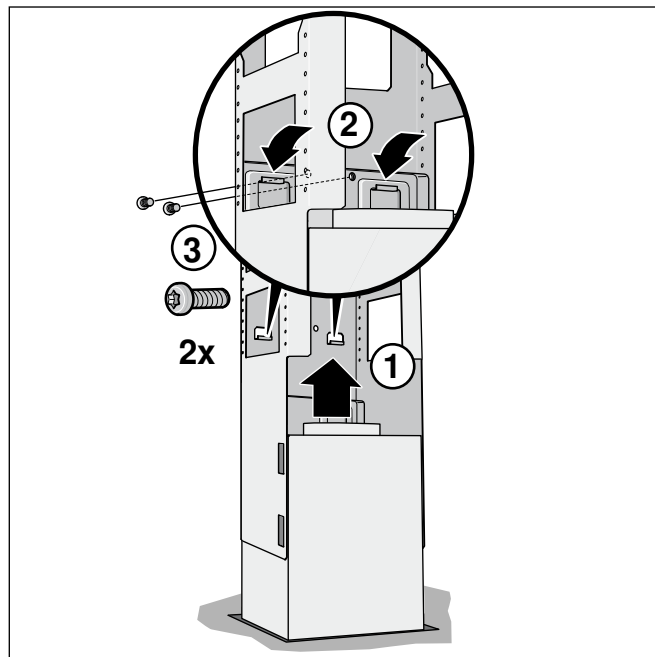


Monter l'appareil

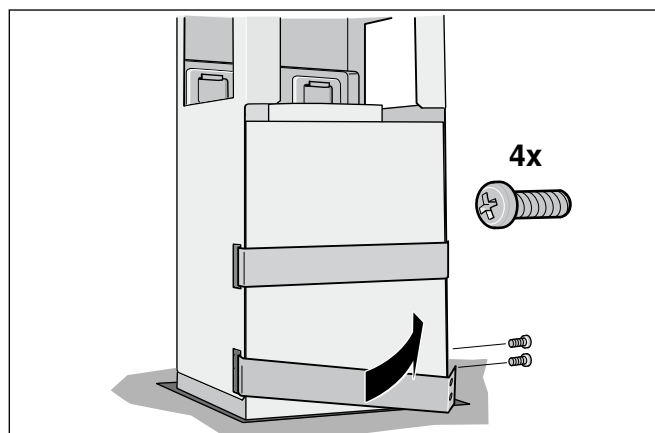
- 1 Accrochez l'appareil par le bas dans le châssis-support.

Remarque : Veillez à ne pas coincer le cordon d'alimentation.

- 2 A l'aide de 2 vis de blocage, fixez l'appareil contre le châssis-support.



- 3 Accrochez l'étrier de sécurisation et vissez-le à fond.



Fixer les jonctions des conduits

Remarque : Si vous utilisez un tuyau en aluminium, lissez au préalable la zone de raccordement.

Tuyau d'évacuation Ø 150 mm (diamètre recommandé)

Fixez le tuyau d'évacuation directement contre le manchon d'évacuation puis étanchez.

Tuyau d'évacuation Ø 120 mm

- 1 Fixez le manchon réducteur directement contre le manchon d'évacuation.
- 2 Fixez le tuyau d'évacuation contre le manchon réducteur.
- 3 Étanchez les deux zones de jonction avec un moyen approprié.

Monter le capot de cheminée

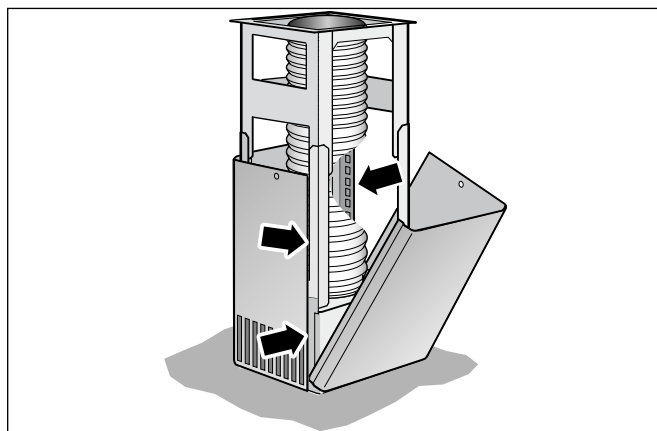
⚠ AVERTISSEMENT

Risque de blessure

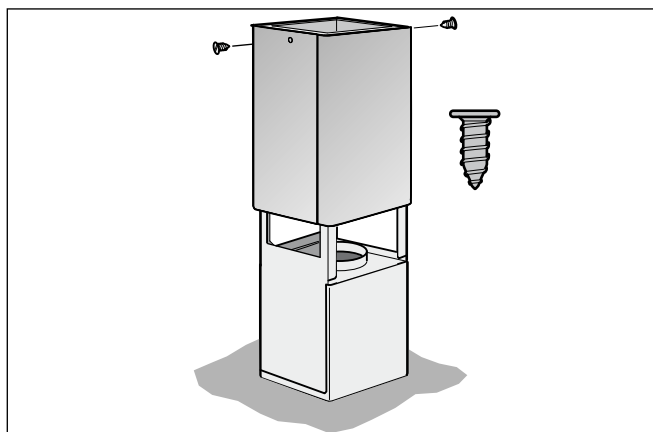
pendant l'installation par des arêtes coupantes. Pendant l'installation de l'appareil, toujours porter des gants de protection.

- 1 Séparez les capots de cheminée. Pour ce faire, retirez le ruban adhésif.
- 2 Retirez la pellicule protectrice des deux côtés.
- 3 Sur l'appareil, posez les deux pièces formant la partie supérieure du capot, puis emboîtez-les ensemble.

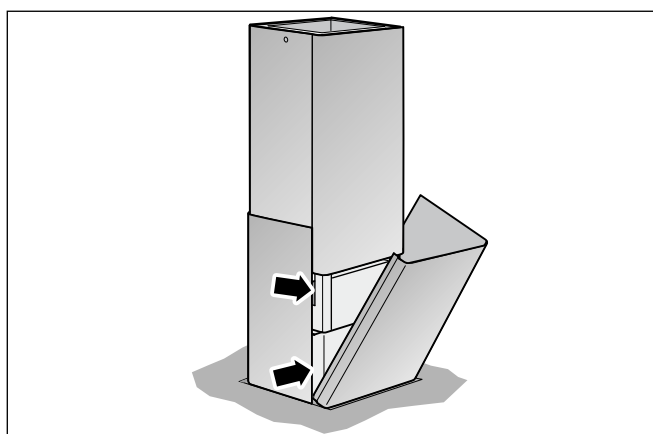
Remarque : Les ouïes de la partie supérieure du capot pointent vers le bas.



- 4 Poussez la partie supérieure du capot vers le haut, puis fixez-la à l'aide de 2 vis.



- 5 Mettez les deux parties inférieures du capot en place et emboîtez-les ensemble.



Dépose de l'appareil

- 1 Détacher le capot de cheminée.
- 2 Mettre l'appareil hors tension.
- 3 Détacher les conduits d'évacuation.
- 4 Desserrer les vis pour la fixation de l'appareil.
- 5 Enlever l'appareil.

Contenido

Instrucciones de uso	41	Instrucciones de instalación	51
Definiciones de Seguridad	41	INSTRUCCIONES DE SEGURIDAD IMPORTANTES	
INSTRUCCIONES DE SEGURIDAD IMPORTANTES	42	52	
Indicaciones generales	42	Seguridad con el manejo del electrodoméstico	53
Seguridad para evitar incendios	42	Códigos y normas de seguridad	54
Prevención de quemaduras	43	Seguridad con la electricidad	54
Seguridad de los niños	44	Seguridad relacionada con los equipos	55
Seguridad en la limpieza	44	Advertencias en virtud de la Proposición 65 del estado de California	55
Seguridad durante su uso	44	Antes de empezar	56
Instalación y mantenimiento adecuados	45	Herramientas y piezas necesarias	56
Advertencias en virtud de la Proposición 65 del estado de California	46	Piezas incluidas	56
Causas para los daños	46	Dimensiones del equipo	56
Protección del medio ambiente	46	Distancias de seguridad	57
Modos de funcionamiento	46	Información general	57
Funcionamiento con extracción de aire	46	Funcionamiento con extracción de aire	57
Funcionamiento en modo de recirculación	46	Conducto de escape	57
Manejo	47	Preparación del techo	58
Operar el equipo	47	Conexión eléctrica	58
Ajustar el ventilador	47	Instalación	58
Nivel intensivo	47	Montaje del bastidor de soporte superior	58
Función de inercia	47	Montaje del bastidor de soporte inferior	59
Ventilación a intervalos	48	Montaje del aparato	59
Iluminación	48	Montar los revestimientos de la chimenea	60
Indicador de saturación	48		
Limpieza y mantenimiento	48		
¿Qué hacer en caso de fallas?	50		
Servicio de atención al cliente	51		
Accesorio de funcionamiento en modo de recirculación	51		

Encontrará más información sobre productos, accesorios, piezas de repuesto y servicios en internet: www.gaggenau.com y también en la tienda online: www.gaggenau-eshop.com

Definiciones de Seguridad

ADVERTENCIA

Esto indica que se pueden producir lesiones graves o la muerte si no se cumple con esta advertencia.

ATENCION

Esto indica que pueden producirse lesiones leves o moderadas si no se cumple con esta advertencia.

AVISO: esto indica que puede producirse un daño al electrodoméstico o a la propiedad como resultado de la falta de cumplimiento de este aviso.

Nota: Esto lo alerta sobre información y/o consejos importantes.



INSTRUCCIONES DE SEGURIDAD IMPORTANTES

LEA Y CONSERVE ESTAS INSTRUCCIONES

ADVERTENCIA

Su nuevo electrodoméstico ha sido diseñado para ser seguro y confiable si recibe el cuidado adecuado. Lea atentamente todas las instrucciones antes de usarlo. Estas precauciones reducirán el riesgo de quemaduras, descarga eléctrica, incendio y lesiones a personas. Al utilizar electrodomésticos de cocina, se deben tomar precauciones de seguridad básicas, incluidas las que se encuentran en las páginas siguientes.

Indicaciones generales

Una vez retirado el embalaje, revise el aparato. No lo conecte si ha sufrido daños durante el transporte.

Seguridad para evitar incendios

Siempre tenga un detector de humo en funcionamiento cerca de la cocina.

ADVERTENCIA

PARA REDUCIR EL RIESGO DE INCENDIO OCASIONADO POR LA GRASA EN LA ESTUFA:

- Nunca deje las unidades de la superficie sin vigilancia en valores altos. Los derrames por hervor producen humos y salpicaduras grasosas que pueden prenderse fuego. Caliente los aceites despacio a temperaturas bajas o medianas.
- Siempre encienda la campana al cocinar a una temperatura alta.
- Limpie los ventiladores extractores con frecuencia. No se debe permitir la acumulación de la grasa en el ventilador ni en el filtro.
- Use el tamaño de cacerola adecuado. Siempre use utensilios de cocina apropiados para el tamaño del elemento de la superficie.

No flambee alimentos bajo la campana no decorativa ni trabaje con la llama abierta. Cuando está encendida, la campana extractora atrae las llamas hacia el filtro. ¡Siempre existe el riesgo de incendio debido a los depósitos en el filtro de grasa!

ATENCIÓN

Solo para la ventilación general. No utilizar para la extracción de sustancias y vapores peligrosos o explosivos.

No utilice ningún ventilador que tenga el cable o la clavija dañados. Deseche el ventilador o entréguelo a un taller autorizado para su inspección y/o reparación.

No tender el cable por debajo de moquetas. No tapan el cable con alfombras, felpudos ni similares. No pasar el cable por debajo de muebles o electrodomésticos. Tender el cable alejado de la zona de paso y en un lugar donde no implique peligro de tropiezo.

En el caso de que su ropa se prenda fuego, arrójese al piso y ruede de inmediato para extinguir las llamas.

Sofoque las llamas provocadas por alimentos que se prenden fuego, que no sean incendios ocasionados por grasa, con bicarbonato de sodio. Nunca use agua en incendios ocasionados al cocinar.

ADVERTENCIA

PARA REDUCIR EL RIESGO DE LESIONES A PERSONAS EN CASO DE INCENDIO OCASIONADO POR GRASA EN LA ESTUFA, SIGA ESTAS INDICACIONES:

- SOFOQUE LAS LLAMAS con una tapa que ajuste correctamente, una placa para galletas u otra bandeja de metal; luego, apague la hornilla. **ASEGÚRESE DE PREVENIR LAS QUEMADURAS.** Si las llamas no se apagan de inmediato, **EVACUE EL ÁREA Y LLAME AL DEPARTAMENTO DE BOMBEROS.**
 - **NUNCA LEVANTE UNA OLLA EN LLAMAS** ya que se puede quemar.
 - **NO USE AGUA**, ni toallas o repasadores húmedos, ya que puede ocasionar una violenta explosión por vapor.
 - Use un extinguidor **SÓLO** si:
 - Sabe que tiene un extinguidor Clase ABC y ya sabe cómo usarlo.
 - El incendio es pequeño y se limita al área donde se originó.
 - Alguien llamó al departamento de bomberos.
 - Puede combatir el incendio de espaldas a una salida.
-

Tenga un extinguidor de incendio disponible, cerca, en un área fácilmente visible y accesible, cerca del electrodoméstico.

Si es posible, no ponga el sistema de ventilación en funcionamiento si hay un incendio en la placa. Pero no atraviese el fuego con la mano para apagarla.



INSTRUCCIONES DE SEGURIDAD IMPORTANTES

LEA Y CONSERVE ESTAS INSTRUCCIONES

ADVERTENCIA

Peligro de incendio

Los depósitos de grasa en el filtro de grasa se pueden incendiar.

Limpie el filtro de grasa por lo menos cada dos meses.

Nunca haga funcionar el equipo sin filtro de grasa.

ADVERTENCIA

Peligro de incendio

Los depósitos de grasa en el filtro de grasa se pueden incendiar. Nunca trabaje con flama abierta cerca del equipo (por ejemplo con platillos flameados). Solamente instale el equipo cerca de un fogón para sustancias sólidas (p. ej. madera o carbón) si está disponible una cubierta cerrada que no se pueda quitar. No deben volar las chispas.

ADVERTENCIA

Riesgo de incendio

Los quemadores de gas en los que no se haya colocado ningún recipiente para cocinar encima, generan gran cantidad de calor durante su funcionamiento. Eso puede dañar o incendiar el aparato de ventilación situado encima. Utilizar los quemadores de gas únicamente colocando encima recipientes para cocinar.

ADVERTENCIA

Peligro de incendio

Cuando se usan simultáneamente varios fogones de gas se genera mucho calor. Eso puede dañar o incendiar el aparato de ventilación situado encima. No utilizar simultáneamente durante más de 15 minutos dos zonas de cocción de gas con una llama grande. Un quemador grande con más de 17,000 Btu/hr (5 kW) (wok) equivale a la potencia de dos quemadores de gas.

ADVERTENCIA

Riesgo de incendio

Cuando se usan simultáneamente varios quemadores de gas se genera mucho calor. El aparato de ventilación puede dañarse o incendiarse. El aparato de ventilación solo puede combinarse con quemadores de gas que no superen una potencia total máxima de 61,000 Btu/hr (18 kW). Al exceder la potencia total de 41,000 Btu/hr (12 kW) se deben observar los reglamentos locales respecto a la ventilación del área, tamaño del área y combinación con aparatos de ventilación en el modo de aire de extracción o aire de circulación.

ADVERTENCIA

Peligro de incendio

El aceite y la grasa calientes son altamente inflamables. Nunca deje aceite ni grasa calientes sin supervisión. Nunca extinga un incendio con agua. Apague la zona de cocina. Sofoque las llamas con cuidado con una tapa, una manta ignífuga o un objeto similar.

Prevención de quemaduras

ADVERTENCIA

Riesgo de quemaduras

Al estar en funcionamiento, las partes accesibles se calientan mucho. Nunca toque las partes calientes. Mantenga alejados a los niños.



INSTRUCCIONES DE SEGURIDAD IMPORTANTES

LEA Y CONSERVE ESTAS INSTRUCCIONES

Seguridad de los niños

Cuando los niños tienen la edad adecuada para utilizar el electrodoméstico, es responsabilidad legal de los padres o tutores legales asegurarse de que reciban las instrucciones sobre prácticas seguras por parte de personas calificadas.

Retire toda la cinta y el embalaje antes de usar el electrodoméstico. Destruya el embalaje después de desembalar el electrodoméstico. Nunca deje que los niños jueguen con el material de embalaje.

No deje que nadie se suba, pare, incline, sienta o cuelgue de cualquier parte de un electrodoméstico, especialmente una puerta, cajón calentador o cajón para almacenamiento. Esto puede dañar el electrodoméstico, y la unidad puede caerse y, posiblemente, causar lesiones graves.

No permita que niños utilicen este electrodoméstico, a menos que sean supervisados de cerca por un adulto. Los niños y las mascotas no deben quedar solos o sin vigilancia en el área donde se utilice el electrodoméstico. Nunca se les debe permitir jugar cerca del electrodoméstico, independientemente de que esté en funcionamiento o no.

ATENCIÓN

Los objetos de interés para niños no deben almacenarse en un electrodoméstico, en gabinetes sobre un electrodoméstico ni en la placa antisalpaduras. Si los niños se suben a un electrodoméstico para alcanzar estos objetos, podrían sufrir lesiones graves.

Seguridad en la limpieza

ADVERTENCIA

Asegúrese de que todo el electrodoméstico (incluidos los filtros de grasa y los focos, si corresponde) se haya enfriado y la grasa se haya solidificado antes de intentar limpiar cualquier parte del electrodoméstico.

No use limpiadores a vapor para limpiar el aparato.

Seguridad durante su uso

ADVERTENCIA

No repare ni reemplace ninguna parte del electrodoméstico, a menos que esté específicamente recomendado en este manual. Nunca modifique ni altere la construcción del electrodoméstico. La instalación, servicio técnico o mantenimiento incorrectos pueden causar lesiones o daños materiales. Consulte este manual para su orientación. Remita todas las reparaciones a un centro de servicio técnico autorizado por la fábrica.

ADVERTENCIA

Riesgo de lesiones

Los objetos situados sobre el aparato pueden caerse. No colocar objetos sobre el aparato.

ADVERTENCIA

Riesgo de lesiones

La luz de las luces LED es muy deslumbrante y puede dañar los ojos (grupo de riesgo 1). No mirar más de 100 segundos directamente a las luces LED encendidas.



INSTRUCCIONES DE SEGURIDAD IMPORTANTES

LEA Y CONSERVE ESTAS INSTRUCCIONES

Instalación y mantenimiento adecuados

Pídale al instalador que le muestre la ubicación del disyuntor o el fusible. Márquela para recordarla más fácilmente.

Este electrodoméstico debe ser correctamente instalado y conectado a tierra por un técnico calificado. Conéctelo sólo a una toma de corriente eléctrica correctamente conectada a tierra. Para obtener más información, consulte las Instrucciones de instalación.

Este electrodoméstico ha sido diseñado para uso doméstico normal únicamente. No está aprobado para uso en exteriores. Consulte la garantía. Si tiene alguna pregunta, comuníquese con el fabricante.

No almacene ni utilice productos químicos corrosivos, vapores, materiales inflamables ni productos no alimenticios dentro de este electrodoméstico ni cerca de él. Está específicamente diseñado para calentar o cocinar alimentos. El uso de productos químicos corrosivos al calentar o limpiar dañará el electrodoméstico y podría causar lesiones.

No utilice este electrodoméstico si no funciona correctamente o si ha sido dañado. Comuníquese con un centro de servicio técnico autorizado.

No repare ni cambie ninguna parte del electrodoméstico, a menos que se recomiende específicamente en este manual. Remita todas las reparaciones a un centro de servicio técnico autorizado por la fábrica.

ATENCIÓN

La grasa acumulada en los filtros puede volver a derretirse y entrar en la abertura de ventilación.

ATENCIÓN

Apague la alimentación eléctrica en el disyuntor antes de retirar un foco dañado. No toque los focos inmediatamente después de que hayan estado en uso. Los focos permanecen calientes durante varios minutos.

ADVERTENCIA

Asegúrese de que el electrodoméstico y las luces se hayan enfriado, y de que la alimentación eléctrica del electrodoméstico esté apagada antes de cambiar el (los) foco(s). No hacerlo podría ocasionar una descarga eléctrica o quemaduras. La lente (si viene incorporada) debe estar en su lugar al usar el electrodoméstico. La lente (si viene incorporada) sirve para proteger el foco contra roturas. La lente (si viene incorporada) es de vidrio. Manipúlela con cuidado para que no se rompa. El vidrio roto podría causar una lesión.

Las superficies ocultas pueden tener bordes filosos. Proceda con cuidado al intentar tomar el electrodoméstico por la parte trasera o desde abajo.

ADVERTENCIA

Cuando se utiliza la campana en modo de aire de escape simultáneamente con un quemador diferente que también usa la misma chimenea (como calentadores a gas, aceite o carbón, calentadores de flujo continuo, calentadores de agua) se debe asegurar que haya un suministro de aire fresco suficiente para las necesidades de combustión del quemador.

La operación segura es posible siempre que la subpresión de la habitación donde está instalado el quemador no supere los 4 Pa (0.04 mbar). Esto es posible si el aire de combustión puede circular a través de aberturas que no puedan trabarse, como ser en puertas y ventanas, y a través de cajas de entrada/salida de aire en la pared, o mediante otras medidas técnicas, como enclavamiento recíproco, etc.

ADVERTENCIA

Evite la intoxicación por monóxido de carbono: proporcione una entrada de aire suficiente para que los gases de la combustión no vuelvan a ingresar en la habitación.

Una caja de entrada/salida de aire en la pared por sí sola no garantiza que no se superará el valor límite.

Nota: Al evaluar el requisito total, se debe tener en cuenta el sistema de ventilación combinado para todo el hogar. Esta norma no se aplica al uso de aparatos de cocina, como parrillas y hornos.

Advertencias en virtud de la Proposición 65 del estado de California

ADVERTENCIA

Este producto contiene una o más sustancias químicas que el estado de California sabe que provocan cáncer, defectos congénitos, u otro daño reproductivo.

Causas para los daños

AVISOS:

- Peligro de daños por corrosión. Encender siempre el aparato cuando se vaya a cocinar con el fin de evitar la formación de agua condensada. El agua condensada puede conllevar daños por corrosión.
- Peligro de daños por humedad que penetre en el sistema eléctrico. Nunca limpie los elementos de operación con trapos mojados.
- Daño en la superficie por limpieza inadecuada. Limpie las superficies de acero inoxidable solamente en dirección del tallado original. No utilice limpiador para acero inoxidable para elementos de servicio.
- Daño en la superficie por productos de limpieza agresivos o por frotación. Nunca use productos de limpieza agresivos o por frotación.
- Peligro de daños por recirculación del vapor condensado. Instalar el canal de salida de aire del aparato ligeramente inclinado hacia abajo (1° de desnivel).

Protección del medio ambiente

Saque el equipo de su empaque y elimine éste de forma ecológica.

Modos de funcionamiento

Este equipo se puede utilizar en funcionamiento con extracción de aire o con funcionamiento de circulación de aire.

Funcionamiento con extracción de aire



El aire aspirado se depura a través de filtros antigrasa y se evacua al exterior mediante un sistema de conductos.

Nota: La emisión de los gases no se debe canalizar hacia una chimenea de humo o de gases de escape que esté en funcionamiento, ni hacia un tiro que sirva para sacar el aire de las habitaciones donde haya equipos con fuego.

- Si los gases de escape se van a canalizar hacia una chimenea de humo o de gases de escape que no esté en funcionamiento, se tiene que conseguir la aprobación del especialista en chimeneas correspondiente.
- Si las emisiones de gases se canalizan a través del muro externo, se tiene que utilizar una caja telescópica para muros.

Funcionamiento en modo de recirculación



El aire aspirado se depura a través de los filtros antigrasa y de un filtro de carbón activado y se vuelve a suministrar a la cocina.

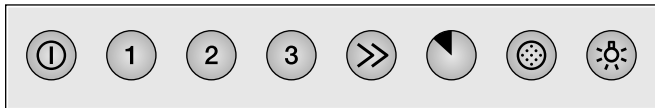
Nota: Para neutralizar los olores durante el funcionamiento en modo de recirculación, debe instalarse un filtro de carbón activado. Para conocer todas las posibilidades que ofrece el funcionamiento en modo de recirculación del aparato, consulte la documentación correspondiente o consúltelo en un comercio especializado. Los accesorios necesarios para tal fin pueden adquirirse en comercios especializados, en el Servicio de Asistencia Técnica o en la tienda en línea. Los códigos de los accesorios figuran al final de las instrucciones de uso.

Manejo

Nota: Encender la campana extractora al empezar a cocinar y apagarla unos minutos después de haber finalizado con las tareas de cocción. De esta manera se neutralizarán con gran efectividad los vapores que se desprenden al cocinar.

Operar el equipo

Tablero de control



Explicación

ⓘ	Ventilador encendido/apagado
1	Nivel de ventilador 1
2	Nivel de ventilador 2
3	Nivel de ventilador 3
>>	Nivel intensivo
🌀	Función de marcha en inercia
⦿	Indicador de saturación
💡	Luz encendida/apagada

Ajustar el ventilador

Conexión

Para la aspiración existen tres niveles de ventilación y un nivel intensivo.

- 1 Encender el aparato con la tecla ⓘ. El ventilador se pone en marcha en el nivel 2.
- 2 Ajustar el nivel de ventilación de acuerdo con la situación de cocción con las teclas 1, 2, 3 o >>.

Desconexión

Apagar el aparato con la tecla ⓘ.

Nivel intensivo

En caso de fuertes olores y vapores, utilizar el nivel intensivo.

- 1 Encender el aparato con la tecla ⓘ. El ventilador se pone en marcha en el nivel 2.
- 2 Encender el nivel intensivo con la tecla >>. **Nota:** Si se ha pulsado la tecla mientras está funcionando la ventilación en el nivel 1, 2 o 3, el sistema electrónico vuelve automáticamente al nivel de ventilación previamente seleccionado transcurridos 5 minutos.
- 3 Para finalizar el nivel intensivo antes de tiempo, pulsar la tecla ⓘ o la tecla de otro nivel de ventilador.

Ajustar la duración del ciclo de cocción

Se puede ajustar la duración del ciclo de cocción, transcurrida la cual, el nivel intensivo se apaga automáticamente.

Duración	Pulsar las teclas simultáneamente
3 minutos	>> y 1
5 minutos	>> y 2
10 minutos	>> y 3

En el estado de suministro vienen ajustados 5 minutos.

Función de inercia

La función de marcha en inercia está disponible en cualquier nivel de ventilación.




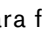
- 1 Pulsar primero la tecla del nivel de ventilador deseado 1, 2, 3 o >> y a continuación la tecla 🌀.

Notas

- El tiempo de desconexión automática es de diez minutos en todos los niveles de ventilador. La ventilación se apagará automáticamente una vez finalizado ese tiempo.
 - Si la iluminación está conectada, seguirá encendida.
- 2 Para finalizar la función de marcha en inercia antes de tiempo, pulsar la tecla ⓘ.

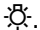
Ventilación a intervalos

En la ventilación a intervalos el aparato se conecta automáticamente durante cinco minutos por cada hora.


- 1 Encender el aparato con la tecla  .
El ventilador arranca en el nivel 2. La ventilación a intervalos se puede utilizar en el nivel 1, 2 o 3.
- 2 Pulsar dos veces la tecla de marcha en inercia  .
Nota: Este modo de funcionamiento se indica con la iluminación alterna de la tecla  con el nivel correspondiente.
- 3 Pulsar la tecla  para finalizar la ventilación a intervalos.

Iluminación


La iluminación se puede encender y apagar de forma independiente de la ventilación.


Pulsar la tecla .

Ajuste del brillo

Mantener pulsada la tecla  hasta conseguir el brillo deseado.

Indicador de saturación

Transcurridas 30 horas de funcionamiento, parpadea el indicador de saturación  del filtro antigrasa.

- En ese momento se deben limpiar los filtros metálicos antigrasa. La limpieza del filtro de metal antigrasa se explica en el capítulo **Limpieza y cuidados del aparato**.
- Restablecer el indicador de saturación con la tecla  mientras parpadea.

Limpieza y mantenimiento

ADVERTENCIA

Peligro de quemaduras

El aparato se calienta durante el funcionamiento, sobre todo en la zona de las lámparas. Antes de proceder a la limpieza del aparato, dejar que se enfríe.

ADVERTENCIA

Peligro de descarga eléctrica

Si penetra humedad puede causar una descarga eléctrica. Limpiar el aparato solo con un paño húmedo. Antes de la limpieza hay que desconectar el enchufe o los fusibles de la caja de fusibles.

ADVERTENCIA

Peligro de descarga eléctrica

La humedad penetrante puede causar una descarga eléctrica. No use una hidrolavadora ni un limpiador por vapor.

ADVERTENCIA

Peligro de lesiones

Los componentes dentro del equipo pueden tener bordes filosos. Utilice guantes protectores.

Productos de limpieza

A fin de no dañar las distintas superficies con productos de limpieza inapropiados, consultar las indicaciones de la tabla. No usar en ningún caso:

- productos de limpieza abrasivos o corrosivos
- productos de limpieza con un alto contenido alcohólico
- estropajos o esponjas de fibra dura
- limpiadores de alta presión o por chorro de vapor

Lavar a fondo las bayetas nuevas antes de usarlas.

Respetar todas las instrucciones y avisos que incluyen los productos de limpieza.

Zona	Productos de limpieza
Acero inoxidable	Agua caliente con jabón: Limpiar con una bayeta y secar con un paño suave. Limpiar las superficies de acero inoxidable siempre en la dirección del pulido. Puede adquirir productos de limpieza de acero especiales en el Servicio de asistencia técnica o en comercios especializados. Aplicar una capa muy fina del producto de limpieza con un paño suave.
Superficies barnizadas	Agua caliente con jabón: Limpiar con una bayeta húmeda y secar con un paño suave. No usar limpiadores para acero inoxidable.
Aluminio y plástico	Limpiacristales: Limpiar con un paño suave.
Cristal	Limpiacristales: Limpiar con un paño suave. No utilizar rascadores para vidrio.
Elementos de mando:	Agua caliente con jabón: Limpiar con una bayeta húmeda y secar con un paño suave. Peligro de daños por humedad en el interior del sistema electrónico. Elementos de mando: No limpiarlos nunca con un paño húmedo. No usar limpiadores para acero inoxidable.

Limpiar los filtros metálicos para grasa

ADVERTENCIA

Peligro de incendio

Los depósitos de grasa en el filtro de grasa se pueden incendiar.

Limpie el filtro de grasa por lo menos cada dos meses.

Nunca haga funcionar el equipo sin filtro de grasa.

Notas

- No use productos de limpieza agresivos, o que contengan ácidos o lejía.
- Al limpiar los filtros metálicos para grasa, limpie también el soporte de los filtros en el equipo con un trapo húmedo.
- Los filtros metálicos los puede lavar en la máquina lavavajillas o a mano.

En el lavavajillas:

Nota: La limpieza en el lavavajillas podría conllevar ligeras decoloraciones. Esto no afecta al funcionamiento normal de los filtros de metal antigrasa.

- No lavar los filtros de metal antigrasa junto con el resto de la vajilla si están muy sucios.
- Colocar debidamente los filtros de metal antigrasa en el lavavajillas. Los filtros de metal antigrasa no deben quedar aprisionados.

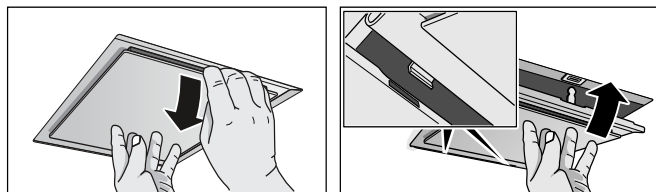
A mano:

Nota: En caso de suciedad rebelde, se puede usar un solvente especial para la grasa. Este producto se puede solicitar en la tienda en línea.

- Deje que los filtros metálicos para grasa se aflojen en agua caliente con jabón para trastes .
- Utilice un cepillo para lavarlos, y después enjuague bien los filtros.
- Permita que se escurran bien los filtros metálicos.

Desmontar el filtro de metal antigrasa

- 1 Extraer el filtro de metal antigrasa del soporte.
- 2 Extraer hacia abajo el filtro de metal antigrasa. Agarrar por debajo el filtro de metal antigrasa con la otra mano.



Notas

- La grasa puede acumularse en la parte inferior del filtro de metal antigrasa.
 - Sujetar el filtro de metal antigrasa en posición horizontal para evitar que gotee grasa.
- 3 Limpiar el filtro de metal antigrasa.

Montar el filtro de metal antigrasa

- 1 Colocar el filtro de metal antigrasa. Agarrar por debajo el filtro de metal antigrasa con la otra mano.
- 2 Plegar hacia arriba el filtro de metal antigrasa y fijar el bloqueo.

¿Qué hacer en caso de fallas?

Muchas veces podrá solucionar fácilmente usted mismo los fallos que aparezcan. Antes de llamar al servicio técnico, tome en cuenta las siguientes indicaciones.

⚠ ADVERTENCIA

Peligro de descarga eléctrica

Las reparaciones no profesionales son peligrosas. Solamente un técnico de servicio al cliente entrenado por nosotros puede realizar las reparaciones y cambiar las conexiones dañadas. Si el equipo presenta defectos, saque el enchufe o desconecte el fusible de la caja de fusibles. Comuníquese con el servicio al cliente.

Tabla de fallas

Falla	Posible causa	Solución
El equipo no funciona.	El enchufe no está conectado	Conectar el equipo a la red eléctrica
	Corte de luz	Verificar si están funcionando los demás aparatos de la cocina
	Fusible defectuoso	Revisar en la caja de fusibles si está bien el fusible del equipo

Luces LED

La sustitución de las luces LED debe encomendarse siempre al fabricante, al Servicio de asistencia técnica o a profesionales autorizados (instaladores electricistas).

⚠ ADVERTENCIA

Riesgo de lesiones

La luz de las luces LED es muy deslumbrante y puede dañar los ojos (grupo de riesgo 1). No mirar más de 100 segundos directamente a las luces LED encendidas.

Servicio de atención al cliente

Si su aparato necesita una reparación, nuestro servicio de atención al cliente estará encantado de ayudarle. Siempre encontramos la solución adecuada, incluso para evitar visitas innecesarias de los técnicos.

Cuando llame por teléfono, indique la referencia del producto (Nº E) y el número de fabricación (Nº FD) para que podamos ofrecerle un servicio cualificado. La placa de características con la numeración se encuentra en el interior del aparato (desmontar el filtro de metal antigrasa).

Para evitar tener que buscar los datos de su aparato cuando los precise, es aconsejable anotarlos aquí conjuntamente con el número de teléfono del Servicio de atención al cliente.

Nº E.

Nº FD.

Servicio de atención al cliente ☎

Tenga en cuenta que la visita del técnico del servicio de atención al cliente no es gratuito en caso de que el mal funcionamiento sea debido a un manejo incorrecto del aparato.

Las señas de las delegaciones internacionales figuran en la lista adjunta de centros y delegaciones del Servicio de Asistencia Técnica Oficial.

Solicitud de reparación y asesoramiento en caso de averías

US 877 442 4436
toll-free

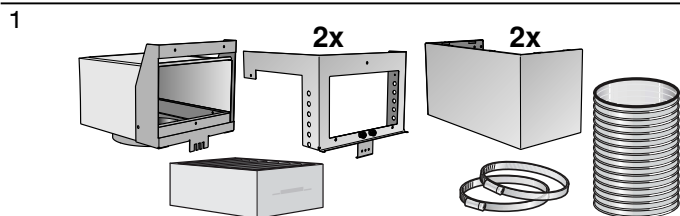
Confíe en la competencia del fabricante. De esa forma se asegura de que la reparación se lleva a cabo por personal técnico debidamente instruido, equipado con las piezas originales y de repuesto necesarias para su aparato.

Accesorio de funcionamiento en modo de recirculación

(no incluido de serie)

Nota: Consultar las instrucciones de montaje del accesorio.

Equipamiento inicial



Filtros intercambiables



1 AA200816

2 AA200110



INSTRUCCIONES DE SEGURIDAD IMPORTANTES

LEA Y CONSERVE ESTAS INSTRUCCIONES

INSTALADOR: DEJE ESTAS INSTRUCCIONES CON EL ELECTRODOMÉSTICO CUANDO HAYA FINALIZADO LA INSTALACIÓN.

IMPORTANTE: CONSERVE ESTAS INSTRUCCIONES PARA USO DEL INSPECTOR DE ELECTRICIDAD LOCAL.

ADVERTENCIA

Si no sigue la información de este manual exactamente, se puede ocasionar un incendio o una descarga eléctrica que puede causar daños materiales o lesiones personales.

ADVERTENCIA

No repare ni reemplace ninguna parte del electrodoméstico, a menos que esté específicamente recomendado en este manual. Nunca modifique ni altere la construcción del electrodoméstico. La instalación, servicio técnico o mantenimiento incorrectos pueden causar lesiones o daños materiales. Consulte este manual para su orientación. Remita todas las reparaciones a un centro de servicio técnico autorizado por la fábrica.

ADVERTENCIA

ADVERTENCIA – PARA REDUCIR EL RIESGO DE INCENDIO, CHOQUE ELÉCTRICO O LESIONES A LAS PERSONAS, OBSERVE LAS SIGUIENTES RECOMENDACIONES

- El trabajo de instalación y el cableado eléctrico deben realizarse por personal calificado conforme a todos los códigos y estándares aplicables, incluyendo construcción contra incendios.
 - Se requiere suficiente aire para la combustión y escape adecuado de gases por el conducto (chimenea) del equipo que quema combustible para evitar la contracorriente. Siga la directriz y las normas de seguridad del fabricante de equipos de calefacción, como las publicadas por La Asociación Nacional para la Protección contra Incendios (NFPA, por sus siglas en inglés) y la Sociedad Americana de Ingenieros en Calefacción, Refrigeración y Aire Acondicionado (ASHRAE, por sus siglas en inglés) y las autoridades locales correspondientes.
 - Al cortar o perforar la pared o el techo, no dañe el cableado eléctrico u otras instalaciones ocultas.
 - Los ventiladores entubados siempre deben ser ventilados hacia el exterior.
-

ADVERTENCIA

Al instalar la campana, deben cumplirse las reglamentaciones aplicables de las compañías de suministro de energía y las reglamentaciones regionales de construcción.

ADVERTENCIA

Peligro de incendio

Los depósitos de grasa en el filtro de grasa se pueden incendiar. Nunca trabaje con flama abierta cerca del equipo (por ejemplo con platillos flameados). Solamente instale el equipo cerca de un fogón para sustancias sólidas (p. ej. madera o carbón) si está disponible una cubierta cerrada que no se pueda quitar. No deben volar las chispas.



INSTRUCCIONES DE SEGURIDAD IMPORTANTES

LEA Y CONSERVE ESTAS INSTRUCCIONES

ADVERTENCIA

Riesgo de incendio

Cuando se usan simultáneamente varios quemadores de gas se genera mucho calor. El aparato de ventilación puede dañarse o incendiarse. El aparato de ventilación solo puede combinarse con quemadores de gas que no superen una potencia total máxima de 61,000 Btu/hr (18 kW). Al exceder la potencia total de 41,000 Btu/hr (12 kW) se deben observar los reglamentos locales respecto a la ventilación del área, tamaño del área y combinación con aparatos de ventilación en el modo de aire de extracción o aire de circulación.

ADVERTENCIA

Para reducir el riesgo de incendio y para hacer que el aire salga al exterior correctamente, asegúrese de que haya un conducto que lo dirija hacia afuera. No dirija el aire de salida hacia lugares cerrados, espacios dentro de paredes, techos, áticos, huecos sanitarios o garajes.

ADVERTENCIA

A fin de reducir el riesgo de incendio, utilizar únicamente conducciones de metal.

ADVERTENCIA

Cuando se utiliza la campana en modo de aire de escape simultáneamente con un quemador diferente que también usa la misma chimenea (como calentadores a gas, aceite o carbón, calentadores de flujo continuo, calentadores de agua) se debe asegurar que haya un suministro de aire fresco suficiente para las necesidades de combustión del quemador.

La operación segura es posible siempre que la subpresión de la habitación donde está instalado el quemador no supere los 4 Pa (0.04 mbar). Esto es posible si el aire de combustión puede circular a través de aberturas que no puedan trabarse, como ser en puertas y ventanas, y a través de cajas de entrada/salida de aire en la pared, o mediante otras medidas técnicas, como enclavamiento recíproco, etc.

ADVERTENCIA

Evite la intoxicación por monóxido de carbono: proporcione una entrada de aire suficiente para que los gases de la combustión no vuelvan a ingresar en la habitación.

Una caja de entrada/salida de aire en la pared por sí sola no garantiza que no se superará el valor límite.

Nota: Al evaluar el requisito total, se debe tener en cuenta el sistema de ventilación combinado para todo el hogar. Esta norma no se aplica al uso de aparatos de cocina, como parrillas y hornos.

ATENCIÓN

Solo para la ventilación general. No utilizar para la extracción de sustancias y vapores peligrosos o explosivos.

Peligro de daños por recirculación del vapor condensado. Instalar el canal de salida de aire del aparato ligeramente inclinado hacia abajo (1° de desnivel).

Seguridad con el manejo del electrodoméstico

La unidad es pesada y se requieren al menos dos personas o un equipo adecuado para trasladarla.

Las superficies ocultas pueden tener bordes filosos. Proceda con cuidado al intentar tomar el electrodoméstico por la parte trasera o desde abajo.

ADVERTENCIA

Riesgo de lesiones

Si el aparato no está fijado correctamente a la pared, puede caerse. Todos los elementos de fijación deben montarse debidamente.



INSTRUCCIONES DE SEGURIDAD IMPORTANTES

LEA Y CONSERVE ESTAS INSTRUCCIONES

Códigos y normas de seguridad

Este electrodoméstico cumple con la última versión de una o más de las siguientes normas:

- UL 507 - Ventiladores eléctricos (Electric Fans)
- CAN/CSA C22.2 No. 113 - Ventiladores (Fans and Ventilators)

Seguridad con la electricidad

ADVERTENCIA

INSTRUCCIONES PARA LA CONEXIÓN A TIERRA

Este aparato debe estar conectado a tierra. En caso de un cortocircuito eléctrico, la conexión a tierra reduce el riesgo de descarga eléctrica proporcionando un cable de escape para la corriente eléctrica.

Este aparato viene equipado con un cable con un enchufe de conexión a tierra. El enchufe debe colocarse en una toma de corriente adecuada que esté correctamente instalada y conectada a tierra.

ADVERTENCIA

La incorrecta conexión a tierra puede causar una descarga eléctrica. Consulte a un electricista calificado si no comprende la totalidad de las instrucciones de conexión a tierra o si tiene alguna duda respecto de si el aparato está correctamente conectado a tierra. No use un cable de extensión. Si el cable de alimentación eléctrica es demasiado corto, solicite a un electricista calificado que instale una toma de corriente cerca del aparato.

ADVERTENCIA

Antes de enchufar un cable eléctrico o apagar la fuente de alimentación eléctrica, asegúrese de que todos los controles se encuentren en la posición OFF (Apagado).

Para los electrodomésticos equipados con cable y enchufe, no corte ni retire la espiga de conexión a tierra. Debe enchufarse en un receptáculo de conexión a tierra compatible para evitar descargas eléctricas. Si tiene alguna duda respecto de si el receptáculo de pared está correctamente conectado a tierra, el cliente debe solicitar la verificación de un electricista calificado.

Si el Código Nacional Eléctrico (o el Código Eléctrico Canadiense) así lo requiere, este electrodoméstico debe instalarse en un circuito derivado por separado.

ADVERTENCIA

Para reducir el riesgo de choque eléctrico, no use este ventilador con ningún dispositivo de control de velocidad de estado sólido.

El instalador debe mostrar al propietario la ubicación del disyuntor o el fusible. Márquela para recordarla más fácilmente.

Antes de realizar la instalación, apague la alimentación eléctrica en el panel de servicio. Trabe el panel de servicio para impedir que se encienda accidentalmente la alimentación eléctrica.

ADVERTENCIA

PARA REDUCIR EL RIESGO DE INCENDIO, CHOQUE ELÉCTRICO O LESIONES A LAS PERSONAS, OBSERVE LAS SIGUIENTES RECOMENDACIONES:

- Utilice esta unidad sólo de la manera indicada por el fabricante. Si tiene preguntas, póngase en contacto con el fabricante.
- Antes de reparar o limpiar la unidad, desconecte el suministro eléctrico en el panel de servicio y bloquee el servicio desconectando las conexiones para evitar que se encienda accidentalmente. Cuando no pueda bloquearse la desconexión del servicio, coloque un aviso prominente de advertencia, como un letrero, en el panel de servicio.

Asegúrese de que el electrodoméstico sea correctamente instalado y conectado a tierra por un técnico calificado. La instalación, las conexiones eléctricas y la conexión a tierra deben cumplir con todos los códigos correspondientes.



INSTRUCCIONES DE SEGURIDAD IMPORTANTES

LEA Y CONSERVE ESTAS INSTRUCCIONES

ADVERTENCIA

Peligro de descarga eléctrica

Los componentes dentro del equipo pueden tener bordes filosos. Puede dañarse el cable de conexión. No retorcer ni constreñir el cable durante la instalación.

Seguridad relacionada con los equipos

Retire toda la cinta y el embalaje antes de usar el electrodoméstico. Destruya el embalaje después de desembalar el electrodoméstico. Nunca deje que los niños jueguen con el material de embalaje.

Se garantiza la seguridad de uso de la placa solamente si es instalada por un especialista de acuerdo con estas instrucciones de instalación. El instalador es responsable de cualquier daño que se produzca debido a la instalación incorrecta.

Nunca modifique ni altere la construcción del electrodoméstico. Por ejemplo, no retire las patas niveladoras, paneles, cubiertas para cables ni soportes/tornillos antivuelco.

Advertencias en virtud de la Proposición 65 del estado de California

ADVERTENCIA

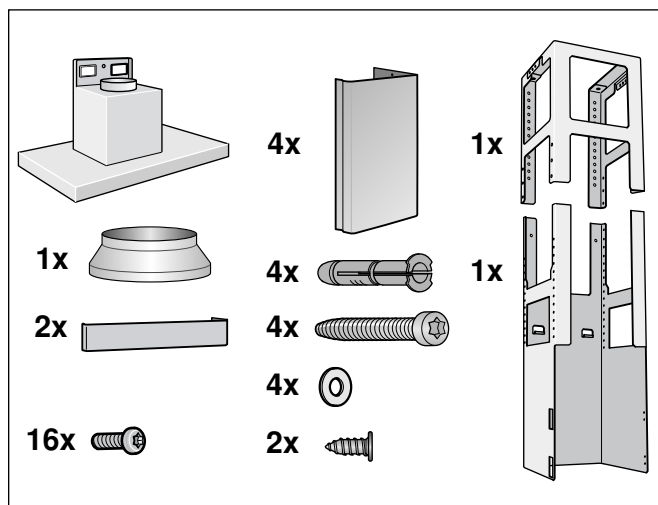
Este producto contiene una o más sustancias químicas que el estado de California sabe que provocan cáncer, defectos congénitos, u otro daño reproductivo.

Antes de empezar

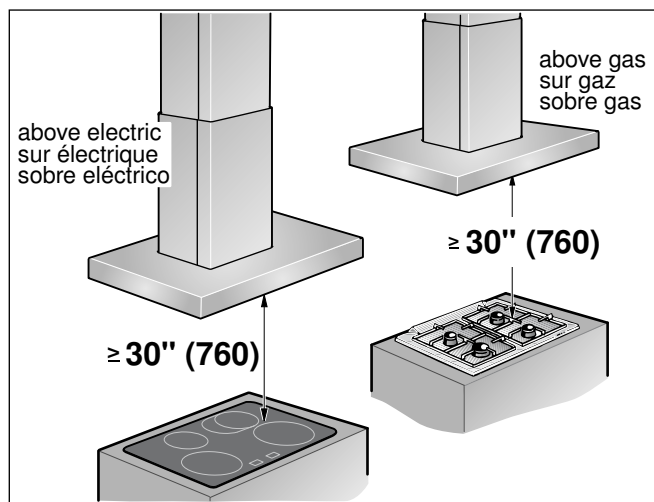
Herramientas y piezas necesarias

- Cinta métrica
- Lápiz
- Desarmador Phillips (Posidrive) #2
- Taladro con las siguientes brocas: 5/16" (8 mm)
- Nivel de burbuja
- Cinta de aluminio (NO usar cinta aislante)
- Conducto de salida de aire (la configuración depende de la situación de montaje).
- Además, tornillos para chapa (en caso de que sea necesario para la instalación del conducto de salida del aire)
- Sierra

Piezas incluidas



Dimensiones del equipo



- Este aparato se ha previsto para un montaje en el techo de la cocina o en un techo suspendido estable.
- Para accesorios especiales adicionales (p. ej., para el funcionamiento con recirculación de aire) se han de tener en cuenta las instrucciones de instalación correspondientes.
- Las superficies del aparato son sensibles. Evitar daños durante la instalación.

Distancias de seguridad

⚠ ADVERTENCIA

Riesgo de incendio

Los depósitos de grasa del filtro antigrasa pueden prenderse. Hay que respetar las distancias de seguridad estipuladas para evitar una condensación del calor. Se deben tener en cuenta las indicaciones del recipiente de cocción. Si se utilizan conjuntamente zonas de cocción de gas y eléctricas, aplicará la distancia indicada más grande.

Solo un lado del aparato debe instalarse directamente junto al gabinete en alto o pared. La distancia respecto a la pared o al gabinete en alto debe ser por lo menos de 2" (50 mm).

La distancia entre las superficies de apoyo sobre la placa de cocción y la parte inferior de la campana extractora no debe ser menor que 30" (760 mm), en caso de placas de cocción eléctricas, y 30" (760 mm), en caso de estufas de gas o combinadas.

Cuando las instrucciones de instalación de la estufa de gas establecen una distancia mayor, esta deberá tenerse en cuenta.

Información general

Funcionamiento con extracción de aire

⚠ ADVERTENCIA

¡Riesgo de muerte!

Los gases de combustión que se vuelven a aspirar pueden ocasionar intoxicaciones. La salida de aire no debe transmitirse ni a una chimenea de humos o gases de escape en servicio ni a un hueco que sirva como ventilación de los recintos de instalación de equipos calefactores. Si la salida de aire se va a evacuar en una chimenea de humos o gases de escape que no está en servicio, será necesario contar previamente con la aprobación correspondiente del técnico competente de la zona.

Si la salida de aire se evacua mediante la pared exterior, se deberá utilizar un pasamuros telescópico.

Conducto de escape

Nota: El fabricante no asume ninguna garantía por las reclamaciones debidas a la tubería.

- El equipo consigue su mejor funcionamiento con un tubo de escape corto, recto y con el diámetro del tubo lo más grande posible.
- Con tubos de escape largos, ásperos, con muchos dobleces, o tubería de diámetro menor a 5 ¹⁵/₁₆" (150 mm) no se alcanza la potencia de succión óptima y el ruido del ventilador es más alto.
- Las tuberías o los tubos para el tendido de la línea de escape deben hacerse de material no combustible.

Tubos redondos

Se recomienda un diámetro interior de 5 ¹⁵/₁₆" (150 mm), pero por lo menos de 4 ³/₄" (120 mm).

Canales planos

La sección transversal Interior debe coincidir con el diámetro de los tubos redondos.

Ø 5 ¹⁵/₁₆" (150 mm) aprox. 27 ½ sq in (177 cm²)

Ø 4 ³/₄" (120 mm) aprox. 17 ½ sq in (113 cm²)

- Los canales planos no deben tener curvas pronunciadas.
- Con diámetros de tubo diferentes utilice tiras de sellado.

Preparación del techo

- El techo debe ser plano, horizontal y tener suficiente capacidad de carga.
- La profundidad de los taladros debe ser equivalente a la longitud de los tornillos. Los taquetes deben quedar bien sujetos.
- Los tornillos y taquetes suministrados son apropiados para mampostería sólida. Para otro tipo de construcciones (p. ej., placas de yeso, concreto celular, ladrillos Poroton) se deberán utilizar medios de fijación apropiados.
- El peso máximo de la campana extractora es de **50 kg**.

Conexión eléctrica

⚠ ADVERTENCIA

Peligro de descarga eléctrica

Los componentes dentro del equipo pueden tener bordes filosos. Puede dañarse el cable de conexión. No retorcer ni constreñir el cable durante la instalación.

Los datos de conexión necesarios figuran en la etiqueta de características ubicada en el interior del aparato (para ello, desmontar el filtro de metal antigrasa).

Longitud del cable de conexión: aprox. 1.30 m

Este aparato cumple con las disposiciones en materia de supresión de interferencias de la CE.

⚠ ADVERTENCIA

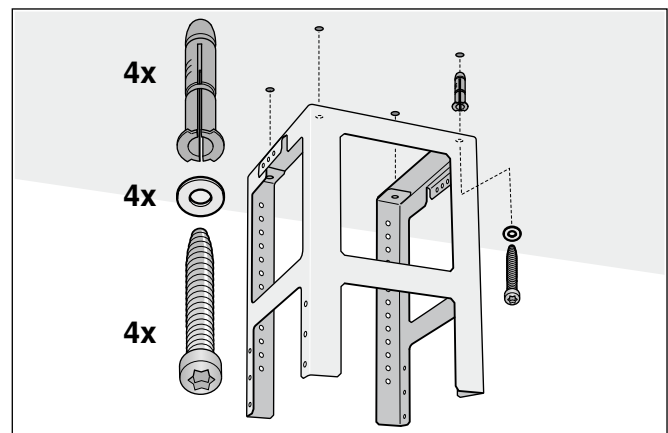
Riesgo de descarga eléctrica

Debe ser posible desenchufar el aparato de la red eléctrica en cualquier momento. El aparato solo podrá conectarse a una toma de corriente de instalación reglamentaria y provista de toma a tierra. Si una vez realizado el montaje del aparato, el enchufe no está suficientemente cerca o se necesita una conexión fija, la instalación debe contar con un dispositivo de separación omnipolar con una distancia de contacto mínima de 3 mm. Encomendar la ejecución de la conexión fija exclusivamente a personal electrotécnico.

Instalación

Montaje del bastidor de soporte superior

- 1 Antes del montaje, determinar la altura total del bastidor de soporte y marcar los agujeros roscados.
Nota: El bastidor de soporte es ajustable en altura en intervalos de $\frac{3}{4}$ " (20 mm).
- 2 Dibujar el punto central del aparato en el techo.
- 3 Dibujar las posiciones para los tornillos en el techo con ayuda de la plantilla suministrada.



- 4 Taladrar cuatro agujeros con un diámetro de $\frac{5}{16}$ " (8 mm) y una profundidad de perforación de $3 \frac{5}{32}$ " (80 mm) para las fijaciones y seguidamente introducir los taquetes de tal manera que queden al ras.
- 5 Fijar la parte superior del bastidor de soporte con 4 tornillos en el techo.

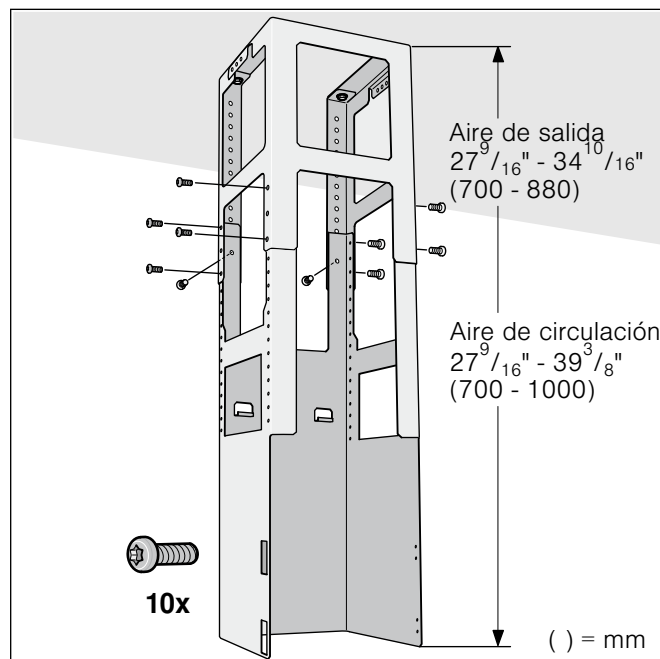
Nota: Cerciorarse de la posición correcta del bastidor de soporte. El estribo medio define el lado preferencial y debe mirar en dirección al elemento de control de la placa de cocción.

Montaje del bastidor de soporte inferior

Fijar la parte superior e inferior del bastidor de soporte a la altura total determinada con 10 tornillos.

Notas

- Cerciorarse de la posición correcta del bastidor de soporte inferior. El lado descubierto debe mirar en dirección a los elementos de control de la placa de cocción.
- Al aflojar los tornillos de fijación se puede alinear posteriormente el bastidor de soporte.

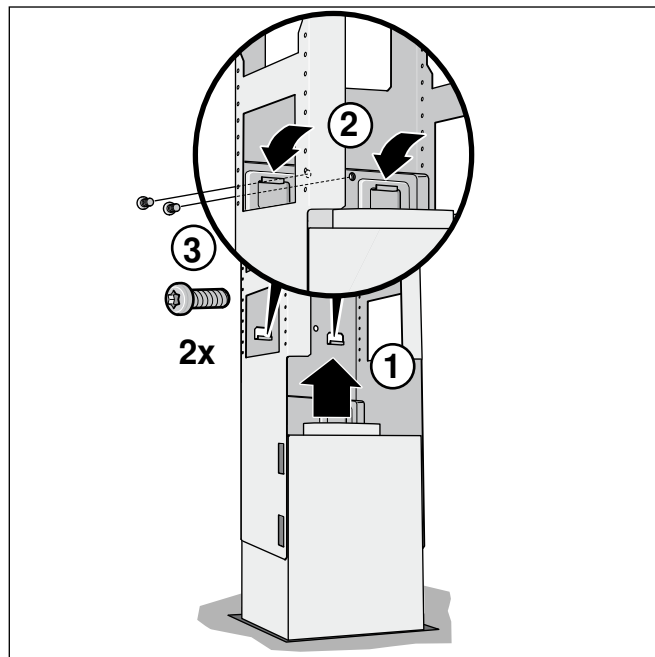


Montaje del aparato

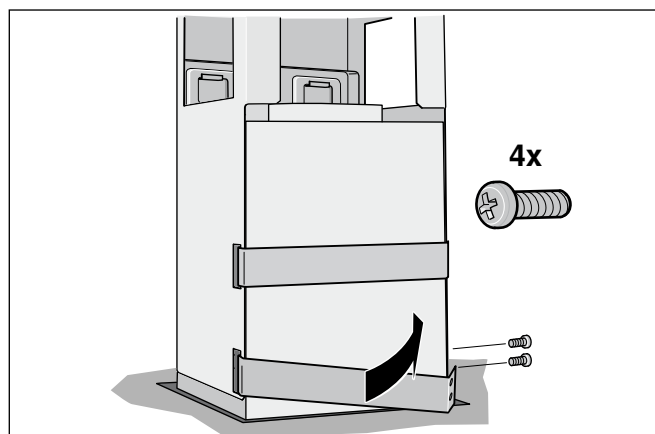
- 1 Colgar el aparato desde abajo en el bastidor de soporte.

Nota: Asegurarse de que el cable de red no quede aprisionado.

- 2 Fijar el aparato con 2 tornillos de seguridad en el bastidor de soporte.



- 3 Colgar el estribo de seguridad y atornillarlo.



Fijar las uniones del conducto

Nota: Si se utiliza un conducto de aluminio, pulir previamente la zona de conexión.

Conducto de salida de aire Ø 150 mm (tamaño recomendado)

Fijar y obturar el conducto de salida de aire directamente en la salida de aire de la campana.

Conducto de salida de aire Ø 120 mm

- 1 Fijar la pieza reductora directamente en la salida de aire de la campana.
- 2 Fijar el conducto de salida de aire en la pieza reductora.
- 3 Obturar convenientemente los dos puntos de unión.

Montar los revestimientos de la chimenea

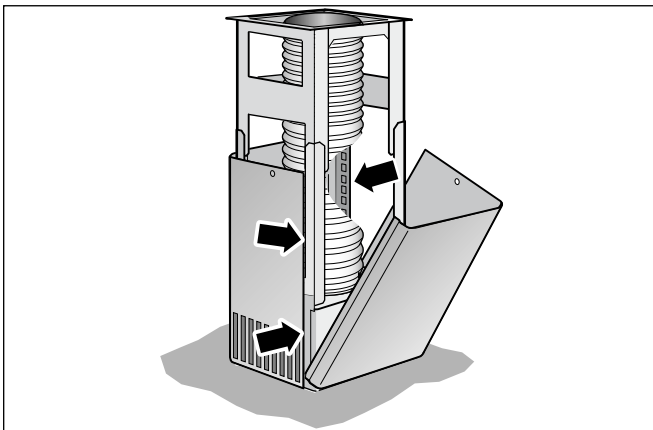
ADVERTENCIA

Riesgo de lesiones

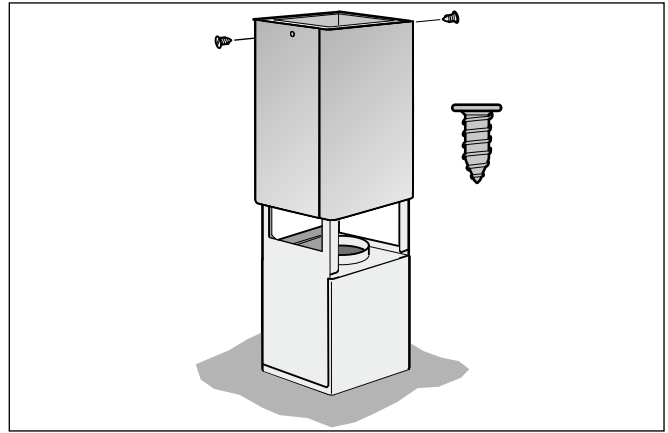
Existe riesgo de sufrir lesiones por bordes afilados durante la instalación. Utilizar siempre guantes de protección durante la instalación del aparato.

- 1 Retirar los revestimientos de la chimenea. Retirar para ello la cinta adhesiva.
- 2 Retirar la lámina protectora en ambos lados.
- 3 Colocar las dos partes de la chimenea superior en el aparato y unir las entre sí.

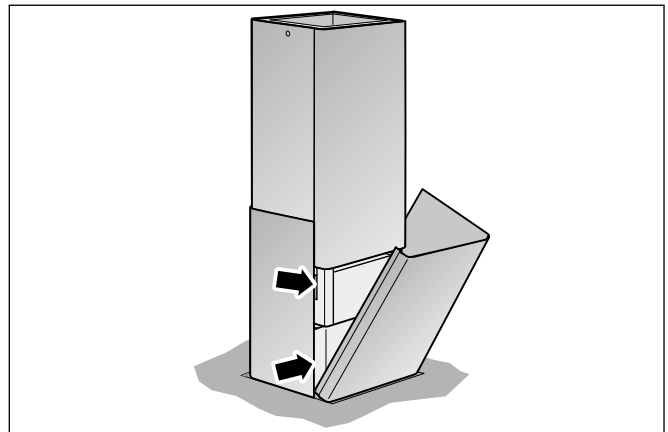
Nota: Las ranuras de la chimenea superior deben mirar hacia abajo.



- 4 Deslizar hacia arriba la parte superior de la chimenea y fijarla con 2 tornillos.



- 5 Colocar las dos piezas inferiores de la chimenea y unir las entre sí.



Desmontaje del aparato

- 1 Retirar el revestimiento de la chimenea.
- 2 Desconectar el aparato de la corriente.
- 3 Soltar los conductos del aire de salida.
- 4 Desatornillar los tornillos que fijan el aparato.
- 5 Extraer el aparato.

Gaggenau

BSH Home Appliances Ltd.
1901 Main Street, Suite 600
Irvine, CA 92614
+1.877.442.4436
USA
www.gaggenau-usa.com

Gaggenau Hausgeräte GmbH

Carl-Wery-Straße 34
81739 München
GERMANY

GAGGENAU



9000938154 en-us, es-mx, fr-ca (931203)