

## Gaggenau

Installation instructions.....	2
Instructions d'installation.....	14
Instrucciones de instalación.....	26

**BS 470/471 6..**

**BS 474/475 6..**

**BS 484/485 6..**

Combi-steam oven

Four combi-vapeur

Horno combinado de vapor

---

## Safety Definitions

---

---

### **WARNING**

This indicates that death or serious injuries may occur as a result of non-observance of this warning.

---

---

### **CAUTION**

This indicates that minor or moderate injuries may occur as a result of non-observance of this warning.

---

**NOTICE:** This indicates that damage to the appliance or property may occur as a result of non-compliance with this advisory.

**Note:** This alerts you to important information and/or tips.

# **IMPORTANT SAFETY INSTRUCTIONS**

READ AND SAVE THESE INSTRUCTIONS

## **IMPORTANT SAFEGUARDS**

### **SAVE THESE INSTRUCTIONS.**

---

#### **WARNING**

If the information in this manual is not followed exactly, fire or shock may result causing property damage or personal injury.

---

---

#### **WARNING**

Do not repair, replace or remove any part of the appliance unless specifically recommended in the manuals. Improper installation, service or maintenance can cause injury or property damage. Refer to this manual for guidance. All other servicing should be done by an authorized servicer.

---

### **State of California Proposition 65 Warnings**

---

#### **WARNING**

This product contains chemicals known to the State of California to cause cancer, birth defects or other reproductive harm.

---

### **Appliance Handling Safety**

Unit is heavy and requires at least two people or proper equipment to move.

Do not lift appliance by door handle.

Hidden surfaces may have sharp edges. Use caution when reaching behind or under appliance.

### **Safety Codes and Standards**

This appliance complies with the latest version of one or more of the following standards:

- CAN/CSA C22.2 No. 61 - Household Cooking Ranges
- UL 858 - Household Electric Ranges
- CAN/CSA C22.2 No. 150 - Microwave Ovens
- UL 923 - Microwave Cooking Appliances
- CSA C22.2 No. 64 - Household Cooking and Liquid-Heating Appliances
- UL 1026 - Electric Household Cooking and Food Serving Appliances

It is the responsibility of the owner and the installer to determine if additional requirements and/or standards apply to specific installations.

### **Electric Safety**

---

#### **WARNING**

Before you plug in an electrical cord or turn on power supply, make sure all controls are in the OFF position.

---

If required by the National Electrical Code (or Canadian Electrical Code), this appliance must be installed on a separate branch circuit.

Installer – show the owner the location of the circuit breaker or fuse. Mark it for easy reference.

**INSTALLER: LEAVE THESE INSTRUCTIONS WITH THE APPLIANCE AFTER INSTALLATION IS COMPLETE.**

**IMPORTANT: SAVE THESE INSTRUCTIONS FOR THE LOCAL ELECTRICAL INSPECTOR'S USE.**

Before installing, turn power OFF at the service panel. Lock service panel to prevent power from being turned ON accidentally.

Refer to data plate for more information. See “Data Plate” under “Service” for data plate location.

Be sure your appliance is properly installed and grounded by a qualified technician. Installation, electrical connections and grounding must comply with all applicable codes.

# **IMPORTANT SAFETY INSTRUCTIONS**

READ AND SAVE THESE INSTRUCTIONS

## **Related Equipment Safety**

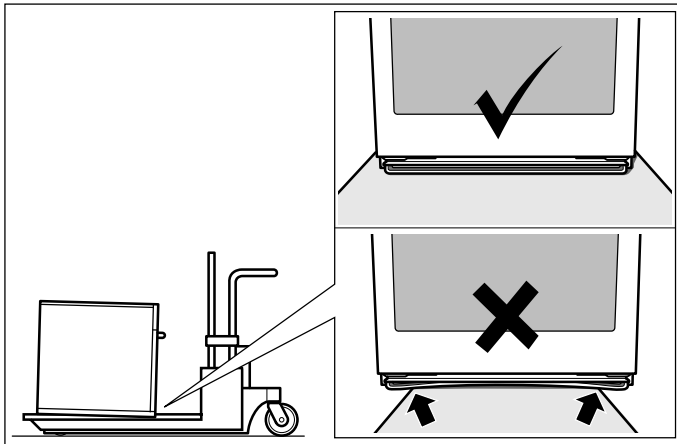
Remove all tape and packaging before using the appliance. Destroy the packaging after unpacking the appliance. Never allow children to play with packaging material

Never modify or alter the construction of the appliance. For example, do not remove leveling legs, panels, wire covers or anti-tip brackets/screws.

Before starting up the appliance, remove any packaging material and adhesive film from the cooking compartment and the door.

## **Transport**

To avoid damage to the oven vent, use the transport method shown in the picture below.



---

## Before you begin

---

### Tools and parts needed

- Philips head screwdriver
- 1/8" drill bit and drill
- Measuring tape

### Parts included

- Combi-steam oven
- 1 Torx screw

### Power Requirements

The outlet must be properly grounded in accordance with all applicable codes.

### Planning notes

Door hinge not interchangeable.

Distance from furniture body to door front 1.85" (47 mm).

Distance from furniture body to outer edge of door handle 3.7" (94 mm) after retrofitting the handle (special accessory).

Pay attention to the front protrusion, possibly including the door handle, for opening drawers at the sides.

When planning a corner solution, pay attention to the door opening angle of at least 90°.

No other electrical appliance may be integrated into the cupboard above this appliance.

Do not install the appliance version with the control panel on the bottom above a dishwasher. Ascending steam from the dishwasher can damage the appliance electronics.

#### You can order the following installation accessories

- GZ 010 011: Extension of the supply and drain hose (length 6.6 ft / 2 m)
- GF 111 700: Descaling system

Provide the descaling system when connecting the appliance if the water hardness exceeds 7 dh in order to reduce the calcification of the appliance.

---

## Preparing kitchen units

---

Units into which ovens are to be fitted must be heat-resistant up to 195°F (90°C) and adjacent cabinets up to 160°F (70°C).

Connection box must be outside of the installation niche.

Perform cut-out work on the furniture before inserting the appliance. Remove any shavings or the function of the electrical components may be impaired.

Secure freestanding units to the wall using a standard bracket.

Only fit the appliance up to a height that allows accessories to be removed easily.

## Dimensions and Cabinet Requirements

### General Cabinet Requirements

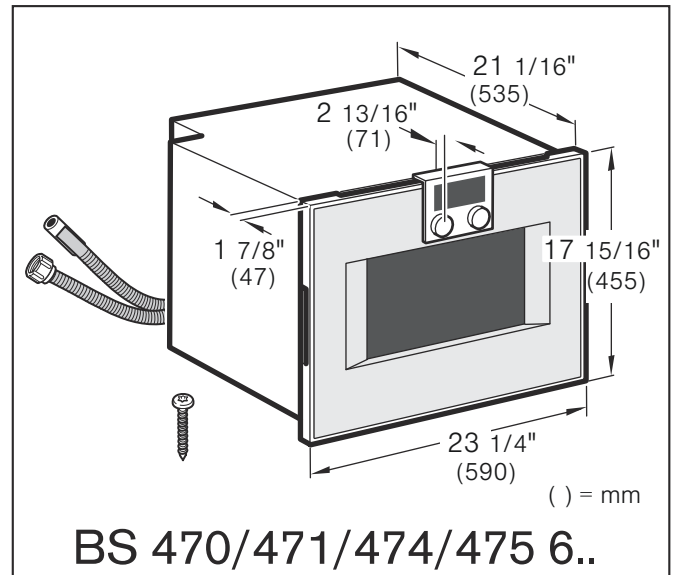
Cabinet requirements vary depending on the model to be installed. Please consult the section **Dimensions** for the details pertaining to your particular model.

All models require:

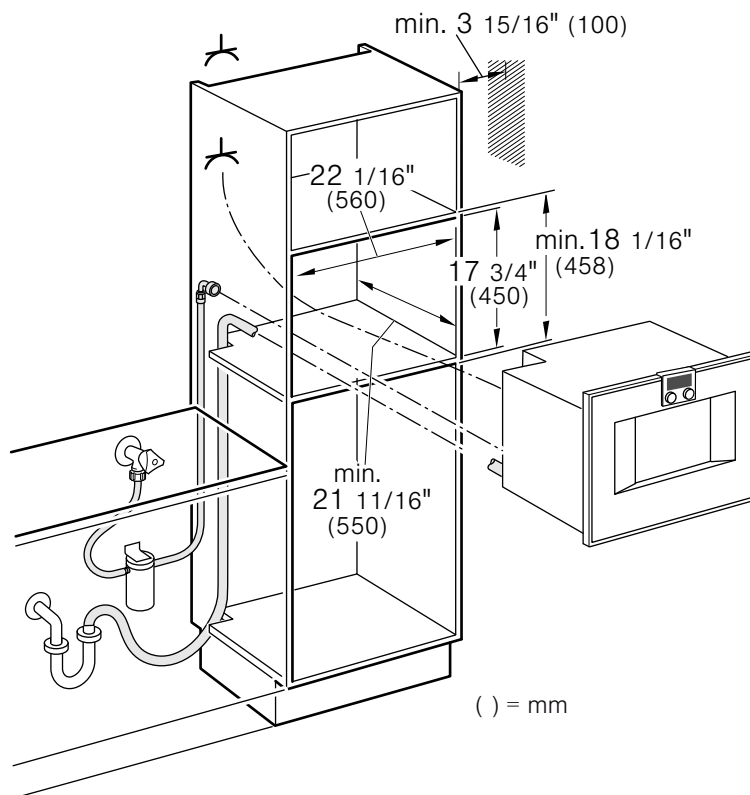
- 1/4" (6.4 mm) space between the side of the appliance and an adjacent wall or cabinet door when installed at the end of a cabinet run.
- The cabinet base must be flat and capable of supporting the weight of your appliance when in use. See the appropriate weight for your model in the **Dimensions** section pertaining to your particular model.

## Dimensions for 24" Wall-Mounted Units

### Appliance Dimensions



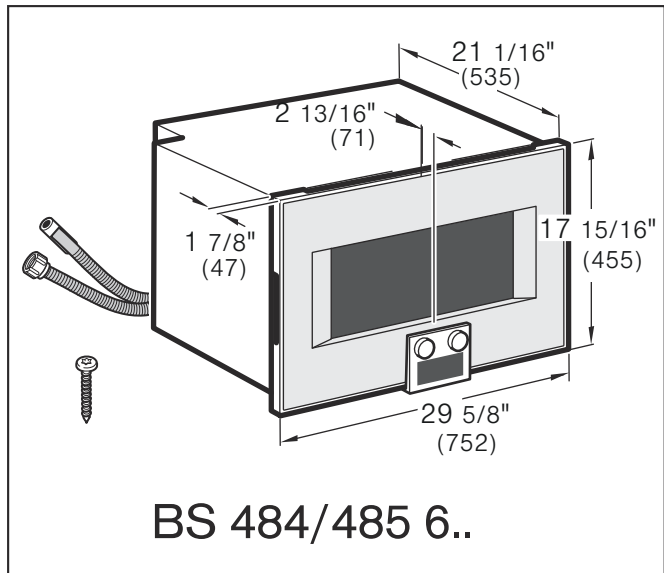
### Cabinet Dimensions



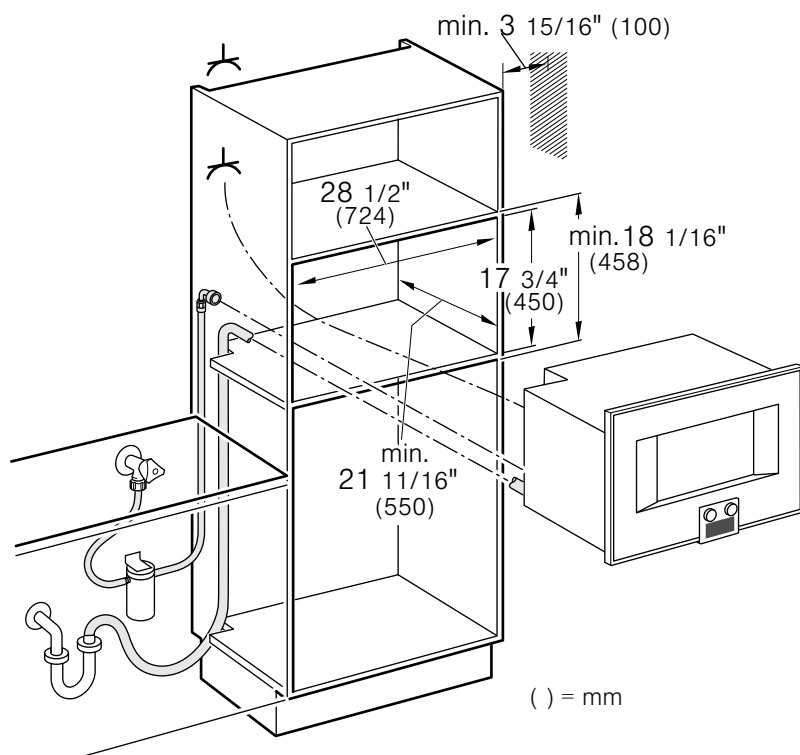
**NOTICE:** The cabinet base must be flat and capable of supporting a weight of at least 102 lbs (46 kg).

# Dimensions for 30" Wall-Mounted Units

## Appliance Dimensions



## Cabinet Dimensions



**NOTICE:** The cabinet base must be flat and capable of supporting a weight of at least 115 lbs (52.1 kg).

---

## Removing Packaging

---

**NOTICE:** To prevent damage to your floor keep the unit in its packaging base until ready to be placed in the cabinet opening. Do not slide the unit across the flooring.

Different models use different packaging materials. Actual brackets may look differently. Bracket remains in packaging base.

- 1 Cut straps on outside of box.
- 2 Remove cardboard box.
- 3 Remove all top and side cardboard and Styrofoam braces.
- 4 Place oven in front of cabinets where it is to be installed.

---

## Water connection

---

The appliance is backflow-proof (DVGW tested). Connection valves with backflow preventers are not required. Follow the regulations of the local water utility.

Install a suitable descaling system in front of the appliance if the water hardness exceeds 7 dH. We recommend the GF 111 100 descaling system (available as a special accessory).

### **Only connect the appliance to a cold-water connection:**

- Connection ¾" (26.4 mm)
- Water pressure 2-10 bar
- min. 2.6 gal (10 liters)/minute

### **Notes**

- Mount the supply hose on the appliance with the terminal bracket. **Tighten the plastic union nut only by hand!**
- The water connection for the supply hose must always be accessible (not directly behind the appliance).



---

## Waste water connection

---

Provide for an odor trap on the drain connection. The connection on the odor trap must always be accessible (not directly behind the appliance).

### Important notes on the drain hose

- Do not fit the drain hose at any point higher than the bottom edge of the appliance
- Drain: at least  $\varnothing 1.6''$  (40 mm) inner diameter
- Drain connection: at least 4'' (100 mm) lower than the appliance drain
- Do not kink the drain hose
- Do not shorten the included drain hose
- Drain hose: no more than 5.5 yards (5 m) long
- Remove the transport lock from the drain hose (metal clip) on the rear of the appliance

---

## Install Appliance

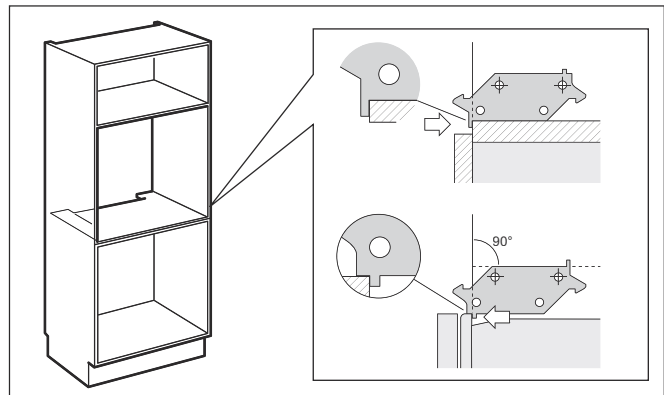
---

**Note:** The appliance is heavy. It is advisable to install it with a second person.

**NOTICE:** Before installing the appliance, be sure to verify the cabinet dimensions and electrical connections.

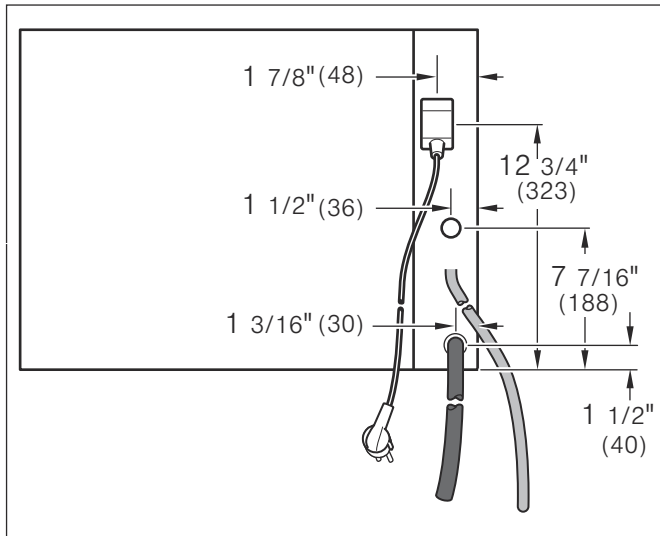
### Mount to Cabinet

Use the included retaining plate and two screws to fasten on the side bottom of the hinge side in the installation cabinet. Mark the screw midpoint, the retaining plate must be positioned precisely. Depending on the installation situation, on partition floor or heating drawer WS4..., turn the retaining plate by 180°. When pushed into the cupboard, the appliance snaps into the retaining plate.

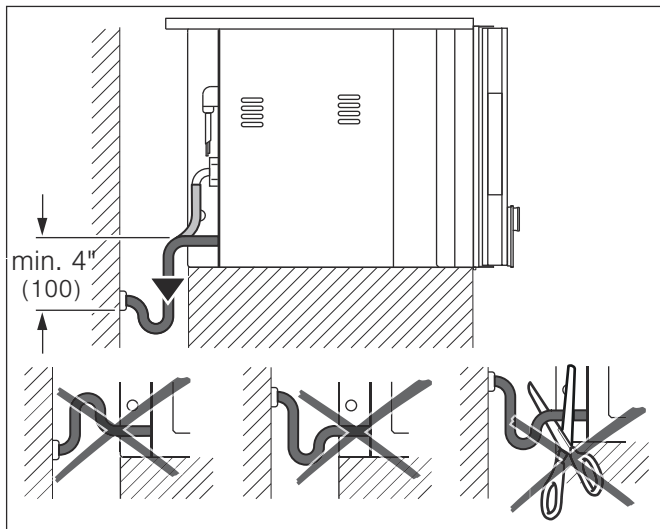


Secure the appliance against tilting in the cupboard if there is not intermediate shelf above the appliance: fasten two commercially available brackets on both sides inside the cupboard (at  $17 \frac{3}{4}''$  (450 mm) deep,  $\frac{3}{16}''$  (5 mm) above appliance height).

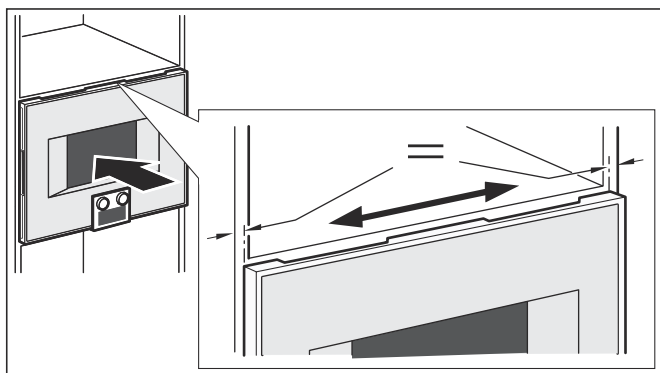
- 1 Push the appliance fully into the kitchen unit. Route the Combi-steam oven's connecting cable and supply and drain water hoses to the connection points on the rear left in the kitchen unit.



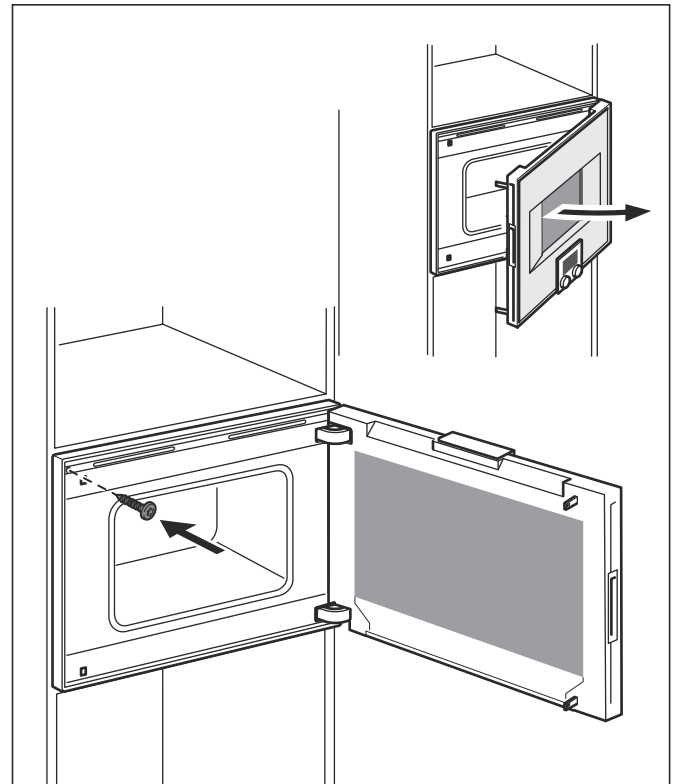
Do not kink or jam connecting cables and hoses or route them over sharp edges.



- 2 Align the appliance in the center. An air gap of  $\frac{3}{16}$ " (5 mm) is required between the appliance and adjoining furniture frontages.

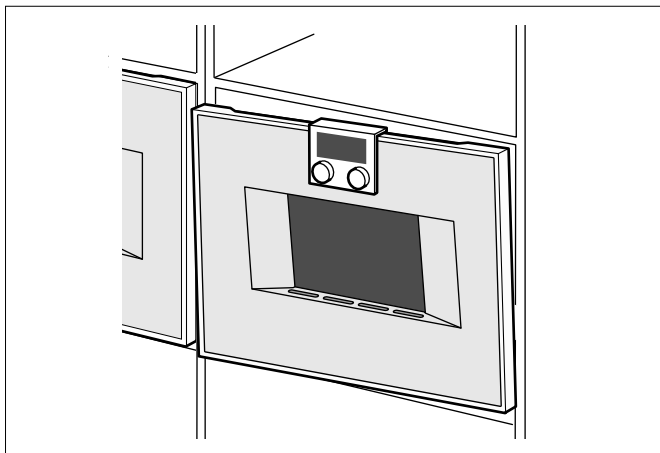


- 3 Use a spirit level to align the appliance exactly horizontally.
- 4 Fasten the appliance with the included screw. Remove transportation lock from the door.

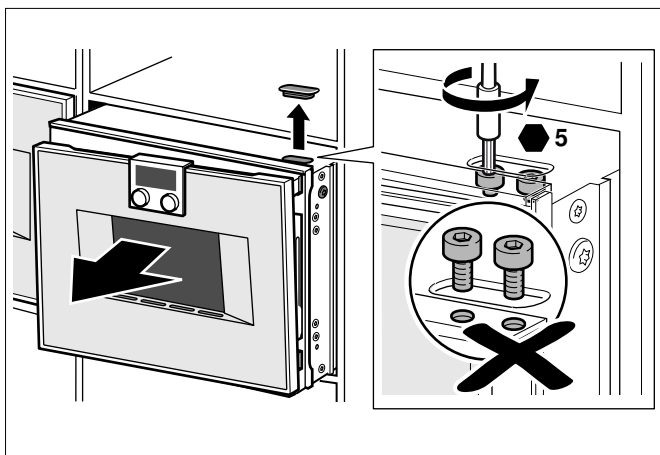


## Adjusting the door

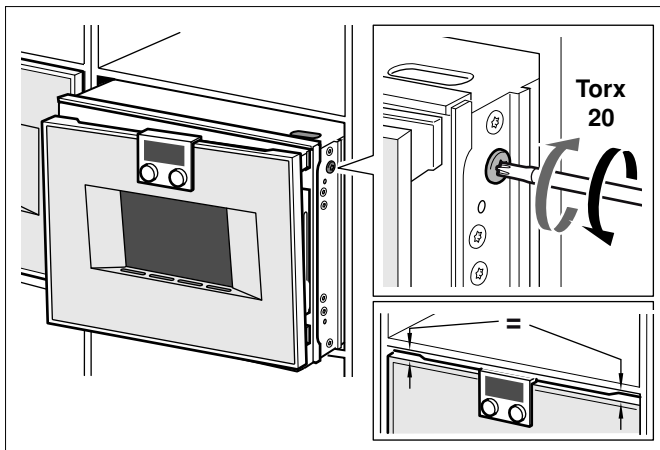
For precise alignment, the appliance door can be easily adjusted.



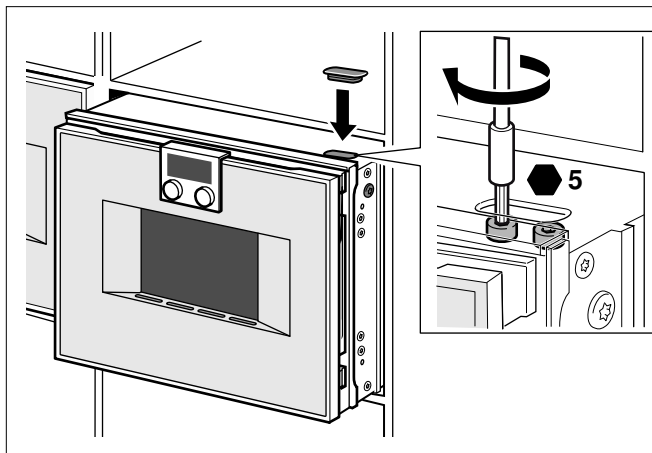
For this purpose, slightly pull out the appliance from the built-in cut-out. At the top of the appliance there is an oval opening located on the hinge side. Remove the cover cap. Slightly loosen both screws (Inbus 5 mm), but do not remove them!



Align the door via the lateral screw (Torx 20).



Tighten both screws (Inbus 5 mm) again. Attach the cover cap again.



### Notes

- The alignment of the appliance door can be adjusted via the upper hinge, in order to achieve a precise gap size of the top edge of the door to the upper air output.
- The height of the door cannot be adjusted.
- The device door is already aligned when the appliance is delivered. You do not normally need to align the door.

## Three wire connection

### BO 450/451-610

- 1 Connect red wire from oven to red electrical supply wire (hot wire).
- 2 Connect black wire from oven to black electrical supply wire (hot wire).
- 3 Connect yellow/green ground oven wire to bare ground electrical supply wire.

Attach flexible conduit to the junction box.

To facilitate serviceability, the flex conduit must not be shortened and should be routed to allow for temporary removal of the oven.

## Combination with an oven

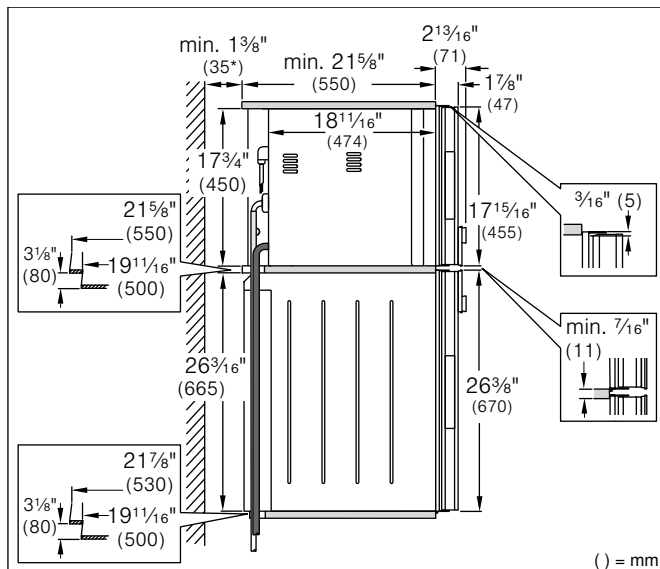
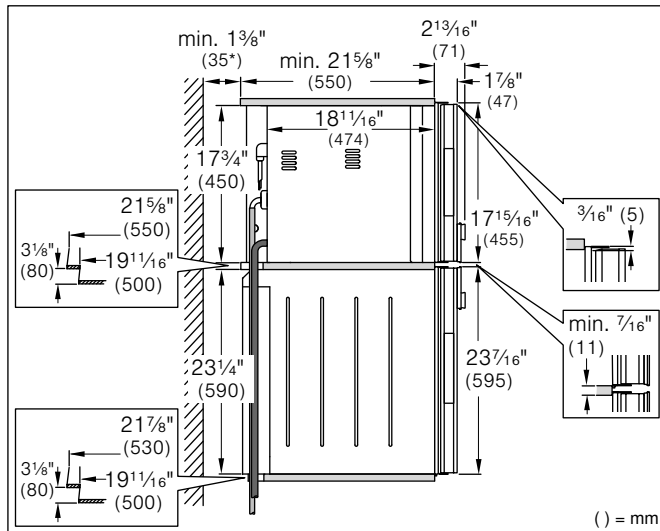
In the case of the BS 474/475 and BS 484/485 appliance versions, the control panel is at the bottom. As a result, these models are particularly suitable for installation over a Gaggenau Series BO 4.. oven.

Fit the Combi-steam oven first and then the oven.

For an installation depth of  $21 \frac{5}{8}$ " (550 mm), position the water hoses and the connecting cable in the area of the housing cut-out.

The rear of the BO 4.. ovens has a bevelled corner. Route the Combi-steam oven's connecting cable and supply and drain water hoses downwards to the connection points on the rear left in the kitchen unit.

If the hoses are not routed in the corner on the rear left in the kitchen unit, when installing the appliance over an oven the kitchen unit's body must be pulled forward by at least  $1 \frac{3}{8}$ " (35 mm) and side paneling or a trim must be inserted.



## Combination with warming drawer, width 24" (60 cm)

Fit the warming drawer first. Pay attention to the warming drawer's installation instructions.

Slide the oven onto the warming drawer and into the built-in cabinet. When sliding it in, do not damage the warming drawer's panel.

## Combination with warming drawer, width 30" (76 cm)

Installation BO/BS (width 30" (76 cm)) over warming drawer WS only with dimensionally stable partition floor.

## Check the Installation

### ⚠ WARNING

Before you plug in an electrical cord or turn on power supply, make sure all controls are in the OFF position.

Switch on the circuit breaker.

Verify that elements function properly.

## Removal

- 1 Disconnect the appliance from the power supply.
- 2 Undo the fastening screws.
- 3 Raise the appliance slightly and pull it out completely.

---

## Customer service

---

If your appliance needs repairs, our customer service is there for you. We work hard to help solve problems quickly and without unnecessary service calls, getting your appliance back up and running correctly in the least amount of time possible.

When you call, please indicate the product number (E-Nr.) and serial number (FD-Nr.) so that we can support you in a qualified manner. You will find the type plate with these numbers on the bottom of the appliance. To avoid having to search for a long time when you need it, you can enter your appliance data and the customer support telephone number here.

---

E-Nr.

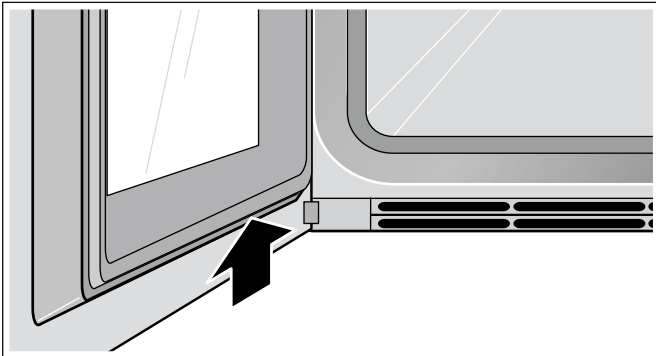
FD-Nr.

---

Customer Service ☎

---

Please read the use and care instructions provided with your appliance. Failure to do so may result in an error in using the appliance. This could result in a service call that instead of fixing a mechanical issue is only needed for customer education. Such calls are not covered by the appliance warranty.



Please find the contact data of all countries in the enclosed customer service list.

### To book an engineer visit and product advice

**USA** 877 442 4436  
toll-free

**CANADA** 877 442 4436  
toll-free

You can rely on the manufacturer's expertise. Rest assured that the repair will be handled by trained service technicians who have the original replacement parts for your appliance.



**Gaggenau**

BSH Home Appliance Corporation

1901 Main Street, Suite 600

Irvine, CA 92614

+1.877.442.4436

USA

[www.gaggenau-usa.com](http://www.gaggenau-usa.com)

© 2016 BSH Home Appliances

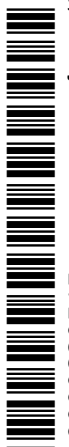
**Gaggenau Hausgeräte GmbH**

Carl-Wery-Straße 34

81739 München

GERMANY

**GAGGENAU**



9000880515 en-us, es-mx, fr-ca (960707)