

Gaggenau

Installation instructions.....2
Notice de montage10
Instrucciones de instalación.....18

BSP 250/251 610

Combi-steam oven
Four combi-vapeur
Horno combinado de vapor

Safety Definitions

WARNING

This indicates that death or serious injuries may occur as a result of non-observance of this warning.

CAUTION

This indicates that minor or moderate injuries may occur as a result of non-observance of this warning.

NOTICE: This indicates that damage to the appliance or property may occur as a result of non-compliance with this advisory.

Note: This alerts you to important information and/or tips.

IMPORTANT SAFETY INSTRUCTIONS

READ AND SAVE THESE INSTRUCTIONS

IMPORTANT SAFEGUARDS

SAVE THESE INSTRUCTIONS.

WARNING

If the information in this manual is not followed exactly, fire or shock may result causing property damage or personal injury.

WARNING

Do not repair, replace or remove any part of the appliance unless specifically recommended in the manuals. Improper installation, service or maintenance can cause injury or property damage. Refer to this manual for guidance. All other servicing should be done by an authorized servicer.

Proposition 65 Warning:

This product may contain a chemical known to the State of California, which can cause cancer or reproductive harm. Therefore, the packaging of your product may bear the following label as required by California:

STATE OF CALIFORNIA PROPOSITION 65 WARNING:

 **WARNING**

Cancer and Reproductive Harm - www.P65Warnings.ca.gov

Appliance Handling Safety

Unit is heavy and requires at least two people or proper equipment to move.

Do not lift appliance by door handle.

Hidden surfaces may have sharp edges. Use caution when reaching behind or under appliance.

Safety Codes and Standards

This appliance complies with the latest version of one or more of the following standards:

- CAN/CSA C22.2 No. 61 - Household Cooking Ranges
- UL 858 - Household Electric Ranges
- CAN/CSA C22.2 No. 150 - Microwave Ovens
- UL 923 - Microwave Cooking Appliances
- CSA C22.2 No. 64 - Household Cooking and Liquid-Heating Appliances
- UL 1026 - Electric Household Cooking and Food Serving Appliances

It is the responsibility of the owner and the installer to determine if additional requirements and/or standards apply to specific installations.

Electric Safety

WARNING

Before you plug in an electrical cord or turn on power supply, make sure all controls are in the OFF position.

If required by the National Electrical Code (or Canadian Electrical Code), this appliance must be installed on a separate branch circuit.

Installer – show the owner the location of the circuit breaker or fuse. Mark it for easy reference.

INSTALLER: LEAVE THESE INSTRUCTIONS WITH THE APPLIANCE AFTER INSTALLATION IS COMPLETE.

IMPORTANT: SAVE THESE INSTRUCTIONS FOR THE LOCAL ELECTRICAL INSPECTOR'S USE.

Before installing, turn power OFF at the service panel. Lock service panel to prevent power from being turned ON accidentally.

Refer to data plate for more information. See “Data Plate” under “Service” for data plate location.

Be sure your appliance is properly installed and grounded by a qualified technician. Installation, electrical connections and grounding must comply with all applicable codes.

IMPORTANT SAFETY INSTRUCTIONS

READ AND SAVE THESE INSTRUCTIONS

Related Equipment Safety

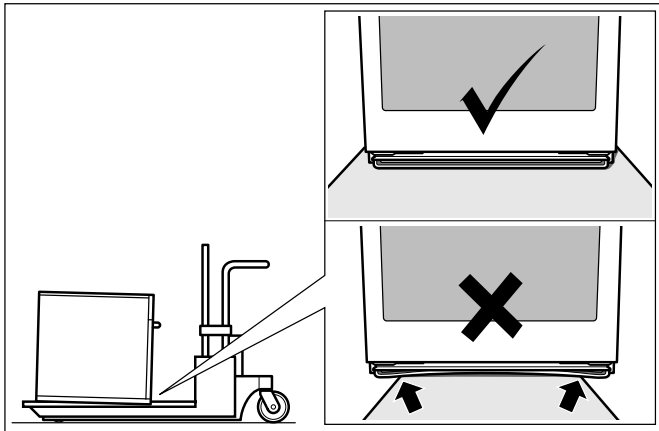
Remove all tape and packaging before using the appliance. Destroy the packaging after unpacking the appliance. Never allow children to play with packaging material

Never modify or alter the construction of the appliance. For example, do not remove leveling legs, panels, wire covers or anti-tip brackets/screws.

Before starting up the appliance, remove any packaging material and adhesive film from the cooking compartment and the door.

Transport

To avoid damage to the oven vent, use the transport method shown in the picture below.



Before you begin

Tools and parts needed

- Philips head screwdriver
- 1/8" drill bit and drill
- Measuring tape

Parts included

- Combi-steam oven
- 3 Torx screws

Power Requirements

The outlet must be properly grounded in accordance with all applicable codes.

Planning notes

Door hinge not interchangeable.

Distance from furniture body to door front 1.85" (47 mm).

Distance from furniture body to outer edge of door handle 3.7" (94 mm) after retrofitting the handle (special accessory).

Pay attention to the front protrusion, possibly including the door handle, for opening drawers at the sides.

When planning a corner solution, pay attention to the door opening angle of at least 90°.

Preparing Kitchen Units

Units into which ovens are to be fitted must be heat-resistant up to 195°F (90°C) and adjacent cabinets up to 160°F (70°C).

Connection box must be outside of the installation niche.

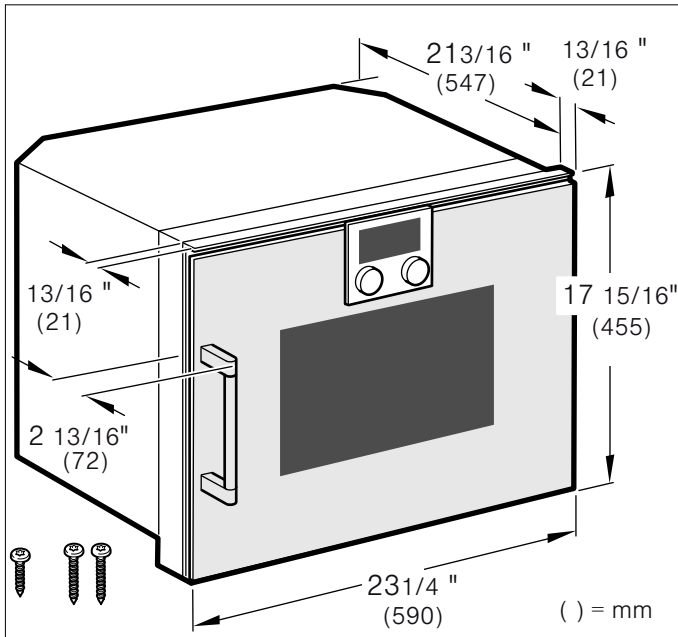
Perform cut-out work on the furniture before inserting the appliance. Remove any shavings or the function of the electrical components may be impaired.

Secure freestanding units to the wall using a standard bracket.

Only fit the appliance up to a height that allows accessories to be removed easily.

Dimensions and Cabinet Requirements

Appliance Dimensions



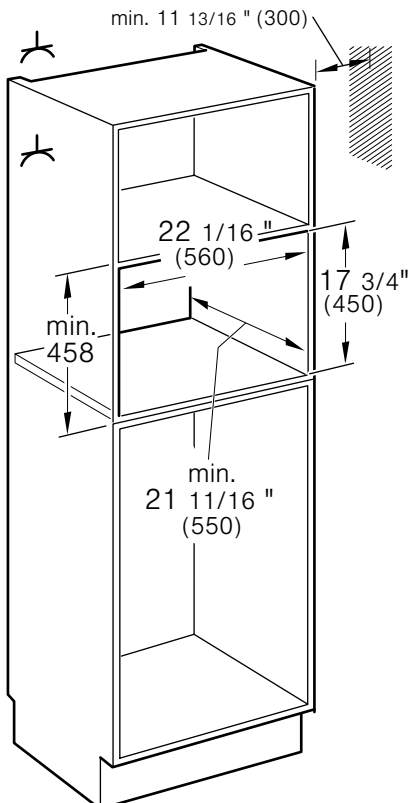
Removing Packaging

NOTICE: To prevent damage to your floor keep the unit in its packaging base until ready to be placed in the cabinet opening. Do not slide the unit across the flooring.

Different models use different packaging materials. Actual brackets may look differently. Bracket remains in packaging base.

- 1 Cut straps on outside of box.
- 2 Remove cardboard box.
- 3 Remove all top and side cardboard and Styrofoam braces.
- 4 Place oven in front of cabinets where it is to be installed.

Cabinet Dimensions



NOTICE: The cabinet base must be flat and capable of supporting a weight of at least 142 lbs (64.1 kg).

Install Appliance

Note: The appliance is heavy. It is advisable to install it with a second person.

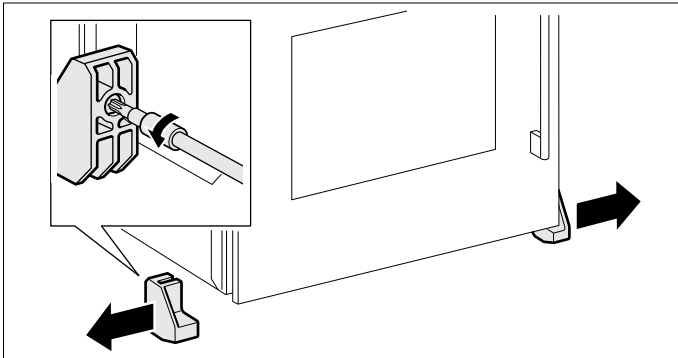
NOTICE: Before installing the appliance, be sure to verify the cabinet dimensions and electrical connections.

Mount to Cabinet

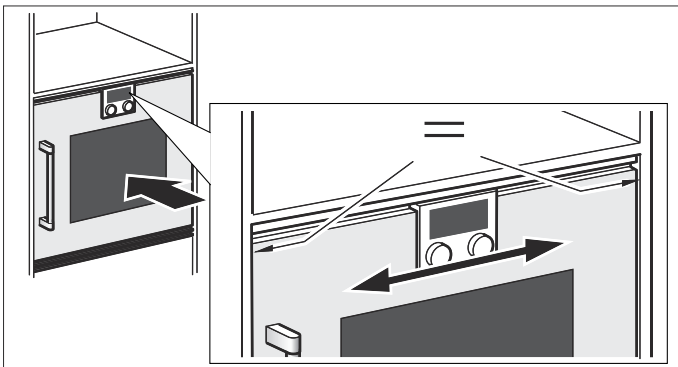
Notes

- When installing two appliances side-by-side, the door handles must be in the center.
- If there is no fitted shelf above the appliance, secure the appliance against tipping over when the door is opened. Fit two standard angles $\frac{3}{16}$ " (5 mm) above the appliance at $17\frac{3}{4}$ " (450 mm) depth inside the cabinet.

- 1 Before installation, remove the transportation locks which are fitted on both sides of the door. Loosen the screws on the back and remove the transportation locks.



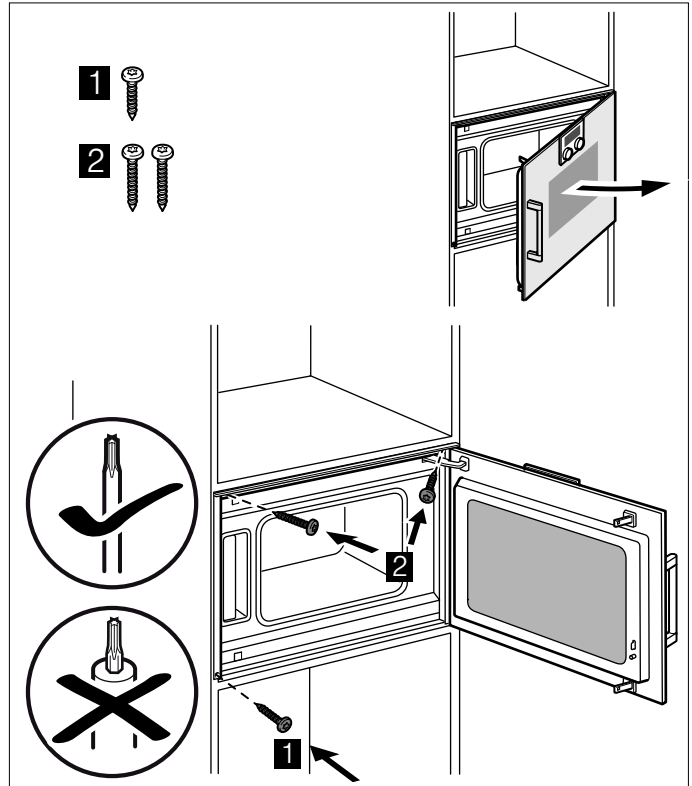
- 2 Do not kink or trap the connecting cable, or route it over sharp edges.
- 3 Centre the appliance. There must be an air gap of $\frac{3}{16}$ " (5 mm) between the appliance and adjacent cabinets.



- 4 Using a spirit level, adjust the appliance so that it is perfectly level.

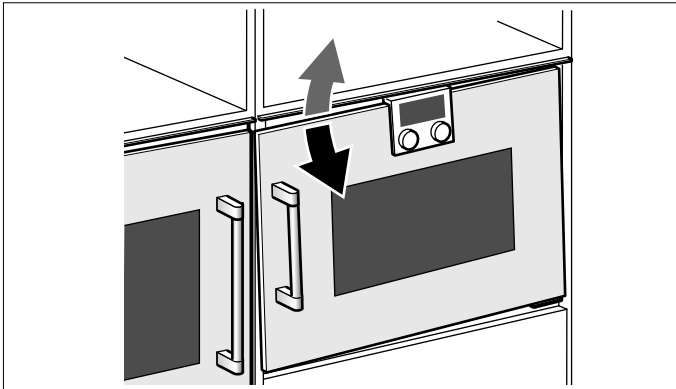
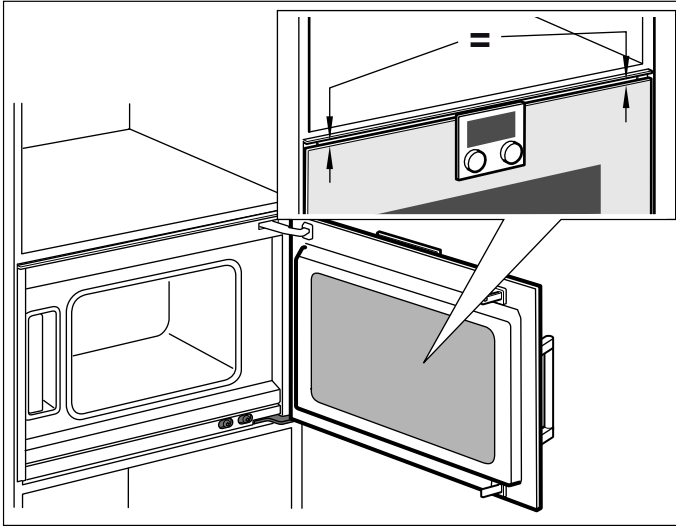
- 5 Center the appliance and fix to cabinet with lower screws. Then fit both top screws. Remove the transportation lock from the door.

NOTICE: Use a suitable screwdriver. Be careful not to scratch the faceplate!



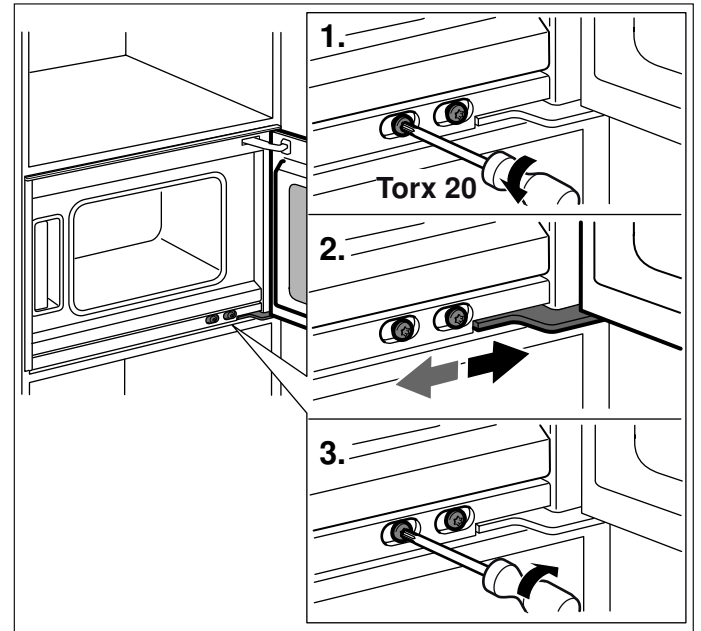
Adjusting the door

For precise alignment, the appliance door can be slightly adjusted.



To align the door:

- 1 Open the door and slightly loosen both screws at the lower door hinge.
- 2 Align the door.
- 3 Tighten both screws again.



Note: The device door is already aligned when the appliance is delivered. You do not normally need to align the door.

Three wire connection

- 1 Connect red wire from oven to red electrical supply wire (hot wire).
- 2 Connect black wire from oven to black electrical supply wire (hot wire).
- 3 Connect yellow/green ground oven wire to bare ground electrical supply wire.

Attach flexible conduit to the junction box.

To facilitate serviceability, the flex conduit must not be shortened and should be routed to allow for temporary removal of the oven.

Combination with warming drawer

Fit the warming drawer first. Pay attention to the warming drawer's installation instructions.

Slide the oven onto the warming drawer and into the built-in cabinet. When sliding it in, do not damage the warming drawer's panel.

Check the Installation

⚠ WARNING

Before you plug in an electrical cord or turn on power supply, make sure all controls are in the OFF position.

Switch on the circuit breaker.

Verify that elements function properly.

Removal

- 1 Disconnect the appliance from the power supply.
- 2 Undo the fastening screws.
- 3 Raise the appliance slightly and pull it out completely.

Customer service

If your appliance needs repairs, our customer service is there for you. We work hard to help solve problems quickly and without unnecessary service calls, getting your appliance back up and running correctly in the least amount of time possible.

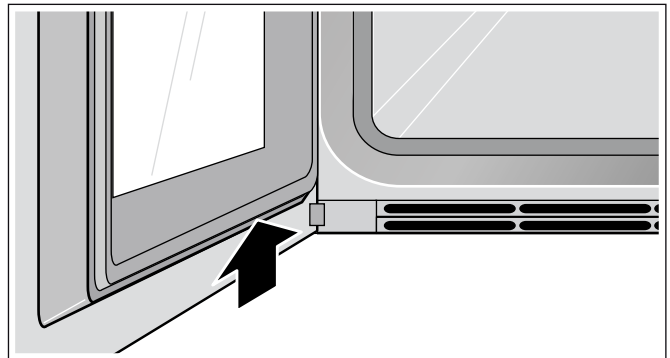
When you call, please indicate the product number (E-Nr.) and serial number (FD-Nr.) so that we can support you in a qualified manner. You will find the type plate with these numbers on the bottom of the appliance. To avoid having to search for a long time when you need it, you can enter your appliance data and the customer support telephone number here.

E-Nr.

FD-Nr.

Customer Service ☎

Please read the use and care instructions provided with your appliance. Failure to do so may result in an error in using the appliance. This could result in a service call that instead of fixing a mechanical issue is only needed for customer education. Such calls are not covered by the appliance warranty.



Please find the contact data of all countries in the enclosed customer service list.

To book a service visit and product advice

USA 877 442 4436
toll-free

CANADA 877 442 4436
toll-free