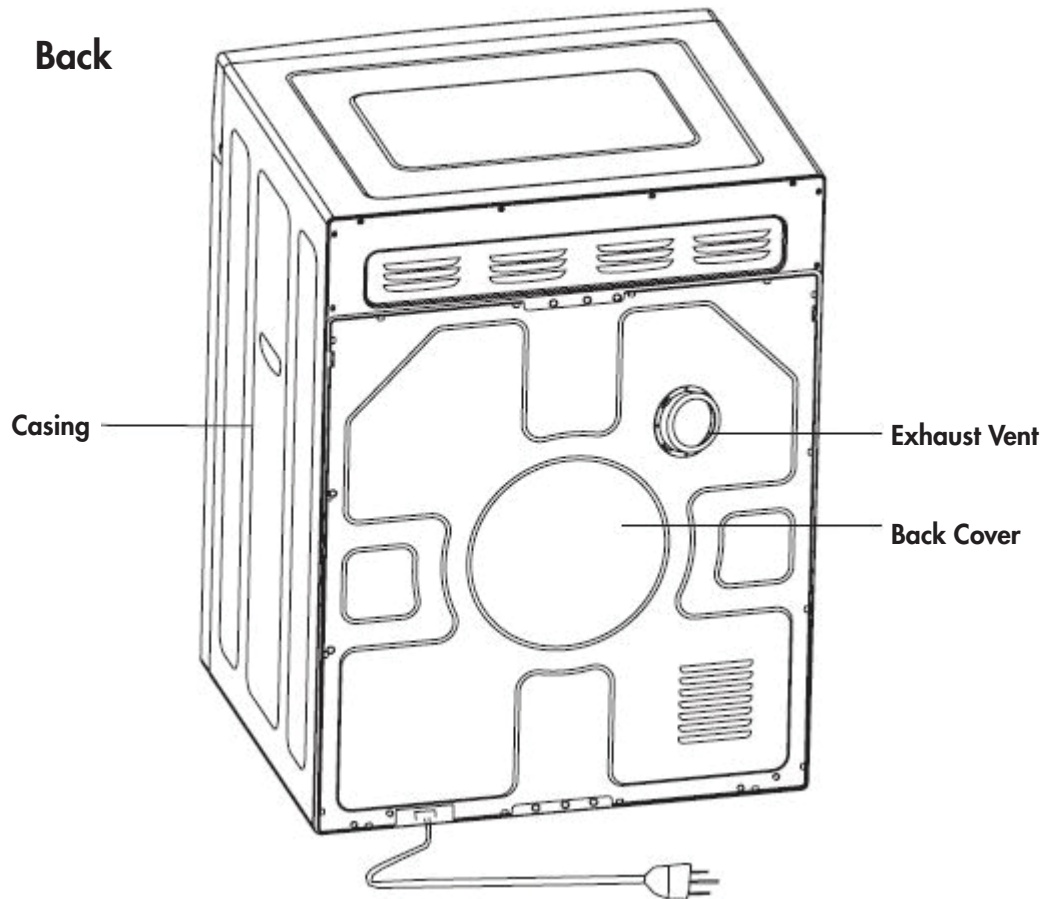
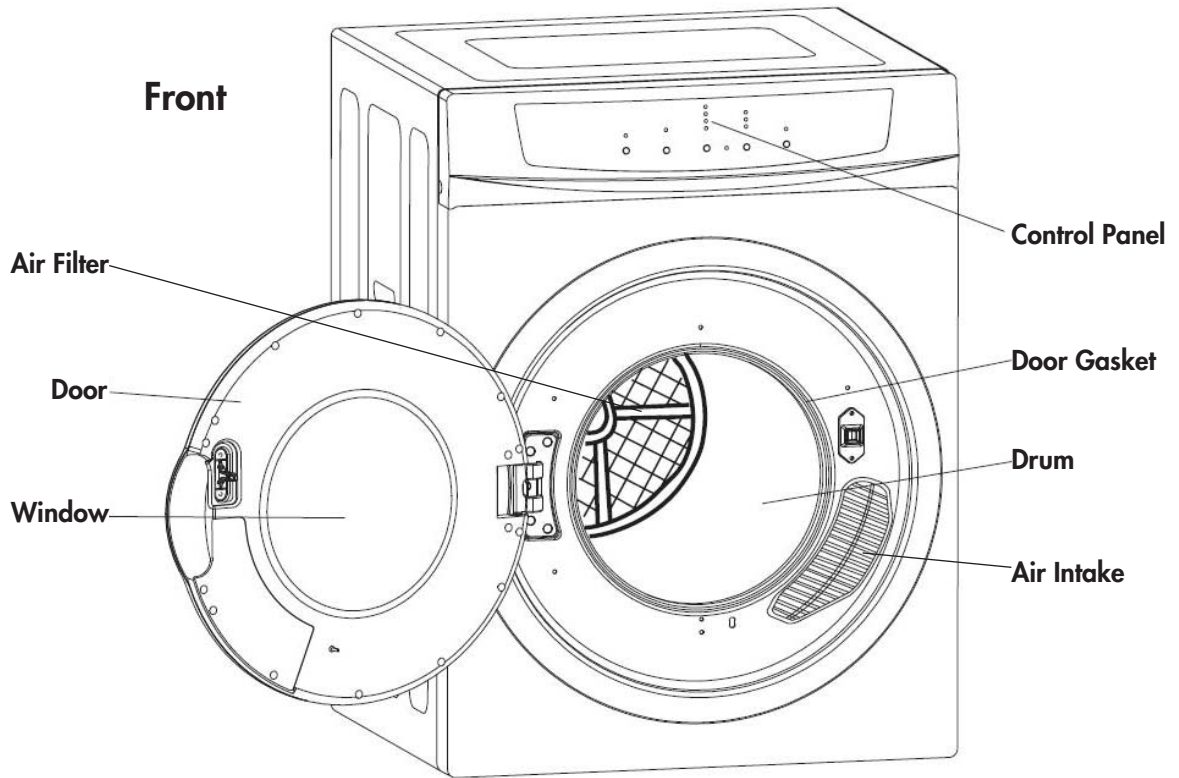


INSTALLATION INSTRUCTIONS

FEATURES



INSTALLATION INSTRUCTIONS

LOCATION





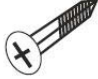
Before you install the dryer, select a location with the following characteristics:

- A hard, level surface. Do not place the dryer on carpeted floor.
- Away from direct sunlight. Direct sunlight may affect the acrylic coating, plastic and electrical components.
- Adequate ventilation. Ventilation openings must not be obstructed.
- Away from sources of heat such as fireplaces or stoves.
- Make sure that the dryer does not stand on its power cord.
- There must be at least 10 cm (4 inches) of space between the the dryer and any adjacent wall.

WALL MOUNTING KIT

A wall mounting kit is included with the unit so that the unit can be secured to the wall if necessary. We recommend using two people to complete the installation as the dryer can be heavy.

The wall mounting kit includes:

| Description | Image | Quantity |
|-------------------|---|----------|
| Hanging brackets |  | 2 |
| Plastic spacers |  | 2 |
| Exhaust connector |  | 1 |
| 12 mm long screws |  | 4 |
| 25 mm long screws |  | 4 |

Tools required:

- one drill and 3 mm bit
- one Phillips head screwdriver
- four $\phi 12 \times 50$ mm timber screws

Note:

- A minimum of 50 mm (2 inches) is required between the top of the dryer and the ceiling.
- If mounting above a washing machine, ensure there is enough space above the washing machine to fully open the lid and load or unload the appliance.
- This dryer is not designed to be placed directly on top of a washing machine or any other appliance.

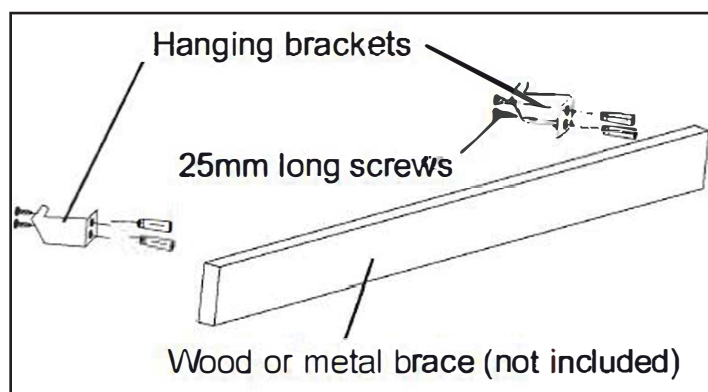
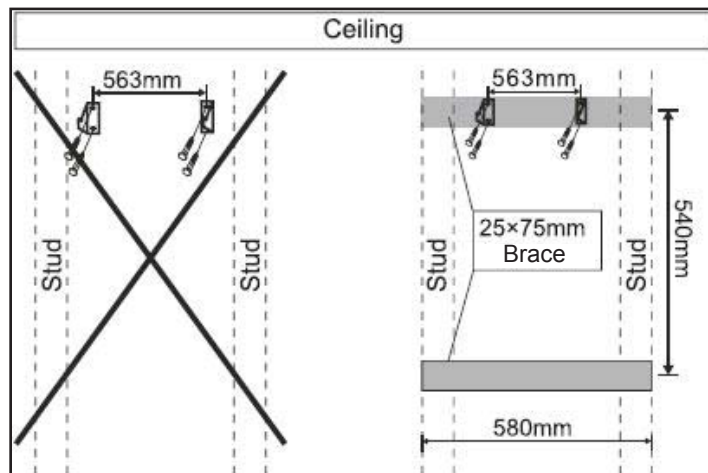
Important: If you wish to install the dryer with a stacking kit, we strongly recommend only using the Danby Dryer with the Danby Laundry Stacking Kit and ensure that you follow all installation instructions that come with the Laundry Stacking Kit.

INSTALLATION INSTRUCTIONS

WALL MOUNTING INSTRUCTIONS

1. Determine where you would like the dryer positioned and mark the required bracket position on the wall.
2. Securely affix the hanging brackets to the wall.
 - The hanging brackets must be screwed into wall studs to ensure the installation is secure.
 - The hanging brackets must be placed no more than 56.3 cm (22.2 inches) apart.
 - If the wall studs are further apart than 56.3 cm (22.2 inches), you must install two braces on the wall, one to hold the hanging brackets and one to brace the plastic spacers.
 - Ensure the braces are screwed directly into the wall studs and then screw the hanging brackets to the brace.

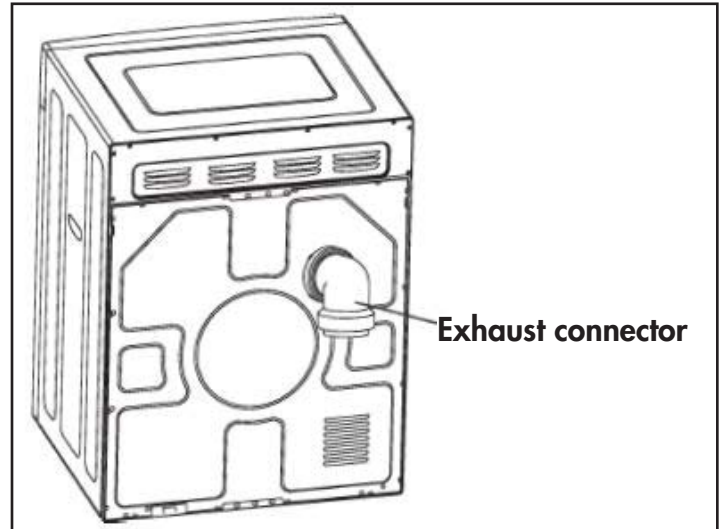
Important note: If the hanging brackets do not align with the wall studs we strongly recommend using a wood or metal brace that will allow at least two screws to be secured into wall studs.



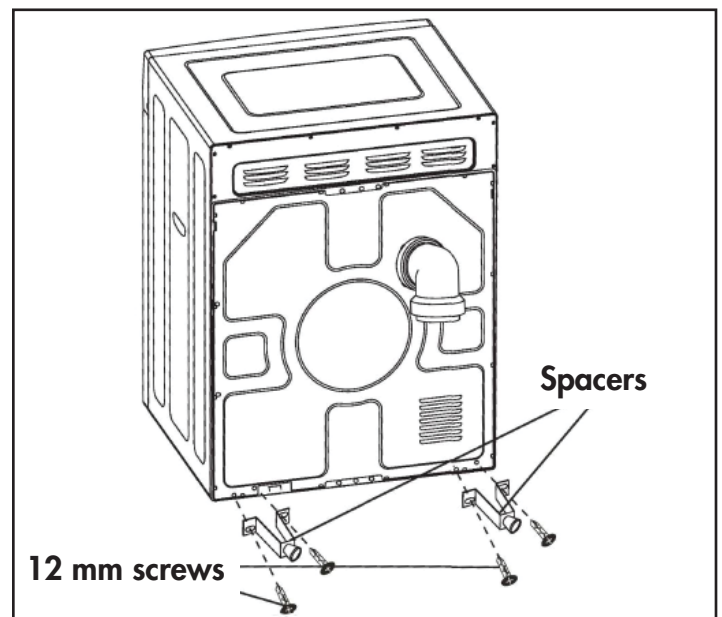
INSTALLATION INSTRUCTIONS

WALL MOUNTING INSTRUCTIONS

1. Install the exhaust connector on the back of the unit. The exhaust connector can be aimed in any direction that is convenient for your installation.



2. Using four 12mm screws, attach the plastic spacers to the rear of the unit. These spacers will minimize vibration and noise during operation.



3. With assistance, mount the dryer on the wall bracket.

