

JENN-AIR® 30" AND 36" (76.2 CM AND 91.4 CM)
COMMERCIAL STYLE WALL-MOUNT
CANOPY RANGE HOOD

HOTTE DE CUISINIÈRE JENN-AIR® POUR
MONTAGE MURAL DE STYLE COMMERCIAL
30" ET 36" (76,2 CM ET 91,4 CM)

Installation Instructions and Use & Care Guide

For questions about features, operation/performance, parts, accessories, or service in the U.S.A., call:

1-800-JENNAIR (1-800-536-6247) or visit our website at www.jennair.com.

In Canada, call: **1-800-JENNAIR (1-800-536-6247)**, or visit our website at www.jennair.ca.

Instructions d'installation et Guide d'utilisation et d'entretien

Au Canada, pour assistance, installation ou service, composez le **1-800-JENNAIR (1-800-536-6247)** ou visitez notre site web à www.jennair.ca.

Table of Contents/Table des matières 2

IMPORTANT: READ AND SAVE THESE INSTRUCTIONS.

FOR RESIDENTIAL USE ONLY.

IMPORTANT : LIRE ET CONSERVER CES INSTRUCTIONS.

POUR UTILISATION RÉSIDENIELLE UNIQUEMENT.

JENN-AIR®

LI3V3B/W10274318B

TABLE OF CONTENTS

RANGE HOOD SAFETY	2
INSTALLATION REQUIREMENTS	4
Tools and Parts	4
Location Requirements	4
Venting Requirements	5
Electrical Requirements	6
INSTALLATION INSTRUCTIONS	7
Prepare Location	7
Install Range Hood	9
Make Electrical Connection	9
Install Vent Covers (Optional)	10
Complete Installation	10
RANGE HOOD USE	10
Range Hood Controls	10
RANGE HOOD CARE	11
Cleaning	11
WIRING DIAGRAM	12
ASSISTANCE OR SERVICE	13
In the U.S.A.	13
In Canada	13
Accessories	13
WARRANTY	14

TABLE DES MATIÈRES

SÉCURITÉ DE LA HOTTE DE CUISINIÈRE	15
EXIGENCES D'INSTALLATION	17
Outils et pièces	17
Exigences d'emplacement	17
Exigences concernant l'évacuation	18
Spécifications électriques	20
INSTRUCTIONS D'INSTALLATION	20
Préparation de l'emplacement	20
Installation de la hotte	22
Raccordement électrique	23
Installation des cache-conduits (facultatif)	24
Achever l'installation	24
UTILISATION DE LA HOTTE	24
Commandes de la hotte de cuisinière	24
ENTRETIEN DE LA HOTTE	25
Nettoyage	25
SCHÉMA DE CÂBLAGE	26
ASSISTANCE OU SERVICE	27
Au Canada	27
Accessoires	27
GARANTIE	28

RANGE HOOD SAFETY

Your safety and the safety of others are very important.

We have provided many important safety messages in this manual and on your appliance. Always read and obey all safety messages.



This is the safety alert symbol.

This symbol alerts you to potential hazards that can kill or hurt you and others.

All safety messages will follow the safety alert symbol and either the word "DANGER" or "WARNING." These words mean:

⚠ DANGER

You can be killed or seriously injured if you don't immediately follow instructions.

⚠ WARNING

You can be killed or seriously injured if you don't follow instructions.

All safety messages will tell you what the potential hazard is, tell you how to reduce the chance of injury, and tell you what can happen if the instructions are not followed.

State of California Proposition 65 Warnings:

WARNING: This product contains one or more chemicals known to the State of California to cause cancer.

WARNING: This product contains one or more chemicals known to the State of California to cause birth defects or other reproductive harm.

IMPORTANT SAFETY INSTRUCTIONS

WARNING: TO REDUCE THE RISK OF FIRE, ELECTRIC SHOCK, OR INJURY TO PERSONS, OBSERVE THE FOLLOWING:

- Use this unit only in the manner intended by the manufacturer. If you have questions, contact the manufacturer.
- Before servicing or cleaning the unit, switch power off at service panel and lock the service disconnecting means to prevent power from being switched on accidentally. When the service disconnecting means cannot be locked, securely fasten a prominent warning device, such as a tag, to the service panel.
- Installation work and electrical wiring must be done by qualified person(s) in accordance with all applicable codes and standards, including fire-rated construction.
- Do not operate any fan with a damaged cord or plug. Discard fan or return to an authorized service facility for examination and/or repair.
- Sufficient air is needed for proper combustion and exhausting of gases through the flue (chimney) of fuel burning equipment to prevent backdrafting. Follow the heating equipment manufacturer's guideline and safety standards such as those published by the National Fire Protection Association (NFPA), the American Society for Heating, Refrigeration and Air Conditioning Engineers (ASHRAE), and the local code authorities.
- When cutting or drilling into wall or ceiling, do not damage electrical wiring and other hidden utilities.
- Ducted fans must always be vented outdoors.

CAUTION: For general ventilating use only. Do not use to exhaust hazardous or explosive materials and vapors.

CAUTION: To reduce risk of fire and to properly exhaust air, be sure to duct air outside - do not vent exhaust air into spaces within walls or ceilings, attics or into crawl spaces, or garages.

WARNING: TO REDUCE THE RISK OF FIRE, USE ONLY METAL DUCTWORK.

WARNING: TO REDUCE THE RISK OF A RANGE TOP GREASE FIRE:

- Never leave surface units unattended at high settings. Boilovers cause smoking and greasy spillovers that may ignite. Heat oils slowly on low or medium settings.
- Always turn hood ON when cooking at high heat or when flambeing food (i.e. Crepes Suzette, Cherries Jubilee, Peppercorn Beef Flambé).
- Clean ventilating fans frequently. Grease should not be allowed to accumulate on fan or filter.
- Use proper pan size. Always use cookware appropriate for the size of the surface element.

WARNING: TO REDUCE THE RISK OF INJURY TO PERSONS IN THE EVENT OF A RANGE TOP GREASE FIRE, OBSERVE THE FOLLOWING:^a

- SMOTHER FLAMES with a close fitting lid, cookie sheet, or metal tray, then turn off the burner. BE CAREFUL TO PREVENT BURNS. If the flames do not go out immediately, EVACUATE AND CALL THE FIRE DEPARTMENT.
- NEVER PICK UP A FLAMING PAN - you may be burned.
- DO NOT USE WATER, including wet dishcloths or towels - a violent steam explosion will result.
- Use an extinguisher ONLY if:
 - You know you have a class ABC extinguisher, and you already know how to operate it.
 - The fire is small and contained in the area where it started.
 - The fire department is being called.
 - You can fight the fire with your back to an exit.

^aBased on "Kitchen Fire Safety Tips" published by NFPA.

- **WARNING:** To reduce the risk of fire or electrical shock, do not use this fan with any solid-state speed control device.

READ AND SAVE THESE INSTRUCTIONS

INSTALLATION REQUIREMENTS

Tools and Parts

Gather the required tools and parts before starting installation. Read and follow the instructions provided with any tools listed here.

Tools needed

- Level
- Drill with 1¼" (3.0 cm), ⅜" (4.8 mm), ⅛" (3.0 mm), and 5/16" (7.9 mm) drill bits
- Pencil
- Wire stripper or utility knife
- Tape measure or ruler
- Pliers
- Caulking gun and weatherproof caulking compound
- Vent clamps
- Jigsaw or keyhole saw
- Flat-blade screwdriver
- Metal snips
- Phillips screwdriver
- Metric hex key set

Parts needed

- Home power supply cable
- ½" (12.7 mm) UL listed or CSA approved strain relief
- 3 UL listed wire connectors
- 1 wall or roof cap
- Metal vent system

Parts supplied

Remove parts from packages. Check that all parts are included.

- Hood canopy assembly with ventilator and light bulbs installed
- 3¼" x 10" (8.3 x 25.4 cm) rectangular vent connector
- 2 metal grease filters for 30" (76.2 cm) model
- 3 metal grease filters for 36" (91.4 cm) model
- T20® Torx®† adapter
- 4 - 5 x 45 mm mounting screws
- 6 - 4.5 x 13 mm screws
- 3 - 4 x 8 mm screws
- 4 - 10 x 50 wall anchors

Location Requirements

IMPORTANT: Observe all governing codes and ordinances.

Have a qualified technician install the range hood. It is the installer's responsibility to comply with installation clearances specified on the model/serial/rating plate. The model/serial/rating plate is located behind the left filter on the rear wall of the vent hood.

Canopy hood location should be away from strong draft areas, such as windows, doors and strong heating vents.

Cabinet opening dimensions that are shown must be used. Given dimensions provide minimum clearance.

Grounded electrical outlet is required. See "Electrical Requirements" section.

The canopy hood is factory set for venting through the roof or wall.

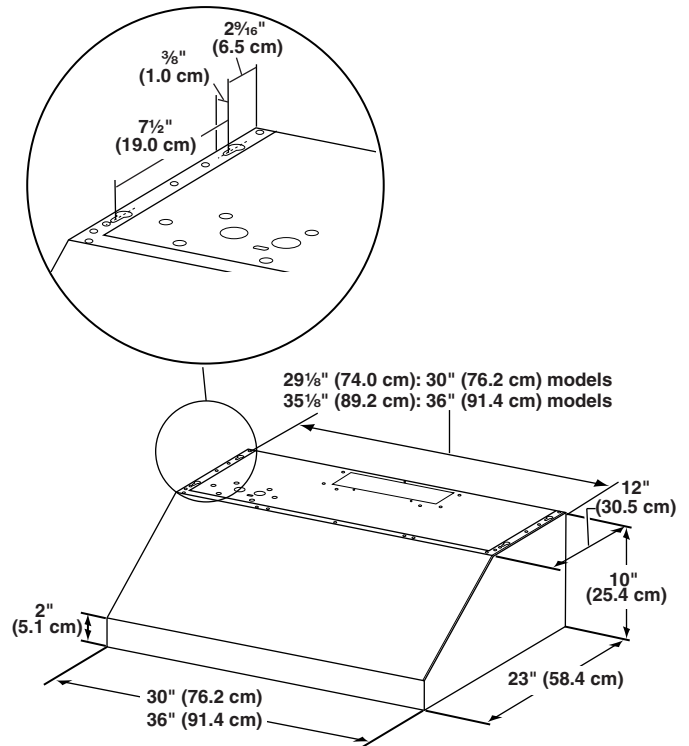
All openings in ceiling and wall where canopy hood will be installed must be sealed.

For Mobile Home Installations

The installation of this range hood must conform to the Manufactured Home Construction Safety Standards, Title 24 CFR, Part 328 (formerly the Federal Standard for Mobile Home Construction and Safety, Title 24, HUD, Part 280) or when such standard is not applicable, the standard for Manufactured Home Installation 1982 (Manufactured Home Sites, Communities and Setups) ANSI A225.1/NFPA 501A, or latest edition, or with local codes.

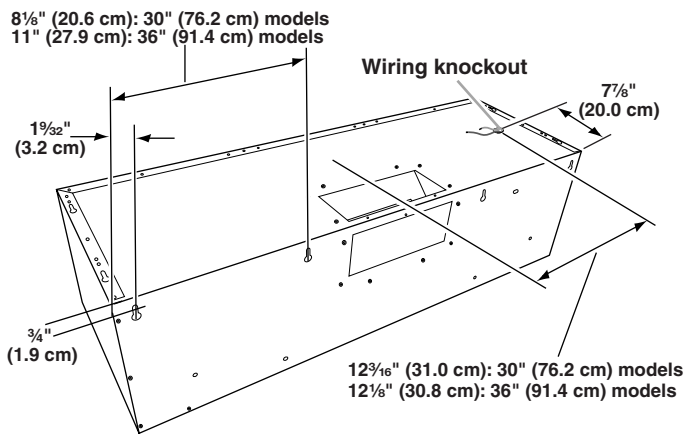
Product Dimensions

Front View

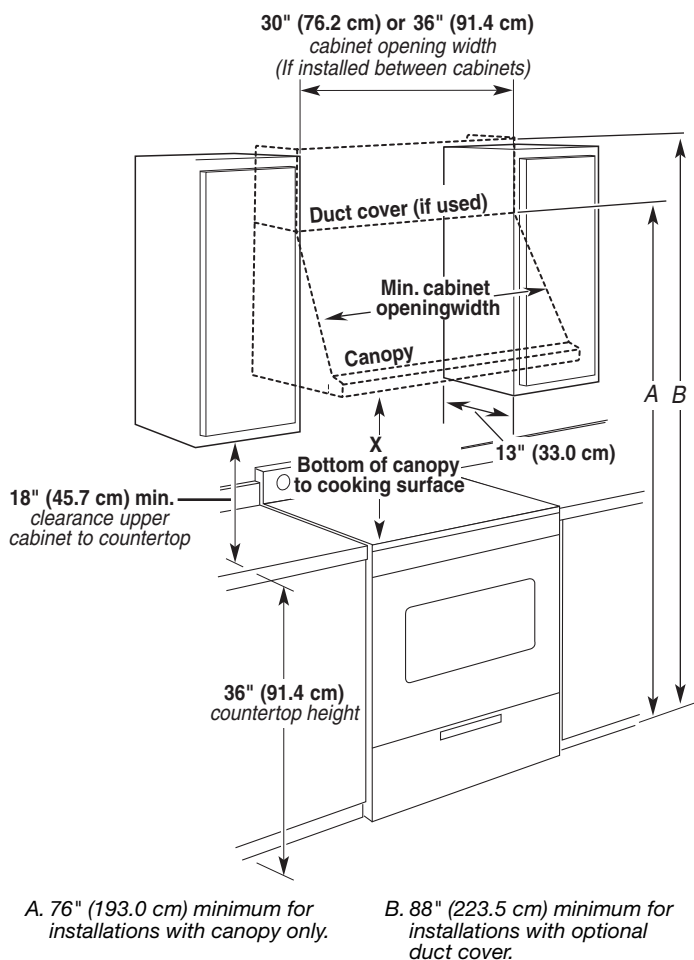


†®TORX and T20 are registered trademarks of Acument Intellectual Properties, LLC.

Back View



Cabinet Dimensions



IMPORTANT:

Minimum distance "X": 30" (76.2 cm)

Suggested maximum distance "X": 36" (91.4 cm)

Venting Requirements

- Vent system must terminate to the outdoors.
- Do not terminate the vent system in an attic or other enclosed area.
- Do not use a 4" (10.2 cm) laundry-type wall cap.
- Use metal vent only. Rigid metal vent is recommended.
- The length of vent system and number of elbows should be kept to a minimum to provide efficient performance.

For the most efficient and quiet operation:

- Use no more than three 90° elbows.
- Make sure there is a minimum of 24" (61.0 cm) of straight vent between the elbows if more than 1 elbow is used.
- Do not install 2 elbows together.
- Use clamps to seal all joints in the vent system.
- The vent system must have a damper. If roof or wall cap has a damper, do not use damper supplied with the range hood.
- Use caulking to seal exterior wall or roof opening around the cap.
- The size of the vent should be uniform.

Cold Weather Installations

An additional back draft damper should be installed to minimize backward cold air flow and a thermal break should be installed to minimize conduction of outside temperatures as part of the vent system. The damper should be on the cold air side of the thermal break.

The break should be as close as possible to where the vent system enters the heated portion of the house.

Makeup Air

Local building codes may require the use of makeup air systems when using ventilation systems greater than specified CFM of air movement. The specified CFM varies from locale to locale. Consult your HVAC professional for specific requirements in your area.

Venting Methods

This canopy hood is factory set for venting through the roof or wall.

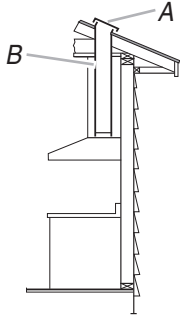
A 3 1/4" x 10" (8.3 x 25.4 cm) rectangular vent system is needed for installation (not included). The hood exhaust opening is 3 1/4" x 10" (8.3 x 25.4 cm). Vent system can terminate either through the roof or wall. To vent out of the top of the range hood and through a wall, a 90° elbow is needed. See "Install Range Hood" section for details for installing the damper.

NOTE: Flexible vent is not recommended. Flexible vent creates back pressure and air turbulence that greatly reduce performance.

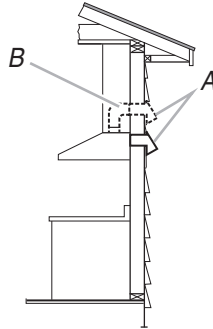
Rear discharge

This range hood can be vented directly out the back using the 3/4" x 10" (8.3 cm x 25.4 cm) rectangular damper (supplied) along with a 3/4" x 10" (8.3 cm x 25.4 cm) rectangular vent system (not supplied). See "Install Range Hood" section for details for installing the damper.

Roof Venting



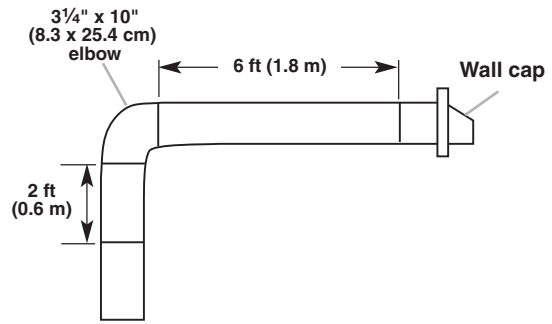
Wall Venting (top or rear discharge)



A. Roof cap
B. 3/4" x 10" (8.3 x 25.4 cm)
rectangular metal vent

A. Wall cap
B. 3/4" x 10" (8.3 x 25.4 cm)
rectangular metal vent

Example vent system



Maximum Recommended Length = 35 ft (10.7 m)

1 - 90° elbow = 5.0 ft (1.5 m)

8 ft (2.4 m) straight = 8.0 ft (2.4 m)

1 - wall cap = 0.0 ft (0.0 m)

Length of 3/4" x 10" (8.3 cm x 25.4 cm) system = 13.0 ft (3.9 m)

Electrical Requirements

Observe all governing codes and ordinances.

Ensure that the electrical installation is adequate and in conformance with National Electrical Code, ANSI/NFPA 70 (latest edition), or CSA Standards C22.1-94, Canadian Electrical Code, Part 1 and C22.2 No. 0-M91 (latest edition) and all local codes and ordinances.

If codes permit and a separate ground wire is used, it is recommended that a qualified electrician determine that the ground path is adequate.

A copy of the above code standards can be obtained from:

National Fire Protection Association
1 Batterymarch Park
Quincy, MA 02169-7471

CSA International
8501 East Pleasant Valley Road
Cleveland, OH 44131-5575

- A 120 volt, 60 Hz., AC only, 15-amp, fused electrical circuit is required.
- If the house has aluminum wiring, follow the procedure below:

1. Connect a section of solid copper wire to the pigtail leads.
2. Connect the aluminum wiring to the added section of copper wire using special connectors and/or tools designed and UL listed for joining copper to aluminum.

Follow the electrical connector manufacturer's recommended procedure. Aluminum/copper connection must conform with local codes and industry accepted wiring practices.

- Wire sizes and connections must conform with the rating of the appliance as specified on the model/serial/rating plate. The model/serial/rating plate is located behind the left filter on the rear wall of the range hood.
- Wire sizes must conform to the requirements of the National Electrical Code, ANSI/NFPA 70 (latest edition), or CSA Standards C22. 1-94, Canadian Electrical Code, Part 1 and C22.2 No. 0-M91 (latest edition) and all local codes and ordinances.

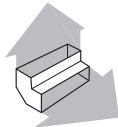
Calculating Vent System Length

To calculate the length of the system you need, add the equivalent feet (meters) for each vent piece used in the system.

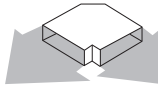
3/4" x 10" (8.3 cm x 25.4 cm) Vent System

Vent Piece

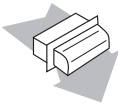
3/4" x 10" (8.3 cm x 25.4 cm)
90° elbow 5.0 ft
(1.5 m)



3/4" x 10" (8.3 cm x 25.4 cm)
flat elbow 12.0 ft
(3.7 m)



3/4" x 10" (8.3 cm x 25.4 cm)
wall cap 0.0 ft
(0.0 m)



INSTALLATION INSTRUCTIONS

Prepare Location

- It is recommended that the vent system be installed before hood is installed.
 - If you are installing an optional backsplash or full width duct cover, follow the instructions included with that product.
 - Before making cutouts, make sure there is proper clearance within the ceiling or wall for exhaust vent.
 - Check your ceiling height and the hood height maximum before you select your hood.
1. Disconnect power.
 2. Determine which venting method to use: roof, wall, or non-vented.
 3. Select a flat surface for assembling the range hood. Place covering over that surface.

⚠ WARNING

Excessive Weight Hazard

Use two or more people to move and install range hood.

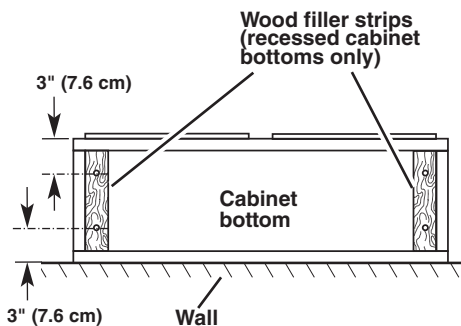
Failure to do so can result in back or other injury.

4. Using 2 or more people, lift range hood onto covered surface.

NOTE: This range hood can be mounted to the cabinets or to the wall.

For Cabinet Installations

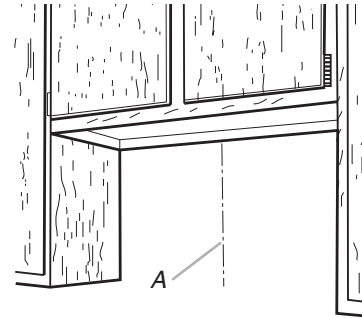
1. If cabinet has recessed bottom, add wood filler strips on each side. Install screws to attach filler strips in locations shown.



Determine Wiring Hole Location

Cut only one 1¼" (3.2 cm) diameter wiring access hole. See Step 2 for wiring hole location instructions.

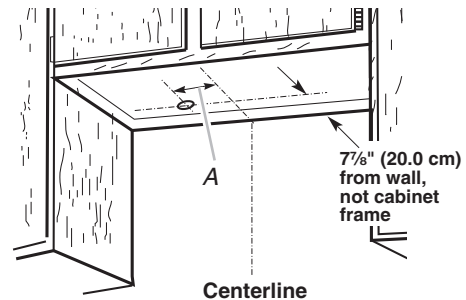
1. Determine and clearly mark a vertical centerline on the wall and cabinet in the area the vent opening will be made.



A. Centerline

2. To wire through top:

Mark a line distance "A" from the left of the centerline on the underside of the cabinet. Mark the point on this line that is 7⅞" (20.0 cm) from back wall. Drill a 1¼" (3.2 cm) diameter hole through the cabinet at this point.



A. 12⅜" (31.0 cm)

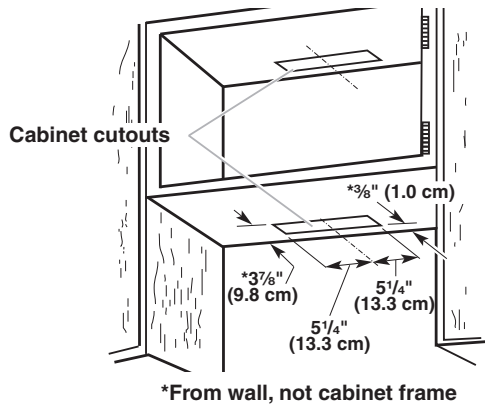
Cut Openings for 3¼" x 10" (8.3 cm x 25.4 cm) Rectangular Vent System

Roof Venting

To make a 3½" x 10½" (8.9 cm x 26.7 cm) rectangular cutout on the underside of cabinet top and bottom:

1. Mark lines ⅜" (1.0 cm) and 3⅞" (9.8 cm) from the back wall on the centerline of the underside of cabinet.
2. Mark lines 5¼" (13.3 cm) to the right and left of the centerline on the underside of cabinet.
3. Use saber or keyhole saw to cut a rectangular opening for vent.

- Repeat steps 1-3 for the underside of the top of the cabinet.



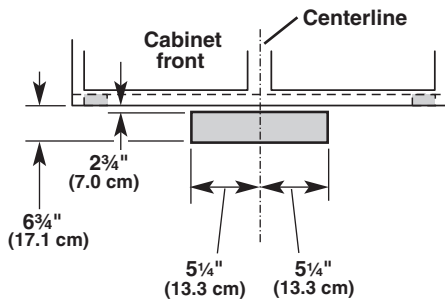
*From wall, not cabinet frame

Wall Venting Under Cabinet

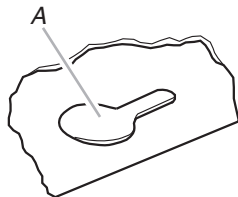
To make a 3½" x 10½" (8.9 cm x 26.7 cm) rectangle in the wall:

- Make 2 lines by measuring ⅜" (9.5 mm) and ¾" (9.8 cm) down from underside of cabinet and mark on the centerline on the back wall.
- Mark lines 5¼" (13.3 cm) to the right and left of the centerline on the wall.

Use saber or keyhole saw to cut a rectangular opening in the wall for the vent.



- Lift the range hood up under cabinet and determine final location by centering beneath cabinet. Mark on the underside of cabinet the location of the 4 keyhole mounting slots on the range hood. Set range hood aside on a covered surface.



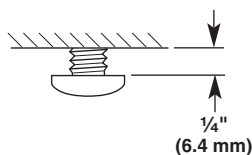
A. Keyhole slot

- Use ⅛" (3 mm) drill bit and drill 4 pilot holes as shown.



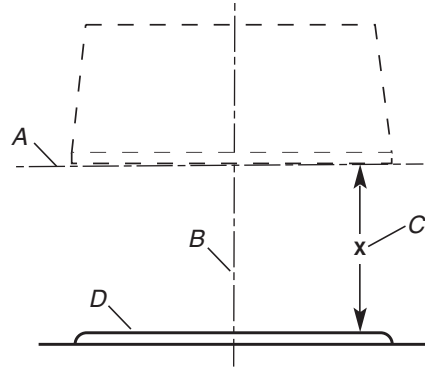
A. Drill pilot hole.

- Install the 4 - 4.5 x 13 mm mounting screws in pilot holes. Leave about ¼" (6.4 mm) space between screw heads and cabinet to slide range hood into place.



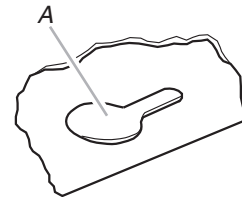
For Wall Installations:

- Determine and mark the centerline on the wall where the canopy hood will be installed.
- Select a mounting height between a minimum of 30" (76.2 cm) and a suggested maximum of 36" (91.4 cm) above the range to the bottom of the hood. Mark a reference line on the wall.
- Using 2 or more people, center the hood on the vertical centerline, then align the bottom of the hood with the horizontal reference line marked on the wall.



A. Horizontal reference line
B. Vertical centerline
C. Mounting height
D. Cooking surface

- Mark centers of the fastener locations to the wall. Set range hood aside on a covered surface.



A. Keyhole slot

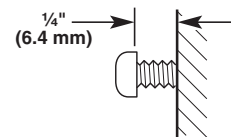
IMPORTANT: All screws must be installed into wood. If there is no wood to screw into, additional wall framing supports may be required.

- Drill ⅜" (4.8 mm) pilot holes at all locations where screws are being installed into wood.



A. Drill pilot hole.

- Install the 2 - 5 x 45 mm mounting screws. Leave a ¼" (6.4 mm) gap between the wall and the back of the screw head to slide range hood into place.



- Determine and make all necessary cuts in the wall or ceiling for the vent system. Install the vent system before installing the hood. See "Venting Requirements" section.

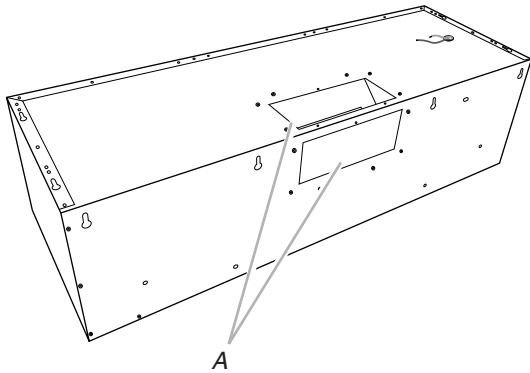
Complete Preparation

1. Determine the required height for the home power supply cable and drill a 1 1/4" (3.2 cm) hole at this location.
2. Run the home power supply cable according to the National Electrical Code or CSA Standards and local codes and ordinances. There must be enough 1/2" conduit and wires from the fused disconnect (or circuit breaker) box to make the connection in the hood's electrical terminal box.

NOTE: Do not reconnect power until installation is complete.
3. Remove terminal box cover and set aside.
4. Remove knockout from the top of the vent hood and install a UL listed or CSA approved 1/2" strain relief.

Install Range Hood

1. Remove the grease filters. See the "Range Hood Care" section.
2. Depending on your installation, remove either top or rear rectangular vent knockout. If using round vent, remove top rectangular knockout.

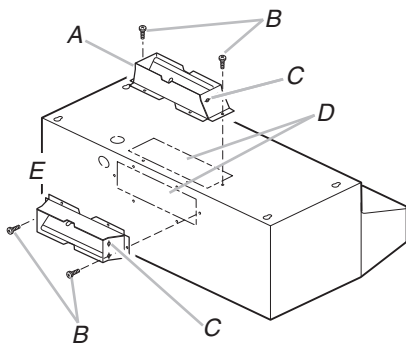


A. Vent knockouts

Make sure damper pivot is nearest to top/back edge of range hood.

3. Remove tape from damper flap.

NOTE: The 3 1/4" x 10" (8.3 x 25.4 cm) rectangular damper can be installed up to 1" (2.5 cm) on either side of the hood center to accommodate off center duct work.
4. Attach the 3 1/4" x 10" (8.3 x 25.4 cm) rectangular vent connector to the range hood using sheet metal screws.



A. Top venting
B. Sheet metal screws
C. Hinge pin
D. Vent knockouts
E. Rear venting

NOTE: If the wall cap is directly behind the 3 1/4" x 10" (8.3 x 25.4 cm) rectangular vent connector, check that the damper and the wall cap do not interfere with each other. Remove the damper from the 3 1/4" x 10" (8.3 x 25.4 cm) rectangular vent connector if they interfere.

5. Using 2 or more people, lift the hood into final position. Feed enough electrical wire through the 1/2" UL listed or CSA approved strain relief to make connections in the terminal box. Tighten the strain relief screws.
6. Position the range hood so that the large end of the keyhole slots are over the mounting screws. Then, push the hood toward the wall (for cabinet mounting) or allow the range hood to slide down to the marked mounting height (for wall mounting) so that the screws are in the neck of the slots. Tighten the mounting screws, making sure the screws are in the narrow neck of slots. (For wall mount, check that the hood is level).
7. Connect ventwork to hood. Seal joints with clamps to make secure and airtight.
8. Check that back draft dampers work properly.

Make Electrical Connection

⚠ WARNING



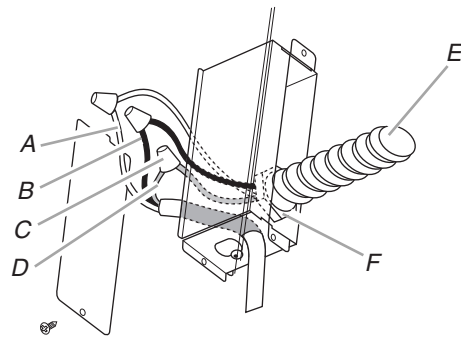
Electrical Shock Hazard

Disconnect power before servicing.

Replace all parts and panels before operating.

Failure to do so can result in death or electrical shock.

1. Disconnect power.




A. White wires
B. Black wires
C. UL listed wire connector
D. Green (or bare) and yellow-green ground wire
E. Home power supply cable
F. UL listed or CSA approved 1/2" strain relief

2. Use UL listed wire connectors and connect white wires (A) together.

- Use UL listed wire connectors and connect black wires (B) together.

⚠ WARNING



Electrical Shock Hazard

Electrically ground blower.

Connect ground wire to green and yellow ground wire in terminal box.

Failure to do so can result in death or electrical shock.

- Connect green (or bare) ground wire from home power supply to yellow-green ground wire (C) in terminal box using UL listed wire connectors.

- Install terminal box cover.
- Check that all light bulbs are secure in their sockets.
- Reconnect power.

Install Vent Covers (Optional)

If you are installing an optional full width duct cover, follow the instructions included with that product.

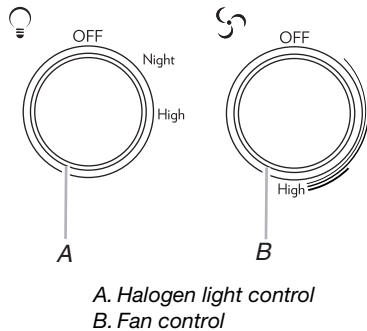
Complete Installation

- Install metal grease filters. See the “Range Hood Care” section.
 - Check the operation of the range hood blower and light. See the “Range Hood Use” section.
- NOTE:** To get the most efficient use from your new range hood, read the “Range Hood Use” section.

RANGE HOOD USE

The range hood is designed to remove smoke, cooking vapors and odors from the cooktop area. For best results, start the hood before cooking and allow it to operate several minutes after the cooking is complete to clear all smoke and odors from the kitchen.

The hood controls are located on the right-hand underside of the range hood.



Range Hood Controls

Operating the lights

- Turn the light switch to the Night position to use the range hood lights as a night light.
- Turn the light switch to the High position to turn the range hood lights On.
- Turn the light switch to the Off position to turn the range hood lights Off.

Operating the blower

- Turn the blower switch to the first position to turn the range hood on Low.
- Turn the blower switch to the second position to turn the range hood on Medium.
- Turn the blower switch to the third position to turn the range hood on Medium - High.
- Turn the blower switch to the High position to turn the range hood on High.
- Turn the blower switch to the Off position to turn the range hood blower Off.

RANGE HOOD CARE

Cleaning

IMPORTANT: Clean the hood and grease filters frequently according to the following instructions. Replace grease filters before operating hood.

Exterior Surfaces:

To avoid damage to the exterior surface, do not use steel wool or soap-filled scouring pads.

Always wipe dry to avoid water marks.

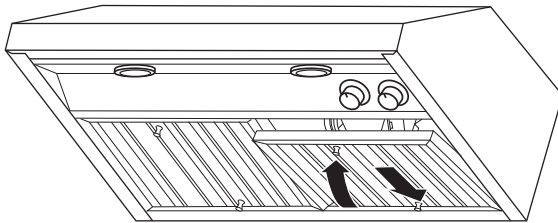
Cleaning Method:

- Liquid detergent soap and water, or all-purpose cleanser
- Wipe with damp soft cloth or nonabrasive sponge, then rinse with clean water and wipe dry.

Metal Grease Filter

To Remove Metal Grease Filters:

1. Use 2 hands to remove the metal grease filters. Grasp filter handles, push toward the rear of the range hood and pull down on the front handle to remove.



2. Repeat for each grease filter.
3. Wash metal grease filters as needed in a dishwasher or hand wash in a hot detergent solution to clean.

To Reinstall Metal Grease Filters:

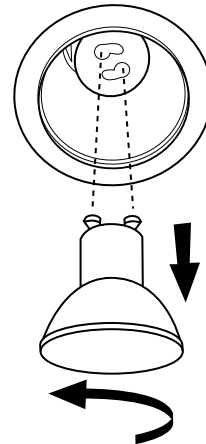
1. Grasp filter handles and place rear of filter into rear track.
2. Push down on the rear handle and set the front of the grease filter into the front track to secure.
3. Repeat for each filter.

Replacing a Halogen Lamp

Turn off the range hood and allow the halogen lamp to cool. To avoid damage or decreasing the life of the new bulb, do not touch bulb with bare fingers. Replace bulb, using tissue or wearing cotton gloves to handle bulb.

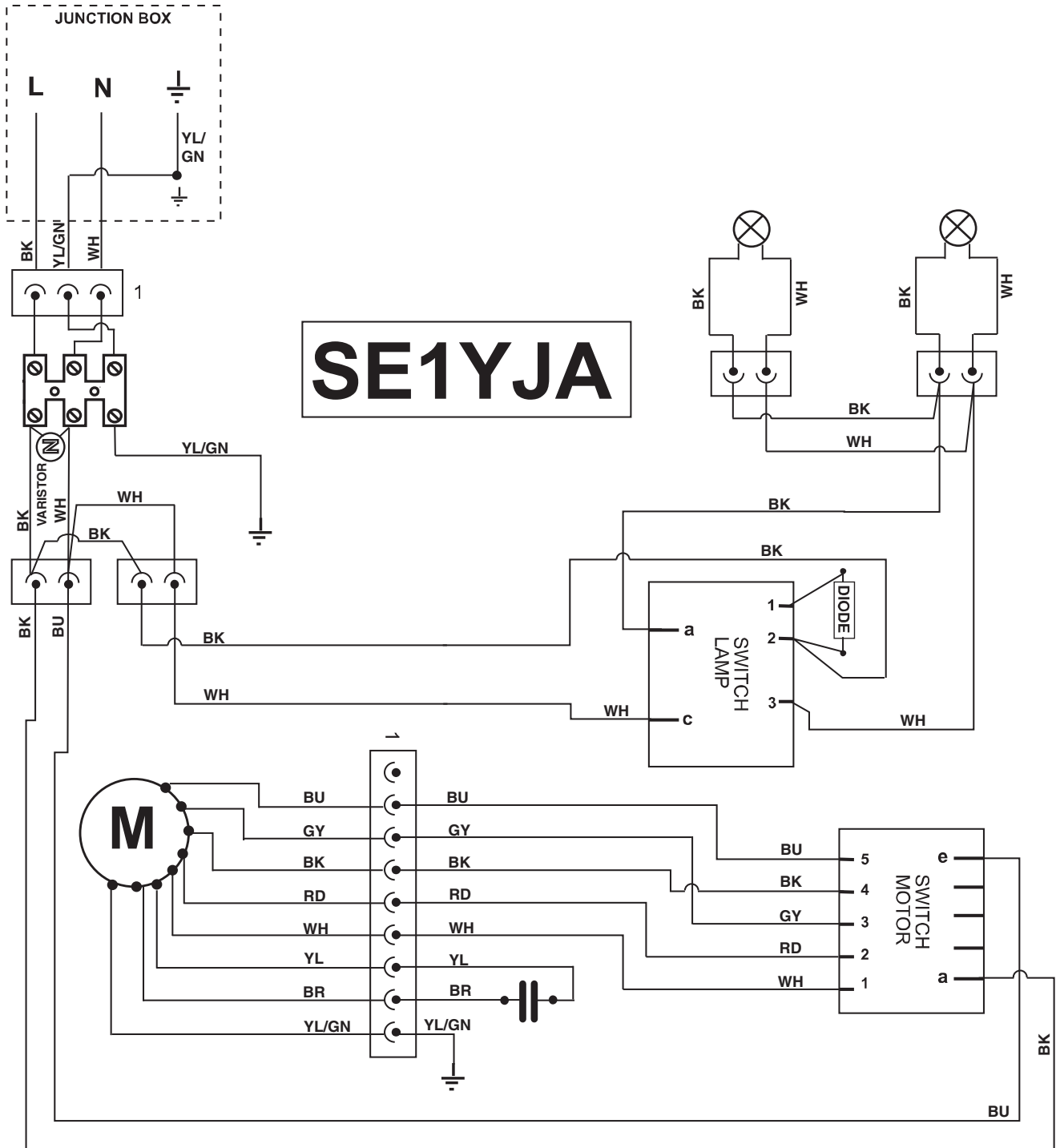
If new lamps do not operate, make sure the lamps are inserted correctly before calling service.

1. Disconnect power.
2. Push up on the lens and turn it counterclockwise.



3. Remove the bulb and replace it with a 120-volt, 50-watt maximum halogen bulb with a GU10 base. Turn it clockwise to lock it into place.
4. Repeat steps 2-3 for the other bulb if needed.
5. Reconnect power.

WIRING DIAGRAM



ASSISTANCE OR SERVICE

If you need service

Please refer to the warranty page in this manual.

If you need replacement parts

If you need to order replacement parts, we recommend that you use only factory specified parts. Factory specified parts will fit right and work right because they are made with the same precision used to build every new appliance.

To locate factory specified replacement parts in your area, call the following customer assistance telephone number or your nearest designated service center.

In the U.S.A.

Call Jenn-Air Customer eXperience Center toll free: **1-800-JENNAIR (1-800-536-6247)** or visit our website at **www.jennair.com**.

Our consultants provide assistance with:

- Scheduling of service. Jenn-Air® appliances designated service technicians are trained to fulfill the product warranty and provide after-warranty service anywhere in the United States.
- Features and specifications on our full line of appliances.
- Referrals to local Jenn-Air® appliance dealers.
- Installation information.
- Use and maintenance procedures.
- Accessory and repair parts sales.
- Specialized customer assistance (Spanish speaking, hearing impaired, limited vision, etc.).

For further assistance

If you need further assistance, you can write to Jenn-Air® Appliances with any questions or concerns at:

Jenn-Air Brand Home Appliances
Customer eXperience Center
553 Benson Road
Benton Harbor, MI 49022-2692

Please include a daytime phone number in your correspondence.

In Canada

Call the Whirlpool Canada LP Customer eXperience Centre toll free at **1-800-JENNAIR (1-800-536-6247)** or visit our website at **www.jennair.ca**.

Our consultants provide assistance with:

- Scheduling of service. Jenn-Air® appliances designated service technicians are trained to fulfill the product warranty and provide after-warranty service anywhere in Canada.
- Features and specifications on our full line of appliances.
- Referrals to local Jenn-Air® appliance dealers.
- Installation information.
- Use and maintenance procedures.
- Accessory and repair parts sales.

For further assistance

If you need further assistance, you can write to Jenn-Air® Appliances with any questions or concerns at:

Jenn-Air Brand Home Appliances
Customer eXperience Centre
200 - 6750 Century Ave.
Mississauga, Ontario L5N 0B7

Please include a daytime phone number in your correspondence.

Accessories

Backsplash with Shelves

Order part number W10285447 for 30" (76.2 cm) model
Order part number W10285448 for 36" (91.4 cm) model

Backsplash without Shelves

Order part number 8285148 for 30" (76.2 cm) model
Order part number 8284756 for 36" (91.4 cm) model

Full Width Chimney Cover

Order part number W10272079 for 30" (76.2 cm) model
Order part number W10272080 for 36" (91.4 cm) model

JENN-AIR® MAJOR APPLIANCE LIMITED WARRANTY

ATTACH YOUR RECEIPT HERE. PROOF OF PURCHASE IS REQUIRED TO OBTAIN WARRANTY SERVICE.

Please have the following information available when you call the Customer eXperience Center:

- Name, address and telephone number
- Model number and serial number
- A clear, detailed description of the problem
- Proof of purchase including dealer or retailer name and address

IF YOU NEED SERVICE:

1. Before contacting us to arrange service, please determine whether your product requires repair. Some questions can be addressed without service. Please take a few minutes to review the Troubleshooting or Problem Solver section of the Use and Care Guide, scan the QR code on the right to access additional resources, or visit <https://jennair.custhelp.com>.
2. All warranty service is provided exclusively by our authorized Jenn-Air Service Providers. In the U.S. and Canada, direct all requests for warranty service to:

Jenn-Air Customer eXperience Center
1-800-JENNAIR (1-800-536-6247)



<https://jennair.custhelp.com>

If outside the 50 United States or Canada, contact your authorized Jenn-Air dealer to determine whether another warranty applies.

TWO YEAR LIMITED WARRANTY

WHAT IS COVERED

For two years from the date of purchase, when this major appliance is installed, operated and maintained according to instructions attached to or furnished with the product, Jenn-Air brand of Whirlpool Corporation or Whirlpool Canada LP (hereafter "Jenn-Air") will pay for Factory Specified Replacement Parts and repair labor to correct defects in materials or workmanship that existed when this major appliance was purchased, or at its sole discretion replace the product. In the event of product replacement, your appliance will be warranted for the remaining term of the original unit's warranty period.

YOUR SOLE AND EXCLUSIVE REMEDY UNDER THIS LIMITED WARRANTY SHALL BE PRODUCT REPAIR AS PROVIDED HEREIN. Service must be provided by a Jenn-Air designated service company. This limited warranty is valid only in the United States or Canada and applies only when the major appliance is used in the country in which it was purchased. This limited warranty is effective from the date of original consumer purchase. Proof of original purchase date is required to obtain service under this limited warranty.

WHAT IS NOT COVERED

1. Commercial, non-residential, multiple-family use, or use inconsistent with published user, operator or installation instructions.
2. In-home instruction on how to use your product.
3. Service to correct improper product maintenance or installation, installation not in accordance with electrical or plumbing codes or correction of household electrical or plumbing (i.e. house wiring, fuses or water inlet hoses).
4. Consumable parts (i.e. light bulbs, batteries, air or water filters, preservation solutions, etc.).
5. Defects or damage caused by the use of non-genuine Jenn-Air parts or accessories.
6. Conversion of products from natural gas or L.P. gas.
7. Damage from accident, misuse, abuse, fire, floods, acts of God or use with products not approved by Jenn-Air.
8. Repairs to parts or systems to correct product damage or defects caused by unauthorized service, alteration or modification of the appliance.
9. Cosmetic damage including scratches, dents, chips, and other damage to the appliance finishes unless such damage results from defects in materials and workmanship and is reported to Jenn-Air within 30 days.
10. Discoloration, rust or oxidation of surfaces resulting from caustic or corrosive environments including but not limited to high salt concentrations, high moisture or humidity or exposure to chemicals.
11. Food or medicine loss due to product failure.
12. Pick-up or delivery. This product is intended for in-home repair.
13. Travel or transportation expenses for service in remote locations where an authorized Jenn-Air servicer is not available.
14. Removal or reinstallation of inaccessible appliances or built-in fixtures (i.e. trim, decorative panels, flooring, cabinetry, islands, countertops, drywall, etc.) that interfere with servicing, removal or replacement of the product.
15. Service or parts for appliances with original model/serial numbers removed, altered or not easily determined.

The cost of repair or replacement under these excluded circumstances shall be borne by the customer.

DISCLAIMER OF IMPLIED WARRANTIES

IMPLIED WARRANTIES, INCLUDING ANY IMPLIED WARRANTY OF MERCHANTABILITY OR IMPLIED WARRANTY OF FITNESS FOR A PARTICULAR PURPOSE, ARE LIMITED TO ONE YEAR OR THE SHORTEST PERIOD ALLOWED BY LAW. Some states and provinces do not allow limitations on the duration of implied warranties of merchantability or fitness, so this limitation may not apply to you. This warranty gives you specific legal rights, and you also may have other rights that vary from state to state or province to province.

DISCLAIMER OF REPRESENTATIONS OUTSIDE OF WARRANTY

Jenn-Air makes no representations about the quality, durability, or need for service or repair of this major appliance other than the representations contained in this warranty. If you want a longer or more comprehensive warranty than the limited warranty that comes with this major appliance, you should ask Jenn-Air or your retailer about buying an extended warranty.

LIMITATION OF REMEDIES; EXCLUSION OF INCIDENTAL AND CONSEQUENTIAL DAMAGES

YOUR SOLE AND EXCLUSIVE REMEDY UNDER THIS LIMITED WARRANTY SHALL BE PRODUCT REPAIR AS PROVIDED HEREIN. JENN-AIR SHALL NOT BE LIABLE FOR INCIDENTAL OR CONSEQUENTIAL DAMAGES. Some states and provinces do not allow the exclusion or limitation of incidental or consequential damages, so these limitations and exclusions may not apply to you. This warranty gives you specific legal rights, and you also may have other rights that vary from state to state or province to province.

SÉCURITÉ DE LA HOTTE DE CUISINIÈRE

Votre sécurité et celle des autres est très importante.

Nous donnons de nombreux messages de sécurité importants dans ce manuel et sur votre appareil ménager. Assurez-vous de toujours lire tous les messages de sécurité et de vous y conformer.



Voici le symbole d'alerte de sécurité.

Ce symbole d'alerte de sécurité vous signale les dangers potentiels de décès et de blessures graves à vous et à d'autres.

Tous les messages de sécurité suivront le symbole d'alerte de sécurité et le mot "DANGER" ou "AVERTISSEMENT". Ces mots signifient :

⚠ DANGER

Risque possible de décès ou de blessure grave si vous ne suivez pas immédiatement les instructions.

⚠ AVERTISSEMENT

Risque possible de décès ou de blessure grave si vous ne suivez pas les instructions.

Tous les messages de sécurité vous diront quel est le danger potentiel et vous disent comment réduire le risque de blessure et ce qui peut se produire en cas de non-respect des instructions.

Avertissements de la proposition 65 de l'État de Californie :

AVERTISSEMENT : Ce produit contient au moins un produit chimique connu par l'État de Californie pour être à l'origine de cancers.

AVERTISSEMENT : Ce produit contient au moins un produit chimique connu par l'État de Californie pour être à l'origine de malformations et autres déficiences de naissance.

IMPORTANTES INSTRUCTIONS DE SÉCURITÉ

AVERTISSEMENT : POUR RÉDUIRE LE RISQUE D'INCENDIE, CHOC ÉLECTRIQUE OU DOMMAGES CORPORELS, RESPECTER LES INSTRUCTIONS SUIVANTES :

- Utiliser cet appareil uniquement dans les applications envisagées par le fabricant. Pour toute question, contacter le fabricant.
- Avant d'entreprendre un travail d'entretien ou de nettoyage, interrompre l'alimentation de la hotte au niveau du tableau de disjoncteurs, et verrouiller le tableau de disjoncteurs pour empêcher tout rétablissement accidentel de l'alimentation du circuit. Lorsqu'il n'est pas possible de verrouiller le tableau de disjoncteurs, placer sur le tableau de disjoncteurs une étiquette d'avertissement proéminente interdisant le rétablissement de l'alimentation.
- Tout travail d'installation ou câblage électrique doit être réalisé par une personne qualifiée, dans le respect des prescriptions de tous les codes et normes applicables, y compris les codes du bâtiment et de protection contre les incendies.
- Ne pas faire fonctionner un ventilateur dont le cordon ou la fiche est endommagé(e). Jeter le ventilateur ou le retourner à un centre de service agréé pour examen et/ou réparation.
- Une source d'air de débit suffisant est nécessaire pour le fonctionnement correct de tout appareil à gaz (combustion et évacuation des gaz à combustion par la cheminée), pour qu'il n'y ait pas de reflux des gaz de combustion. Respecter les directives du fabricant de l'équipement de chauffage et les prescriptions des normes de sécurité - comme celles publiées par la National Fire Protection Association (NFPA) et l'American Society for Heating, Refrigeration and Air Conditioning Engineers (ASHRAE), et les prescriptions des autorités réglementaires locales.
- Lors des opérations de découpage et de perçage dans un mur ou un plafond, ne pas endommager les câblages électriques et les canalisations qui peuvent s'y trouver.
- Les ventilateurs d'évacuation doivent toujours décharger l'air à l'extérieur.

MISE EN GARDE : Cet appareil est conçu uniquement pour la ventilation générale. Ne pas l'utiliser pour l'extraction de matières ou vapeurs dangereuses ou explosives.

MISE EN GARDE : Pour minimiser le risque d'incendie et évacuer adéquatement les gaz, veiller à acheminer l'air aspiré par un conduit jusqu'à l'extérieur - ne pas décharger l'air aspiré dans un espace vide du bâtiment comme une cavité murale, un plafond, un grenier, un vide sanitaire ou un garage.

AVERTISSEMENT : POUR RÉDUIRE LE RISQUE D'INCENDIE, UTILISER UNIQUEMENT DES CONDUITS MÉTALLIQUES.

AVERTISSEMENT : POUR MINIMISER LE RISQUE D'UN FEU DE GRAISSE SUR LA CUISINIÈRE :

- Ne jamais laisser un élément de surface fonctionner à puissance de chauffage maximale sans surveillance. Un renversement/débordement de matière grasseuse pourrait provoquer une inflammation et la génération de fumée. Utiliser une puissance de chauffage moyenne ou basse pour le chauffage d'huile.
- Veiller à toujours faire fonctionner le ventilateur de la hotte lors de la cuisson avec une puissance de chauffage élevée ou lors de la cuisson d'un mets à flamber (à savoir crêpes Suzette, cerise jubilé, steak au poivre flambé).
- Nettoyer fréquemment les ventilateurs d'extraction. Veiller à ne pas laisser la graisse s'accumuler sur les surfaces du ventilateur ou des filtres.
- Utiliser toujours un ustensile de taille appropriée. Utiliser toujours un ustensile adapté à la taille de l'élément chauffant.

AVERTISSEMENT : POUR RÉDUIRE LE RISQUE DE DOMMAGES CORPORELS APRÈS LE DÉCLENCHEMENT D'UN FEU DE GRAISSE SUR LA CUISINIÈRE, APPLIQUER LES RECOMMANDATIONS SUIVANTES :^a

- Placer sur le récipient un couvercle bien ajusté, une tôle à biscuits ou un plateau métallique **POUR ÉTOUFFER LES FLAMMES**, puis éteindre le brûleur. **VEILLER À ÉVITER LES BRÛLURES**. Si les flammes ne s'éteignent pas immédiatement, **ÉVACUER LA PIÈCE ET APPELER LES POMPIERS**.
- **NE JAMAIS PRENDRE EN MAIN UN RÉCIPENT ENFLAMMÉ** - vous risquez de vous brûler.
- **NE PAS UTILISER D'EAU**, ni un torchon humide - ceci pourrait provoquer une explosion de vapeur brûlante.
- Utiliser un extincteur **SEULEMENT** si :
 - Il s'agit d'un extincteur de classe ABC, dont on connaît le fonctionnement.
 - Il s'agit d'un petit feu encore limité à l'endroit où il s'est déclaré.
 - Les pompiers ont été contactés.
 - Il est possible de garder le dos orienté vers une sortie pendant l'opération de lutte contre le feu.

^aRecommandations tirées des conseils de sécurité en cas d'incendie de cuisine publiés par la NFPA.

- **AVERTISSEMENT :** Pour réduire le risque d'incendie ou de choc électrique, ne pas utiliser ce ventilateur avec un quelconque dispositif de réglage de la vitesse à semi-conducteurs.

LIRE ET CONSERVER CES INSTRUCTIONS

EXIGENCES D'INSTALLATION

Outils et pièces

Rassembler les outils et pièces nécessaires avant d'entreprendre l'installation. Lire et observer les instructions fournies avec chacun des outils de la liste ci-dessous.

Outils nécessaires

- Niveau
- Perceuse avec des forets 1¼" (3 cm), ⅜" (4,8 mm), ⅛" (3 mm) et ⅝" (7,9 mm)
- Crayon
- Pince à dénuder ou couteau utilitaire
- Mètre-ruban ou règle
- Pince
- Pistolet à calfeutrage et composé de calfeutrage résistant aux intempéries
- Brides de conduit d'évacuation
- Scie sauteuse ou scie à guichet
- Tournevis à lame plate
- Cisaille de ferblantier
- Tournevis Phillips
- Ensemble de clés à tête hexagonale (système métrique)

Pièces nécessaires

- Câble d'alimentation électrique du domicile
- Serre-câble de ½" (12,7 mm) (homologation UL ou CSA)
- 3 connecteurs de fils homologués UL
- 1 bouche de décharge (décharge à travers le mur ou à travers le toit)
- Circuit d'évacuation métallique

Pièces fournies

Retirer les pièces de leur emballage. Vérifier que toutes les pièces sont présentes.

- Auvent de hotte avec ventilateur et lampes installés
- Connecteur 3¼" x 10" (8,3 x 25,4 cm) pour conduit rectangulaire
- 2 filtres à graisse métalliques, pour modèle de 30" (76,2 cm)
- 3 filtres à graisse métalliques, pour modèle de 36" (91,4 cm)
- Raccord d'adaptation Torx[†] T20[®]
- 4 vis de montage de 5 x 45 mm
- 6 vis de 4,5 x 13 mm
- 3 vis de 4 x 8 mm
- 4 chevilles d'ancrage mural de 10 x 50 mm

Exigences d'emplacement

IMPORTANT : Observer les dispositions de tous les codes et règlements en vigueur.

Confier l'installation de la hotte à un technicien qualifié. C'est à l'installateur qu'incombe la responsabilité de respecter les distances de séparation spécifiées sur la plaque signalétique de l'appareil. La plaque signalétique de l'appareil est située derrière le filtre de gauche, sur la paroi arrière de la hotte.

On doit toujours installer la hotte à distance des sources de courant d'air (fenêtres, portes et bouches de chauffage).

Respecter les dimensions indiquées pour les ouvertures à découper dans les placards. Ces dimensions tiennent compte des valeurs minimales des dégagements de séparation.

On doit disposer d'une prise de courant électrique reliée à la terre. Voir la section "Spécifications électriques".

La hotte est configurée à l'usine pour une décharge à travers le toit ou un mur.

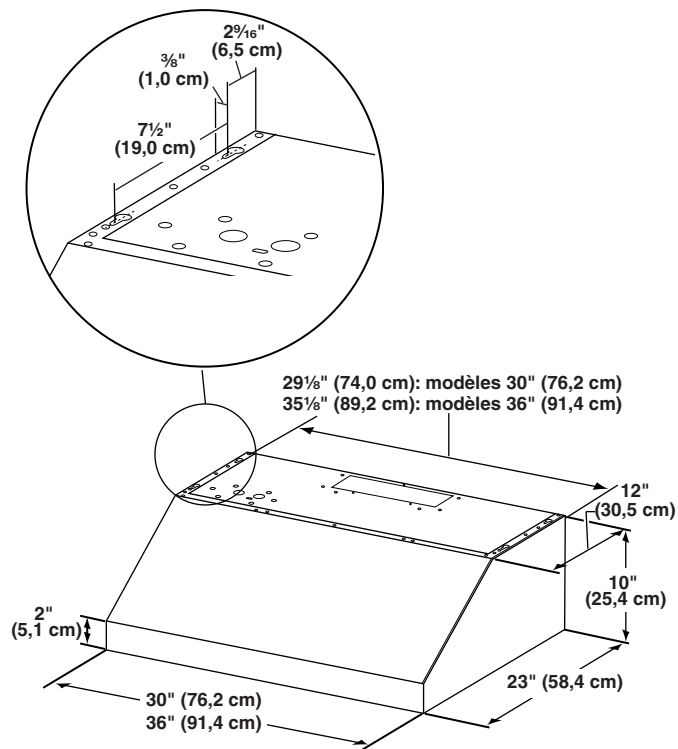
On doit assurer l'étanchéité au niveau de chaque ouverture découpée dans le plafond ou un mur traversé par l'équipement de la hotte.

Installation dans une résidence mobile

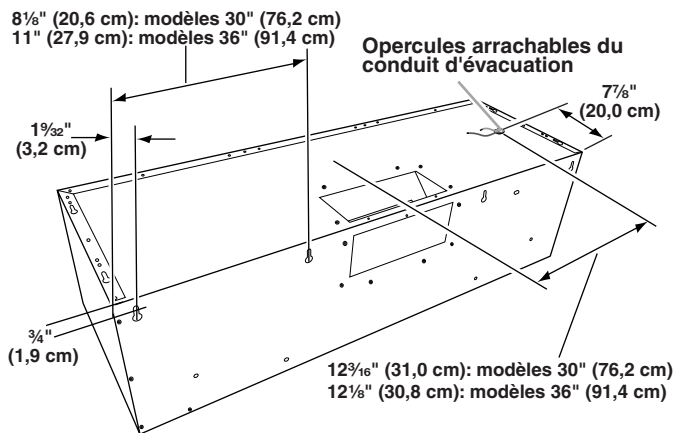
L'installation de cette hotte doit satisfaire aux exigences de la norme Manufactured Home Construction Safety Standards, Titre 24 CFR, partie 328 (anciennement Federal Standard for Mobile Home Construction and Safety, titre 24, HUD, partie 280); lorsque cette norme n'est pas applicable, l'installation doit satisfaire aux critères de la plus récente édition de la norme Manufactured Home Installation 1982 (Manufactured Home Sites, Communities and Setups) ANSI A225.1/NFPA 501A, ou des codes locaux.

Dimensions du produit

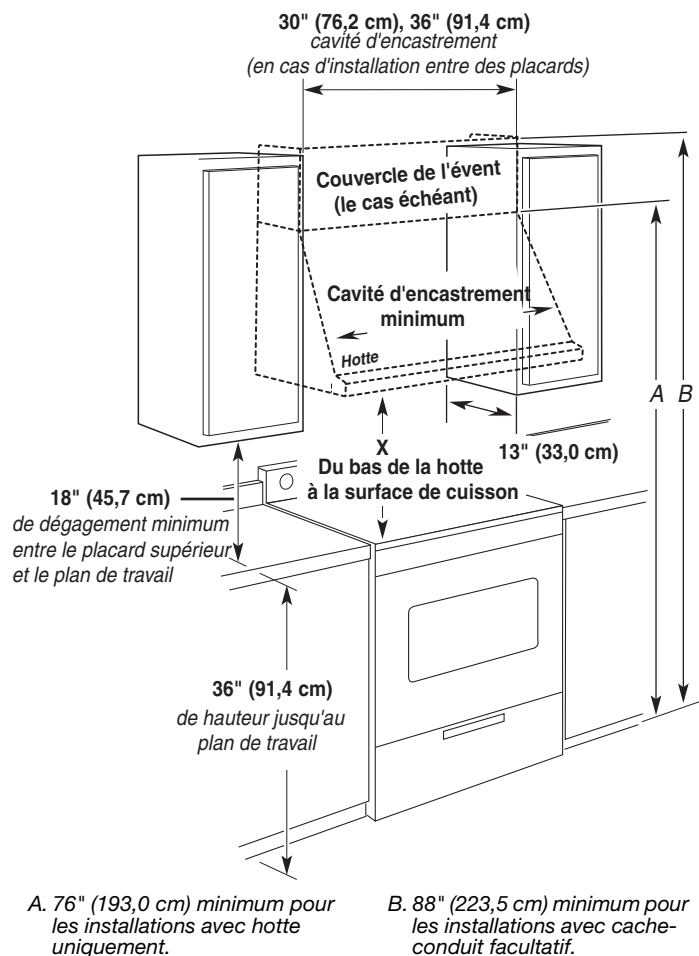
Vue de face



Vue arrière



Dimensions du placard



IMPORTANT :

Valeur minimale de la distance "X" : 30" (76,2 cm)

Valeur maximale suggérée pour la distance "X" : 36" (91,4 cm)

Exigences concernant l'évacuation

- Le système doit décharger l'air à l'extérieur.
- Ne pas terminer le circuit d'évacuation dans un grenier ou dans un autre espace clos.
- Ne pas utiliser une bouche de décharge murale de 4" (10,2 cm) normalement utilisée pour un équipement de buanderie.
- Utiliser un conduit métallique uniquement. Un conduit en métal rigide est recommandé.
- La longueur du système d'évacuation et le nombre de coudes doivent être réduits au minimum pour des performances optimales.

Pour un fonctionnement efficace et silencieux :

- Ne pas utiliser plus de trois coudes à 90°.
- Veiller à ce qu'il y ait une section droite de conduit d'un minimum de 24" (61,0 cm) entre les raccords coudés, si on doit en utiliser plus d'un.
- Ne pas installer 2 coudes successifs.
- Au niveau de chaque jointure du circuit d'évacuation, assurer l'étanchéité avec les brides de serrage.
- Le circuit d'évacuation doit comporter un clapet anti-reflux. Si la bouche de décharge murale ou par le toit comporte un clapet, ne pas utiliser le clapet fourni avec la hotte de cuisinière.
- À l'aide d'un produit de calfeutrage, assurer l'étanchéité autour de la bouche de décharge à l'extérieur (à travers le mur ou le toit).
- La taille du conduit doit être uniforme.

Installations dans les régions au climat froid

On doit installer un clapet anti-retour supplémentaire à l'arrière pour minimiser le reflux d'air froid et incorporer un élément d'isolation thermique pour minimiser la conduction de chaleur par l'intermédiaire du conduit d'évacuation, de l'intérieur de la maison à l'extérieur. Le clapet anti-retour être placé du côté air froid de la barrière thermique.

L'élément d'isolation thermique doit être aussi proche que possible de l'endroit où le circuit d'évacuation s'introduit dans la partie chauffée de la maison.

Air d'appoint

Les codes locaux en bâtiment peuvent imposer l'emploi d'un circuit de renouvellement de l'air/introduction d'air d'appoint, lors de l'utilisation d'un circuit d'aspiration de débit supérieur à une valeur spécifiée en pieds cubes par minute. Le débit spécifié en pieds cubes par minute varie d'une juridiction à l'autre. Consulter un professionnel des installations de chauffage ventilation/climatisation au sujet des exigences spécifiques applicables dans la juridiction locale.

Méthodes d'évacuation

Cette hotte est configurée à l'usine pour la décharge de l'air aspiré à travers le toit ou à travers un mur.

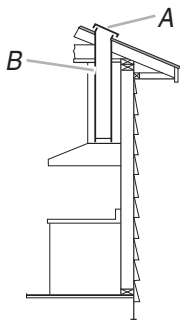
Pour l'installation on a besoin d'un circuit d'évacuation de conduit rectangulaire 3 1/4" x 10" (8,3 x 25,4 cm). L'ouverture de décharge de la hotte est 3 1/4" x 10" (8,3 x 25,4 cm). La sortie à l'extérieur du circuit d'évacuation peut se faire à travers le toit ou à travers un mur. Un coude à 90° est nécessaire pour aspirer l'air du dessus de la hotte et à travers un mur. Voir la section "Installation de la hotte" pour les détails pour l'installation d'un clapet anti-reflux.

REMARQUE : On déconseille l'emploi d'un conduit flexible. Un conduit flexible peut susciter une rétro-pression et des turbulences de l'air, ce qui réduit considérablement la performance.

Décharge à l'arrière

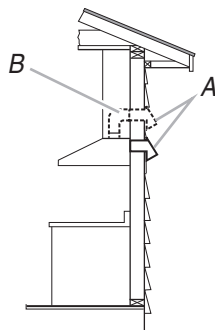
L'air aspiré par la hotte peut être déchargé directement à l'arrière à l'aide du clapet anti-reflux rectangulaire 3 1/4" x 10" (8,3 cm x 25,4 cm) (fourni) en même temps qu'un circuit d'évacuation de conduit rectangulaire 3 1/4" x 10" (8,3 cm x 25,4 cm) (non fourni). Voir la section "Installation de la hotte" pour les détails pour l'installation d'un clapet anti-reflux.

Décharge à travers le toit



A. Bouche de décharge sur toit
B. Conduit rectangulaire métallique 3 1/4" x 10" (8,3 x 25,4 cm)

Décharge à travers le mur (décharge par le dessus ou par l'arrière)



A. Bouche de décharge murale
B. Conduit rectangulaire métallique 3 1/4" x 10" (8,3 x 25,4 cm)

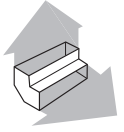
Calcul de la longueur effective du circuit d'évacuation

Pour calculer la longueur effective du circuit d'évacuation nécessaire, additionner les longueurs équivalentes (en pieds ou mètres) de tous les composants utilisés dans le système.

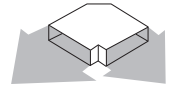
Système de décharge de 3 1/4" x 10" (8,3 cm x 25,4 cm)

Composant

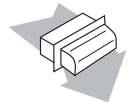
Coude à 90° de 3 1/4" x 10" (8,3 cm x 25,4 cm) 5,0 pi (1,5 m)



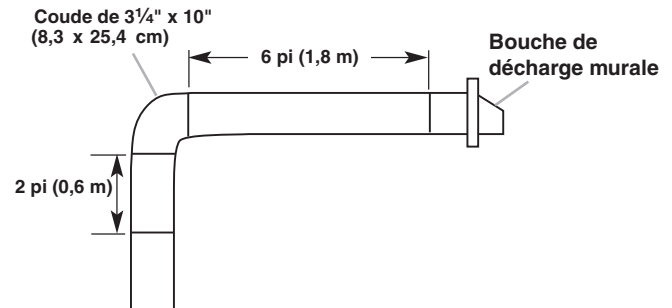
Coude plat de 3 1/4" x 10" (8,3 cm x 25,4 cm) 12,0 pi (3,7 m)



Bouche de décharge murale de 3 1/4" x 10" (8,3 cm x 25,4 cm) 0,0 pi (0,0 m)



Exemple de circuit d'évacuation



Longueur maximale recommandée = 35 pi (10,7 m)

1 coude à 90° = 5,0 pi (1,5 m)

Section droite de 8 pi (2,4 m) = 8 pi (2,4 m)

1 bouche de décharge murale = 0 pi (0 m)

Longueur du système de 3 1/4" x 10" (8,3 cm x 25,4 cm) = 13 pi (3,9 m)

Spécifications électriques

Observer les dispositions de tous les codes et règlements en vigueur.

S'assurer que l'installation électrique est correcte et qu'elle satisfait aux exigences de la plus récente édition de la norme National Electrical Code, ANSI/NFPA 70, ou de la norme CSA C22. 1-94, Code canadien de l'électricité, partie 1 et C22.2 n° 0-M91 (dernière édition) et de tous les codes et règlements en vigueur.

Si les codes le permettent et si l'on utilise un conducteur distinct de liaison à la terre, il est recommandé qu'un électricien qualifié vérifie la qualité de la liaison à la terre.

Pour obtenir un exemplaire des normes des codes ci-dessus, contacter :

National Fire Protection Association
1 Batterymarch Park
Quincy, MA 02169-7471
CSA International
8501 East Pleasant Valley Road
Cleveland, OH 44131-5575

- L'appareil doit être alimenté par un circuit de 120 V CA seulement, 60 Hz, 15 ampères, protégé par fusible.

- Si le domicile possède un câblage en aluminium, suivre la procédure ci-dessous :

1. Raccorder une section de câble en cuivre massif aux conducteurs en queue de cochon.
2. Connecter le câblage en aluminium à la section ajoutée de câblage en cuivre en utilisant des connecteurs et/ou des outils spécialement conçus et homologués UL pour fixer le cuivre à l'aluminium.

Suivre la procédure recommandée par le fabricant de connecteurs électriques. Les raccordements aluminium/cuivre doivent satisfaire aux prescriptions des codes locaux et de l'industrie, et être conformes aux pratiques de câblage reconnues.

- Le calibre des conducteurs et les connexions doivent être compatibles avec les caractéristiques électriques de l'appareil spécifiées sur la plaque signalétique. La plaque signalétique de l'appareil est située derrière le filtre, sur la paroi arrière de la hotte.
- Le calibre des conducteurs doit être conforme aux exigences du National Electrical Code, de la plus récente édition de la norme ANSI/NFPA 70 ou des normes CSA C22. 1-94, Code canadien de l'électricité, partie 1 et C22.2 n° 0-M91 (édition la plus récente) et de tous les codes et règlements en vigueur.

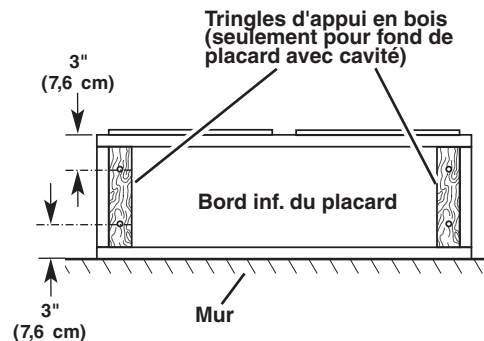
INSTRUCTIONS D'INSTALLATION

Préparation de l'emplacement

- Il est recommandé d'installer le conduit de décharge avant de procéder à l'installation de la hotte.
 - Si l'on installe un dossier ou un cache-conduit pleine largeur (facultatifs), suivre les instructions fournies avec ce produit.
 - Avant d'exécuter les découpages, vérifier la disponibilité d'un dégagement suffisant dans le plafond ou le mur pour le conduit d'évacuation.
 - Avant de sélectionner la hotte à installer, mesurer la hauteur libre sous plafond et la hauteur maximum disponible sous la hotte.
1. Déconnecter la source de courant électrique.
 2. Déterminer la méthode d'évacuation à utiliser : décharge à travers le mur ou le toit, ou recyclage.
 3. Sélectionner une surface plane pour l'assemblage de la hotte. Placer le matériau de protection sur cette surface.

Pour les installations sur des placards

1. Si le fond du placard forme une cavité, ajouter des tringles d'appui en bois de chaque côté. Installer les vis pour fixer les tringles d'appui aux emplacements indiqués.



⚠ AVERTISSEMENT

Risque du poids excessif

Utiliser deux ou plus de personnes pour déplacer et installer la hotte de la cuisinière.

Le non-respect de cette instruction peut causer une blessure au dos ou d'autre blessure.

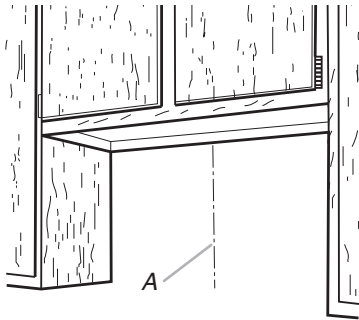
4. À l'aide de deux personnes ou plus, soulever la hotte et la poser sur la surface couverte.

REMARQUE : Cette hotte de cuisine peut être montée sur des placards ou sur le mur.

Déterminer l'emplacement du trou de passage du câble

Percer seulement un trou de passage de 1¼" (3,2 cm) de diamètre pour le câblage. Voir l'étape 2 pour des instructions sur l'emplacement du trou de passage du câblage.

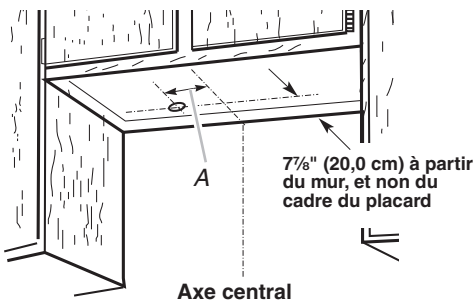
1. Déterminer et tracer l'axe central vertical sur le mur et le placard dans la zone où le passage du conduit d'évacuation sera réalisé.



A. Axe central

2. Câblage à travers le sommet du placard :

Tracer une ligne à distance "A" à gauche de l'axe central, sur la face inférieure du placard. Sur cette ligne, marquer le point situé à 7⅞" (20,0 cm) du mur arrière. Percer en ce point un trou de 1¼" (3,2 cm) de diamètre à travers le placard.



A. 12⅜" (31,0 cm)

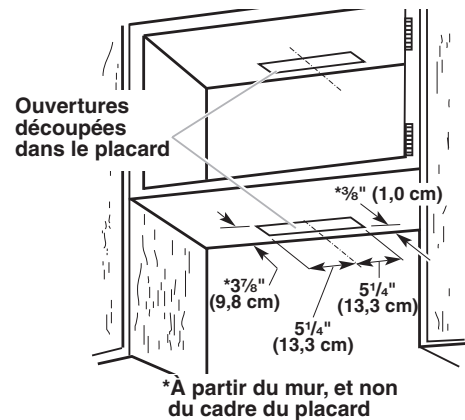
Découpage d'ouverture pour un système d'évacuation rectangulaire de 3¼" x 10" (8,3 cm x 25,4 cm)

Décharge à travers le toit

Découpage d'une ouverture rectangulaire de 3½" x 10½" (8,9 cm x 26,7 cm) dans le fond et le sommet de la face inférieure du placard :

1. Tracer des lignes à ⅜" (1,0 cm) et 3⅞" (9,8 cm) du mur arrière, sur l'axe central de la face inférieure du placard.
2. Tracer des lignes à 5¼" (13,3 cm) de part et d'autre de l'axe central sur la face inférieure du placard.
3. Utiliser une scie sauteuse ou une scie à guichet pour découper l'ouverture rectangulaire pour le passage du conduit d'évacuation.

4. Répéter les étapes 1 à 3 pour la face inférieure du sommet du placard.



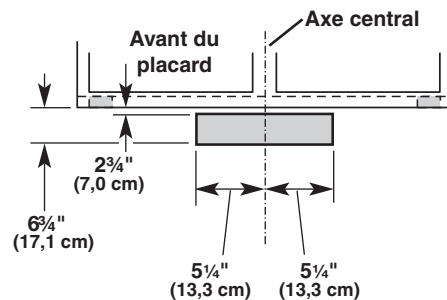
*A partir du mur, et non du cadre du placard

Décharge à travers le mur sous un placard

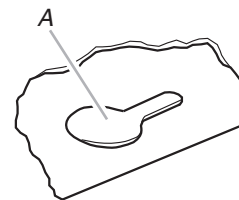
Découpage d'une ouverture rectangulaire de 3½" x 10½" (8,9 cm x 26,7 cm) dans le mur :

1. Mesurer 2 lignes de ⅜" (9,5 mm) et 3⅞" (9,8 cm) en descendant à partir de la face inférieure du placard et marquer leur emplacement sur l'axe central du mur arrière.
2. Tracer des lignes à 5¼" (13,3 cm) de part et d'autre de l'axe central sur le mur.

Utiliser une scie sauteuse ou une scie à guichet pour découper l'ouverture rectangulaire du système d'évacuation dans le mur.



3. Soulever la hotte sous le placard et déterminer sa position d'installation finale en la centrant sous le placard. Sur la face inférieure du placard, marquer l'emplacement des 4 trous de montage sur la hotte. Placer la hotte à part sur une surface couverte.



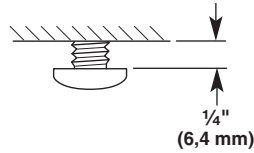
A. Trou en forme de serrure

4. À l'aide d'un foret de ⅛" (3 mm), percer 4 avant-trous tel qu'illustré.

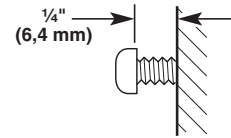


A. Perçage des avant-trous.

- Installer les 4 vis de montage 4,5 x 13 mm dans les avant-trous. Laisser un espace d'environ $\frac{1}{4}$ " (6,4 cm) entre les têtes des vis et le placard pour faire glisser la hotte et la mettre en place.

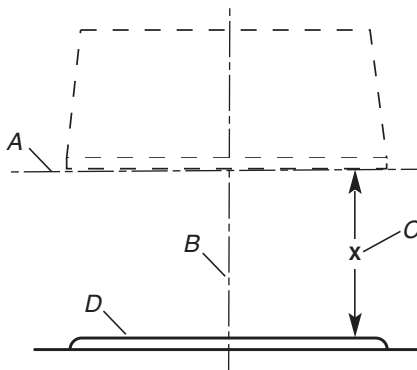


- Installer les 2 vis de montage de 5 x 45 mm. Laisser un espace de $\frac{1}{4}$ " (6,4 mm) entre le mur et l'arrière de la tête de vis pour faire glisser la hotte et la mettre en place.



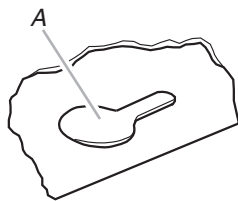
Installations murales :

- Déterminer et marquer la position de l'axe central sur le mur où la hotte sera installée.
- Choisir une hauteur de montage comprise entre un minimum de 30" (76,2 cm) et un maximum suggéré de 36" (91,4 cm) au-dessus de la cuisinière et du bas de la hotte. Marquer la ligne de repérage sur le mur.
- À l'aide d'au moins deux personnes, centrer la hotte sur l'axe de montage vertical, puis aligner le bas de la hotte avec la ligne en pointillés verticale marquée sur le mur.



A. Ligne en pointillés horizontale
B. Ligne de montage verticale
C. Hauteur de montage
D. Table de cuisson

- Marquer le centre des trous des organes de fixation. Placer la hotte à part sur une surface couverte.



A. Trou en forme de serrure

IMPORTANT : Toutes les vis doivent être vissées dans du bois. Si l'on ne peut pas visser la vis dans du bois, des tasseaux supplémentaires pour accrochage mural seront peut-être nécessaires.

- Percer des avant-trous de $\frac{3}{16}$ " (4,8 mm) à tous les emplacements pour la pose des vis dans du bois.



A. Perçage des avant-trous.

- Déterminer et marquer toutes les lignes de découpage nécessaires sur le mur ou le plafond pour le passage du circuit d'évacuation. Installer le système d'évacuation avant la hotte. Voir la section "Exigences concernant l'évacuation".

Achever la préparation

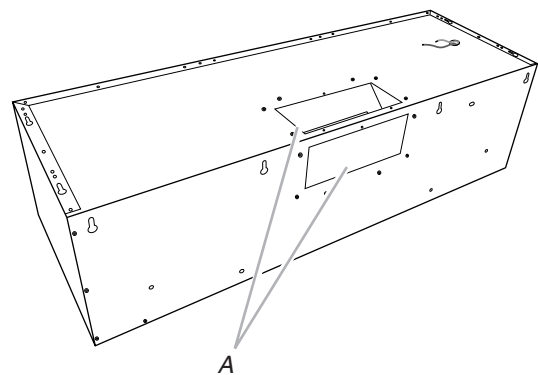
- Déterminer la hauteur appropriée pour le cordon d'alimentation du domicile et percer un trou de $\frac{1}{4}$ " (3,2 cm) à cet endroit.
- Acheminer le câble d'alimentation du domicile selon les prescriptions du Code national de l'électricité, des normes CSA ou des codes et règlements locaux. Il faut que la longueur du conduit de $\frac{1}{2}$ " et des conducteurs soit suffisante depuis le tableau de distribution (avec fusibles ou disjoncteurs) pour réaliser facilement le raccordement dans le boîtier de connexion de la hotte.

REMARQUE : Ne pas mettre le système sous tension avant d'avoir complètement terminé l'installation.

- Retirer le couvercle du boîtier de connexion et le mettre de côté.
- Ôter l'opercule arrachable du sommet de la hotte et installer un serre-câble de $\frac{1}{2}$ " (homologation UL ou CSA).

Installation de la hotte

- Ôter les filtres à graisse. Voir la section "Entretien de la hotte".
- Selon votre installation, retirer l'opercule rectangulaire supérieur ou arrière du conduit d'évacuation. Si l'on utilise un conduit d'évacuation rond, retirer l'opercule arrachable rectangulaire supérieur.



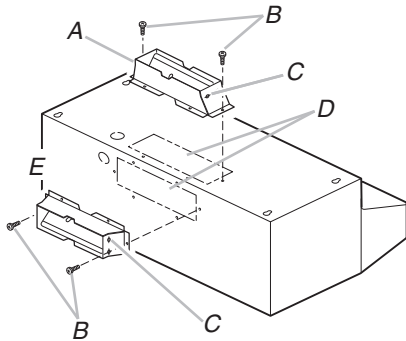
A. Opercules arrachables du conduit d'évacuation

Veiller à ce que le pivot du clapet soit le plus proche possible du bord supérieur/arrière de la hotte.

3. Enlever le ruban adhésif du volet du clapet.

REMARQUE : On peut installer le clapet anti-reflux rectangulaire de 3¼" x 10" (8,3 x 25,4) jusqu'à 1" (2,5 cm) de chaque côté du centre de la hotte pour pouvoir installer les conduits décentrés.

4. Fixer le connecteur de conduit rectangulaire de 3¼" x 10" (8,3 x 25,4 cm) à la hotte d'évacuation à l'aide de vis de tôlerie.



- A. Évacuation supérieure
- B. Vis de tôlerie
- C. Axe de charnière
- D. Opercules arrachables du conduit d'évacuation
- E. Évacuation arrière

REMARQUE : Si la bouche de décharge murale est derrière le connecteur de conduit rectangulaire, vérifier que le clapet anti-reflux et la bouche de décharge murale n'interfèrent pas entre eux. Retirer le clapet du connecteur de conduit rectangulaire de 3¼" x 10" (8,3 x 25,4 cm) s'ils interfèrent.

5. À l'aide d'au moins deux personnes, soulever la hotte et la placer à son emplacement final. Insérer suffisamment de câble électrique à travers le serre-câble de ½" (homologation UL ou CSA) pour établir les connexions avec le boîtier de connexion. Serrer les vis du serre-câble.
6. Positionner les trous allongés de la hotte par-dessus la tête des vis de montage. Puis pousser la hotte vers le mur (pour un montage sous un placard) ou laisser glisser la hotte jusqu'à la hauteur de montage marquée (pour un montage sur le mur) pour que les vis soient dans la partie étroite des trous de fixation des vis. Serrer les vis de montage en s'assurant que les vis sont dans la partie étroite des trous de fixation des vis. (Pour un montage sur le mur, vérifier l'aplomb de la hotte).
7. Raccorder le circuit d'évacuation à la hotte. Assurer l'étanchéité des jointures avec des brides pour conduits.
8. Vérifier que les clapets anti-retour fonctionnent correctement.

Raccordement électrique

⚠ AVERTISSEMENT



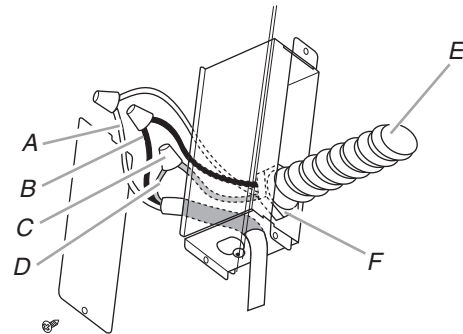
Risque de choc électrique

Déconnecter la source de courant électrique avant l'entretien.

Replacer pièces et panneaux avant de faire la remise en marche.

Le non-respect de ces instructions peut causer un décès ou un choc électrique.

1. Déconnecter la source de courant électrique.



- A. Conducteurs blancs
- B. Conducteurs noirs
- C. Connecteur de fils (homologation UL)
- D. Conducteurs verts (ou nus) ou verts-jaunes de liaison à la terre
- E. Câble d'alimentation électrique du domicile
- F. Serre-câble de ½" (homologation UL ou CSA)

2. Connecter ensemble les conducteurs blancs (A) à l'aide de connecteurs de fils (homologation UL).
3. Connecter ensemble les conducteurs noirs (B) à l'aide de connecteurs de fils (homologation UL).

⚠ AVERTISSEMENT



Risque de choc électrique

Relier le ventilateur à la terre.

Brancher le fil relié à la terre au fil vert et jaune relié à la terre dans la boîte de la borne.

Le non-respect de ces instructions peut causer un décès ou un choc électrique.

- À l'aide des connecteurs de fils (homologation UL), connecter le conducteur de liaison à la terre vert (ou nu) du câble d'alimentation du domicile à la vis verte-jaune de liaison à la terre (C) dans le boîtier de connexion.

- Installer le couvercle du boîtier de connexion.
- Vérifier que toutes les ampoules d'éclairage sont bien fixées dans leur douille.
- Reconnecter la source de courant électrique.

Installation des cache-conduits (facultatif)

Si l'on installe un cache-conduit facultatif pleine largeur, suivre les instructions fournies avec ce produit.

Achever l'installation

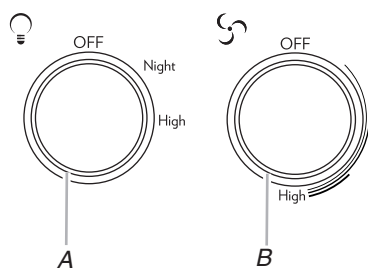
- Installer les filtres à graisse métalliques. Voir la section "Entretien de la hotte".
- Contrôler le fonctionnement du ventilateur de la hotte et de la lampe. Voir la section "Utilisation de la hotte".

REMARQUE : Pour pouvoir tirer le plus grand parti de la nouvelle hotte de cuisinière, lire la section "Utilisation de la hotte".

UTILISATION DE LA HOTTE

La hotte de cuisinière est conçue pour extraire fumée, vapeurs de cuisson et odeurs de la zone de la table de cuisson. Pour obtenir les meilleurs résultats, mettre le ventilateur de la hotte en marche avant d'entreprendre une cuisson, et laisser le ventilateur fonctionner pendant plusieurs minutes après l'achèvement d'une cuisson pour pouvoir évacuer de la cuisine toute trace d'odeur de cuisson, vapeur ou fumée.

Les commandes de la hotte sont situées sous celle-ci, du côté droit.



A. Commande de la lampe à halogène
B. Commande du ventilateur

Commandes de la hotte de cuisinière

Pour faire fonctionner les lampes

- Placer le commutateur d'éclairage à la position Night (nuit) pour utiliser les lampes de la hotte comme veilleuses.
- Placer le commutateur d'éclairage à la position High (haut) pour allumer la lumière de la hotte.
- Placer le commutateur d'éclairage à la position Off (arrêt) pour éteindre les lumières de la hotte.

Utilisation du ventilateur

- Placer le commutateur du ventilateur à la première position pour placer la hotte sur Low (bas).
- Placer le commutateur du ventilateur à la seconde position pour placer la hotte sur Medium (moyen).
- Placer le commutateur du ventilateur à la troisième position pour placer la hotte sur Medium-High (moyen-haut).
- Placer le commutateur du ventilateur à la position High (haut) pour placer la hotte sur High (haut).
- Placer le commutateur du ventilateur à la position Off (arrêt) pour éteindre le ventilateur de la hotte.

ENTRETIEN DE LA HOTTE

Nettoyage

IMPORTANT : Nettoyer fréquemment la hotte et les filtres à graisse en suivant les instructions suivantes. Réinstaller les filtres à graisse avant de faire fonctionner la hotte.

Surfaces externes :

Afin d'éviter d'endommager la surface externe, ne pas utiliser de tampons en laine d'acier ou de tampons à récurer savonneux.

Toujours essuyer pour éviter de laisser des marques d'eau.

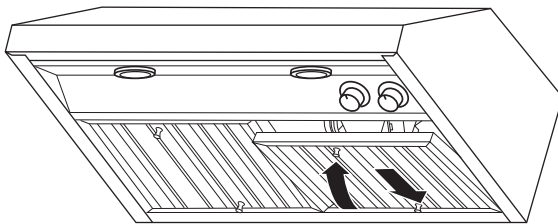
Méthode de nettoyage :

- Savon détergent liquide et eau, ou produit de nettoyage polyvalent.
- Frotter avec un chiffon doux humide ou une éponge non abrasive, puis rincer avec de l'eau propre et essuyer.

Filtre à graisse métallique

Dépose des filtres à graisse métalliques

1. Employer les deux mains pour retirer les filtres. Saisir les poignées du filtre, tirer vers l'arrière de la hotte et tirer sur la poignée avant pour retirer le filtre.



2. Répéter pour chaque filtre à graisse.
3. Laver les filtres métalliques autant que nécessaire au lave-vaisselle ou à la main dans une solution de détergent chaude pour les nettoyer.

Réinstallation des filtres à graisse métalliques :

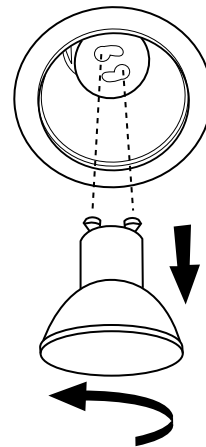
1. Saisir les poignées du filtre et insérer l'arrière du filtre dans la rainure arrière.
2. Tirer sur la poignée arrière et insérer le devant du filtre à graisse dans la rainure avant et bien fixer.
3. Répéter pour chaque filtre.

Remplacement d'une lampe à halogène

Interrompre l'alimentation de la hotte; attendre le refroidissement de la lampe à halogène. Pour éviter d'endommager ou de réduire la longévité de l'ampoule neuve, ne pas toucher l'ampoule avec les doigts nus. Remplacer l'ampoule en la manipulant avec un mouchoir de papier ou des gants de coton.

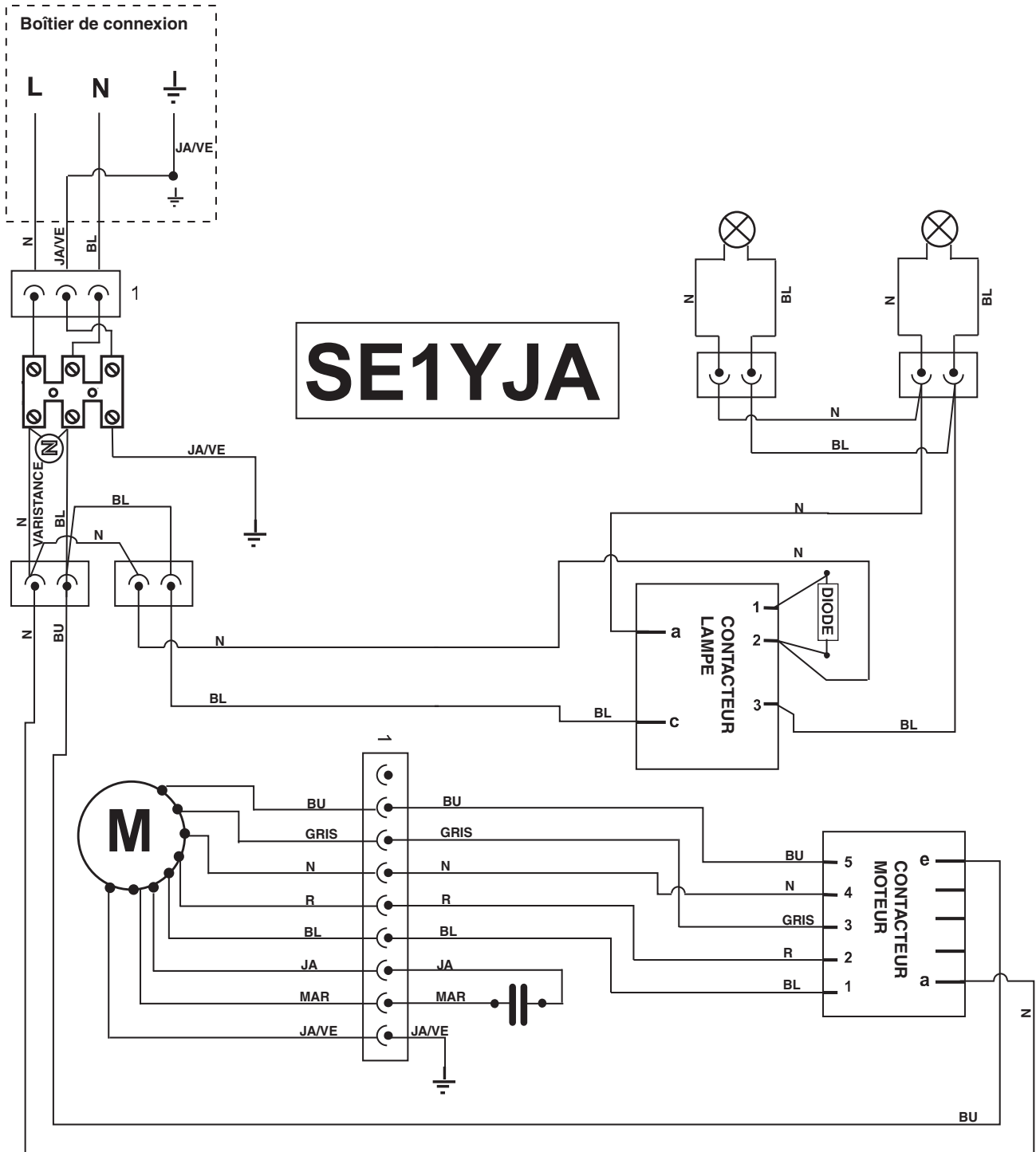
Si les nouvelles lampes ne fonctionnent pas, vérifier que chaque lampe est correctement insérée dans sa douille avant de demander l'intervention d'un dépanneur.

1. Déconnecter la source de courant électrique.
2. Pousser la plaque de verre vers le haut et la tourner dans le sens antihoraire.



3. Retirer l'ampoule et la remplacer par une ampoule halogène de 120 volts, 50 watts maximum avec culot GU10. La tourner dans le sens horaire pour l'emboîter.
4. Répéter les étapes 2 à 3 pour l'autre ampoule, si nécessaire.
5. Reconnecter la source de courant électrique.

SCHÉMA DE CÂBLAGE



ASSISTANCE OU SERVICE

Si vous avez besoin de service

Consulter la page de garantie du présent manuel.

Si vous avez besoin de pièces de rechange

Si vous avez besoin de commander des pièces de rechange, nous vous recommandons d'utiliser seulement des pièces spécifiées par l'usine. Les pièces spécifiées par l'usine conviendront et fonctionneront bien car elles sont fabriquées avec la même précision que celles utilisées pour fabriquer chaque nouvel appareil.

Pour localiser des pièces spécifiées par l'usine dans votre région, composer le numéro de téléphone d'aide à la clientèle suivant ou appeler le centre de service désigné le plus proche.

Au Canada

Téléphoner sans frais au Centre pour l'eXpérience de la clientèle Whirlpool Canada LP au **1-800-JENN-AIR (1-800-536-6247)** ou visiter notre site Internet sur **www.jennair.ca**.

Nos consultants peuvent vous aider sur les points suivants :

- Appeler pour demander une intervention de dépannage. Les techniciens de service désignés par Jenn-Air® sont formés pour remplir la garantie des produits et fournir un service après la garantie, partout au Canada.
- Caractéristiques et spécifications de notre gamme complète d'appareils ménagers.
- Références aux concessionnaires locaux Jenn-Air®.
- Renseignements pour l'installation.
- Procédés d'utilisation et d'entretien.
- Vente d'accessoires et de pièces de rechange.

Pour de l'aide supplémentaire

Si vous avez besoin d'aide supplémentaire, vous pouvez écrire à Jenn-Air® Appliances en soumettant toute question ou problème à :

Jenn-Air Brand Home Appliances
Customer eXperience Centre
200 - 6750 Century Ave.
Mississauga, Ontario L5N 0B7

Veillez indiquer dans votre correspondance un numéro de téléphone où l'on peut vous joindre dans la journée.

Accessoires

Dosseret avec tablettes

Commander la pièce numéro W10285447 pour modèle 30" (76,2 cm)

Commander la pièce numéro W10285448 pour modèle 36" (91,4 cm)

Dosseret sans tablettes

Commander la pièce numéro 8285148 pour modèle de 30" (76,2 cm)

Commander la pièce numéro 8284756 pour modèle de 36" (91,4 cm)

Cache-cheminée pleine largeur

Commander la pièce numéro W10272079 pour modèle 30" (76,2 cm)

Commander la pièce numéro W10272080 pour modèle 36" (91,4 cm)

GARANTIE LIMITÉE DES GROS APPAREILS MÉNAGERS JENN-AIR®

ATTACHEZ ICI VOTRE REÇU DE VENTE. UNE PREUVE D'ACHAT EST OBLIGATOIRE POUR OBTENIR L'APPLICATION DE LA GARANTIE.

Lorsque vous appelez le centre d'eXpérience de la clientèle, veuillez garder à disposition les renseignements suivants :

- Nom, adresse et numéro de téléphone
- Numéros de modèle et de série
- Une description claire et détaillée du problème rencontré
- Une preuve d'achat incluant le nom et l'adresse du marchand ou du détaillant

SI VOUS AVEZ BESOIN DE SERVICE :

1. Avant de nous contacter pour obtenir un dépannage, veuillez déterminer si des réparations sont nécessaires pour votre produit. Certains problèmes peuvent être résolus sans intervention de dépannage. Prenez quelques minutes pour parcourir la section Dépannage ou Résolution de problèmes du guide d'utilisation et d'entretien, numérisé le code 2D ci-contre avec votre téléphone intelligent pour accéder à des ressources supplémentaires, ou rendez-vous sur le site <http://www.jennair.ca>.
2. Tout service sous garantie doit être effectué exclusivement par nos fournisseurs de dépannage autorisés Jenn-Air. Aux E.-U. et au Canada, dirigez toutes vos demandes de service sous garantie au

Centre d'eXpérience de la clientèle Jenn-Air
1-800-JENNAIR (1-800-536-6247)



<http://www.jennair.ca>

Si vous résidez à l'extérieur du Canada et des 50 États des États-Unis, contactez votre marchand Jenn-Air autorisé pour déterminer si une autre garantie s'applique.

GARANTIE LIMITÉE DE DEUX ANS

CE QUI EST COUVERT

Pendant deux ans à compter de la date d'achat, lorsque ce gros appareil ménager est installé, utilisé et entretenu conformément aux instructions jointes à ou fournies avec le produit, la marque Jenn-Air de Whirlpool Corporation ou Whirlpool Canada, LP (ci-après désignées "Jenn-Air") décidera à sa seule discrétion de remplacer le produit ou de couvrir le coût des pièces spécifiées par l'usine et de la main-d'œuvre nécessaires pour corriger les vices de matériaux ou de fabrication qui existaient déjà lorsque ce gros appareil ménager a été acheté. S'il est remplacé, l'appareil sera couvert pour la période restant à courir de la garantie limitée d'un an du produit d'origine.

LE SEUL ET EXCLUSIF RECOURS DU CLIENT DANS LE CADRE DE LA PRÉSENTE GARANTIE LIMITÉE CONSISTE EN LA RÉPARATION PRÉVUE PAR LA PRÉSENTE. Le service doit être fourni par une compagnie de service désignée par Jenn-Air. Cette garantie limitée est valide uniquement aux États-Unis ou au Canada et s'applique exclusivement lorsque le gros appareil ménager est utilisé dans le pays où il a été acheté. La présente garantie limitée est valable à compter de la date d'achat initial par le consommateur. Une preuve de la date d'achat initial est exigée pour obtenir un dépannage dans le cadre de la présente garantie limitée.

CE QUI N'EST PAS COUVERT

1. Usage commercial, non résidentiel ou par plusieurs familles, ou non-respect des instructions de l'utilisateur, de l'opérateur ou des instructions d'installation.
2. Visite d'instruction à domicile pour montrer à l'utilisateur comment utiliser l'appareil.
3. Visites de service pour rectifier une installation ou un entretien fautifs du produit, une installation non conforme aux codes d'électricité ou de plomberie, ou la rectification de l'installation électrique ou de la plomberie du domicile (ex : câblage électrique, fusibles ou tuyaux d'arrivée d'eau du domicile).
4. Pièces consommables (ex : ampoules, batteries, filtres à air ou à eau, solutions de conservation, etc.).
5. Défauts ou dommage résultant de l'utilisation de pièces ou accessoires Jenn-Air non authentiques.
6. Conversion de votre produit du gaz naturel ou du gaz de pétrole liquéfié.
7. Dommages causés par : accident, mésusage, abus, incendie, inondations, catastrophe naturelle ou l'utilisation de produits non approuvés par Jenn-Air.
8. Réparations aux pièces ou systèmes dans le but de rectifier un dommage ou des défauts résultant d'une réparation, altération ou modification non autorisée faite à l'appareil.
9. Défauts d'apparence, notamment les éraflures, traces de choc, fissures ou tout autre dommage causés au fini de l'appareil ménager, à moins que ces dommages ne résultent de vices de matériaux ou de fabrication et ne soient signalés à Jenn-Air dans les 30 jours suivant la date d'achat.
10. Décoloration, rouille ou oxydation des surfaces résultant d'environnements caustiques ou corrosifs incluant des concentrations élevées de sel, un haut degré d'humidité ou une exposition à des produits chimiques.
11. Perte d'aliments ou de médicaments due à la défaillance du produit.
12. Enlèvement ou livraison. Ce produit est conçu pour être réparé au domicile.
13. Frais de déplacement et de transport pour le dépannage/la réparation dans une région éloignée où une compagnie de service Jenn-Air autorisée n'est pas disponible.
14. Retrait ou réinstallation d'appareils inaccessibles ou de dispositifs préinstallés (ex : garnitures, panneaux décoratifs, plancher, meubles, îlots de cuisine, plans de travail, panneaux de gypse, etc.) qui entravent le dépannage, le retrait ou le remplacement du produit.
15. Service et pièces pour des appareils dont les numéros de série

Le coût d'une réparation ou d'un remplacement dans le cadre de ces circonstances exclues est à la charge du client.

CLAUSE D'EXONÉRATION DE RESPONSABILITÉ AU TITRE DES GARANTIES IMPLICITES

LES GARANTIES IMPLICITES, Y COMPRIS LES GARANTIES APPLICABLES DE QUALITÉ MARCHANDE OU D'APTITUDE À UN USAGE PARTICULIER, SONT LIMITÉES À UN AN OU À LA PLUS COURTE PÉRIODE AUTORISÉE PAR LA LOI. Certains états et provinces ne permettent pas de limitation sur la durée des garanties implicites de qualité marchande ou d'aptitude à un usage particulier, de sorte que la limitation ci-dessus peut ne pas être applicable dans votre cas. Cette garantie vous confère des droits juridiques spécifiques et vous pouvez également jouir d'autres droits qui peuvent varier d'une juridiction à l'autre.

EXONÉRATION DE RESPONSABILITÉ DANS LES DOMAINES NON COUVERTS PAR LA GARANTIE

Jenn-Air décline toute responsabilité au titre de la qualité, de la durabilité ou en cas de dépannage ou de réparation nécessaire sur ce gros appareil ménager autre que les responsabilités énoncées dans la présente garantie. Si vous souhaitez une garantie plus étendue ou plus complète que la garantie limitée fournie avec ce gros appareil ménager, adressez-vous à Jenn-Air ou à votre détaillant pour obtenir les modalités d'achat d'une garantie étendue.

LIMITATION DES RECOURS; EXCLUSION DES DOMMAGES FORTUITS OU INDIRECTS

LE SEUL ET EXCLUSIF RECOURS DU CLIENT DANS LE CADRE DE LA PRÉSENTE GARANTIE LIMITÉE CONSISTE EN LA RÉPARATION PRÉVUE PAR LA PRÉSENTE. JENN-AIR N'ASSUME AUCUNE RESPONSABILITÉ POUR LES DOMMAGES FORTUITS OU INDIRECTS. Certains états et certaines provinces ne permettent pas l'exclusion ou la limitation des dommages fortuits ou indirects de sorte que ces limitations et exclusions peuvent ne pas être applicables dans votre cas. Cette garantie vous confère des droits juridiques spécifiques et vous pouvez également jouir d'autres droits qui peuvent varier d'une juridiction à l'autre.