

INSTALLATION INSTRUCTIONS 27" (68.6 CM) AND 30" (76.2 CM) ELECTRIC MICROWAVE/OVEN COMBINATION FLUSH INSTALLATION KIT

INSTRUCTIONS D'INSTALLATION POUR TROUSSE D'INSTALLATION EN AFFLEUREMENT D'UN ENSEMBLE FOUR À MICRO-ONDES ÉLECTRIQUE/FOUR DE 27" (68,6 CM) ET 30" (76,2 CM)

Flush Installation Kit Part Number Ensemble d'installation en affleurement référence	Size and Color Dimensions et couleur	UL Listed for Model Numbers Homologation UL pour les modèles numéro
W10752695	27" (68.6 cm), black 27" (66,6 cm), noir	KOCE507EBL
W10752694	27" (68.6 cm), white 27" (68,6 cm), blanc	KOCE507EWH
W10752696	27" (68.6 cm), stainless steel 27" (68,6 cm), acier inoxydable	KOCE507ESS
W10752688	30" (76.2 cm), black 30" (76,2 cm), noir	KOCE500EBL
W10752691	30" (76.2 cm), black stainless 30" (76,2 cm), noir inoxydable	KOCE500EBS
W10752687	30" (76.2 cm), white 30" (76,2 cm), blanc	KOCE500EWH
W10752693	30" (76.2 cm), stainless steel 30" (76,2 cm), acier inoxydable	KOCE500ESS

Table of Contents/Table des matières

BUILT-IN OVEN SAFETY 2	SÉCURITÉ DU FOUR ENCASTRÉ 9
INSTALLATION REQUIREMENTS 2	EXIGENCES D'INSTALLATION 9
Tools and Parts 2	Outillage et pièces 9
Location Requirements 2	Exigences d'emplacement 9
INSTALLATION INSTRUCTIONS 4	INSTRUCTIONS D'INSTALLATION 11
Prepare Built-In Microwave/Oven Combination 4	Préparation de l'ensemble des fours encastrés (micro-ondes/four) 11
Remove Oven Door 4	Dépose de la porte(s) du four 11
Replace Oven Door 4	Réinstallation de la porte(s) du four 12
Positioning Oven Feet 5	Positionnement des pieds du four 13
Replace Plastic Spacers 6	Remplacement des cales d'espacement en plastique 14
Install Oven 7	Installation du four 14
Install Deflector Bracket 7	Installation du support de la trousse du déflecteur 15
Complete Installation 8	Achever l'installation 15

IMPORTANT:

Save for local electrical inspector's use.

IMPORTANT :

À conserver pour consultation par l'inspecteur local des installations électriques.

BUILT-IN OVEN SAFETY

Your safety and the safety of others are very important.

We have provided many important safety messages in this manual and on your appliance. Always read and obey all safety messages.



This is the safety alert symbol.

This symbol alerts you to potential hazards that can kill or hurt you and others.

All safety messages will follow the safety alert symbol and either the word "DANGER" or "WARNING."

These words mean:

DANGER

You can be killed or seriously injured if you don't immediately follow instructions.

WARNING

You can be killed or seriously injured if you don't follow instructions.

All safety messages will tell you what the potential hazard is, tell you how to reduce the chance of injury, and tell you what can happen if the instructions are not followed.

INSTALLATION REQUIREMENTS

Tools and Parts

Gather the required tools and parts before starting installation. Read and follow the instructions provided with any tools listed here.

Tools Needed

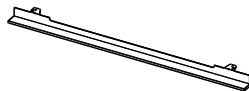
- Phillips screwdriver
- Measuring tape
- Drill (for wall cabinet installations)
- 1/8" (3 mm) drill bit (for wall cabinet installations)
- Level
- Flat-blade screwdriver

Parts Needed

- (4) #8-14 x 1" screws
- (2) #8-18 x 3/8" screws - bottom vent included with built-in oven
- Bottom vent included with built-in oven

Parts Supplied

- Deflector bracket



- (2) Plastic spacers



- #8-18 x 1/4" screws - (2) for 27" (68.6 cm) models); (4) for 30" (76.2 cm) models - deflector bracket
- (4) #8-18 x 3/8" screws - oven feet
- (2) feet
- (2) front feet

Location Requirements

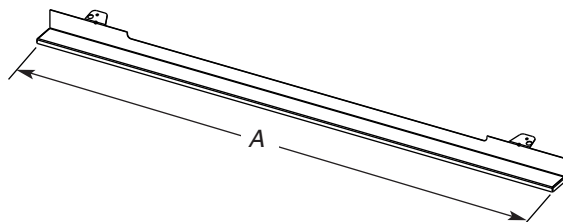
IMPORTANT: Observe all governing codes and ordinances.

NOTE: Refer to the following "Location Requirements" and the "Location Requirements" section of the Installation Instructions provided with your built-in oven.

- Cabinet opening dimensions that are shown must be used. Given dimensions provide minimum clearance for the oven.
- The recessed installation area must provide complete enclosure around the recessed portion of the oven.
- The oven support surface must be solid, level and flush with the bottom of the cabinet cutout.
- The floor must be able to support a total weight (microwave and built-in oven) of 208 lbs (95 kg) for 27" (68.6 cm) models or 249 lbs (113 kg) for 30" (76.2 cm) models.

IMPORTANT: To avoid damage to your cabinets, check with your builder or cabinet supplier to make sure that the materials used will not discolor, delaminate or sustain other damage. This oven has been designed in accordance with the requirements of UL and CSA International and complies with the maximum allowable wood cabinet temperatures of 194°F (90°C).

Deflector Bracket Dimensions



27" (68.6 cm) Models

A. 26 15/16" (68.4 cm) overall width

30" (76.2 cm) Models

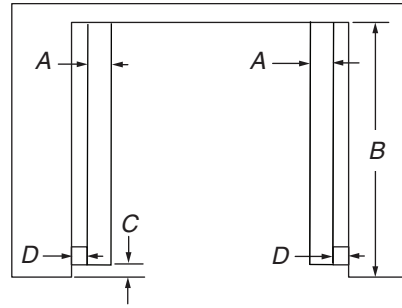
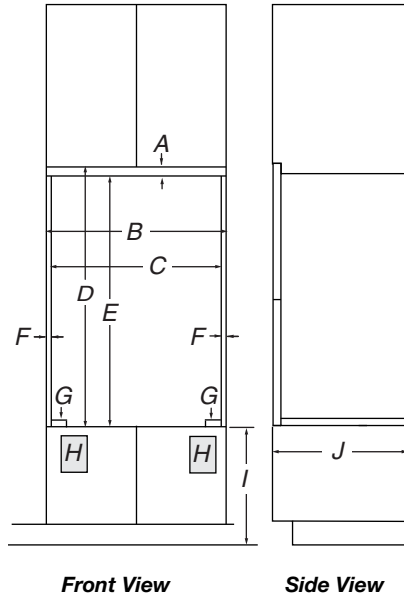
A. 29 15/16" (76.0 cm) overall width

Cabinet Dimensions - Flush Installations

A 25 $\frac{3}{8}$ " (64.4 cm) minimum cutout depth is required.

These dimensions will result in a $\frac{1}{4}$ " (6 mm) reveal on the top, a $\frac{1}{4}$ " (6 mm) reveal on the sides, and a $\frac{1}{8}$ " (3 mm) reveal on the bottom of the wall oven.

The front face of the cleats and platform will be visible and should be treated as a finished surface.



Top View

27" (68.6 cm) Models

- A. $\frac{1}{2}$ " x 2" (13 mm x 5.1 cm) spacer the entire depth of the cutout*
- B. 25 $\frac{3}{8}$ " (64.4 cm) depth of cutout
- C. 1 $\frac{3}{8}$ " (3.5 cm) recess from front of cabinet
- D. $\frac{1}{16}$ " (17 mm) side cleat*

30" (76.2 cm) Models

- A. $\frac{1}{2}$ " x 2" (13 mm x 5.1 cm) spacer the entire depth of the cutout*
- B. 25 $\frac{3}{8}$ " (64.4 cm) depth of cutout
- C. 1 $\frac{3}{8}$ " (3.5 cm) recess from front of cabinet
- D. $\frac{1}{16}$ " (17 mm) side cleat*

*Cleats and spacers must be recessed 1 $\frac{3}{8}$ " (3.5 cm) from the front of the cabinet.

27" (68.6 cm) Models

- A. $\frac{5}{8}$ " (16 mm) top cleat*
- B. 27 $\frac{1}{4}$ " (69.2 cm) minimum width of flush inset cutout
- C. 25 $\frac{3}{8}$ " (65.7 cm) minimum width of opening
- D. 43 $\frac{1}{8}$ " (109.5 cm) minimum height of flush inset cutout
- E. 42 $\frac{1}{2}$ " (107.9 cm) recommended cutout height
- F. $\frac{1}{16}$ " (17 mm) side cleat*
- G. $\frac{1}{2}$ " x 2" (13 mm x 5.1 cm) spacer the entire depth of the cutout*
- H. Recommended junction box location
- I. 4 $\frac{5}{8}$ " - 19 $\frac{1}{4}$ " (11.7 - 48.9 cm) bottom of cutout to floor
- J. 25 $\frac{3}{8}$ " (64.4 cm) minimum depth of cutout

30" (76.2 cm) Models

- A. $\frac{5}{8}$ " (16 mm) top cleat*
- B. 30 $\frac{1}{4}$ " (76.8 cm) minimum width of flush inset cutout
- C. 28 $\frac{7}{8}$ " (73.3 cm) minimum width of opening
- D. 43 $\frac{1}{8}$ " (109.5 cm) minimum height of flush inset cutout
- E. 42 $\frac{1}{2}$ " (107.9 cm) recommended cutout height
- F. $\frac{1}{16}$ " (17 mm) side cleat*
- G. $\frac{1}{2}$ " x 2" (13 mm x 5.1 cm) spacer the entire depth of the cutout*
- H. Recommended junction box location
- I. 4 $\frac{5}{8}$ " - 19 $\frac{1}{4}$ " (11.7 - 48.9 cm) bottom of cutout to floor
- J. 25 $\frac{3}{8}$ " (64.4 cm) minimum depth of cutout

*Cleats and spacers must be recessed 1 $\frac{3}{8}$ " (3.5 cm) from the front of the cabinet.

INSTALLATION INSTRUCTIONS

Prepare Built-In Microwave/Oven Combination

NOTES:

- Refer to the following “Installation Instructions” and the “Installation Instructions” section of the Installation Instructions provided with your built-in microwave/oven combination.
 - Refer and adhere to the “Electrical Requirements” section and complete the instructions in the “Make Electrical Connection” section of the Installation Instructions provided with your built-in microwave/oven combination.
1. Decide on the final location for the oven. Avoid drilling or cutting into house wiring during installation.

⚠ WARNING

Excessive Weight Hazard

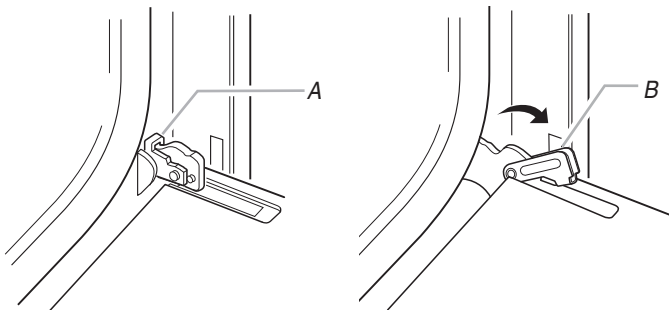
**Use two or more people to move and install oven.
Failure to do so can result in back or other injury.**

2. To avoid floor damage, set the oven on cardboard prior to installation. Do not use the handle or any portion of the front frame for lifting.
3. Remove the shipping materials and tape from the oven. Remember to keep the corner posts and other materials that may be needed for installation.
4. Remove the hardware package from inside the bag containing literature.
5. Move the oven and cardboard close to the oven’s final location.

Remove Oven Door

IMPORTANT: Use two hands to remove the oven door.

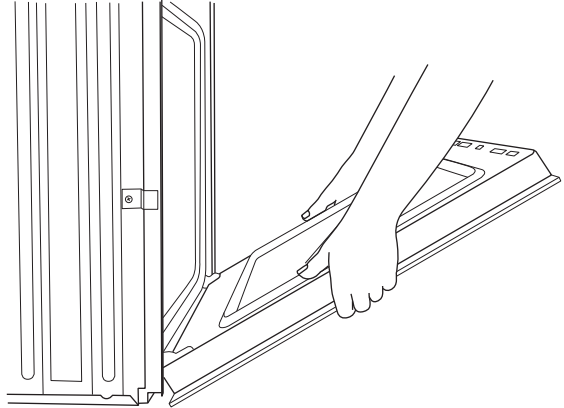
1. Prior to removing the oven door, prepare a surface where you will place it. This surface should be flat and covered with a soft blanket, or use the corner posts from your packaging material.
2. Open the oven door.
3. Locate the oven door hinge locks in both corners of the oven door, and rotate the hinge locks toward the oven door to the unlocked position. If the door hinge lock is not rotated fully (see illustration B), the door will not remove properly.



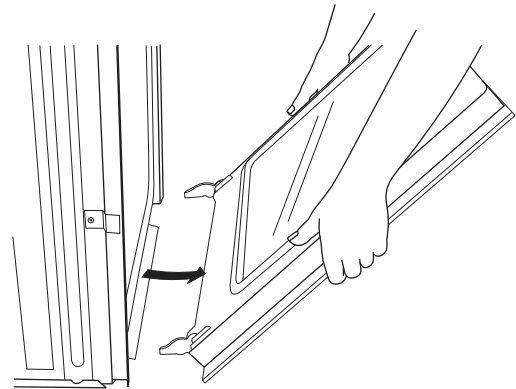
A. Oven door hinge lock in locked position

B. Oven door hinge lock in partially unlocked position

4. Partially close the door to engage the door latch locks. The door will stop at this point.



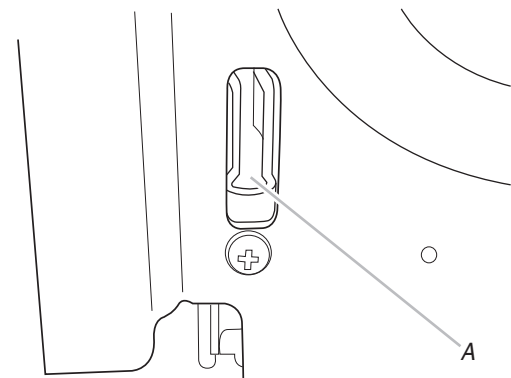
5. Using two hands, grasp the edges of the oven door. Lift and pull the oven door toward you and remove it. You may need to gently shift the door from side to side as you pull.



6. Set the oven door aside on the prepared covered work surface, with the oven door resting on its handle.
7. To continue with the oven installation, go to the “Positioning Oven Feet” section.

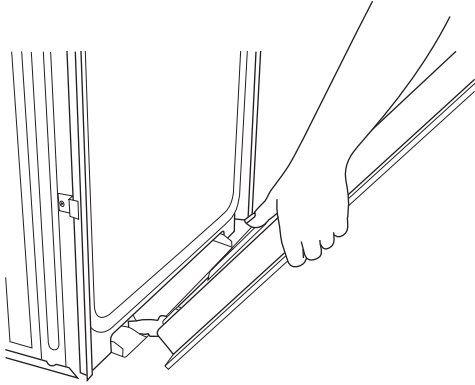
Replace Oven Door

1. Using two hands, grasp the side edges of the door at the midpoint. Face the oven cavity.
2. Locate the slots on each side of the oven cavity for the door hinge locks.



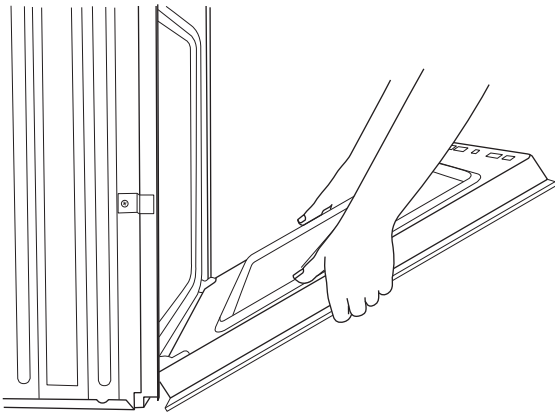
A. Slot in the oven cavity for door hinge lock

- At a 45° angle, align the door hinges with the slots in the lower front of the oven cavity. Slowly insert the door, making sure you maintain the 45° angle. You will know the door is engaged in the slot when you feel a slight drop.



- Lower the oven door to the fully open position. If the oven door does not open to a full 90°, repeat steps 1 through 3.
- Locate the oven door hinge locks in the corners of the oven door, and rotate the hinge locks toward the oven cavity to the locked position.

See Step 3 (illustration A) in the “Remove Oven Door” section for the proper locked position.



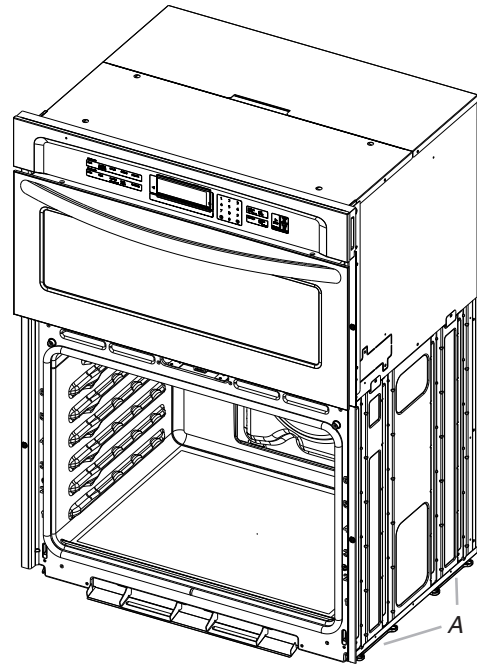
- Close the oven door.
- When the hinges are properly installed and the door is closed, there should be an even gap between the door and the control panel. If one side of the oven door is lower than the other, the hinge on that side is not properly installed.

Repeat the steps to remove and replace the oven door. See “Remove Oven Door” and “Replace Oven Door.”

Positioning Oven Feet

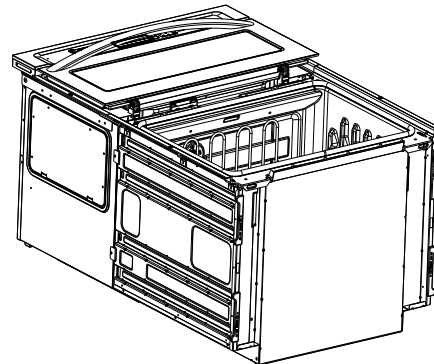
The oven feet need to be installed to allow a microwave/oven combination to be installed in a recommended cutout height of 42½" (107.9 cm).

NOTE: Do not remove the spacers.

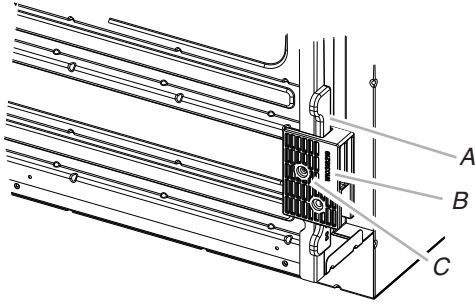


A. Spacers

- Using 2 or more people, place the oven on its back on a covered surface.

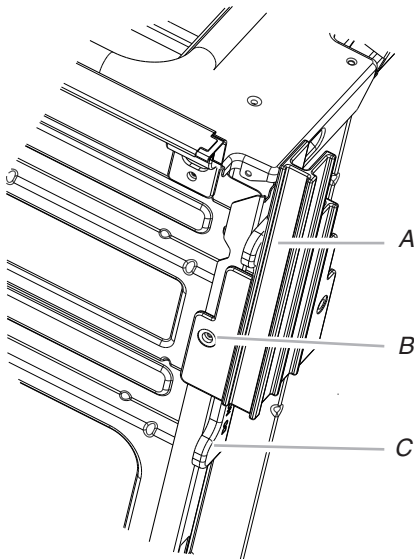


2. Install a foot on the left rear spacer using a #8-18 x 3/8" screw. **NOTE:** Position the foot so the long side of the foot is facing toward the top of the oven.



A. Spacer
B. Foot
C. #8-18 x 3/8" screw

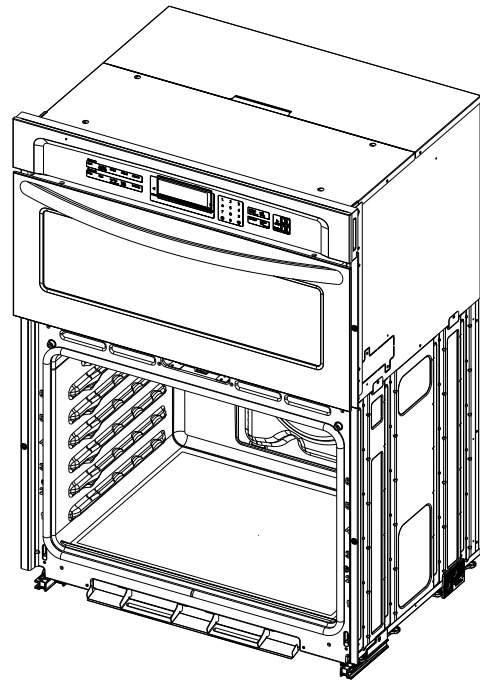
3. In the same manner, install a foot on the right rear of the oven.
4. Install a front foot on the left front spacer using a #8-18 x 3/8" screw. **NOTE:** Position the foot so the long side of the foot is facing toward the inside of the oven.



A. Front foot
B. #8-18 x 3/8" screw
C. Spacer

5. In the same manner, install a front foot on the right front of the oven.

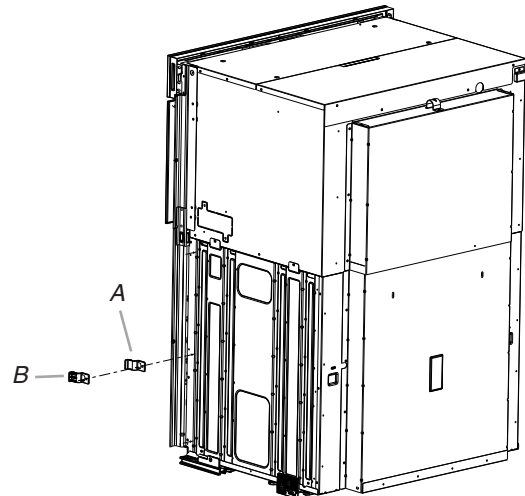
6. Using 2 or more people, place the oven in its upright position.



7. Go to the "Make Electrical Connection" section in the Installation Instructions provided with your built-in oven.

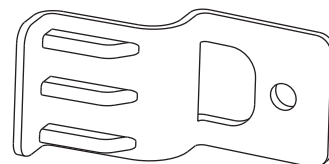
Replace Plastic Spacers

1. Remove the screw attaching the plastic spacer (A) to the right side of the oven.
2. Using the screw removed, install a new plastic spacer (B) provided with this kit.



A. Plastic spacer
B. New plastic spacer

3. In the same manner, remove and replace the plastic spacer on the left side of the oven.

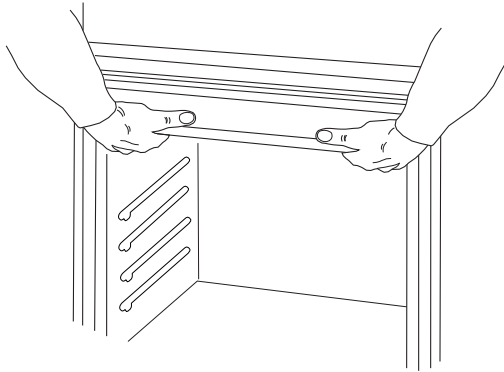


B. New plastic spacer

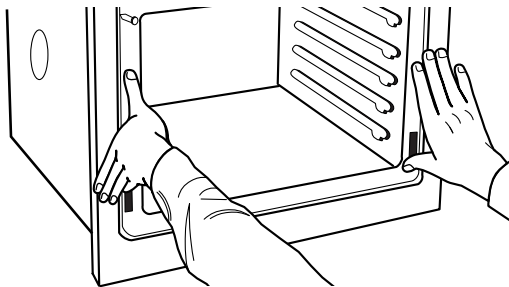
Install Oven

- Using 2 or more people, lift the oven partially into the cabinet cutout. Use the oven opening as an area to grip.

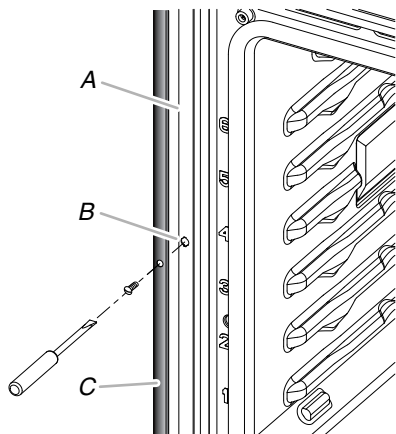
NOTE: When pushing the microwave oven into the cabinet, open the microwave oven door and push against the seal area on the front frame. Do not push against the outside edges.



- Push against the front frame of the microwave oven to push oven into cabinet.



- Push the microwave oven completely into the cabinet and center the microwave oven into the cabinet cutout.
- Remove the tape from the black front trim piece.
 - Securely fasten the oven to the cabinet using the #8-14 x 3/4" screws provided.
 - Insert the screws through the hole in the black trim piece, aligning with the hole in the oven frame. Do not overtighten the screws.



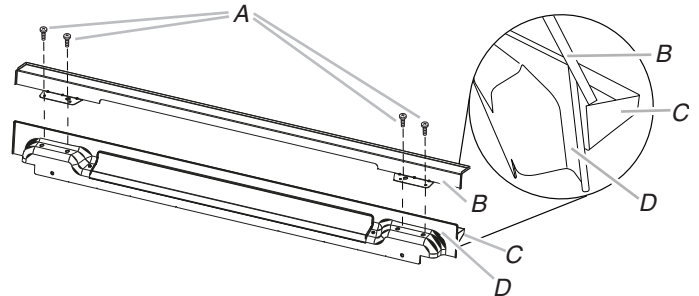
A. Oven Frame
B. Oven frame hole
C. Black trim piece

Install Deflector Kit Bracket

This assembly is required for use when a single or double built-in oven is installed in a flush installation.

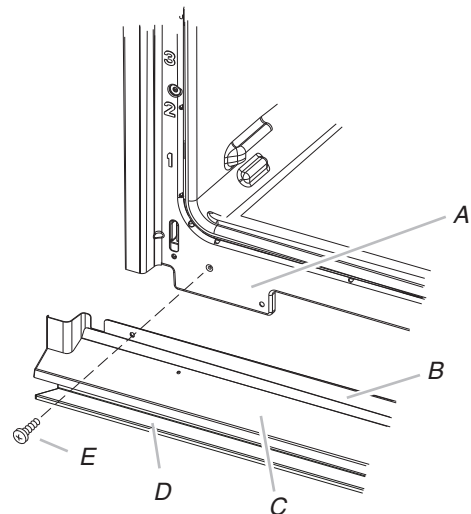
- Flex the upper vent piece (C) away from the lower vent piece (D) to slide the deflector bracket (B) between them. Some force may be required to flex the upper vent trim (C) away from the lower vent trim (D). Some force may also be required to flex the deflector bracket (B) and slide it into position. Make sure screw holes are properly aligned between the two pieces. See the following illustration.
- Install the deflector bracket (B) to the lower vent piece (D) using two #8-18 x 1/4" screws on each side.

NOTE: On 27" (68.6 cm) models, only one #8-18 x 1/4" screw is used on each side.



A. #8-18 x 1/4" screws
B. Deflector bracket
C. Upper vent piece (supplied with oven)
D. Lower vent piece (supplied with oven)

- Align vent tab (B) with oven frame (A) as shown.
- Using one #8-18 x 3/8" screw (E) on each side of the vent tab (B), fasten the vent securely to the oven.



A. Oven frame
B. Vent tab
C. Oven vent
D. Deflector bracket
E. #8-18 x 3/8" screw

- Replace the oven racks.
- Replace the oven door. See the "Replace Oven Door(s)" section.
- Check that the door is free to open and close. If it is not, repeat the removal and installation procedures. See the "Prepare Built-In Oven" section.

8. Reconnect power.
9. The display panel will light briefly, and “PF” should appear in the display.
10. If the display panel does not light, refer to the “Assistance or Service” section of the Use and Care Guide provided with your built-in oven or contact the dealer from whom you purchased your oven.

Complete Installation

1. Check that all parts are now installed. If there is an extra part, go back through the steps to see which step was skipped.
2. Check that you have all of your tools.
3. Dispose of/recycle all packaging materials.
4. For oven use and cleaning, read the Use and Care Guide.

Check Operation of Lower Oven

1. Turn on the power.
2. At first use, set up the clock and any other preferences, if available. For more information, read the Use and Care Guide.
3. Press BROIL.
4. Set the temperature.
5. Press START.

If oven does not operate, check the following:

- The household fuse is intact and tight; or the circuit breaker has not tripped.
 - The electrical supply is connected.
 - See the “Troubleshooting” section in the Use and Care Guide.
6. When the oven has been on for 5 minutes, feel for heat.
If you do not feel heat or if an error message appears in the display, turn the oven off and contact a qualified technician.
 7. Press CANCEL OVEN.

Check Operation of Microwave Oven

1. Fill a microwave-safe container with 1 cup (250 mL) of water and place the container inside the microwave oven. Close the door firmly.
2. Press COOK and set the microwave oven cook time to “2:00” minutes.
3. Press START. The interior microwave oven light should be on, and the remaining cooking time should be displayed.

When the display reads “1:00” minute, open the microwave oven door. The microwave should stop cooking. Close the door firmly. The interior microwave oven light should turn off.

4. Press START. The microwave oven should begin cooking, and the microwave oven interior light should be on.
Let the microwave oven complete the cooking time. A tone will sound 4 times at the end of the cooking time, and the microwave oven will shut off.
5. Open the microwave oven door and slowly remove the container. Water in the container should be hot.

If you need Assistance or Service:

Please refer to the “Assistance or Service” section in the Use and Care Guide or contact the dealer from whom you purchased your built-in oven.