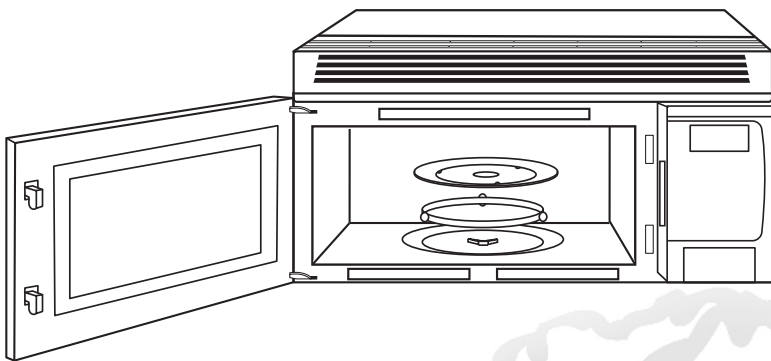


Panasonic®

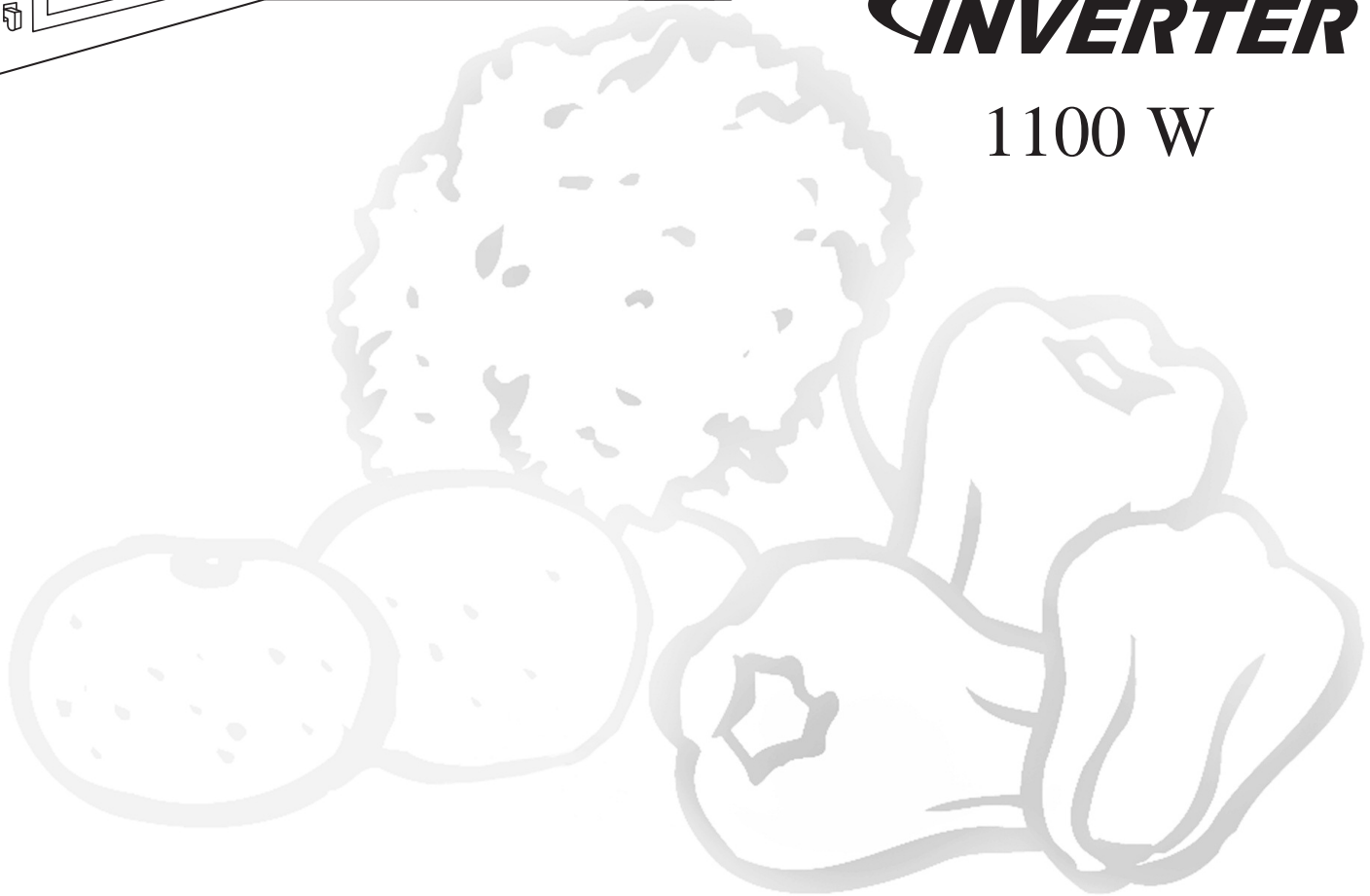
Operating Instructions Over The Range Microwave Oven Household Use Only

Model No. **NN-SE284S**
NN-SE284B
NN-SE284W



INVERTER

1100 W



**ATTACHED INSTALLATION INSTRUCTIONS
PLEASE READ ALL INSTRUCTIONS CAREFULLY BEFORE USING THE OVEN,
AND SAVE THIS MANUAL FOR FUTURE USE.**

Inverser le manuel pour lire les instructions en français.

Panasonic Canada Inc.
5770 Ambler Drive
Mississauga, Ontario
L4W 2T3
Tel: (905) 624-5010
www.panasonic.com

F0003BL70CP
IP0514-0
Printed in China

© Panasonic Appliances Microwave Oven (Shanghai) Co., Ltd. 2014



Specifications

Power Source:	120 V, 60 Hz			
Power Consumption:	1200 W			
Cooking Power:*	1100 W			
Outside Dimensions (W x H x D):	759 mm x 418 mm x 391 mm (29 ⁷ / ₈ " x 16 ⁷ / ₁₆ " x 15 ³ / ₈ "			
Oven Cavity Dimensions (W x H x D):	591 mm x 242 mm x 367 mm (23 ¹ / ₄ " x 9 ¹ / ₂ " x 14 ⁷ / ₁₆ "			
Charcoal Filter (optional):	NN-CF203			
Operation Frequency:	2450 MHz			
Ventilation Power:	Super 450 CFM	Turbo 300 CFM	High 160 CFM	Low 130 CFM
Noise Level:	60 dB	55 dB	49 dB	40 dB
Net Weight:	Approx. 22.0 kg (48.5 lbs.)			

*IEC Test procedure

Specifications/part numbers subject to change without notice.