


DW80K5050US

Samsung Dishwasher

 Stainless Steel
(Shown)

 White

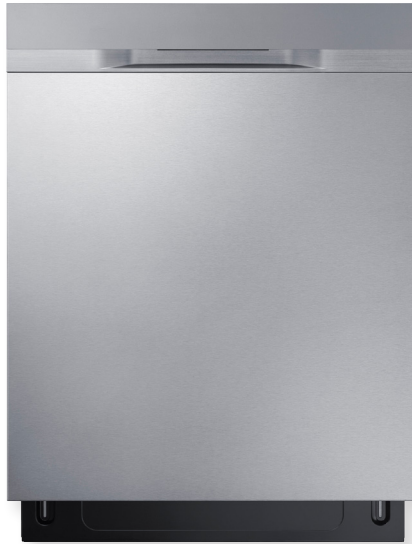
 Black

Features

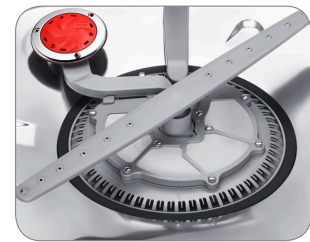
- StormWash™ Heavy Duty Wash System
- AutoRelease™ Door
- Light Indicator
- Digital Leakage Sensor
- Four-Layer, Insulated Door
- FlexLoad™ Racking System
- Touch Control
- Half-Load Cycle
- One-Touch Adjustable Racking System
- Quiet Operation – 48 dBA
- Full Stainless Steel Interior
- Hidden Heating Element
- 15 Place Settings
- Hard Food Disposer Cleaning System
- 3 Spray Wash Arms - Upper, Middle, Lower
- 6 Wash Cycles and 6 Wash Options
- 2 Silverware Baskets

Convenience

- Control Lock
- Rinse Refill Indicator
- Cycle Progress Indicator
- Last Cycle Memory
- Self-Cleaning Filtration System
- Six Sensors - Digital Water Leakage, Overflow, Sanitize, Turbidity, Water Fill, Rinse Refill



Smart Care



Sensor Dry

Signature Features

StormWash™

- Heavy-duty wash system makes pre-rinsing unnecessary.
- Powerful rotating spray jets positioned to clean dishes at every angle.
- Simply place hard-to-clean items above the StormWash™ wheel on the bottom rack and it scrubs them for you.

Autorelease™ Door

- Door opens automatically to dry dishes faster.*

*Improvements versus drying performance of the DW80F600.

Light Indicator

- Indicates whether it's running and can be seen from across the room.



ENERGY STAR®-rated:
265 kWh/yr

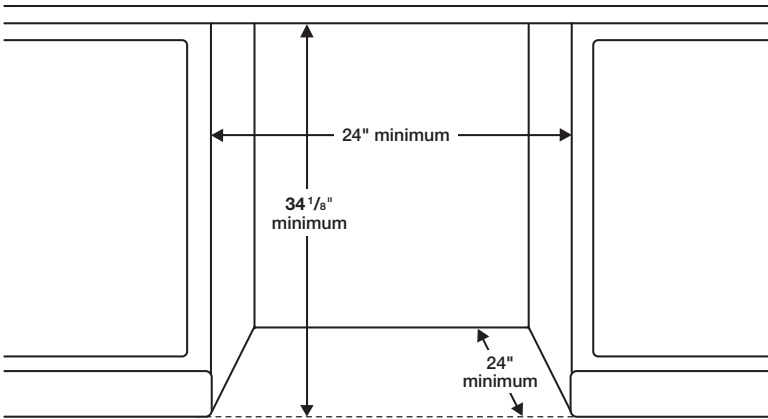


SAMSUNG

DW80K5050US

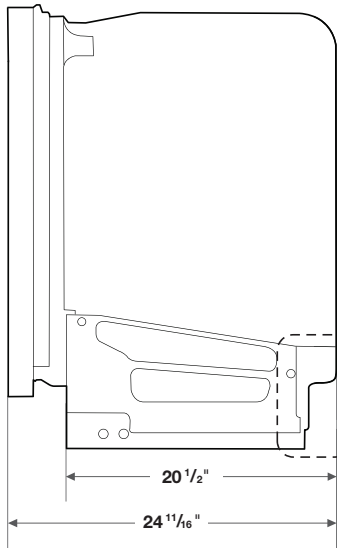
Samsung Dishwasher

Installing Your Dishwasher

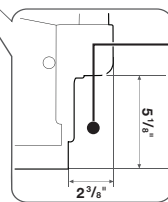
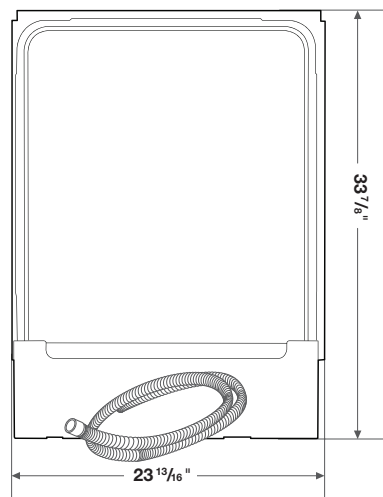


Dimensions

Side View



Rear View



The water supply line, power cable and drain hose should go through this space behind the dishwasher. Then, the power cable run in channels under the dishwasher to connections in the front.

Features

- 6 Wash Cycles: Auto, Heavy, Normal, Express 60, Delicate, Rinse Only
- 6 Options: StormWash™, Lower Rack Wash, Sanitize (Anti-Bacterial-NSF), Hi-Temp Wash, Delay Start, Control Lock
- 2-Stage Filtration
- Hidden Heat Element
- Stainless Steel Interior Tub

Convenience

- Control Lock
- Digital Water Leakage Sensor: Detects Water Leaks Before They Happen and Shuts Off the Dishwasher to Prevent Water Damage
- Nylon Racking
- Upper Rack: 2 Cup Shelves, Adjustable Tines
- Lower Rack: Removable Tines
- 2 Silverware Baskets

Warranty

One (1) Year All Parts and Labour
 Five (5) Year Limited on Printed Circuit Board and Interior Nylon Racks
 Lifetime Limited Warranty on Stainless Steel Door Liner and Tub for Leakage

NET DIMENSIONS (W x H x D)		WEIGHT	
Imperial (inches)	Metric (mm)	(lbs)	(kg)
23.8 * 33.8 - 35.8 * 24.8	604.52 * 858.52 - 909.32 * 629.92	95	43
SHIPPING DIMENSIONS (W x H x D)		WEIGHT	
Imperial (inches)	Metric (mm)	(lbs)	(kg)
26 * 35 * 29.5	660.4 * 889 * 749.3	106	48

PRODUCT	COLOUR	MODEL #	UPC CODE
Dishwasher	Stainless Steel	DW80K5050US	887276166407
Dishwasher	White	DW80K5050UW	887276166421
Dishwasher	Black	DW80K5050UB	887276166384

PLEASE VISIT SAMSUNG.COM FOR OUR LATEST UPDATES.

Actual colour may vary. Design, specifications, and colour availability are subject to change without notice. Non-metric weights and measurements are approximate.

© 2016 Samsung Electronics Canada Inc. All rights reserved. Samsung is a registered trademark of Samsung Electronics Co., Ltd., used with permission.

SAMSUNG