

DV42H5000EW

Samsung Front-Load Electric Dryer

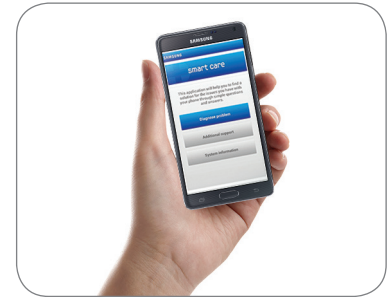
7.5 cu. ft. Capacity IEC

Features

- Smart Care™
- 9 Preset Drying Cycles
- 9 Options
- 4 Temperature Settings
- 4-Way Venting
- Sensor Dry – Detects Moisture and Adjusts Drying Time
- Dryer Drum Light
- Reversible See-Through Door

Convenience

- Child Lock
- My Cycle Option
- Lint Filter Indicator



Smart Care



Sensor Dry

Available Colour:



White

Signature Features

SMART CARE

- Troubleshoot with your smartphone.
- Perform a quick diagnosis of your dryer right from your smartphone.*

**Available on Google Play and the App Store.

SENSOR DRY

- Automatically adjusts drying time by sensing moisture so your clothes don't over or under dry.

9 DRYING CYCLES

- Multiple cycles for better drying include:

| | | |
|-----------|------------|-----------------|
| Normal | Heavy Duty | Permanent Press |
| Bedding | Delicates | Time Dry |
| Air Fluff | Quick Dry | Wrinkle Release |

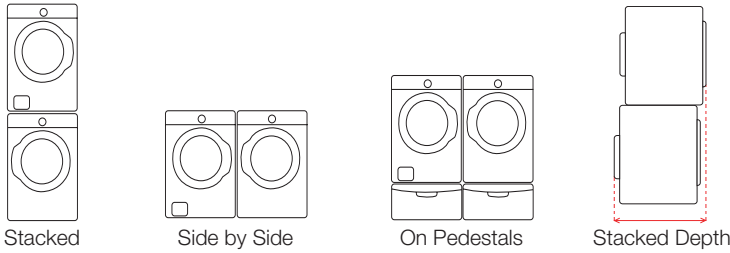


SAMSUNG

DV42H5000EW

Samsung Front-Load Electric Dryer

Installing Options



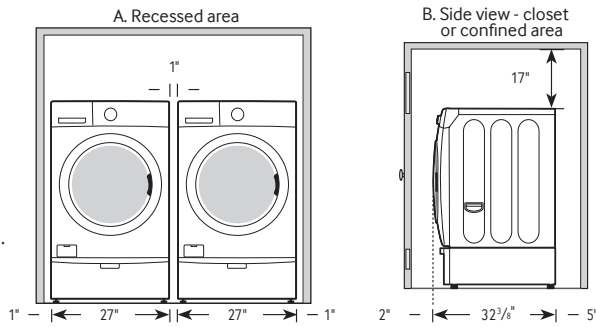
Installing Your Dryer

1. Alcove or closet installation

Minimum clearances for closet and alcove installations:

- Sides – 1"
- Rear – 5²⁹/₃₂"
- Top – 17"
- Closet Front – 2"

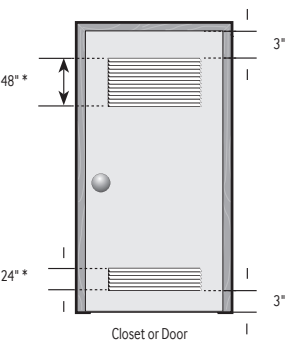
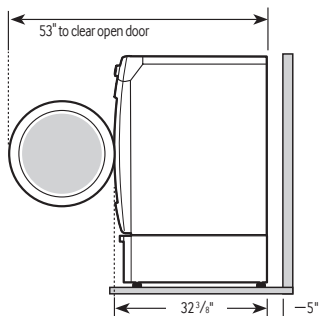
If the washer and dryer are installed together, the closet front must have at least a 72" unobstructed air opening. Your washer alone does not require a specific air opening.



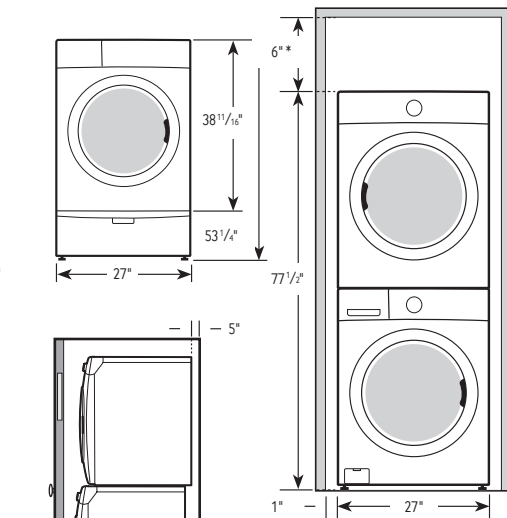
Dimensions

2. With optional pedestal base or stacking kit

Required Dimensions for Installation with Pedestal



Required Dimensions for Installation with Stacking Kit



*Required spacing.
**External exhaust elbow requires additional space.

7.5 cu. ft. Capacity IEC

4-Way Venting

9 Preset Dry Cycles:

Normal, Heavy Duty, Permanent Press, Bedding, Delicates, Time Dry, Air Fluff, Quick Dry, Wrinkle Release

9 Options:

Mixed Load Bell, Wrinkle Prevent, Small Load Care, My Cycle, Adjust Time, Sound, Child Lock, Smart Care, Drum Light

4 Temperature Settings:

High, Medium, Low, Extra Low

4 Dry Levels:

Very Dry, More Dry, Normal Dry, Damp Dry

2 Signal Level Settings:

On/Off

Warranty

- One (1) Year Parts and Labour
- Two (2) Years Control Board
- Three (3) Years Stainless Steel Drum
- Ten (10) Years Direct Drive Motor

Product Dimensions & Weight (WxHxD)

Dimensions: 27" x 38¹¹/₁₆" x 32³/₈"

Weight: 126 lbs

Shipping Dimensions & Weight (WxHxD)

Dimensions: 29¹/₄" x 42¹/₄" x 33¹/₂"

Weight: 134 lbs

Electric

White

Model #

DV42H5000EW

UPC Code

887276057248

Matching Washer

White

WF42H5000AW

887276962887

SAMSUNG

Actual colour may vary. Design, specifications, and colour availability are subject to change without notice. Non-metric weights and measurements are approximate. Clearance requirements are the recommended minimum only. Check the regulations and codes in your area for any additional requirements.

© 2014 Samsung Electronics Canada Inc. All rights reserved. Samsung is a registered trademark of Samsung Electronics Co., Ltd., used with permission.