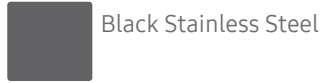


DV45K6500EV

Samsung Front-Load Electric Dryer



Multi-Steam Technology



Vent Sensor

7.5 cu. ft. Capacity

Features

- ENERGY STAR® 2016 Certified
- Multi-Steam Technology:
 - Steam Refresh
 - Steam Wrinkle Away
 - Steam Sanitize
- Vent Sensor™
- Stainless Steel Drum
- Eco Dry Technology
- Smart Home Ready
- Smart Care
- Sensor Dry
- 14 Preset Drying Cycles
- 12 Options
- 5 Temperature Settings
- 4-Way Venting
- Dual Heaters
- Dryer Drum Light
- Reversible See-Through Door

Convenience

- Child Lock
- My Cycle Option
- Filter Check Indicator

Signature Features

ENERGY STAR® 2016 Certified

- Meets strict energy-consumption requirements.

Multi-Steam Technology

- Helps remove wrinkles and odors, and freshens clothes so you can spend less time ironing and less money at the dry cleaners.

Vent Sensor™

- Detects duct blockages and reminds you to clean your vent.
- Conveniently allows you to forward these alerts to your smartphone.



ENERGY STAR®-rated:
663 kWh/yr

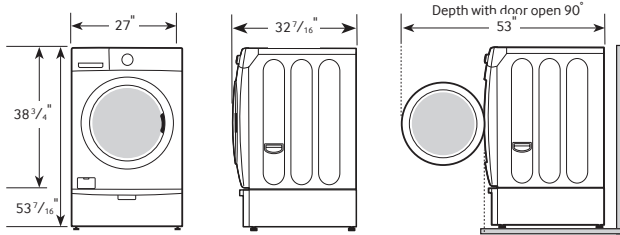
SAMSUNG

DV45K6500EV

Samsung Front-Load Electric Dryer

Dimensions

REQUIRED DIMENSIONS FOR INSTALLATION WITH PEDESTAL:

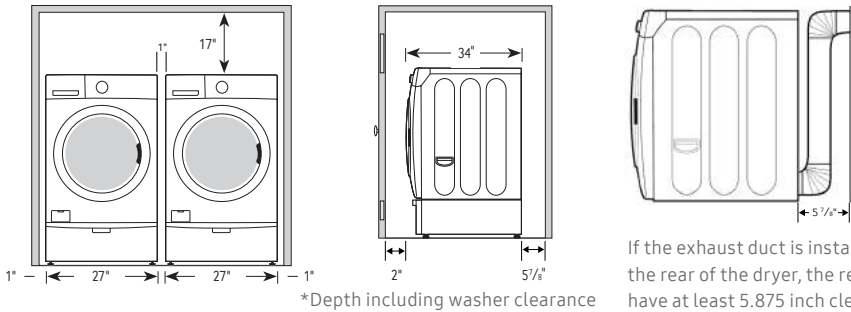


Installation Specifications

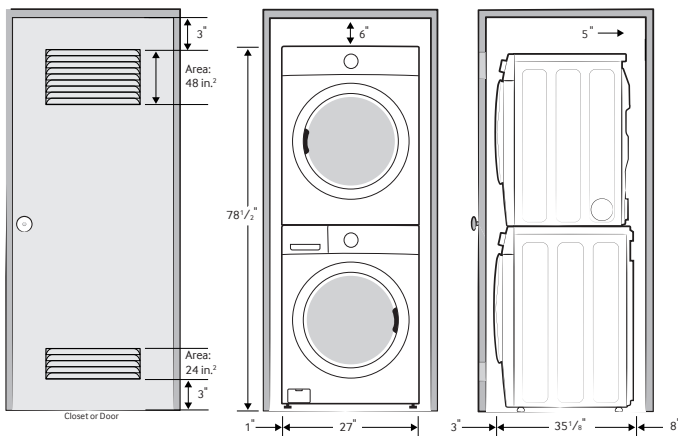
If the washer and dryer are installed together or the dryer alone, the closet front must have two unobstructed air openings for a combined minimum total area of 72 in.² (see stacked build below). Your washer alone does not require a specific air opening.

1. Alcove or closet installation

MINIMUM CLEARANCES FOR CLOSET AND ALCOVE INSTALLATIONS:



2. With stacked washer and dryer



7.5 cu. ft. Capacity IEC 4-Way Venting

14 Preset Dry Cycles:

- Steam Refresh, Steam Wrinkle Away, Steam Sanitize, Eco Normal, Normal, Heavy Duty, Permanent Press, Active Wear, Bedding, Delicates, Wool, Time Dry, Air Fluff, Quick Dry

12 Options:

- Mixed Load Bell, Wrinkle Prevent, Anti Static, My Cycle, Adjust Time (Up), Adjust Time (Down), Eco Dry, Sound, Child Lock, Smart Care, Drum Light

5 Temperature Settings:

- High, Medium, Medium Low, Low, Extra Low

5 Dry Levels:

- Very Dry, More Dry, Normal Dry, Less Dry, Damp Dry

Warranty

One (1) Year Parts and Labour

Optional Stacking Kit

Sold separately SKK-7A
887276146423

Optional Side Vent Kit

Sold separately DV-2A/XAA
887276146416

Matching Pedestal

WE357A0V

NET DIMENSIONS (W x H x D)		WEIGHT	
Imperial (inches)	Metric (mm)	(lbs)	(kg)
27 * 38.75 * 32.437	685.8 * 984.25 * 823.72	126	57.15
SHIPPING DIMENSIONS (W x H x D)		WEIGHT	
Imperial (inches)	Metric (mm)	(lbs)	(kg)
29.37 * 42.37 * 33.5	745.99 * 1076.19 * 850.9	134	60.78

PRODUCT	COLOUR	MODEL #	UPC CODE
Electric Dryer	Black Stainless Steel	DV45K6500EV	887276138381
Matching Washer	Black Stainless Steel	WF45K6500AV	887276138121

PLEASE VISIT SAMSUNG.COM FOR OUR LATEST UPDATES.

Actual colour may vary. Design, specifications, and colour availability are subject to change without notice. Non-metric weights and measurements are approximate.

© 2016 Samsung Electronics Canada Inc. All rights reserved. Samsung is a registered trademark of Samsung Electronics Co., Ltd., used with permission.

SAMSUNG