

RF26J7500SR

33" Wide, 25.5 cu. ft. French Door Refrigerator with CoolSelect Pantry®

Features

- Large Capacity – 25.5 cu. ft.
- Twin Cooling Plus®
- Ice Master Ice Maker in the Refrigerator
- ENERGY STAR® Compliant
- CoolSelect Pantry® with Temperature Control
- Premium External Filtered Water and Ice Dispenser
- High-Efficiency LED Lighting
- EZ-Open Handle™ on Freezer Door
- Adjustable Shelf for Tall, Oversized Items
- Two Humidity-Controlled Crispers
- Tempered Glass Spill-Proof Shelves
- Auto Pull-Out Upper Freezer Drawer
- Easy-to-Access Water Filter

Convenience

- Door Alarm
- Water Filter Indicator

ENERGY STAR® Rated:
698 kWh/yr



Ice Master



CoolSelect Pantry with Temperature Control

Available Colour:



Stainless Steel

Signature Features

TWIN COOLING PLUS

- Refrigerator is kept at higher humidity levels to keep perishable fruits and vegetables fresher longer.*
- Freezer air is kept drier for less freezer burn and better tasting frozen foods.
- Fruits and veggies are no longer limited to the crispers. Produce can be placed anywhere in the fresh food compartment and retain ultimate freshness.

*When compared to Samsung fridge models that do not have triple cooling.

ICE MASTER

- Produces up to 10 lbs. of ice per day and stores 4.2 lbs.
- Space-saving design leaves more room in the refrigerator.

COOLSELECT PANTRY

- Provides additional temperature control for your food storage needs with Deli, Fresh and Chilled options.



Ranked **"Highest in customer satisfaction with French Door refrigerators, in a tie."***

—J.D. Power

SAMSUNG

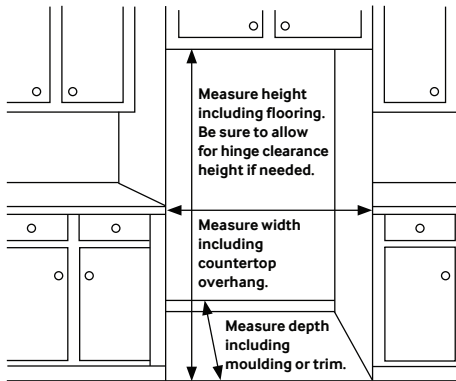
RF26J7500SR

33" Wide, 25.5 cu. ft. French Door Refrigerator with CoolSelect Pantry®

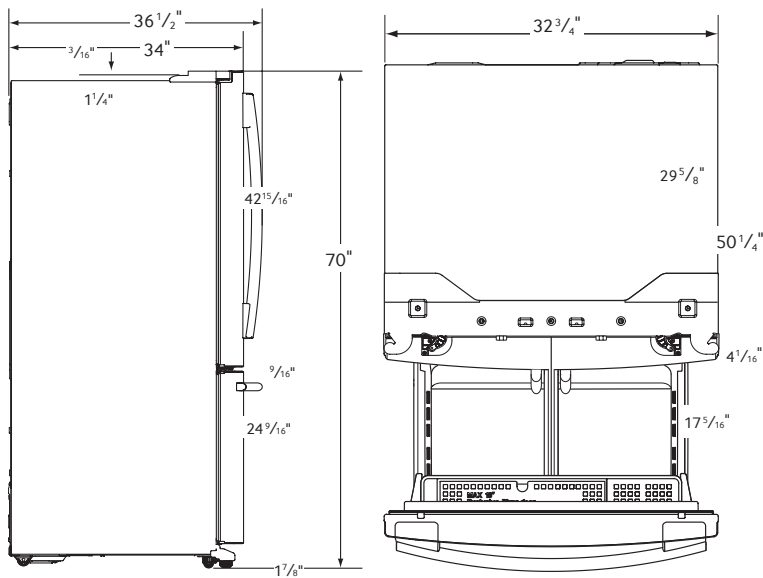
Installing Your Refrigerator

1. Measure the height, width and depth of the opening, making sure to include baseboards, moulding tile, countertop overhang, etc. Check to be sure there is enough room to open the door (consider walls, islands or other obstacles when measuring).
2. Refer to illustration below to determine dimensions.
3. Allow 2" of clearance on hinge side of refrigerator when installing next to a wall where handle may make contact.
4. Allow 1" minimum clearance at rear for proper air circulation and water/electrical connections. Allow a 3/8" minimum clearance at sides and top for ease of installation.
5. Ensure each door and entry way in the home is wide enough for the refrigerator to be moved through easily.

Please note: The following dimension and cut-out information is for planning purposes only. For complete installation details consult manual packed with product, or download manual online at samsung.com.



Dimensions



Total Capacity: 25.5 cu. ft.

Refrigerator: 17.8 cu. ft.

- Premium External Filtered Water and Ice Dispenser
- Ice Master Ice Maker
- CoolSelect Pantry® with Temperature Control – Deli (41°F), Fresh (38°F) and Chilled (32°F) options
- 2 Humidity-Controlled Crispers
- 5 Tempered Glass Spill-Proof Shelves
- Adjustable Shelf for Tall, Oversized Items
- 6 Door Bins
 - Right Door: 3 Gallon Bins
 - Left Door: 3 Regular Bins
- High-Efficiency LED Lighting

Freezer: 7.7 cu. ft.

- EZ-Open Handle™
- 1 Drawer Divider
- High-Efficiency LED Lighting

Accessories

Water Filter: HAF-CIN

Warranty

One (1) Year Parts and Labour on Refrigerator

Five (5) Years Parts and Labour on Sealed Refrigeration System Only*

Ten (10) Years Parts and Five (5) Years Labour on Digital Inverter Compressor

*Compressor, evaporator, condenser, drier, connecting tubing

Product Dimensions & Weight

Dimensions (WxHxD with hinges, handles and doors):

32 3/4" x 70" x 36 1/2"

Dimensions (WxHxD without hinges and door):

32 3/4" x 68 7/8" x 29 5/8"

Dimensions (WxHxD with hinge and door, no handle):

32 3/4" x 70" x 34"

Weight: 300.9 lbs.

Shipping Dimensions & Weight (WxHxD)

Dimensions: 34 5/8" x 75 3/8" x 36 3/16"

Weight: 313.1 lbs.

Colour

Model #

UPC Code

Stainless Steel

RF26J7500SR

887276073019

SAMSUNG

*Samsung received the highest numerical score for French door refrigerators in a tie in the proprietary J.D. Power 2014 Kitchen Appliance Study.™ Study based on 15,380 total responses measuring 10 French door refrigerators brands and measures opinions of consumers about their new appliance purchased in the past 24 months. Proprietary study results are based on experiences and perceptions of consumers surveyed in January-March 2014. Your experiences may vary. Visit jdpower.com.

Actual colour may vary. Design, specifications, and colour availability are subject to change without notice. Non-metric weights and measurements are approximate. Clearance requirements are the recommended minimum only. Check the regulations and codes in your area for any additional requirements.

© 2015 Samsung Electronics Canada Inc. All rights reserved. Samsung is a registered trademark of Samsung Electronics Co., Ltd., used with permission.