

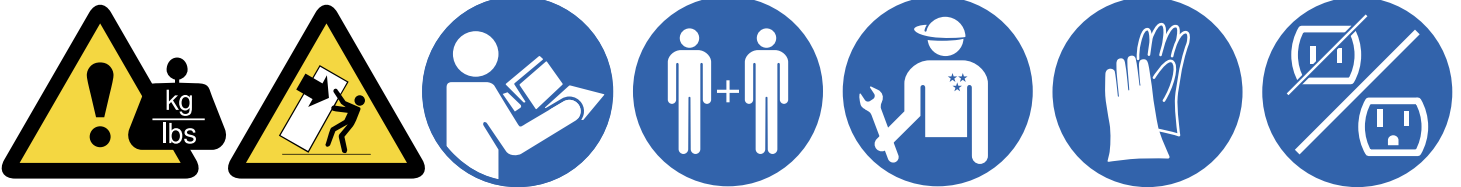
**EN** INSTALLATION  
INSTRUCTIONS

**T18IW900SP**  
**T24IW900SP**

**FR** INSTRUCTIONS  
D'INSTALLATION

**ES** INSTRUCCIONES  
DE INSTALACIÓN

***Thermador***



### About these instructions

- Read and follow the operating and installation instructions. They contain important information on how to install, use and maintain the appliance.
- The manufacturer is not liable if you disregard the instructions and warnings in the operating and installation instructions.
- Have the appliance installed by the manufacturer, customer service or a similarly qualified person only.
- Retain all documents for subsequent use or for the next owner.

### Risk of electric shock

Improper installations and repairs may put the user at considerable risk.

- Never cut through or remove the third (ground) conductor of the power cord.
- Never use extension cords or multiple plugs.
- Never use adapters.
- If the power cord is damaged: Immediately disconnect the appliance from the power supply and replace the power cord.
- Only use original parts supplied by the manufacturer. The manufacturer guarantees that these parts satisfy the safety requirements.

### Risk of suffocation

- Keep children away from the packaging and its parts.

### Risk of injury

- Risk of tipping over! The appliance is very heavy and top-heavy. The appliance should always be transported and set up by at least 2 people.
- Danger of cut injuries! Always wear protective gloves while installing the appliance.

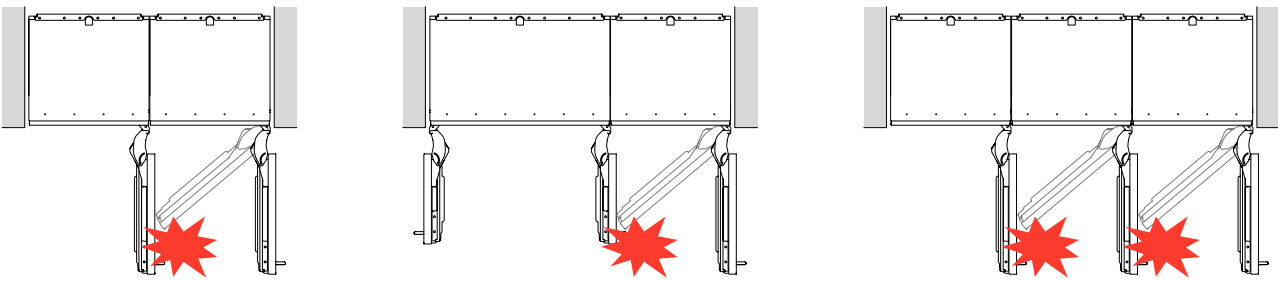
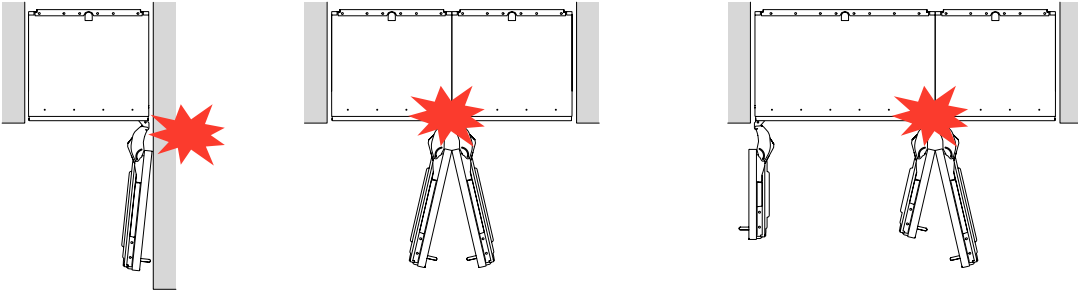
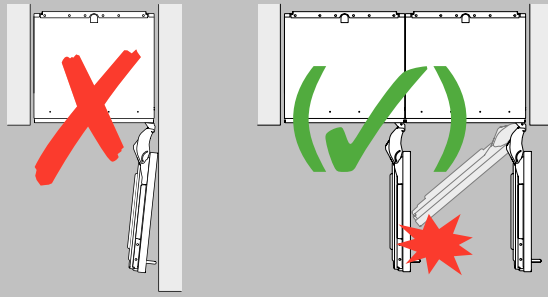
### Damage

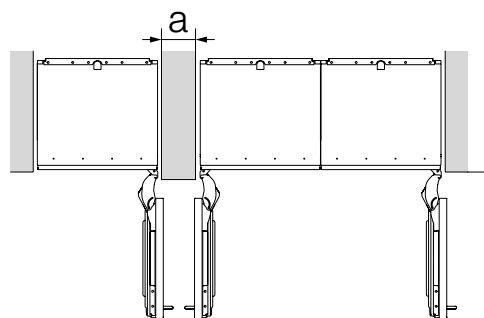
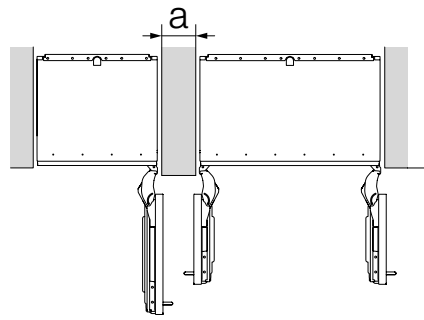
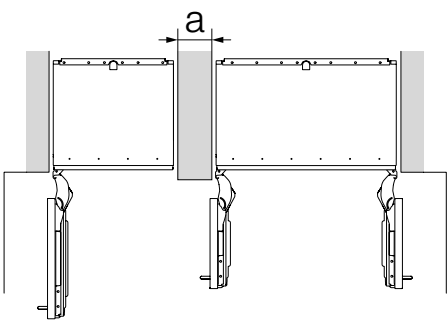
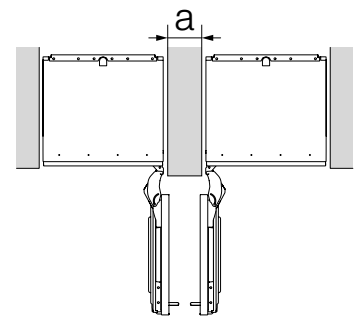
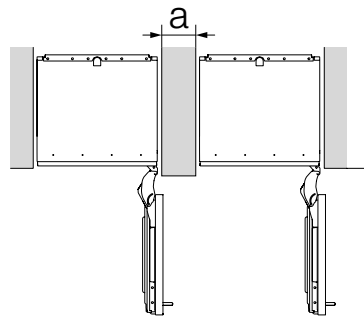
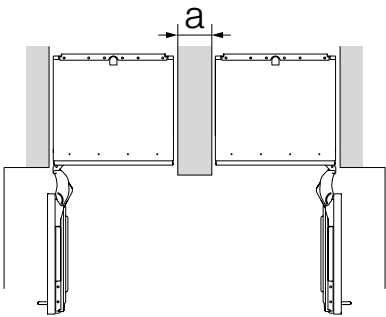
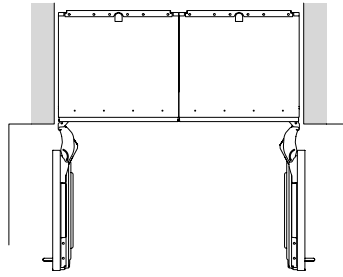
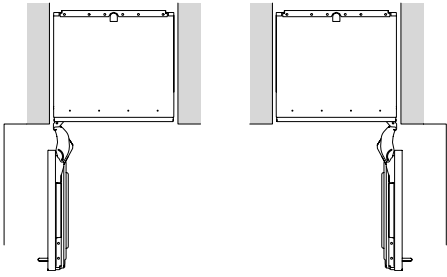
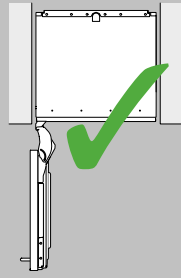
To prevent damage:

- Do not stand or support yourself on the base, runners or doors.
- Keep plastic parts and door seals free of oil and grease.

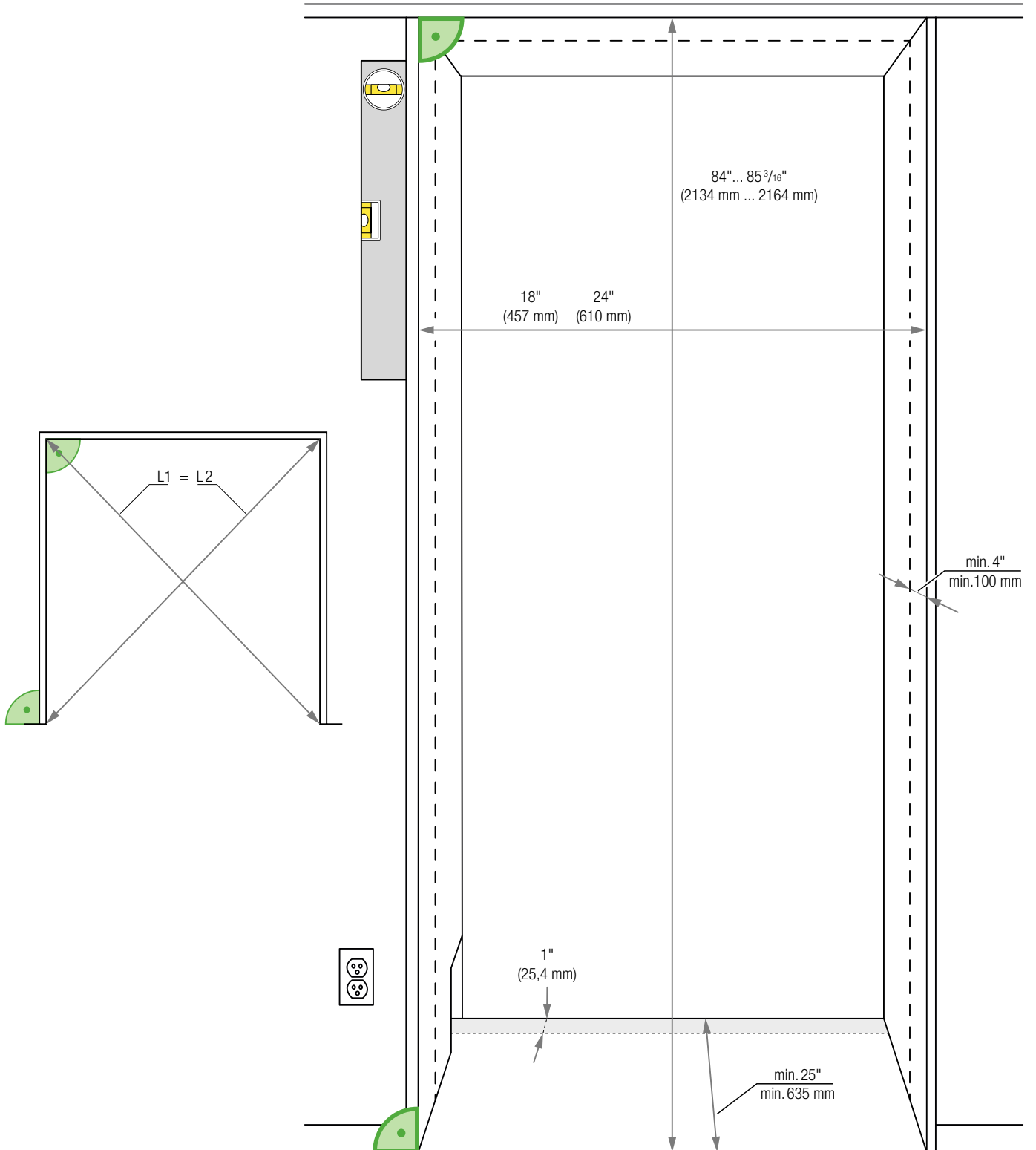
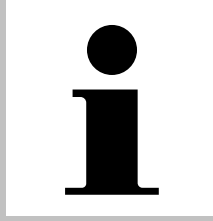
### State of California Proposition 65 Warnings

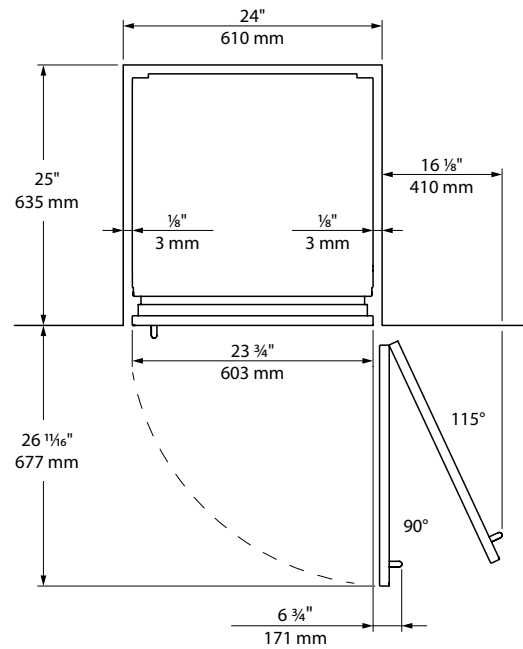
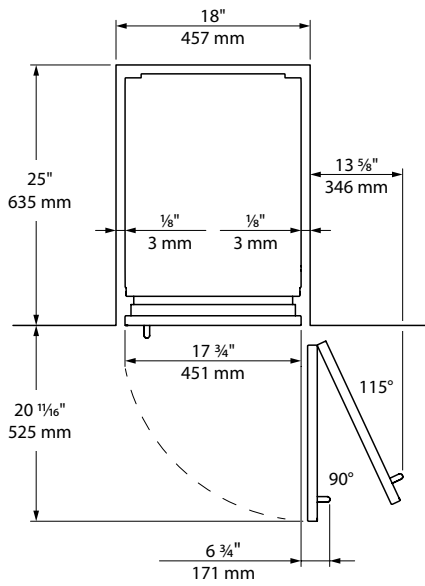
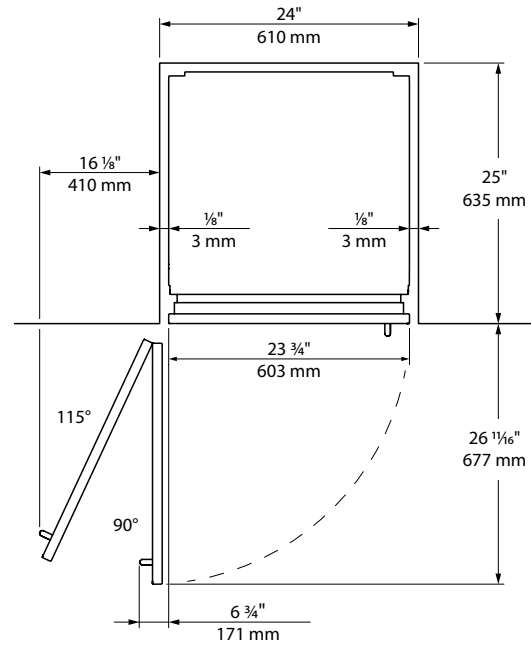
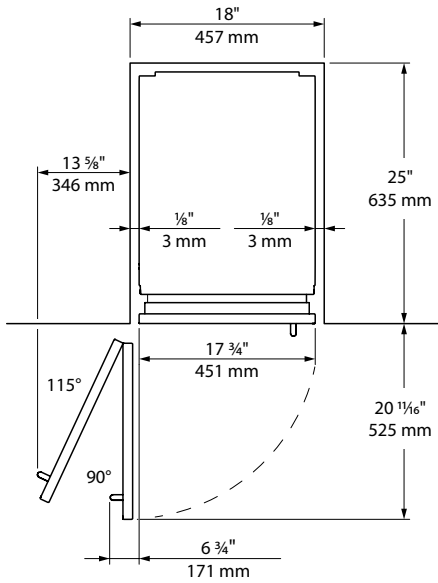
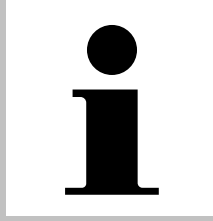
- This product contains chemicals known to the State of California to cause cancer, birth defects or other reproductive harm.

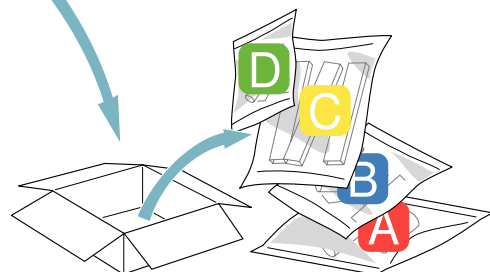
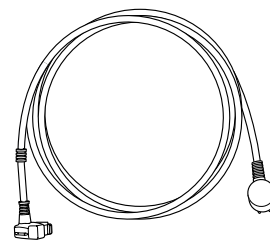
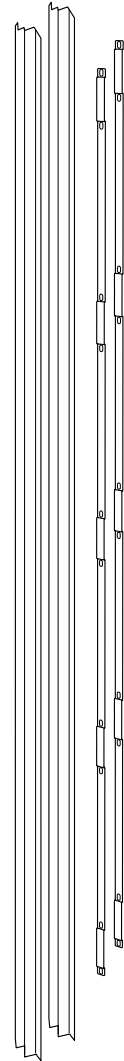
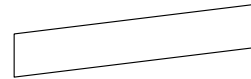
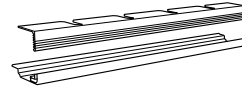
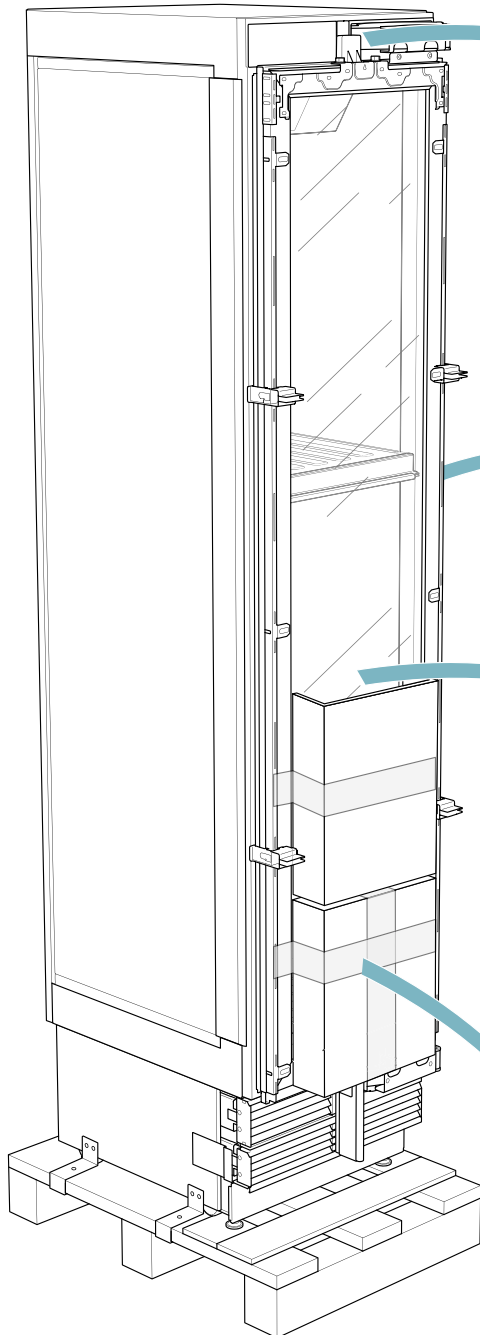
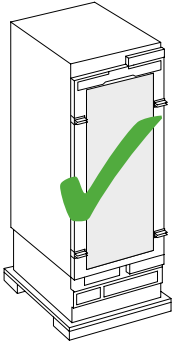
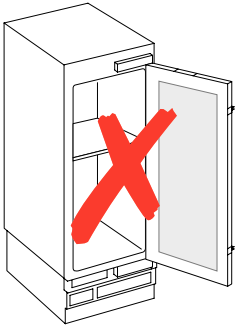
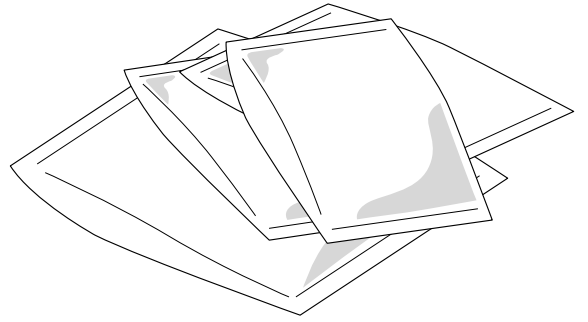
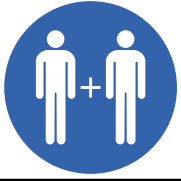


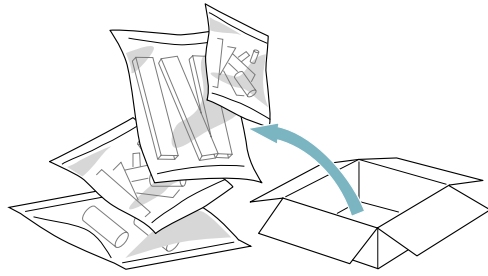


$a \geq \frac{5}{8}''$   
( $\geq 16$  mm)


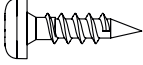

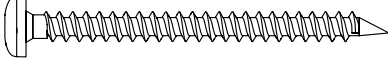
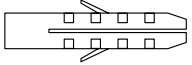


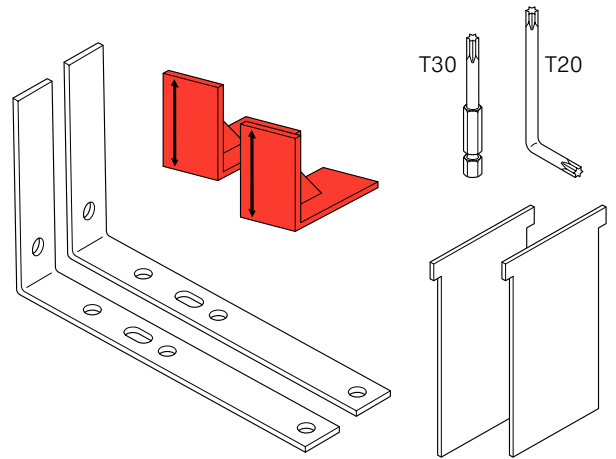










**A**

4x15			6x
5x60			4x
6x31			4x







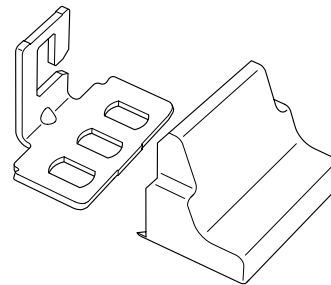
M5x16			28x
-------	---	---	-----

**B**

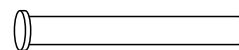
4x15			8x
------	---	---	----

**C**

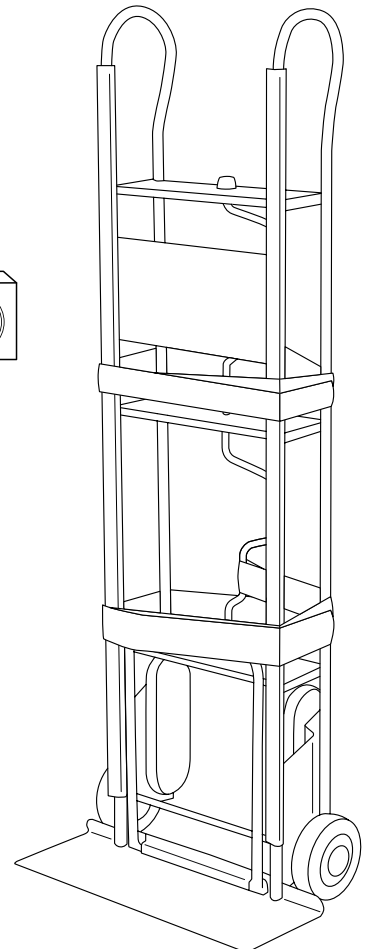
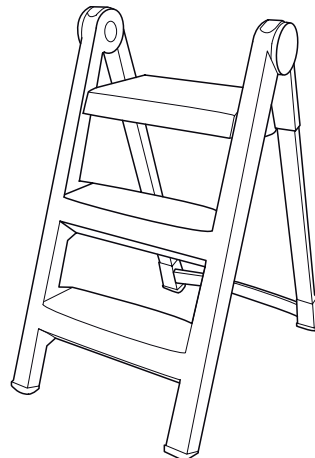
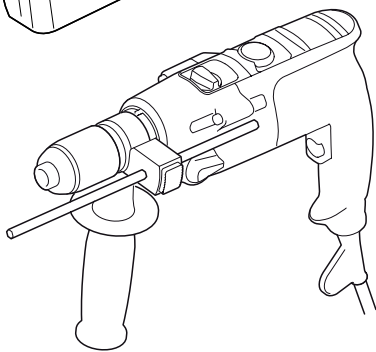
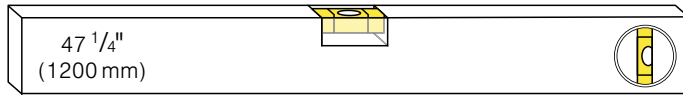
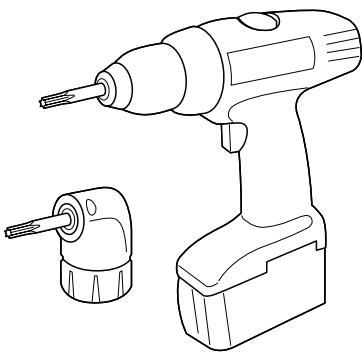
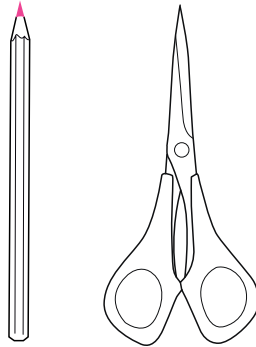
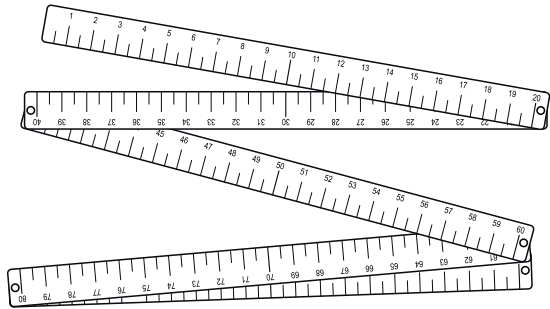
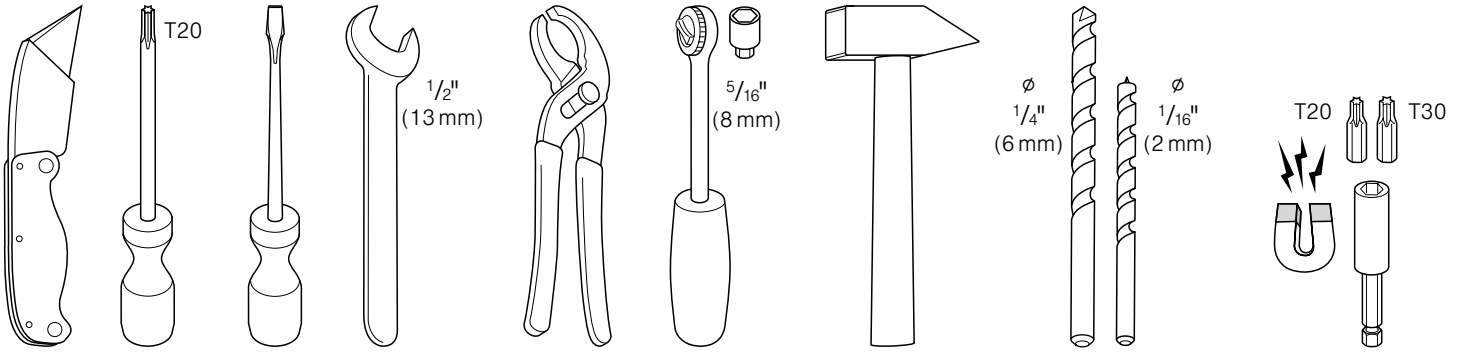
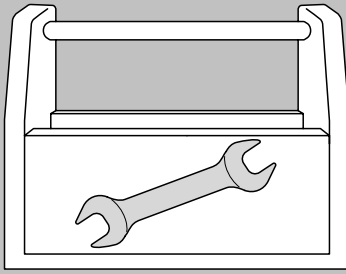
4x15			32x
4x15			2x

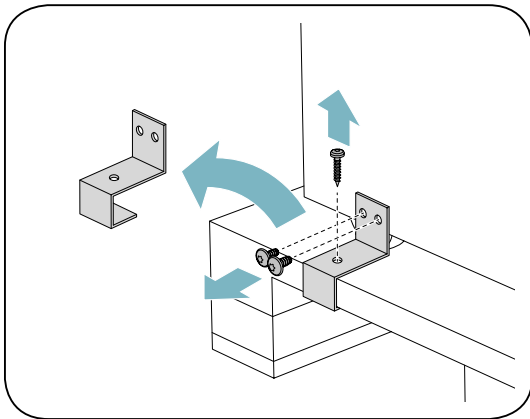
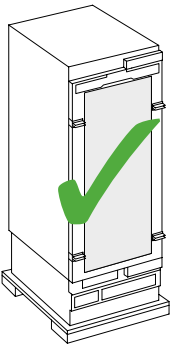
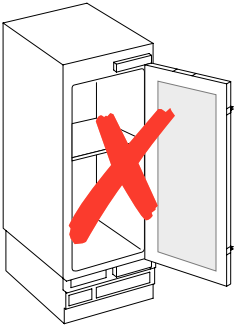
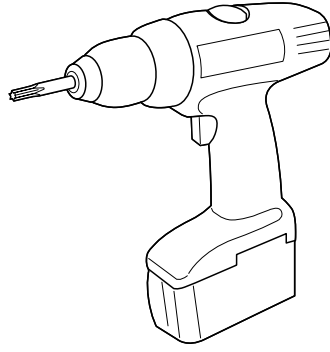
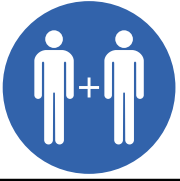


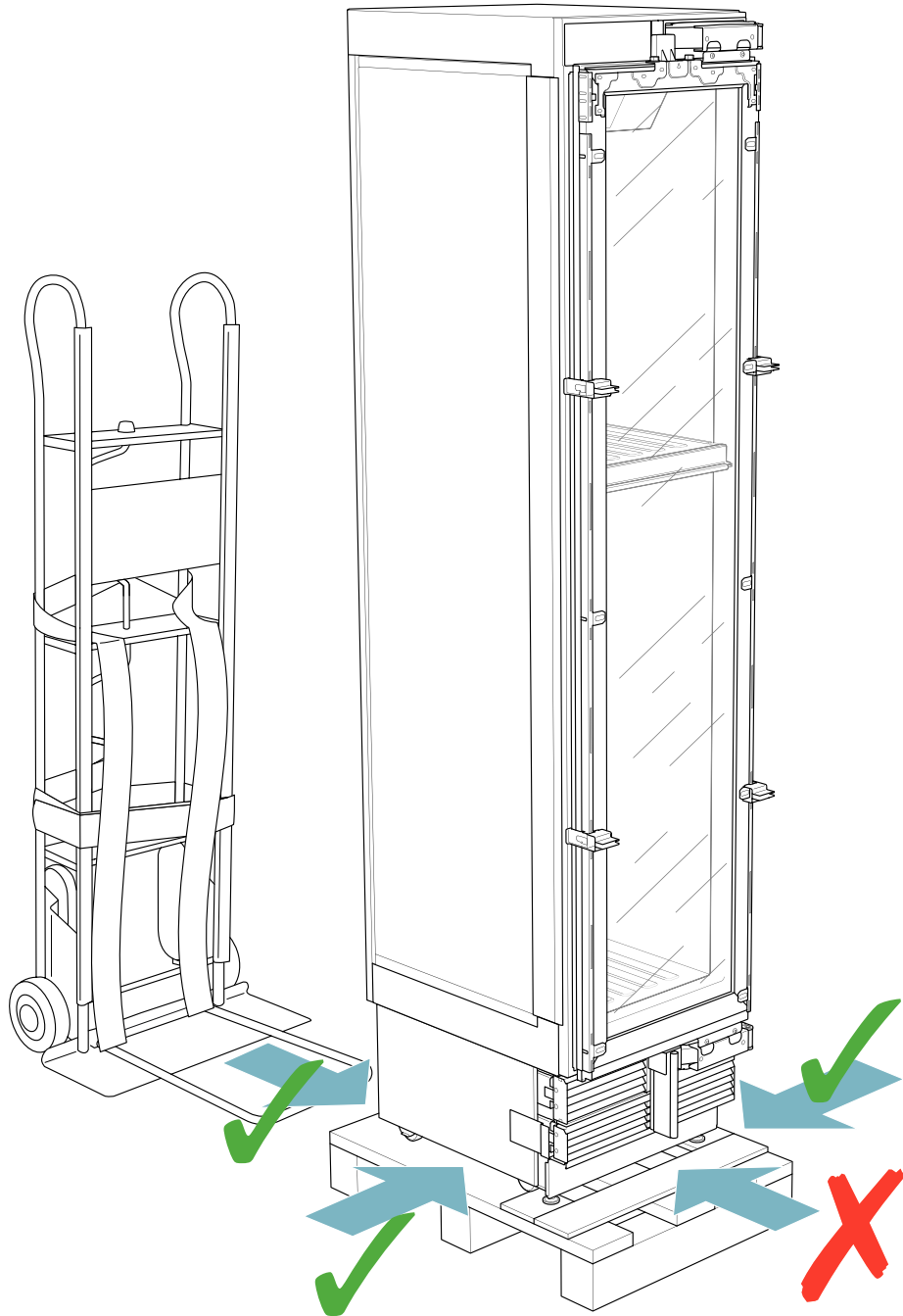
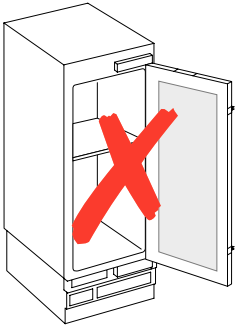
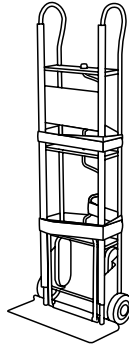
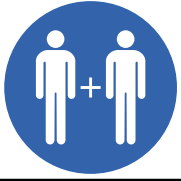
**D**

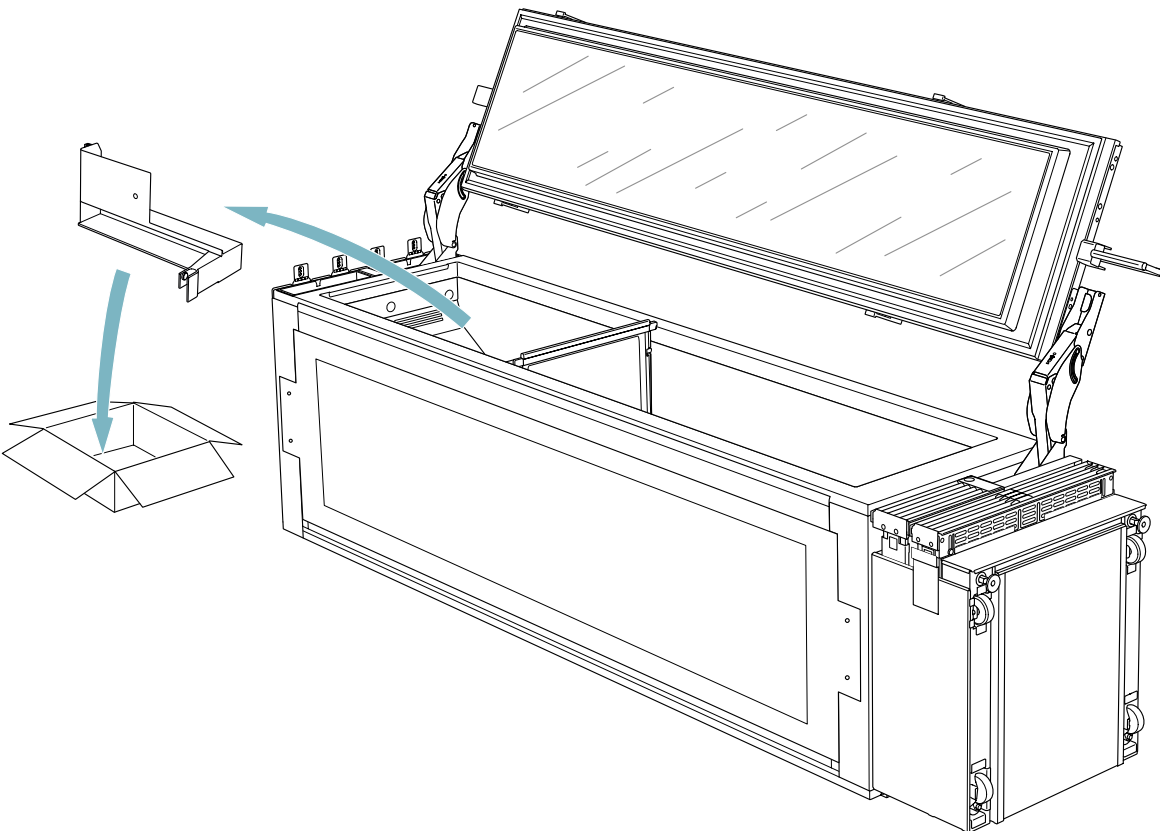
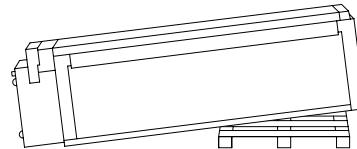
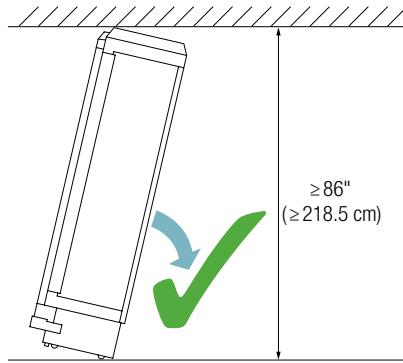
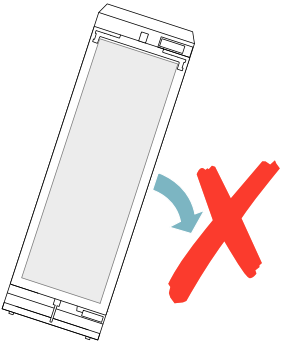
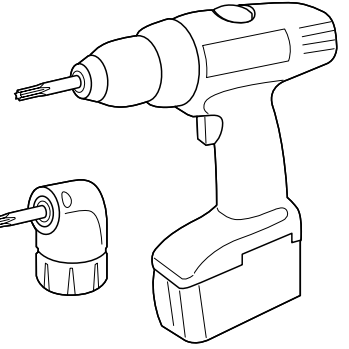
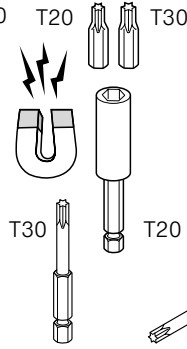
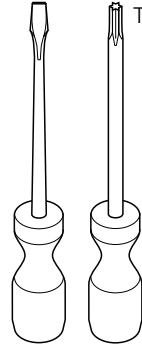
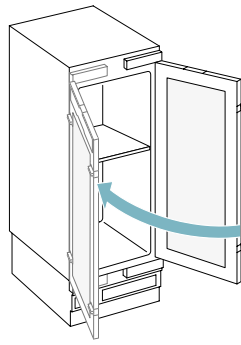
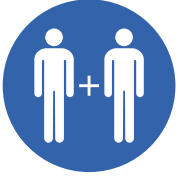










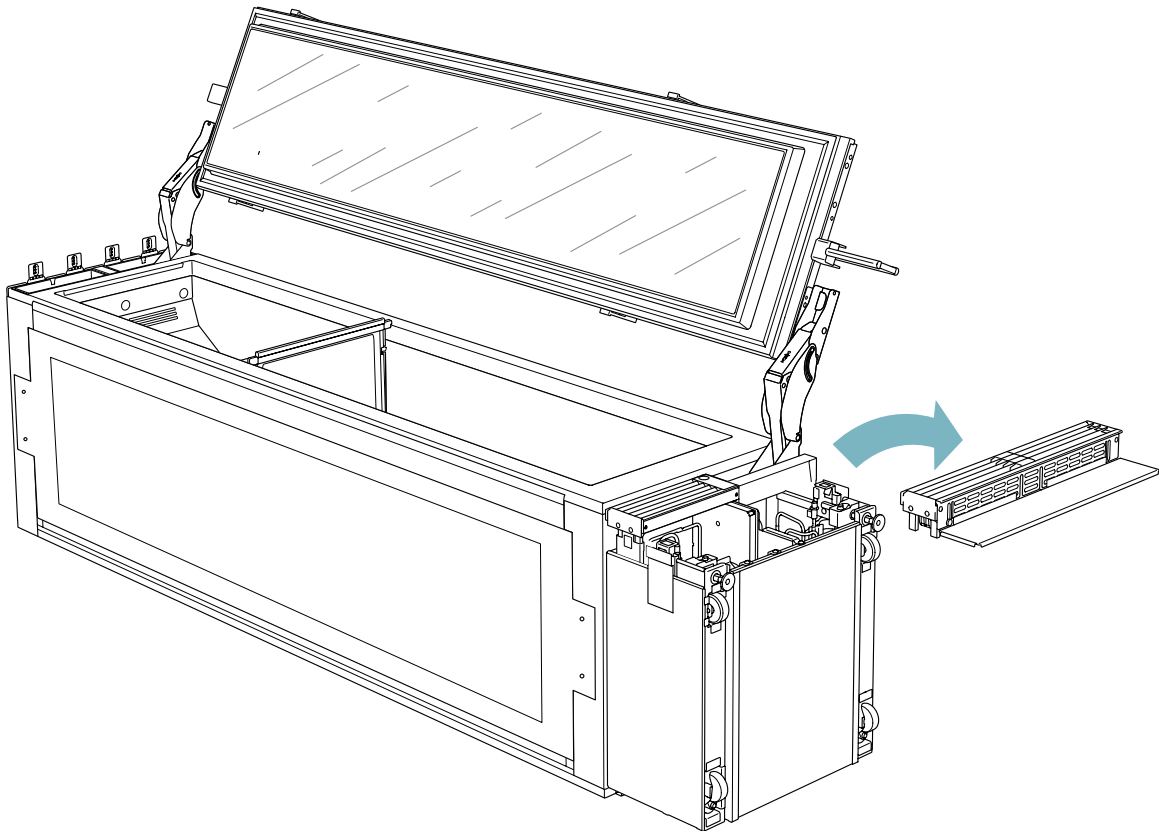
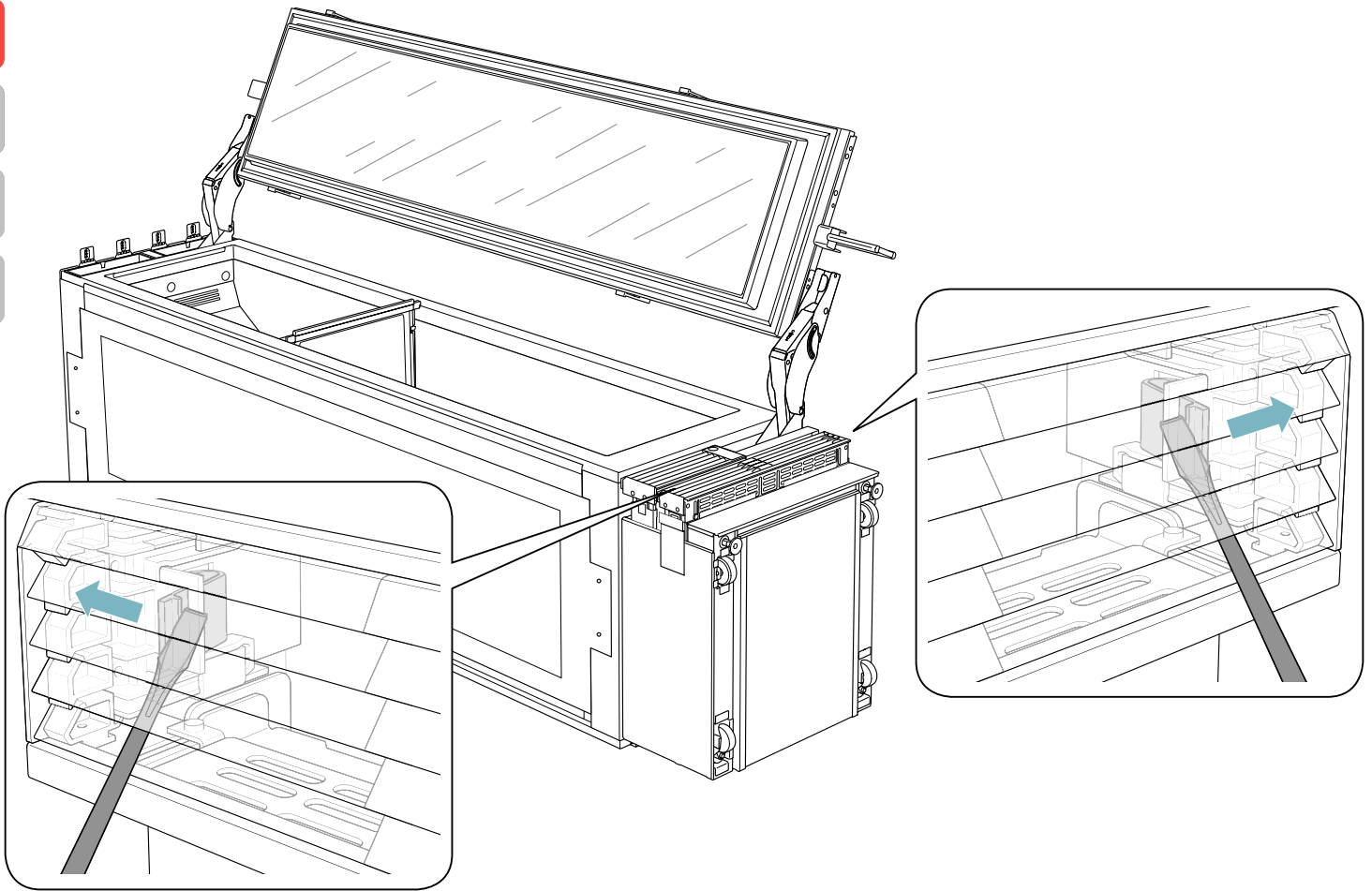


A

B

C

D

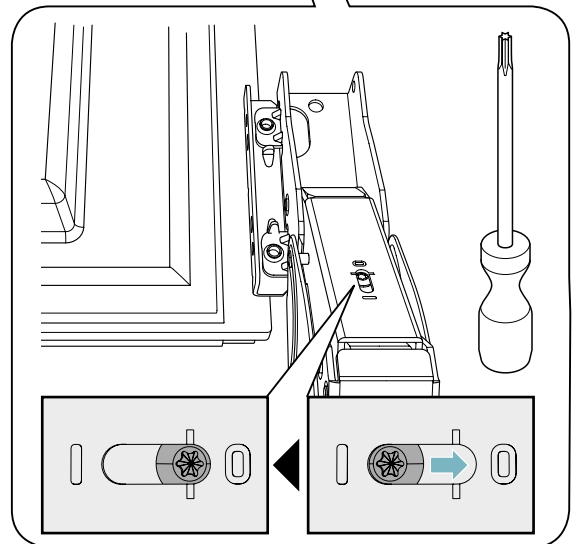
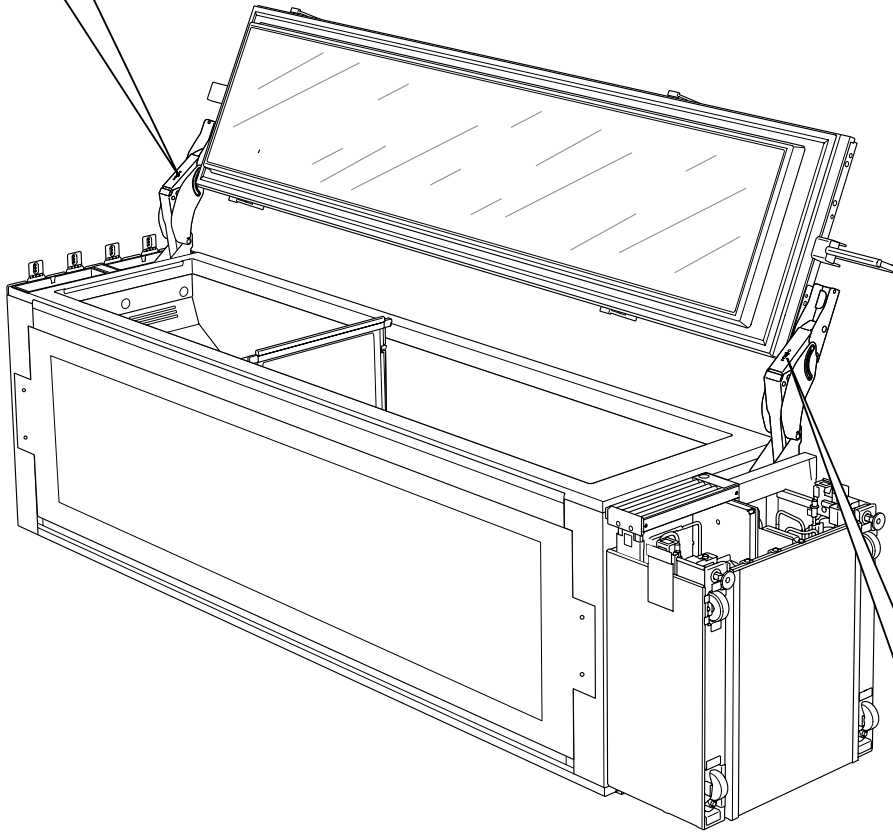
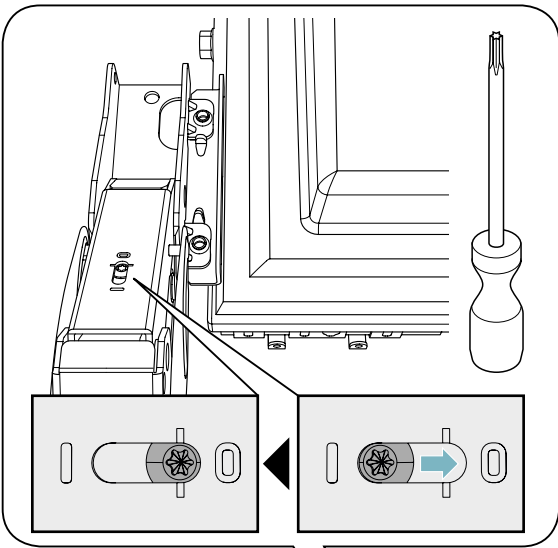


A

B

C

D

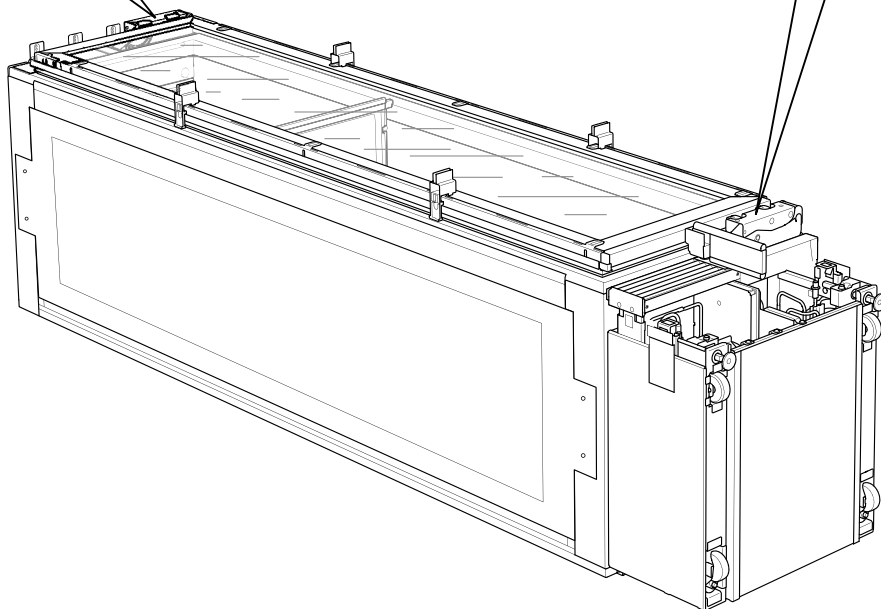
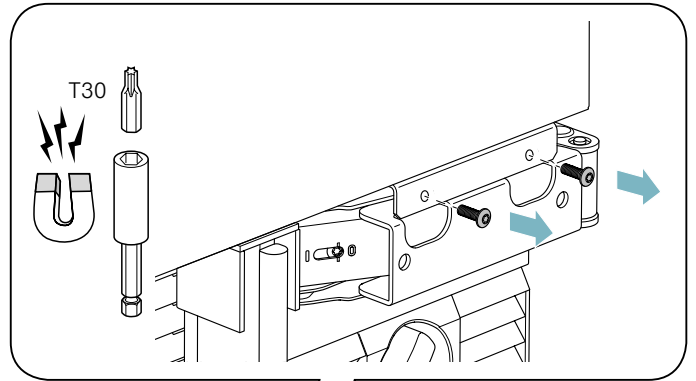
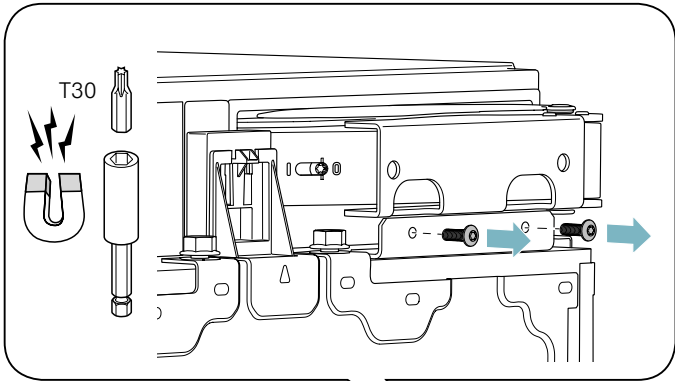
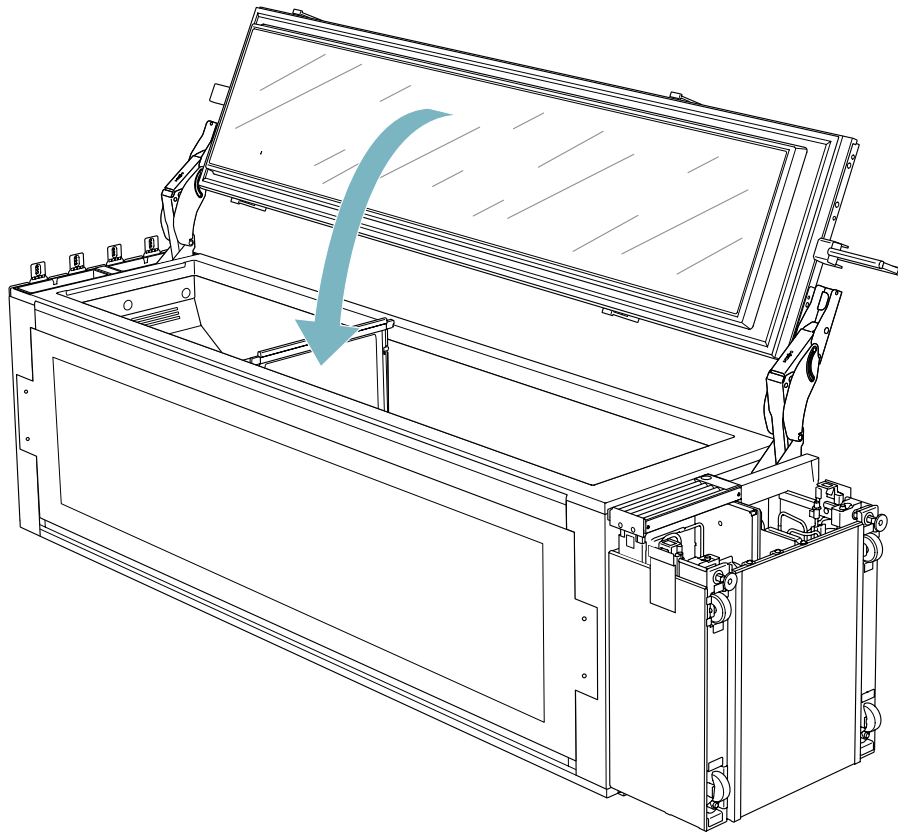


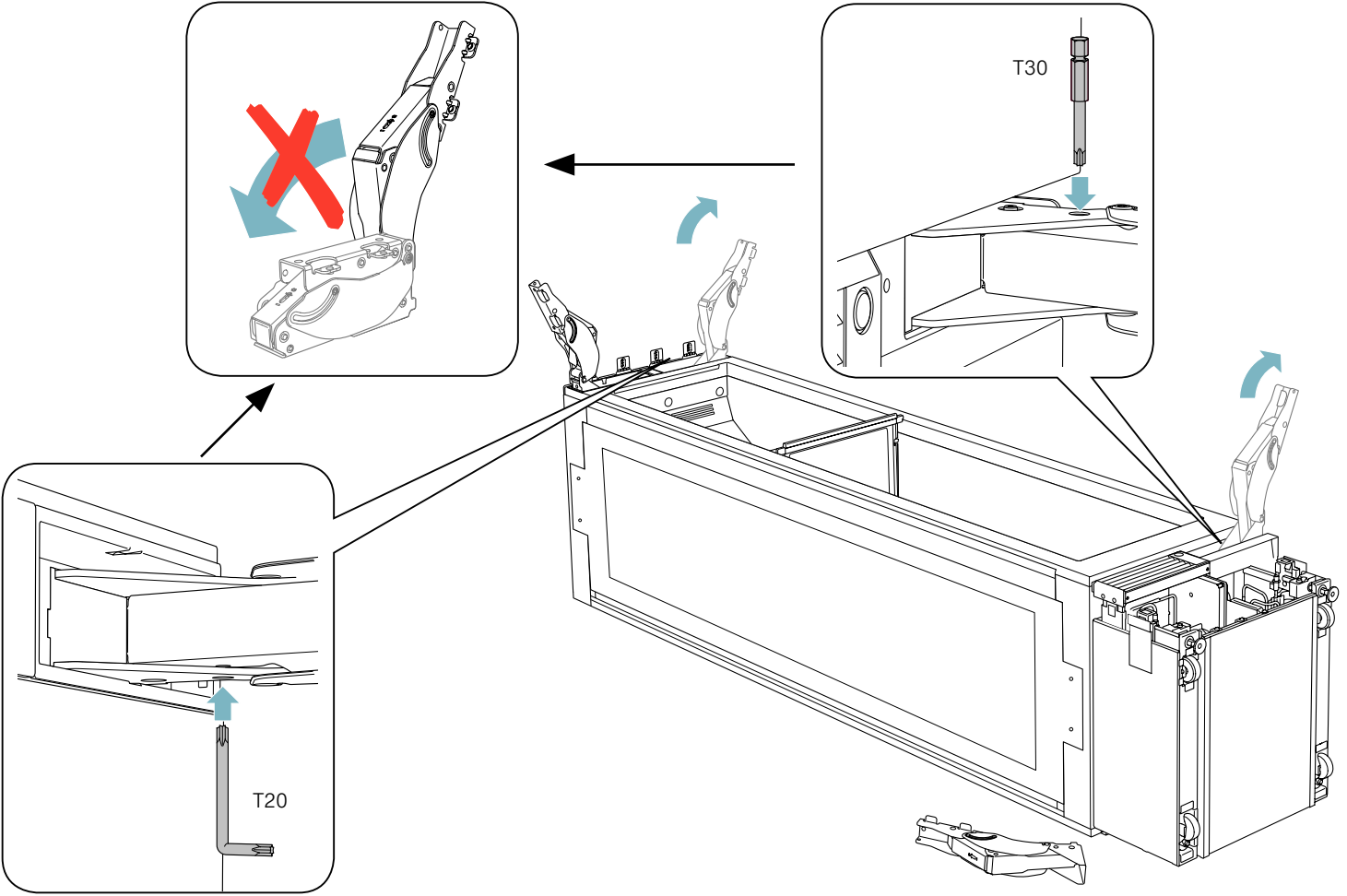
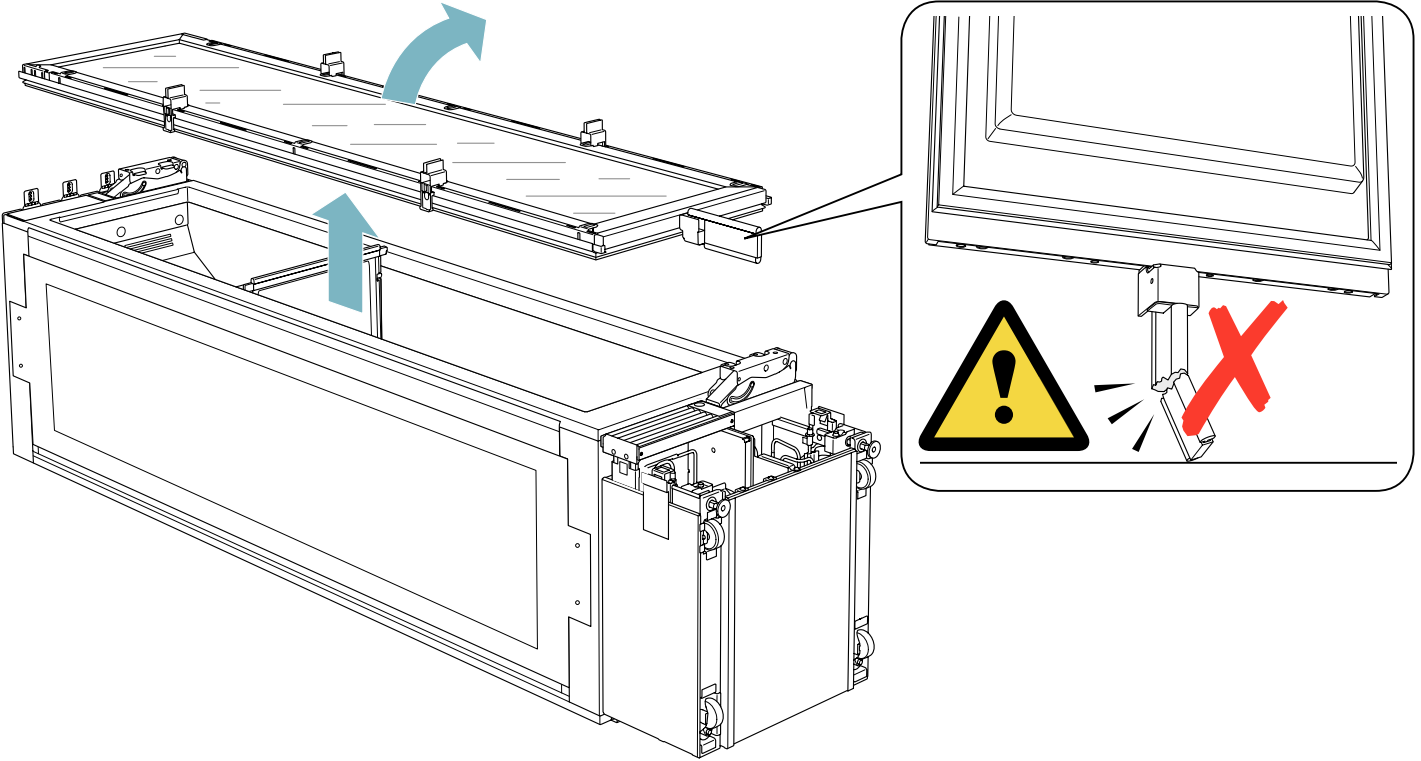
A

B

C

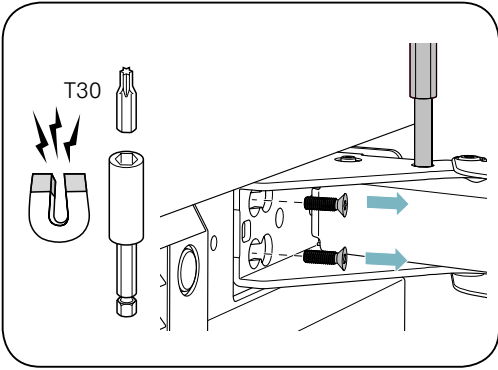
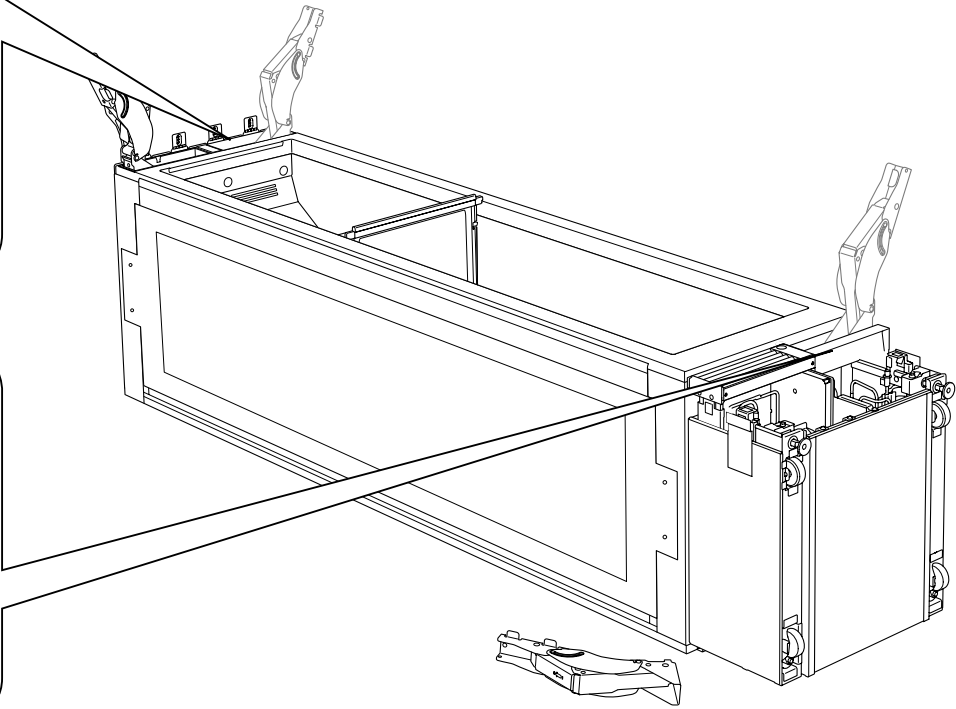
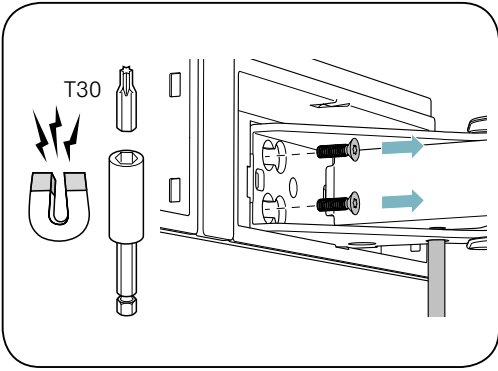
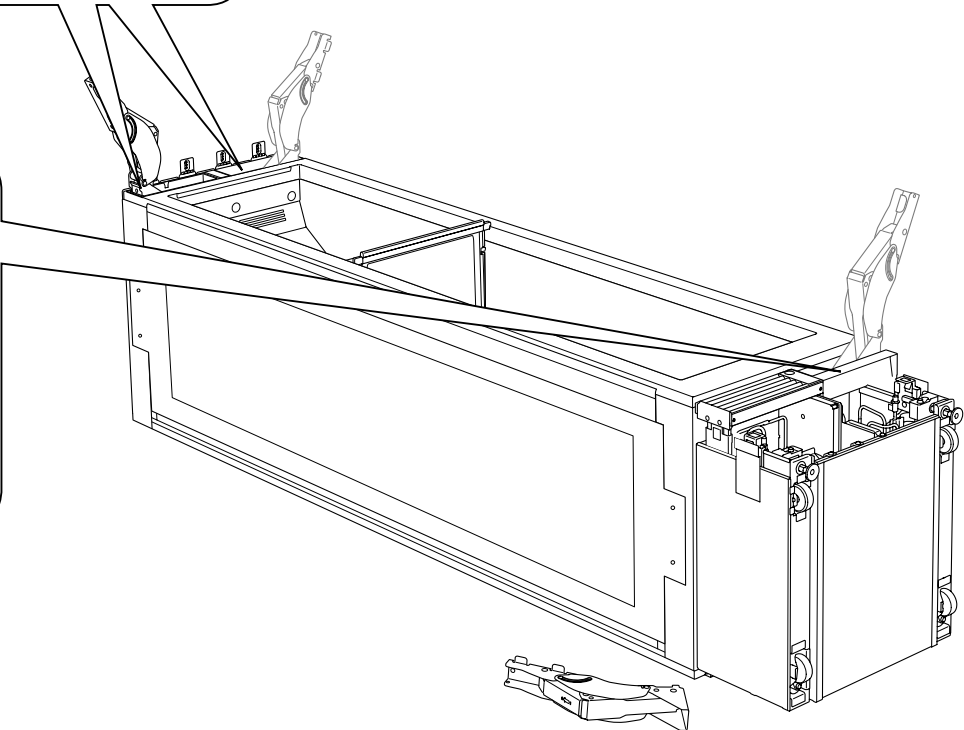
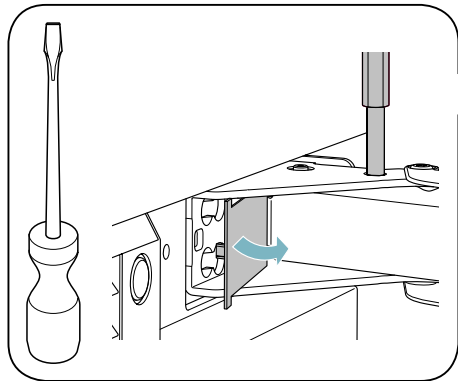
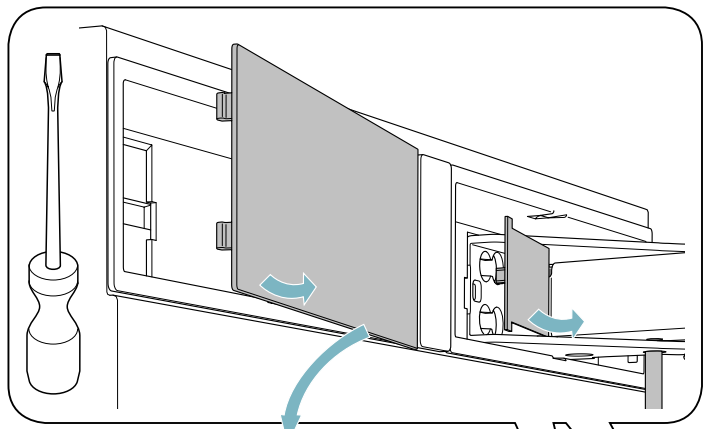
D







A  
B  
C  
D

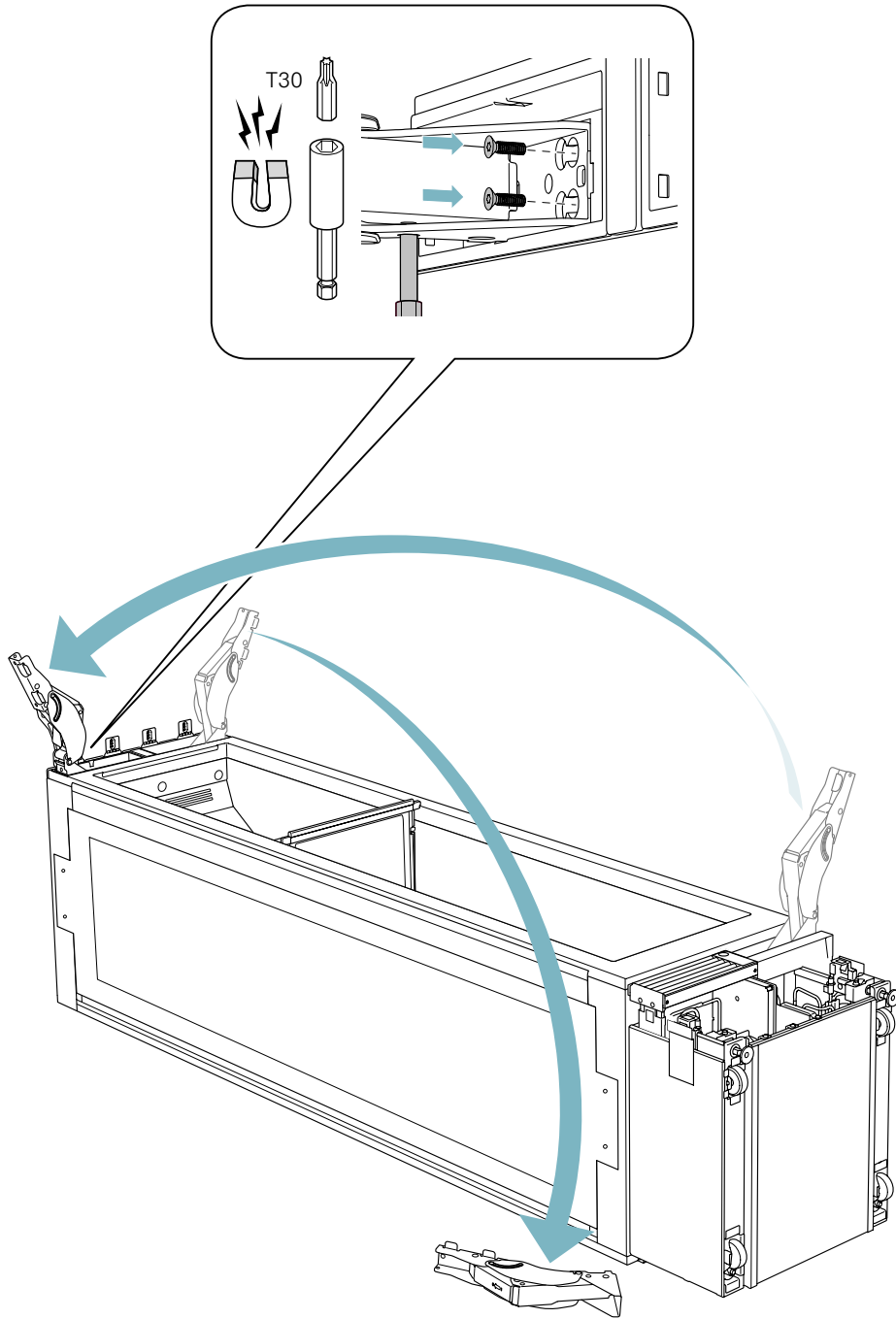


A

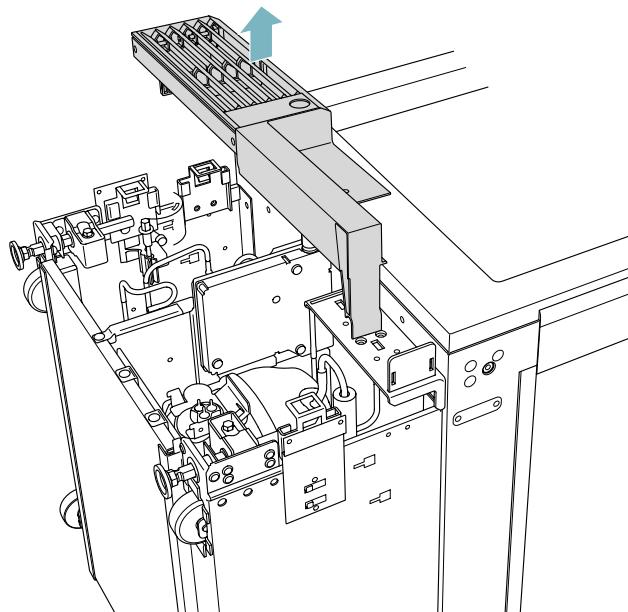
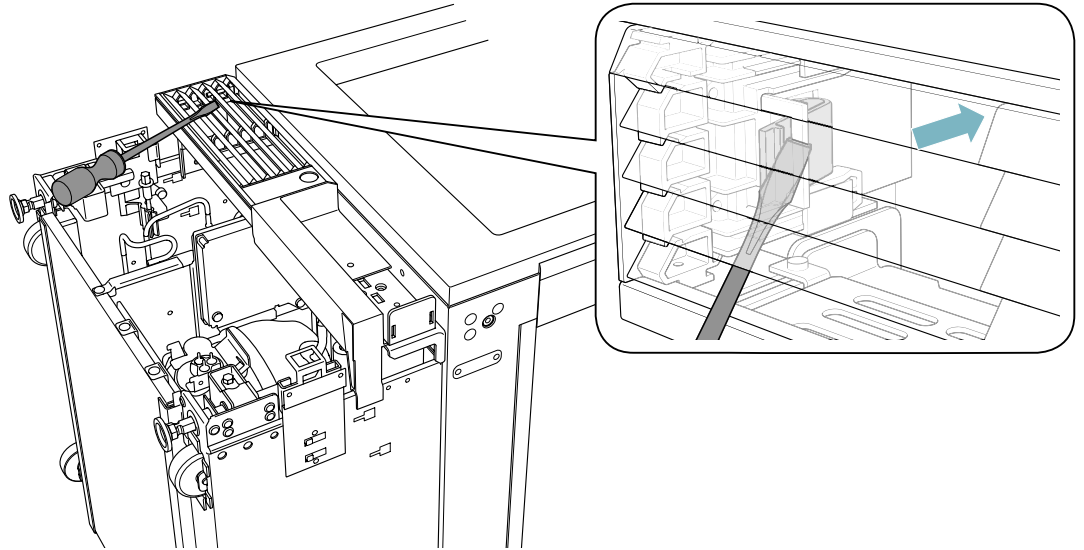
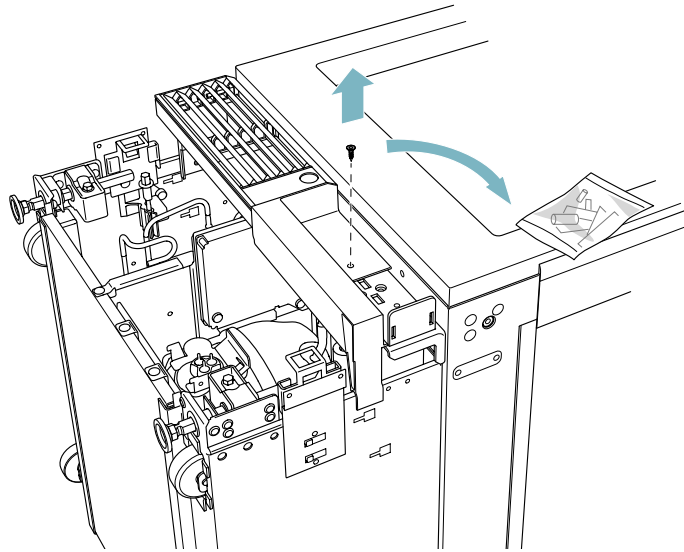
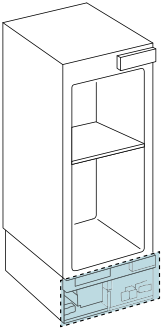
B

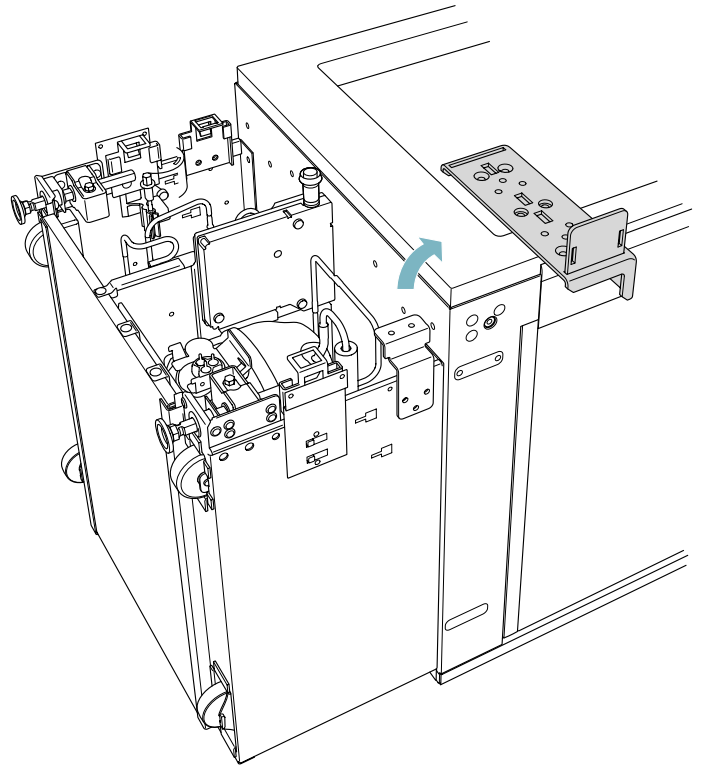
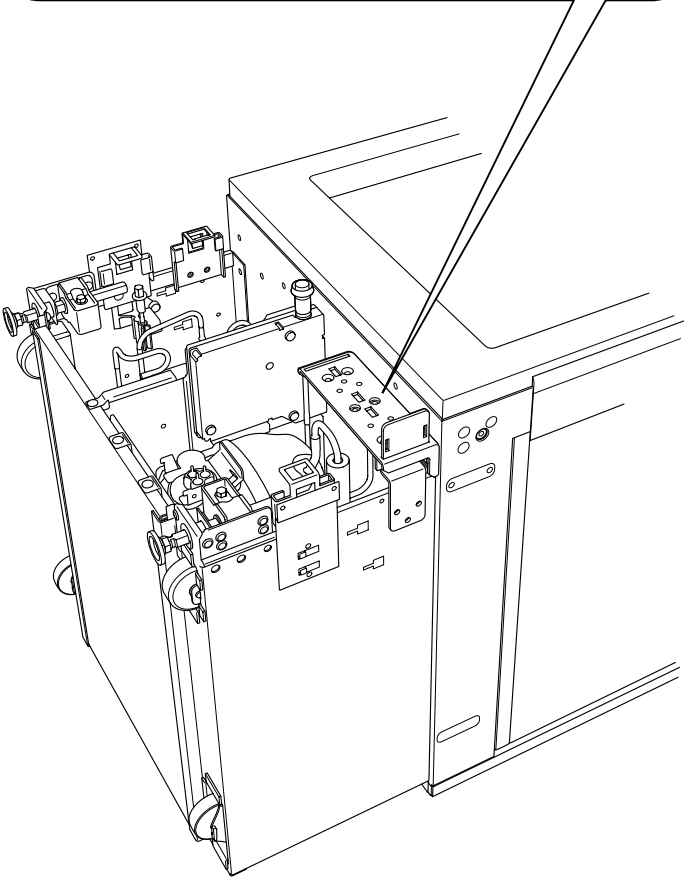
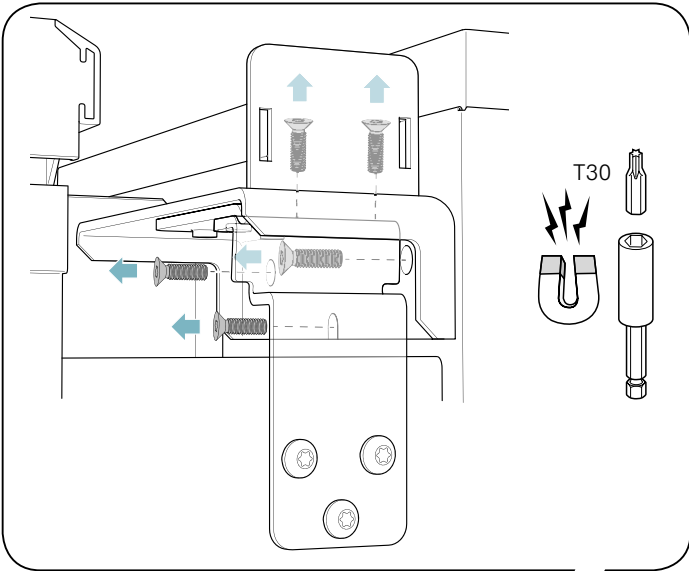
C

D



- A
- B
- C
- D



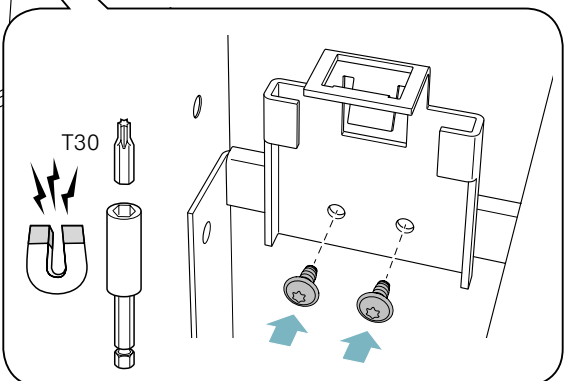
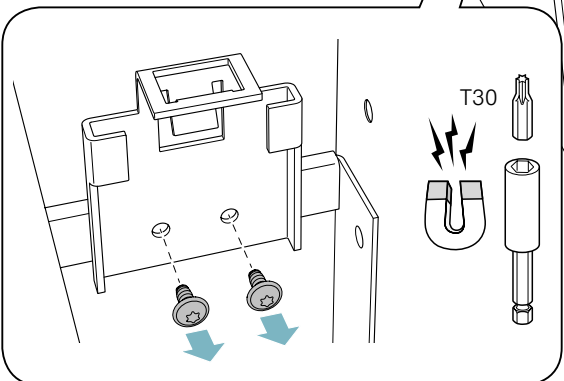
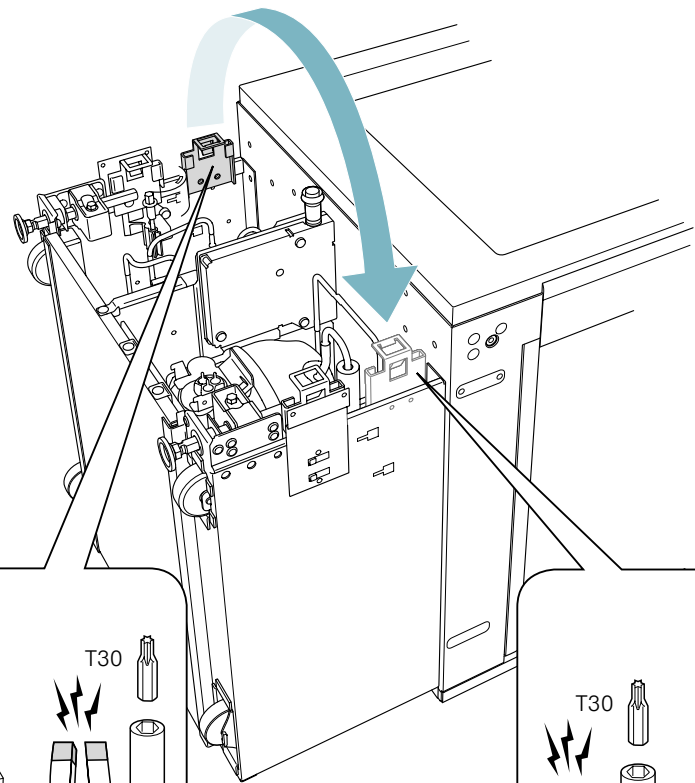
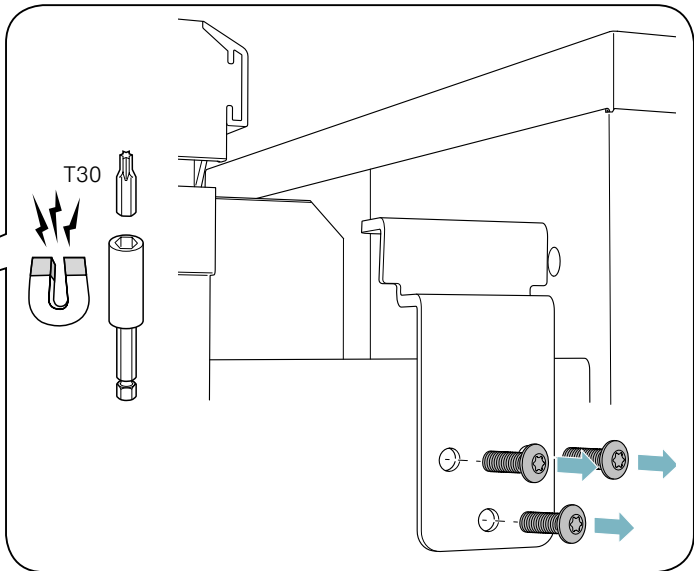
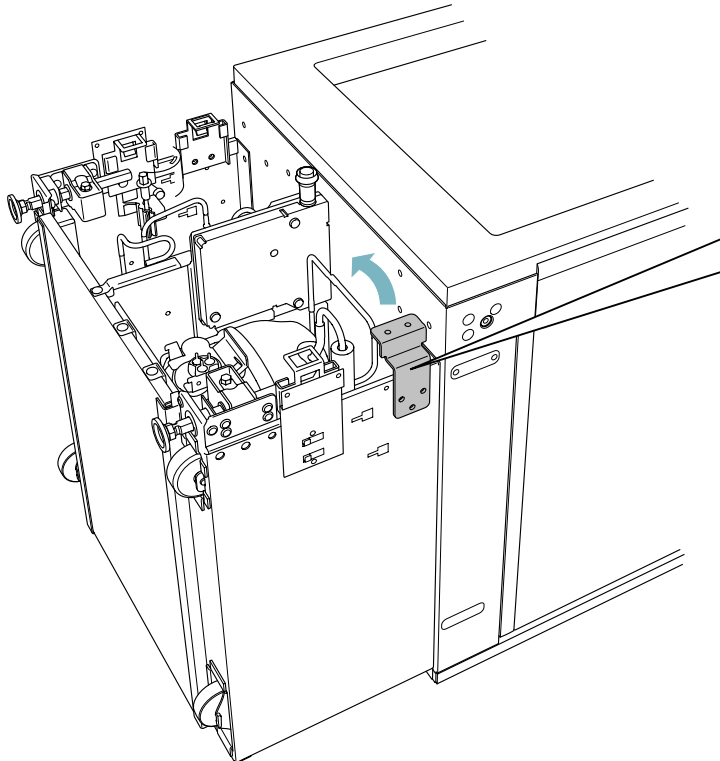


A

B

C

D

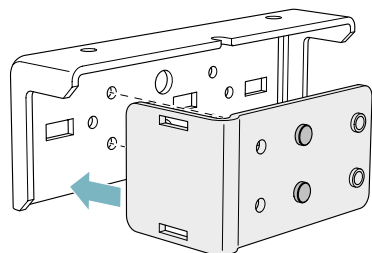
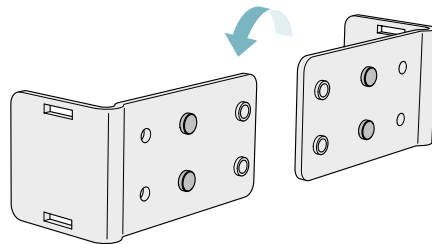
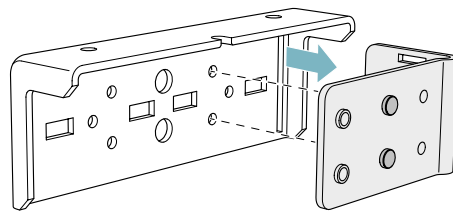
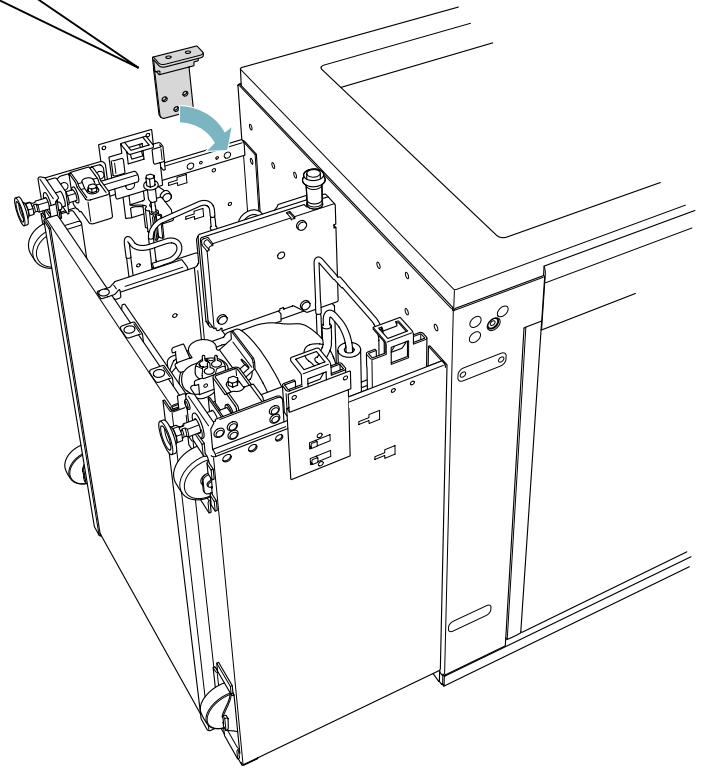
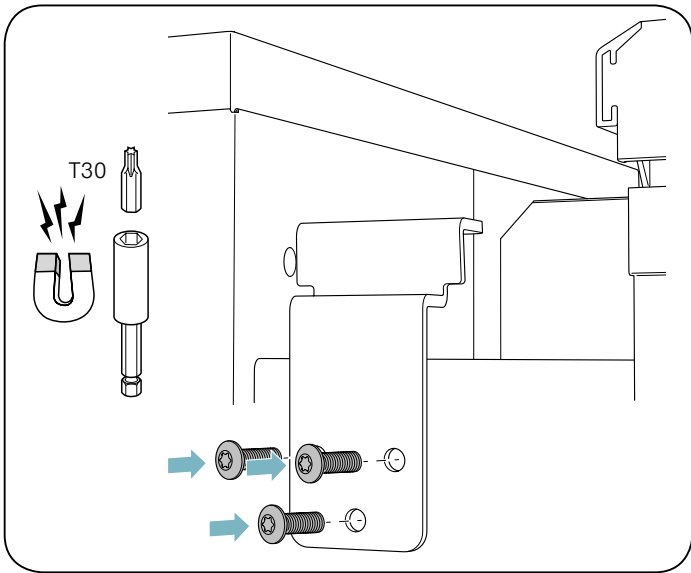


A

B

C

D

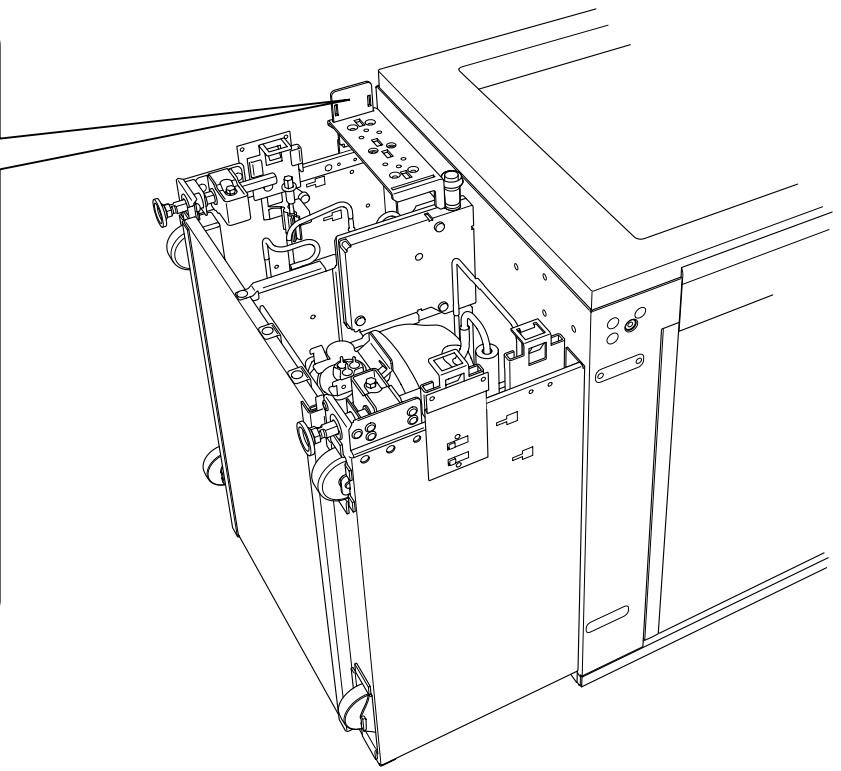
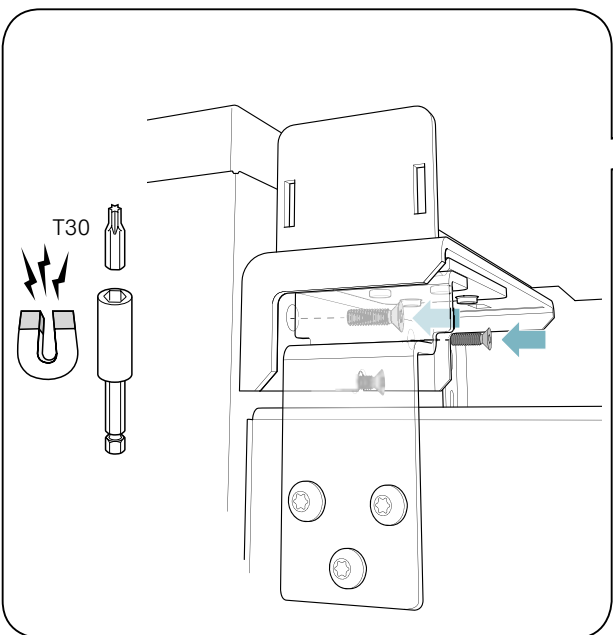
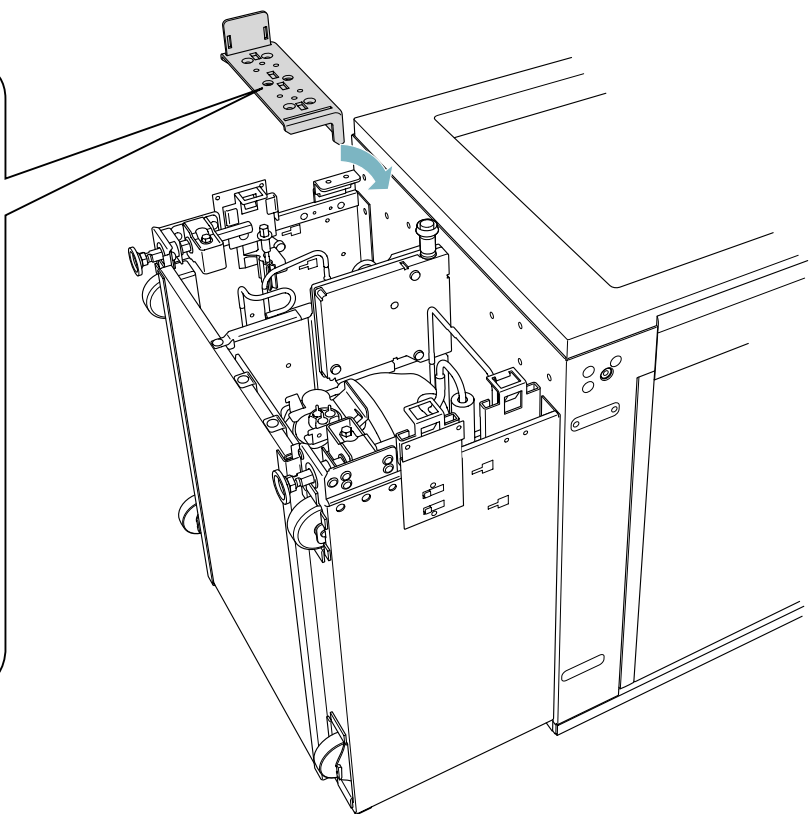
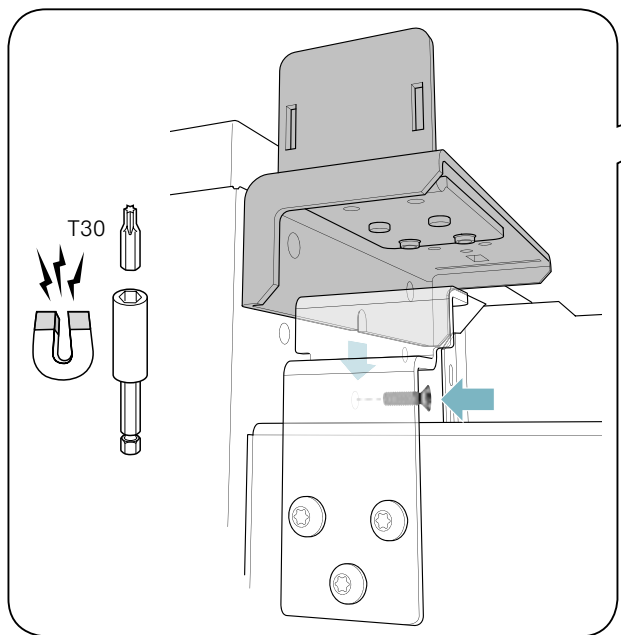


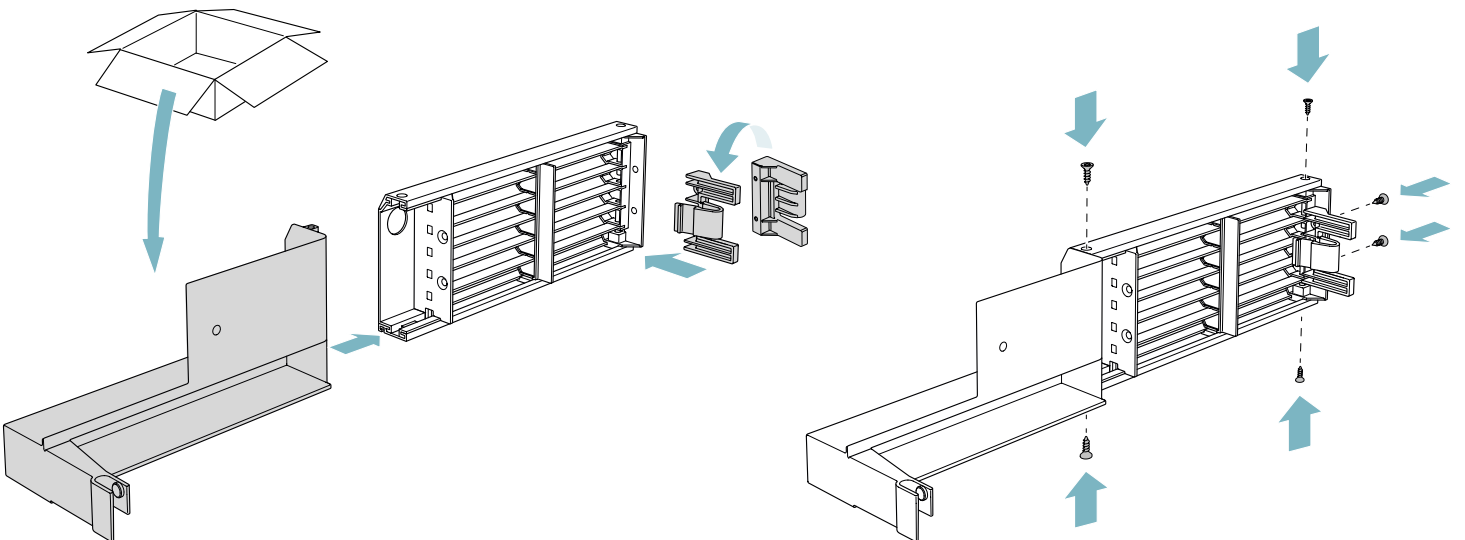
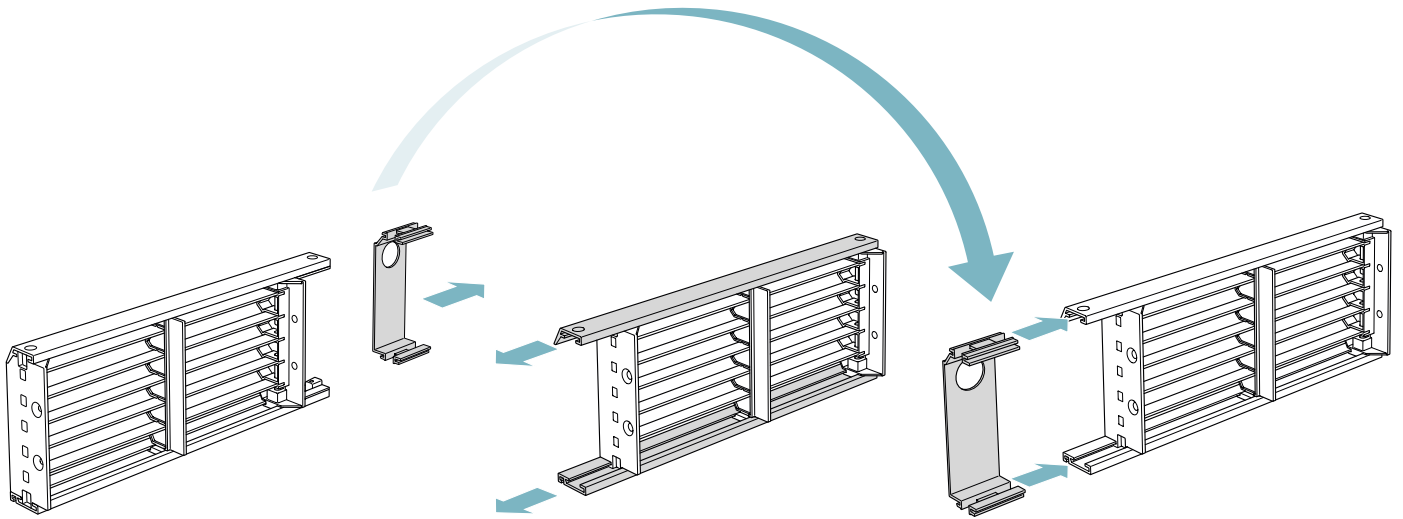
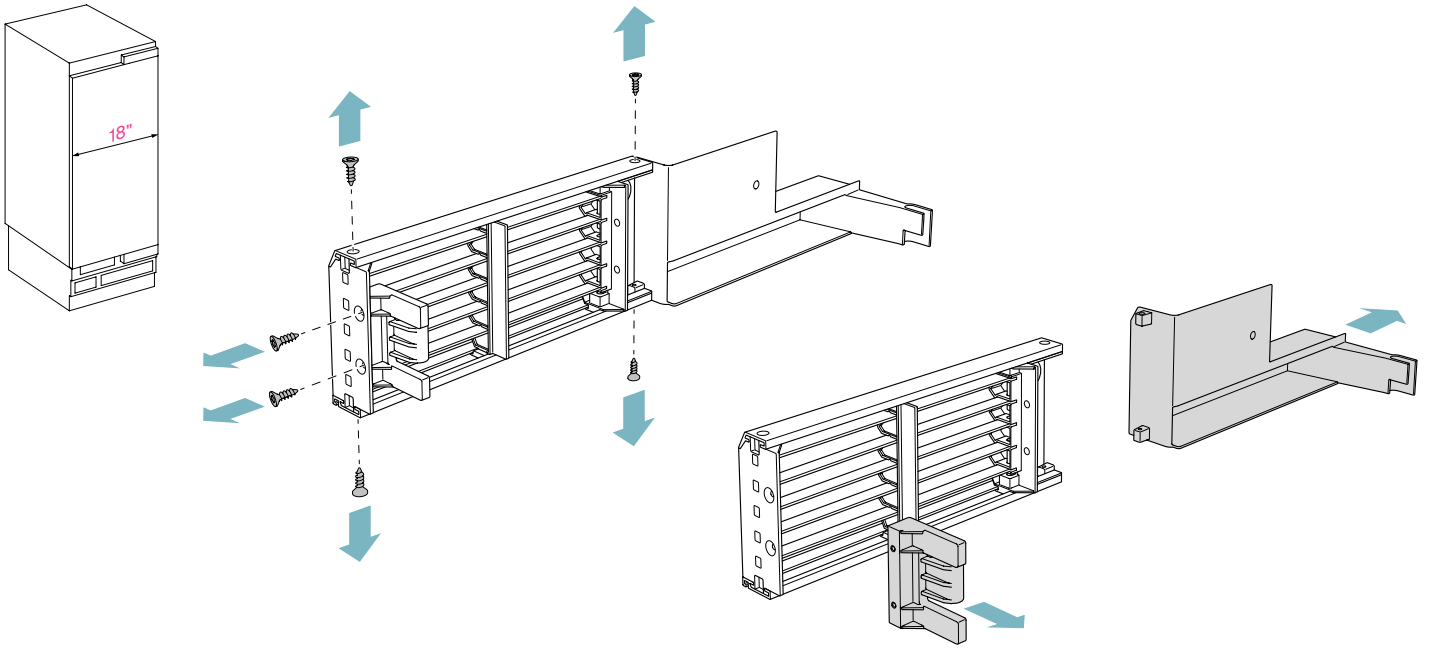
A

B

C

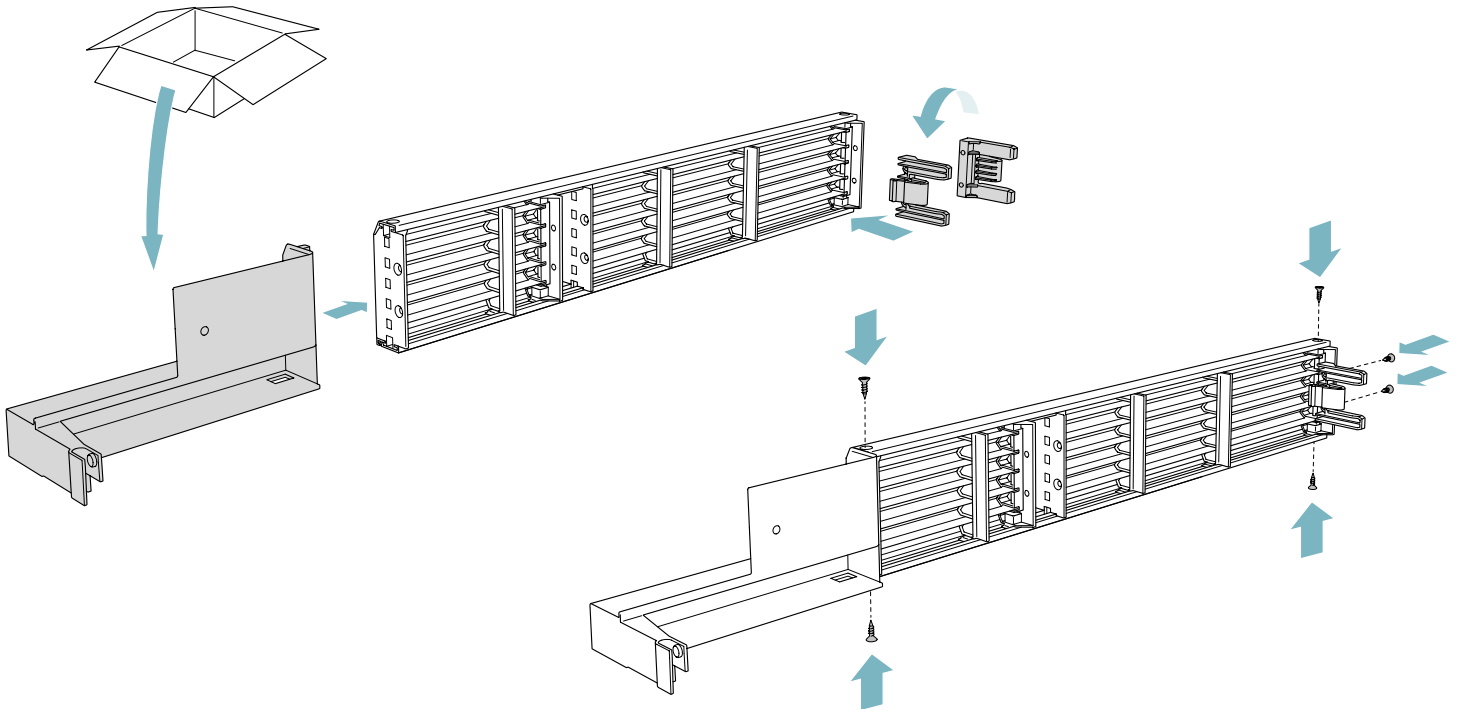
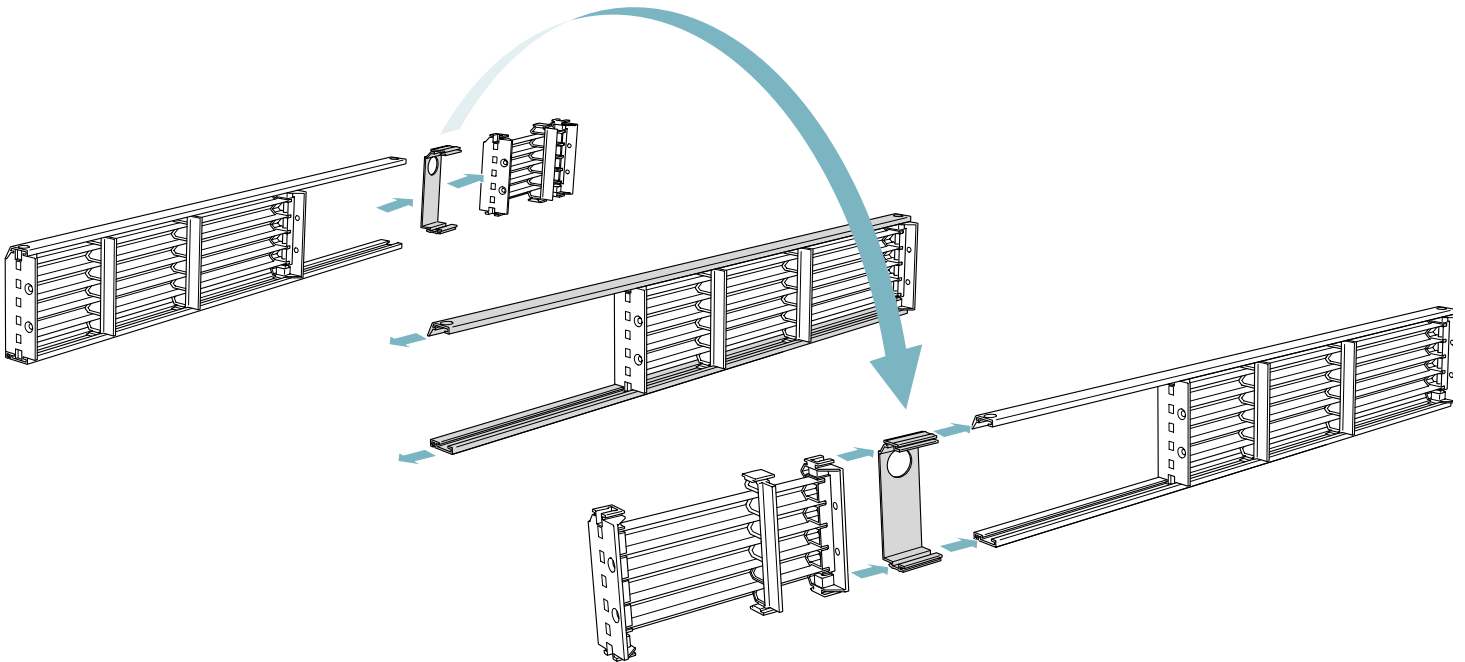
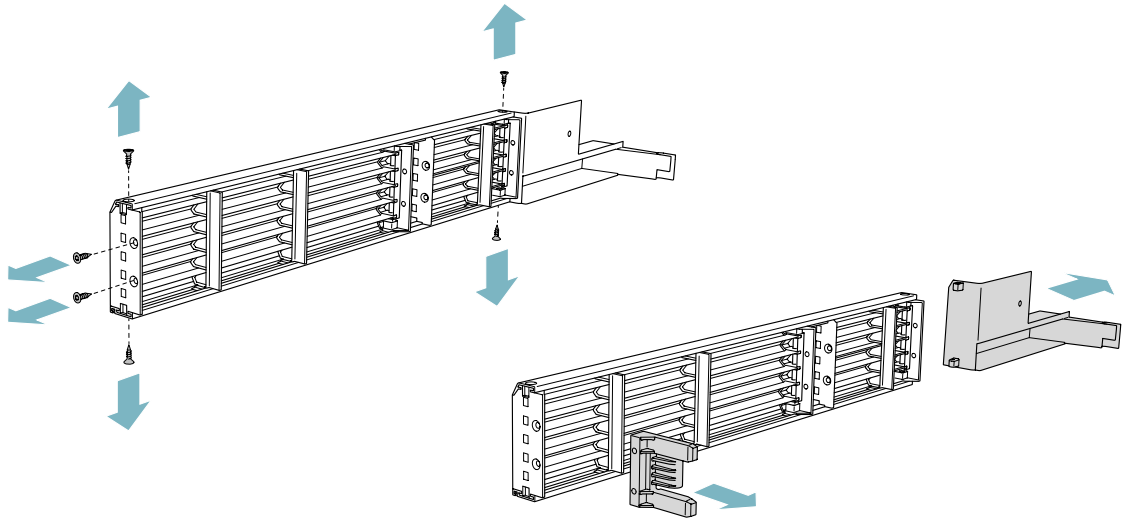
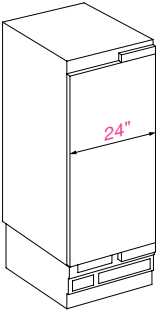
D







A  
B  
C  
D

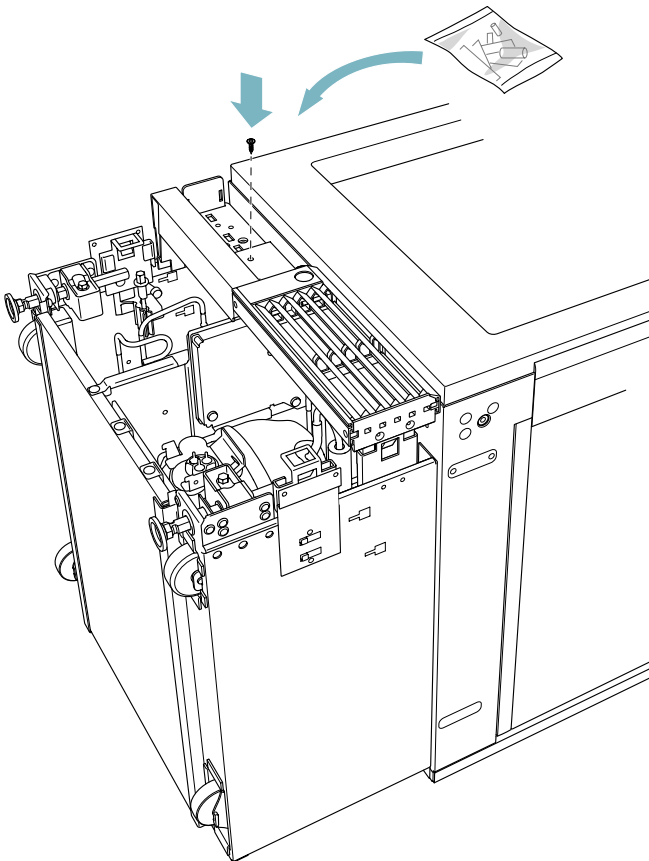
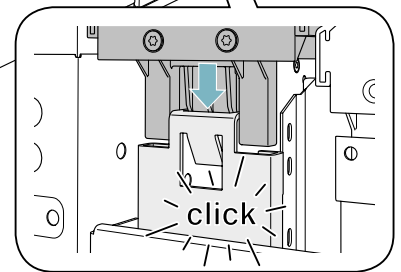
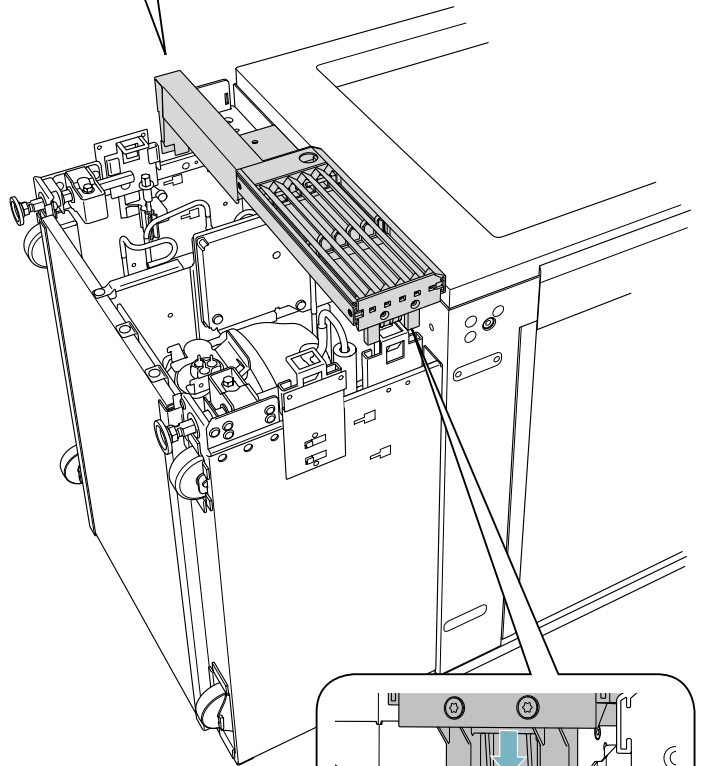
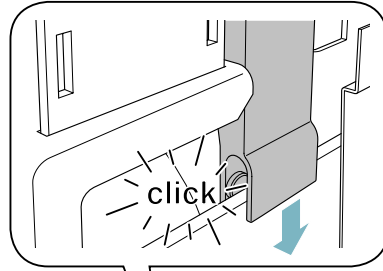
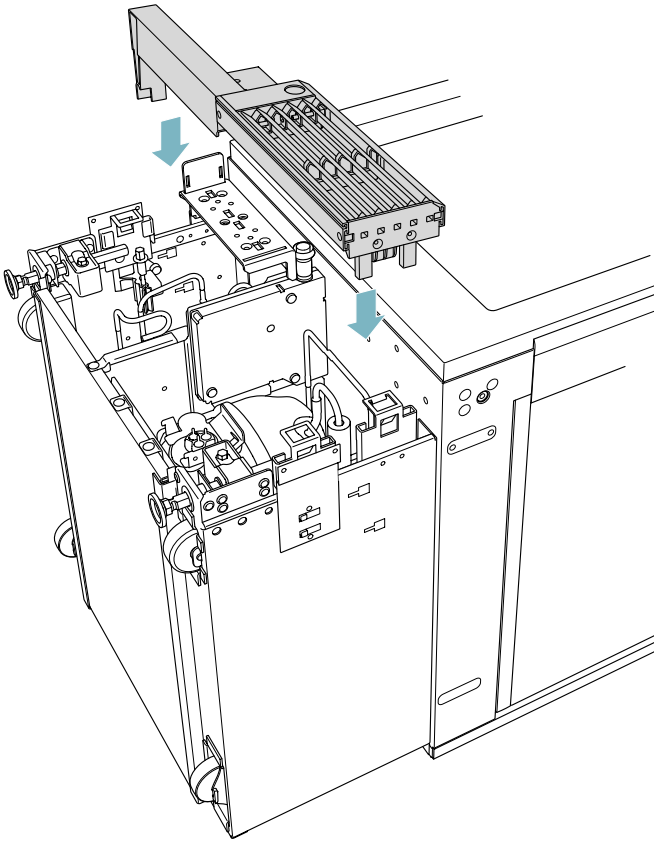


A

B

C

D

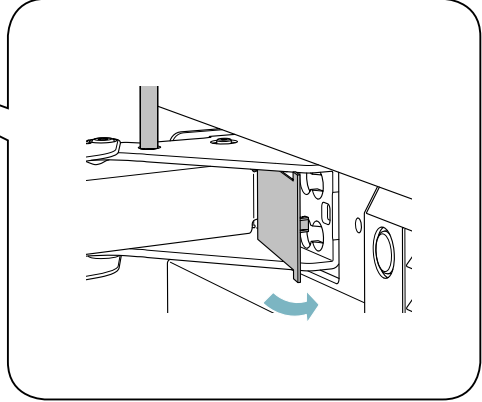
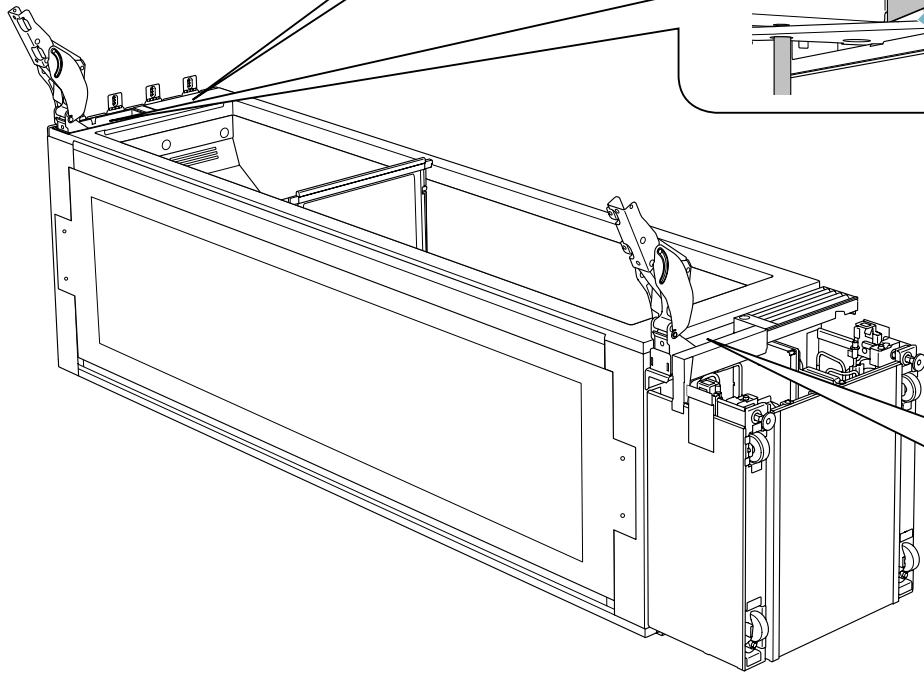
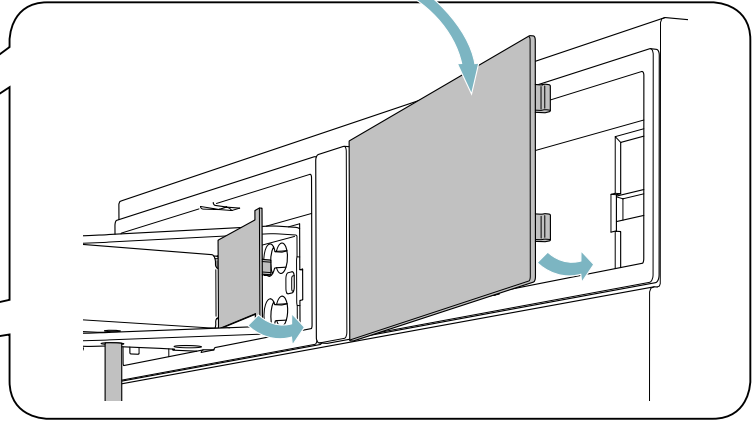
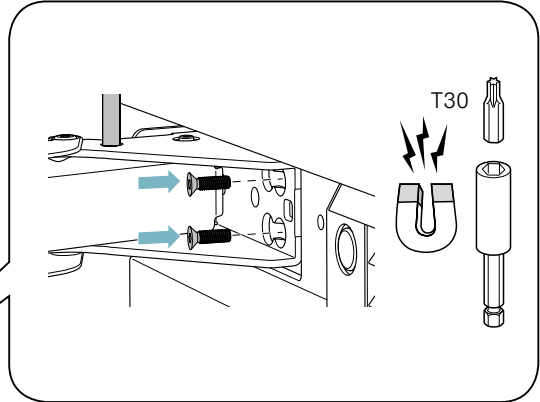
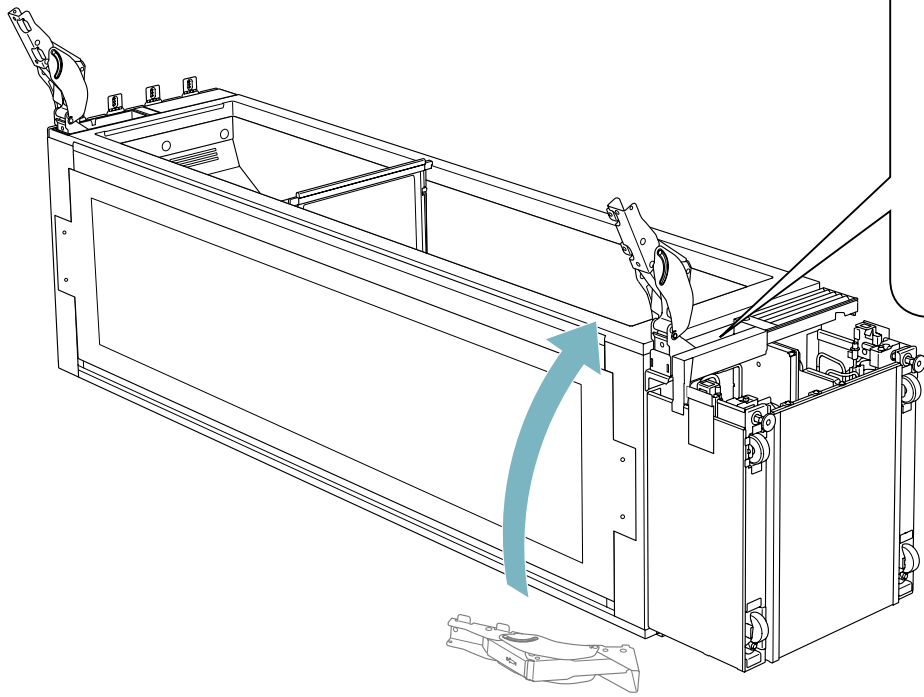


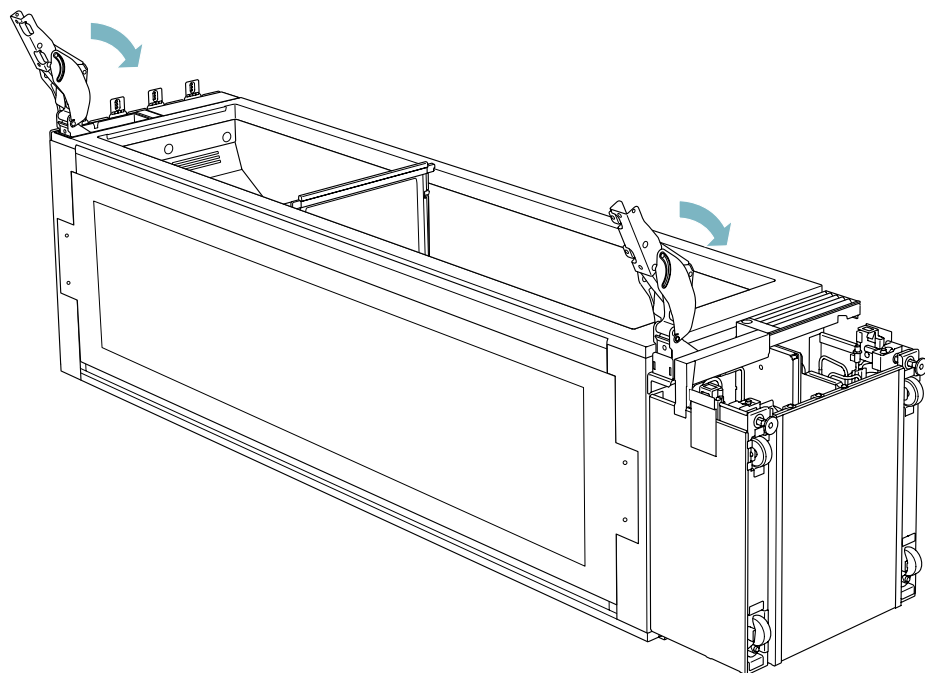
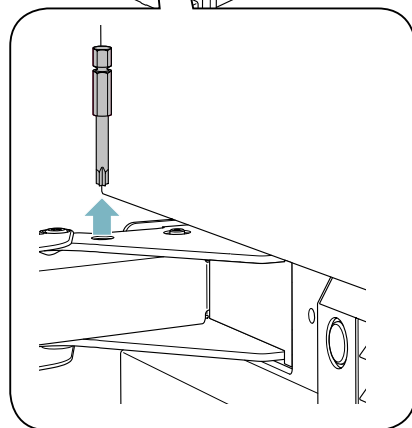
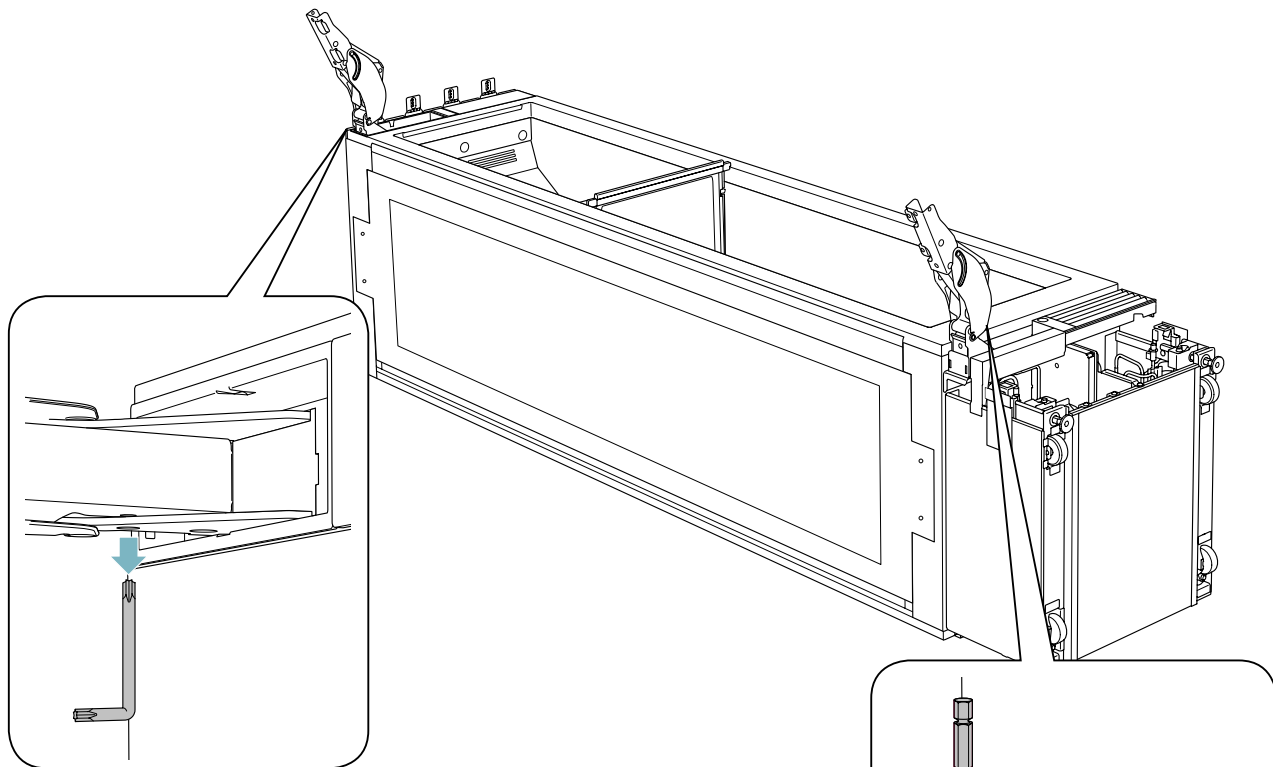
A

B

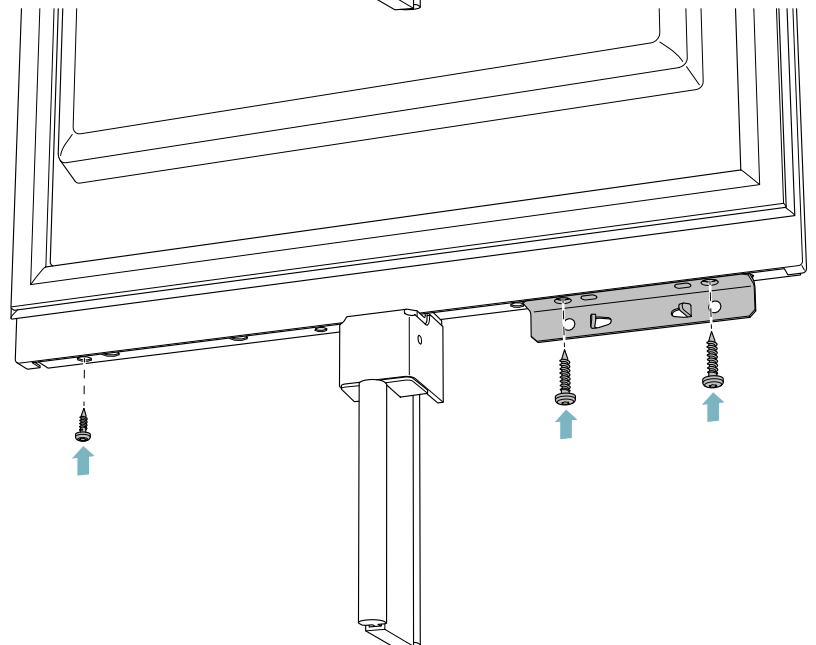
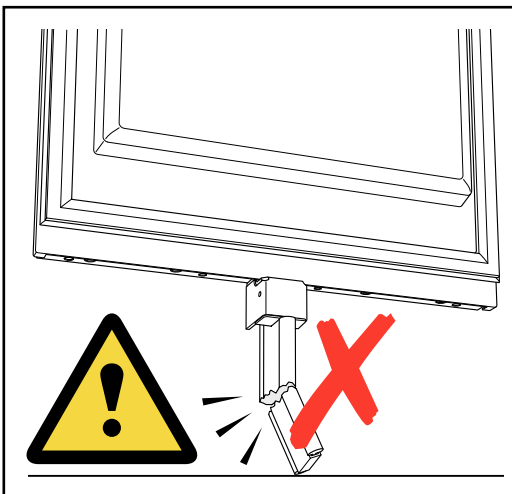
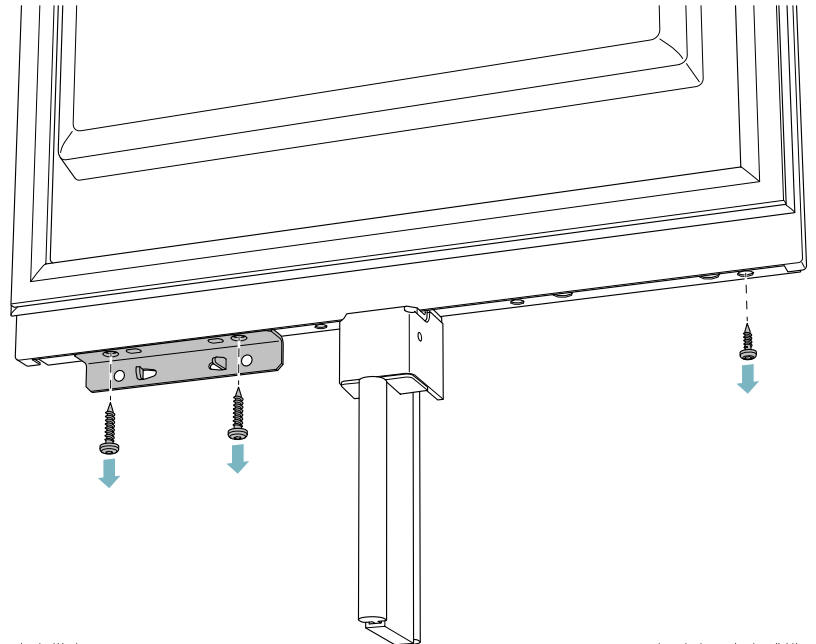
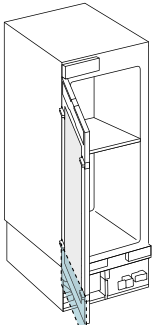
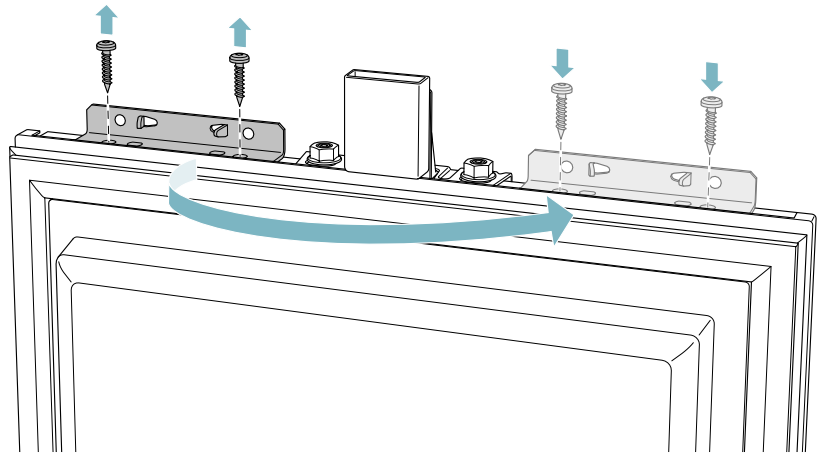
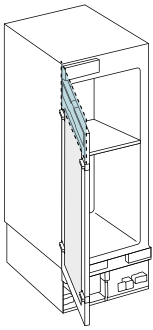
C

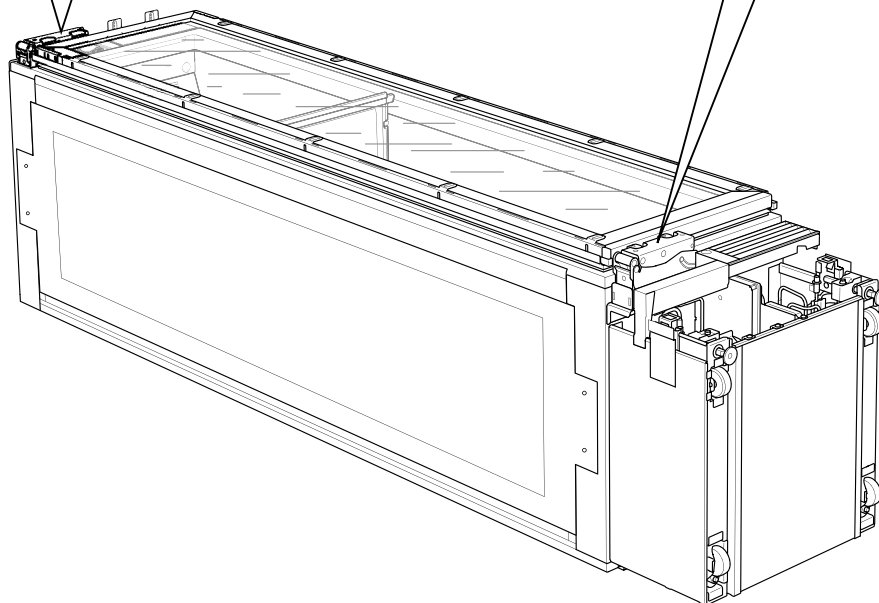
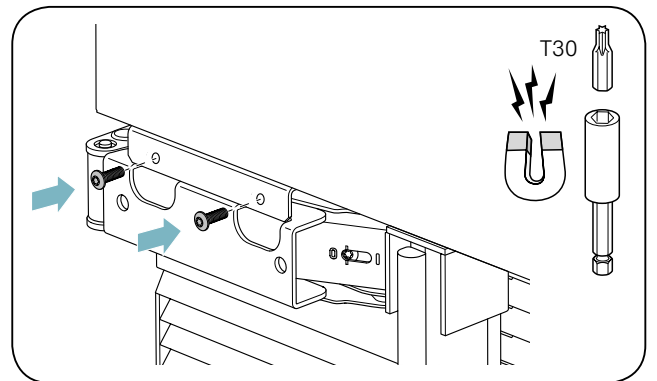
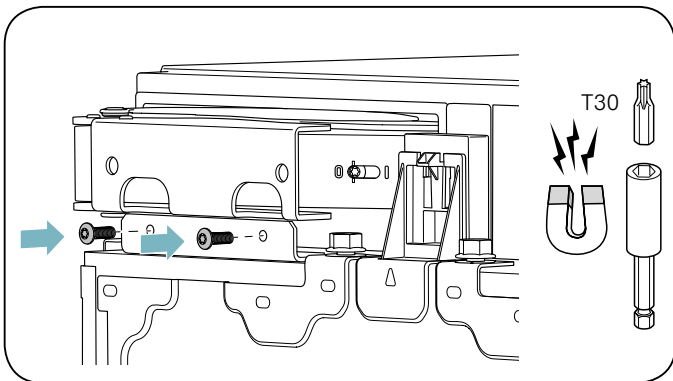
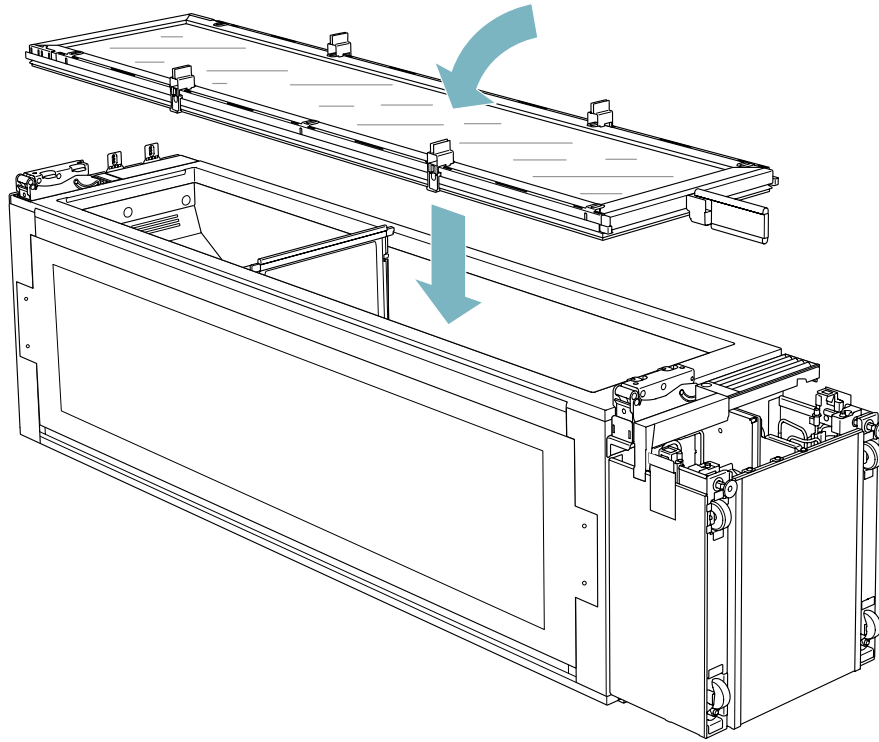
D



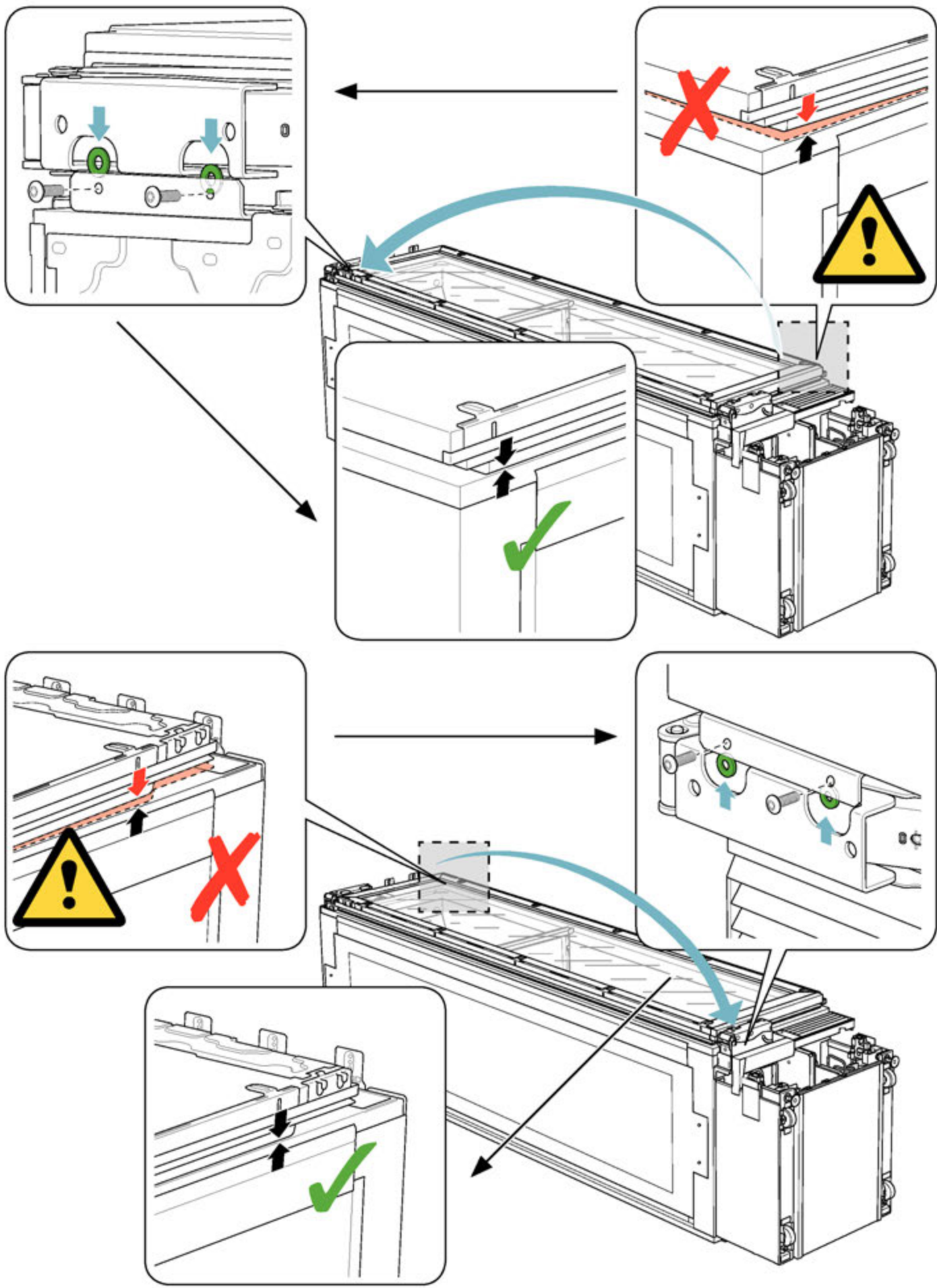


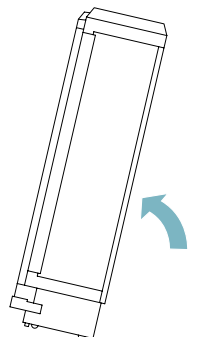
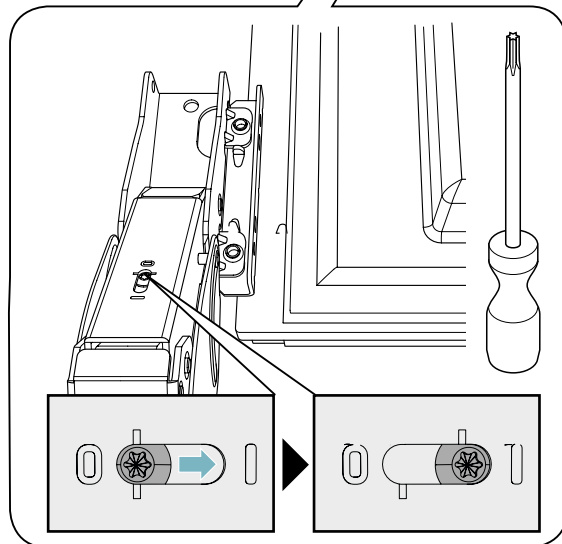
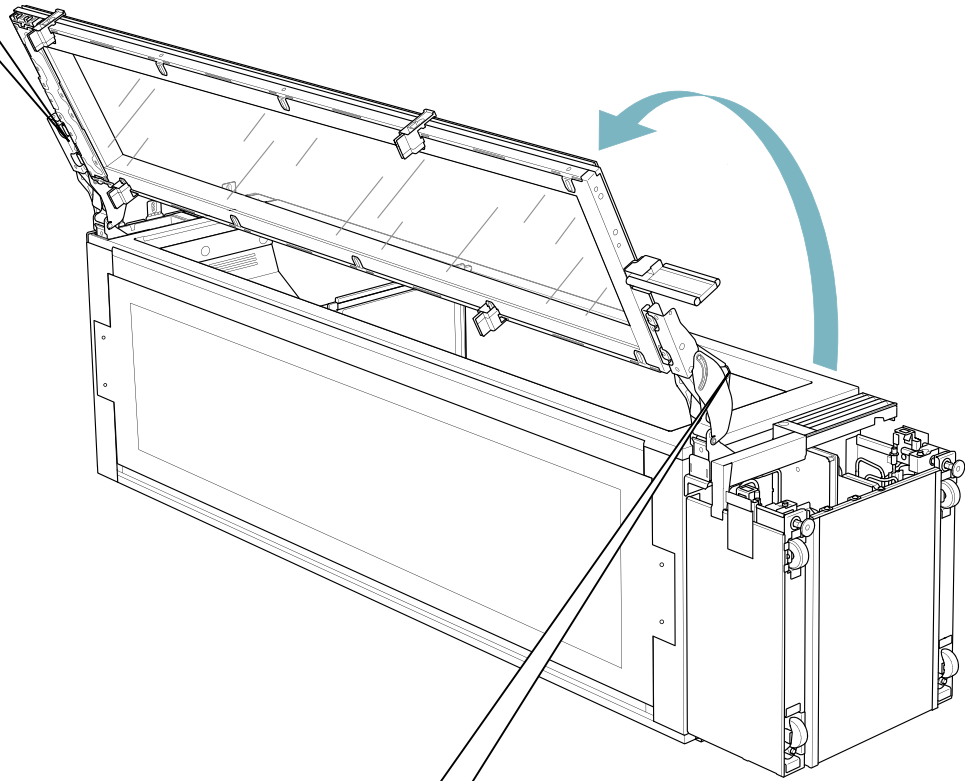
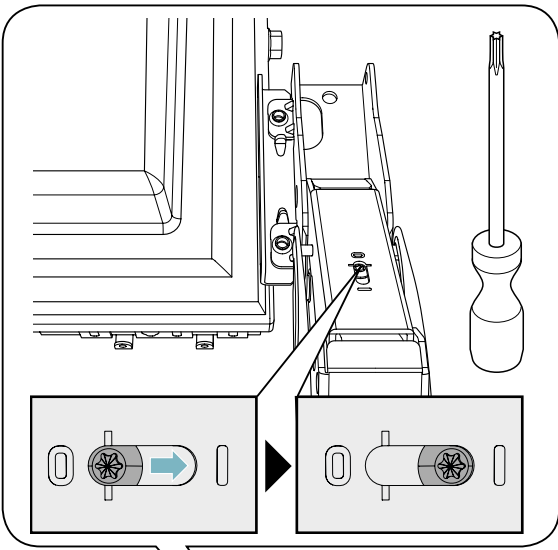
A  
B  
C  
D





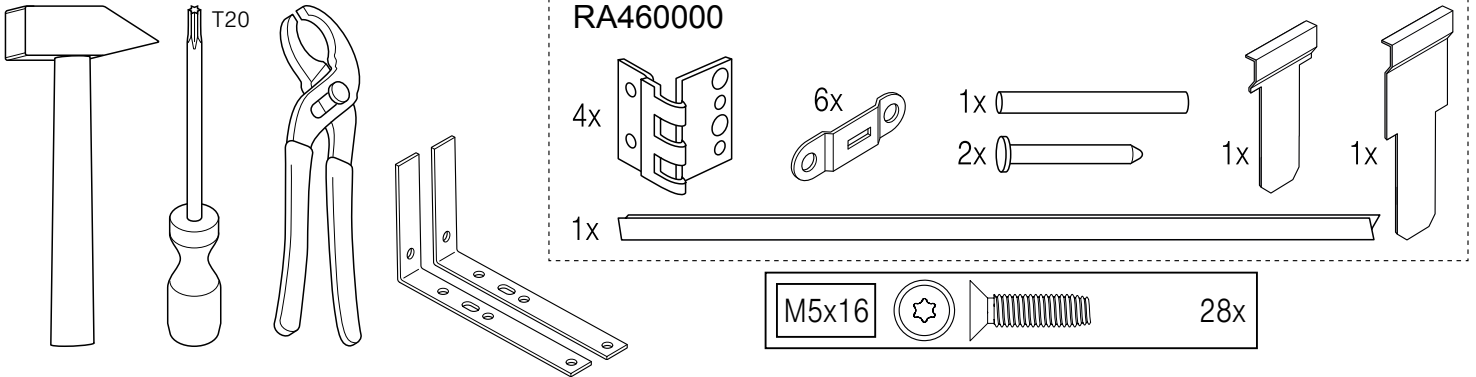
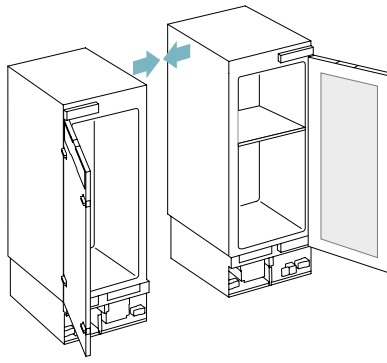
A  
B  
C  
D







A  
B  
C  
D



EN: For all other side-by-side combinations or instances where any appliances are installed less than 6" (152 mm) apart from one another, but not connected side-by-side, purchase the heater kit "KI KISXSKITUS" (Freedom Heater Kit). This kit is also recommended for use with any installation in areas that are subject to extreme humidity.

FR: Pour toutes les autres combinaisons encastrables « côtes-à-côtes » ou pour les appareils encastrés qui sont à moins de 6 pouces (152 mm) l'un de l'autre, mais qui ne sont pas reliés entre eux, il faut acheter la trousse chauffage « KI KISXSKITUS » (Freedom Heater Kit) en sus. Cette trousse est recommandée pour les installations dans les zones extrêmement humides.

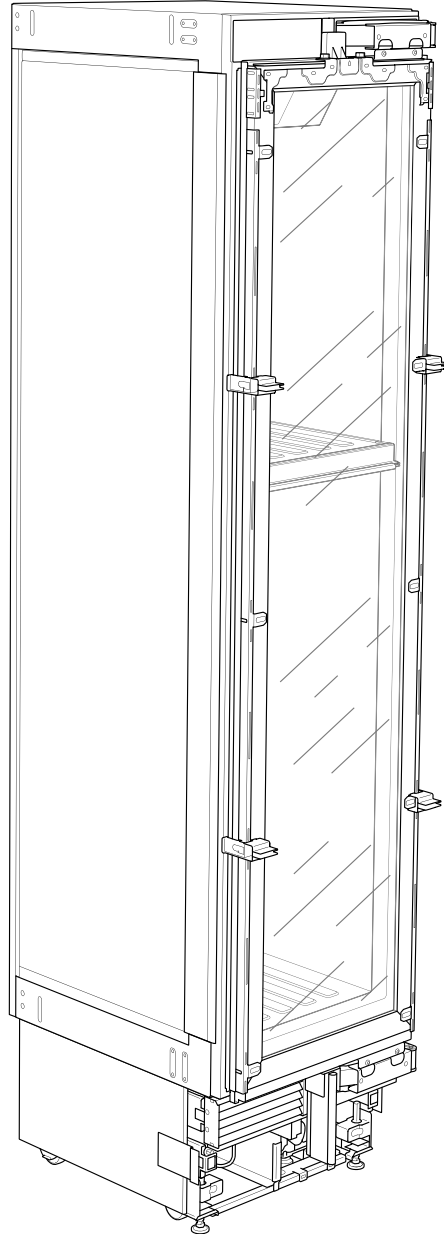
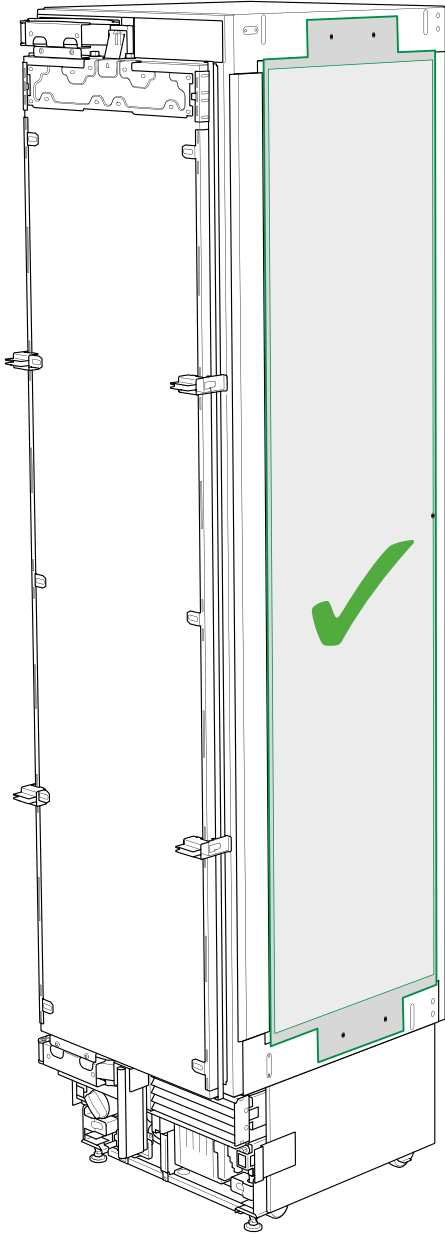
ES: En todos los otros combinados empotrados "Side-by-Side" o en aquellos aparatos que están empotrados entre sí a una distancia inferior a 6 pulgadas (152 mm), pero que no están unidos entre sí, rogamos que se compre además el juego de piezas de calefacción "KI KISXSKITUS" (Freedom Heater Kit)". Este juego de piezas es recomendable también para el montaje en áreas extremadamente húmedas.

A

B

C

D





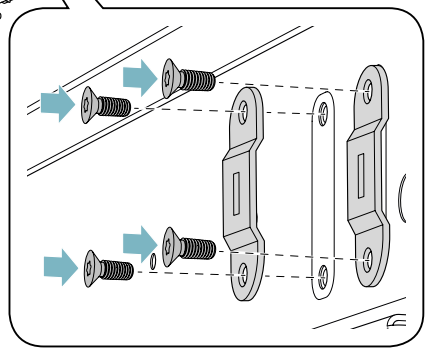
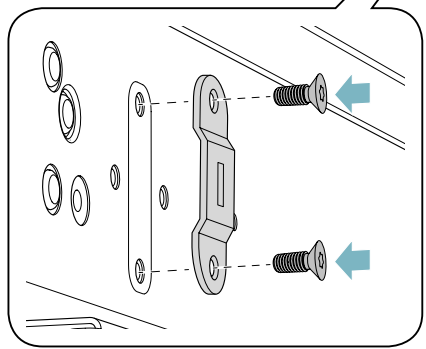
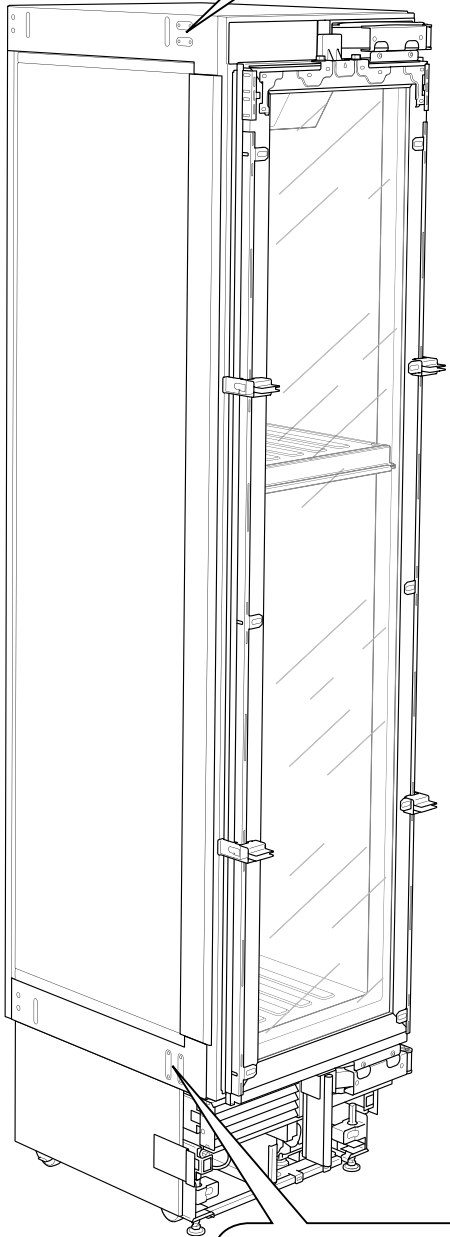
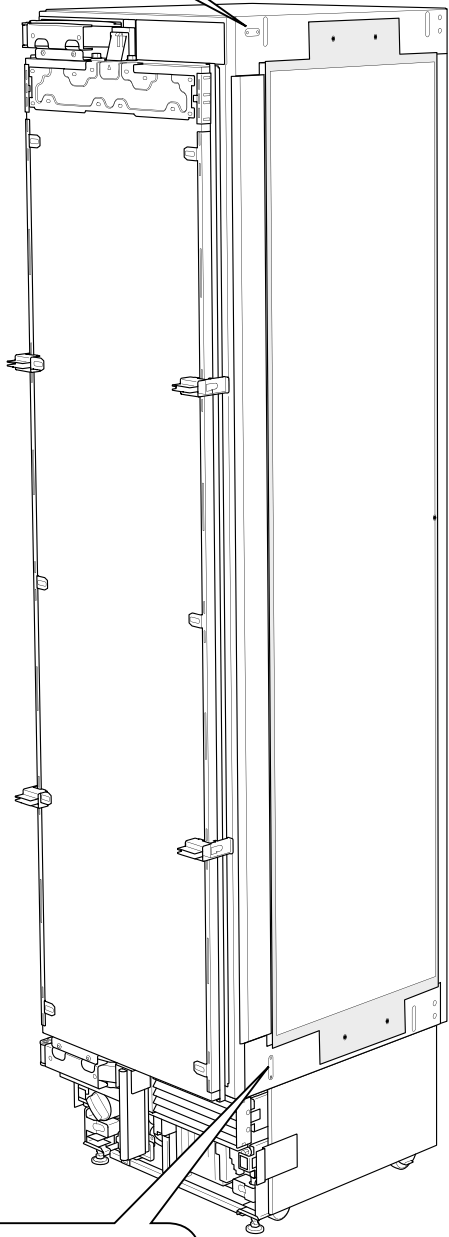
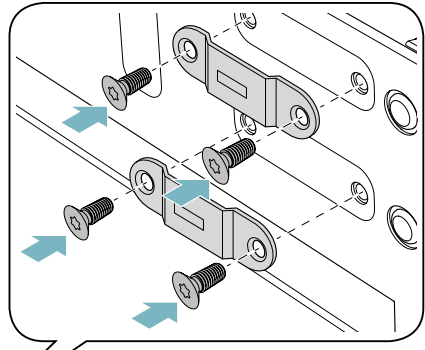
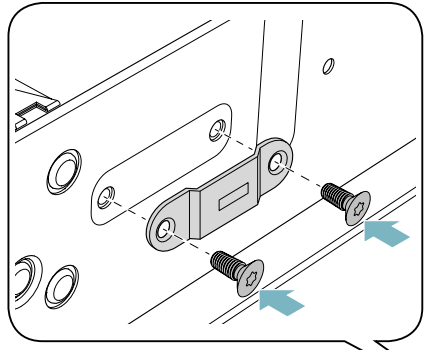
A

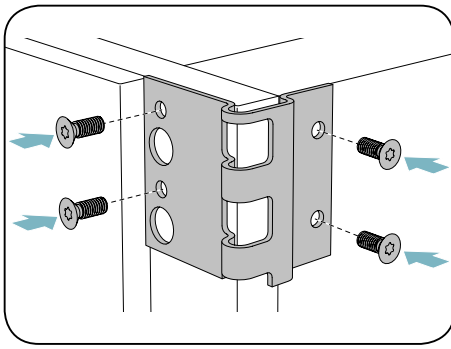
B



C

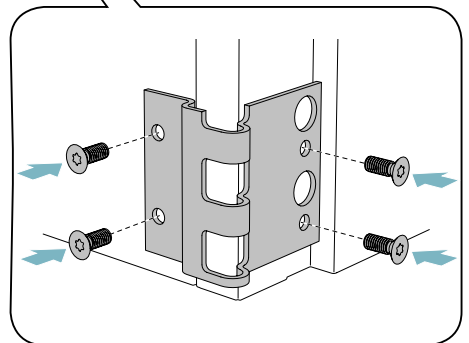
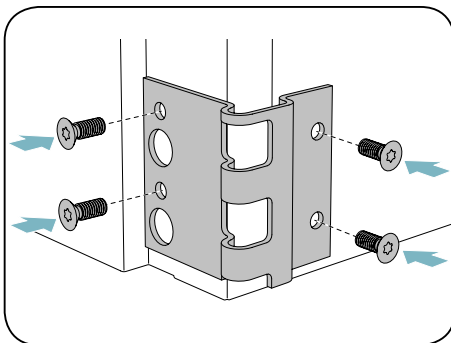
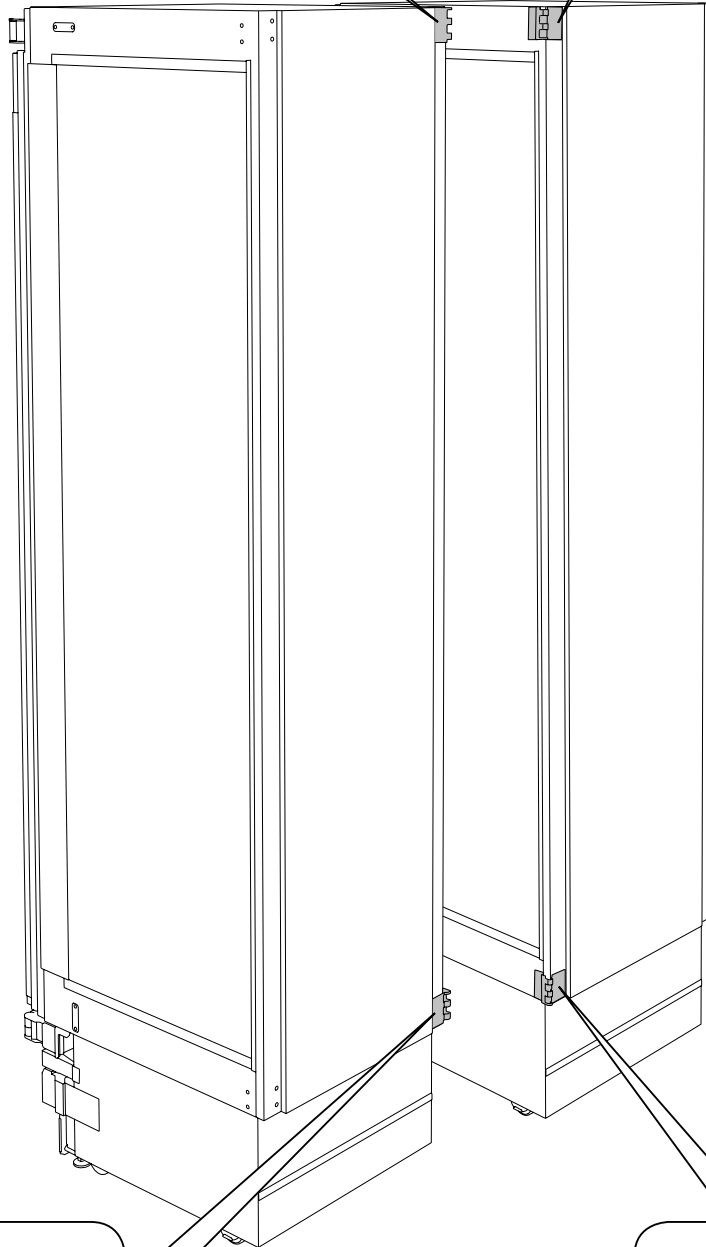
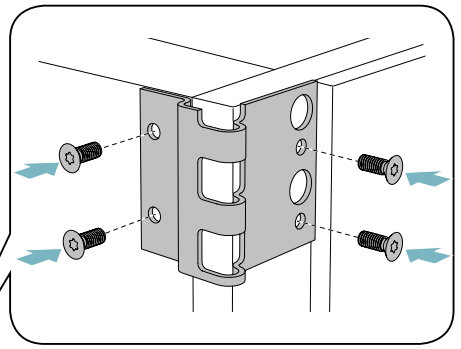
D

M5x16   12x





M5x16   16x



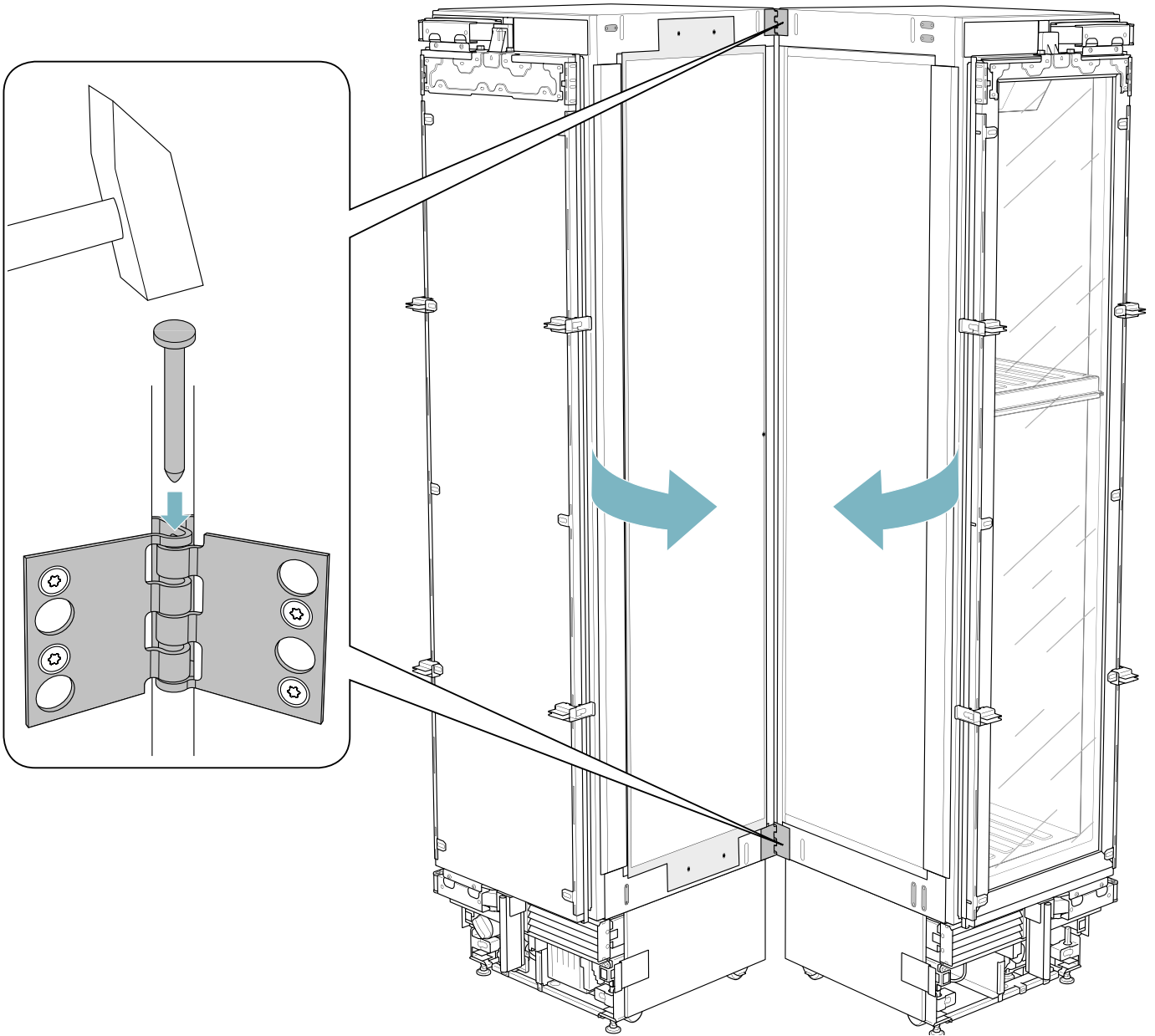
- A
- B
- C
- D

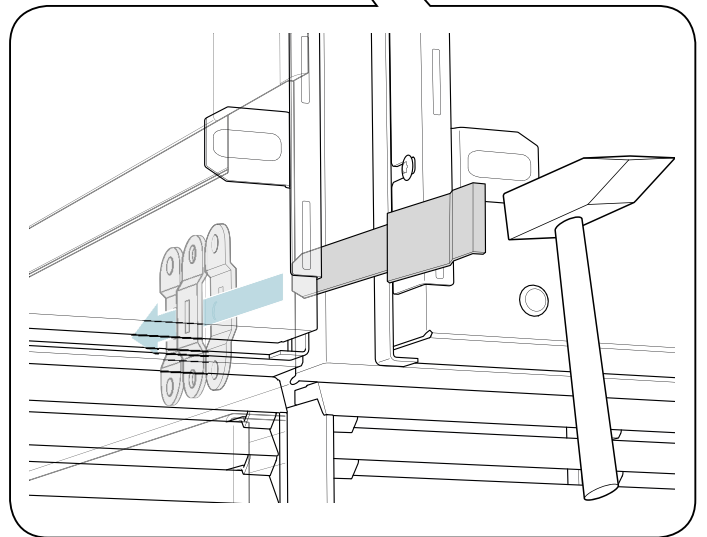
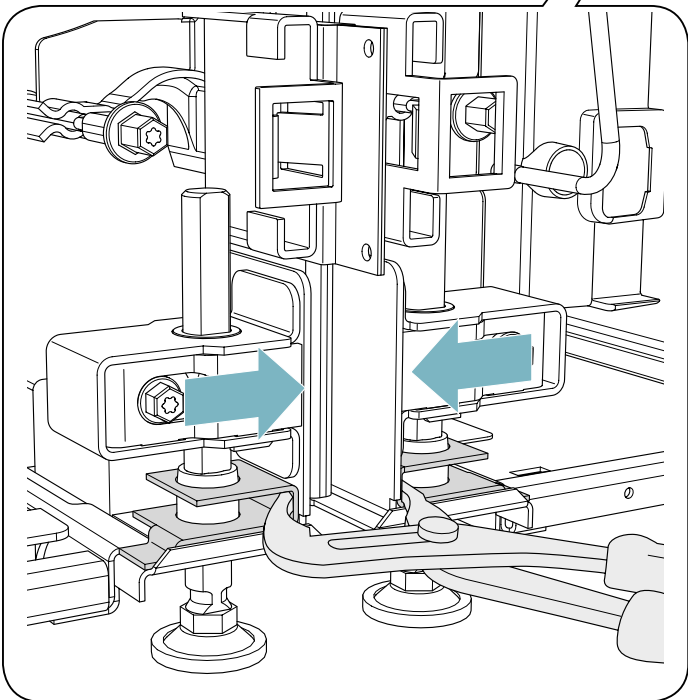
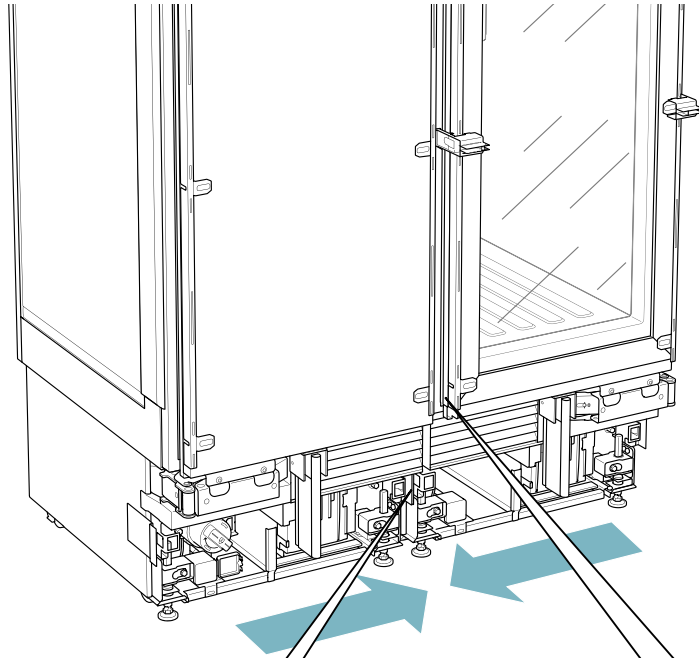
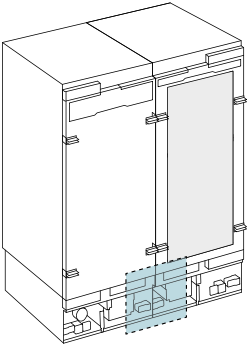
A

B

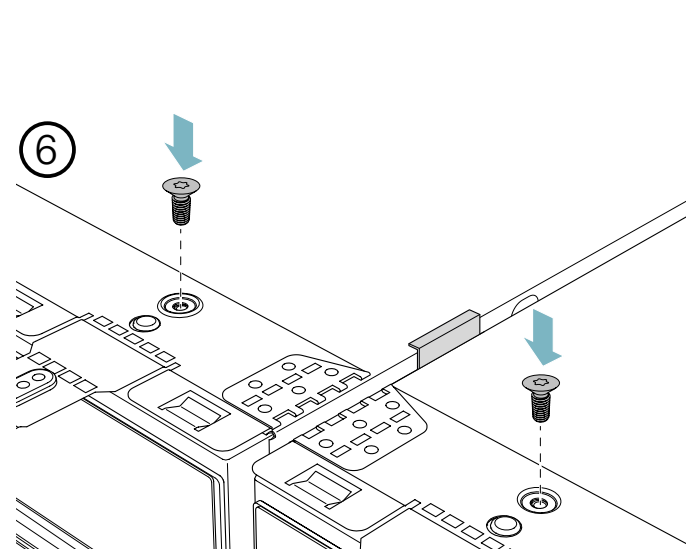
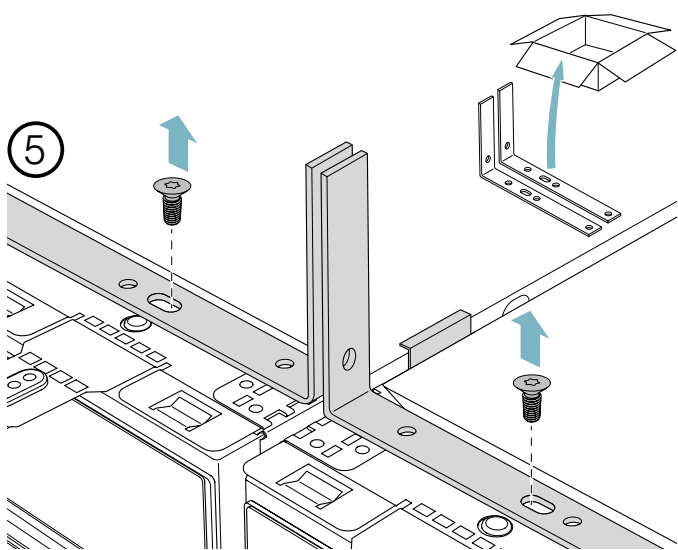
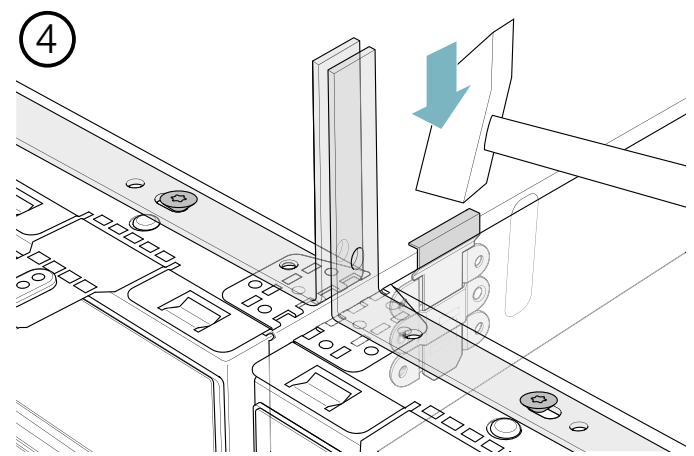
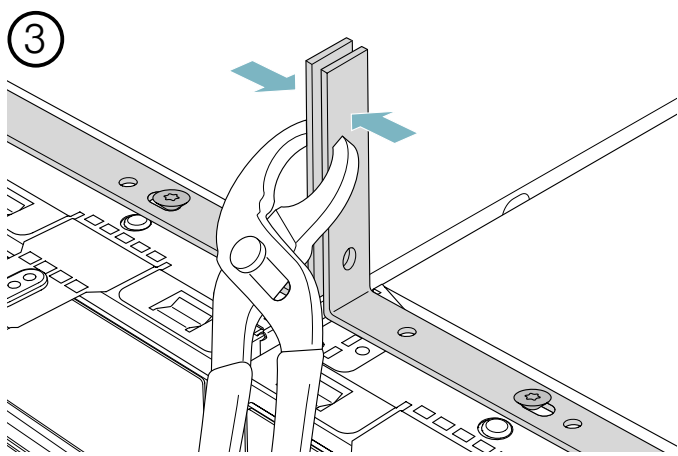
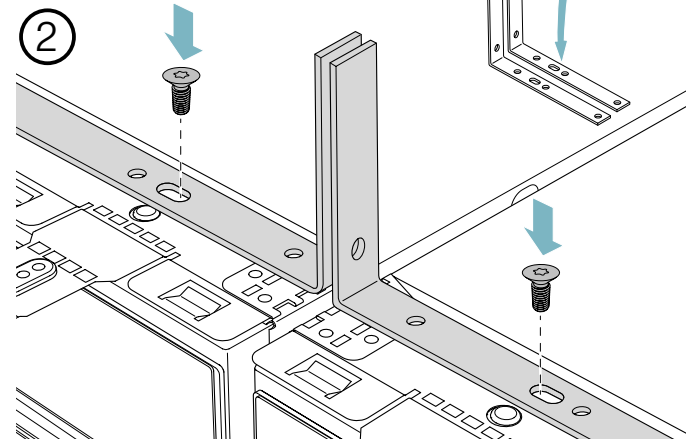
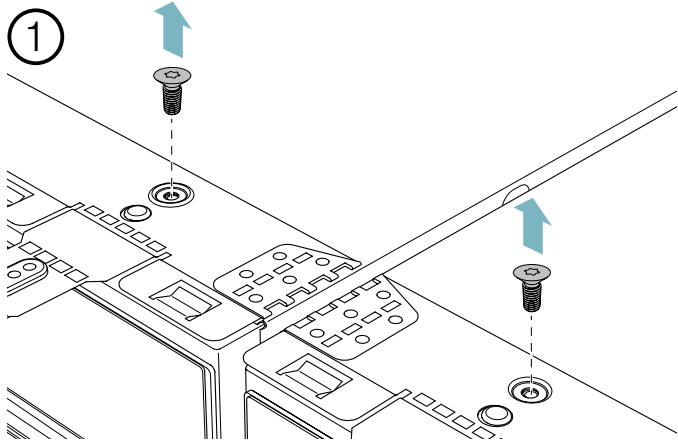
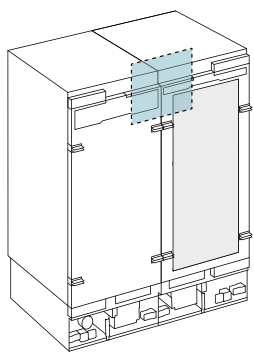
C

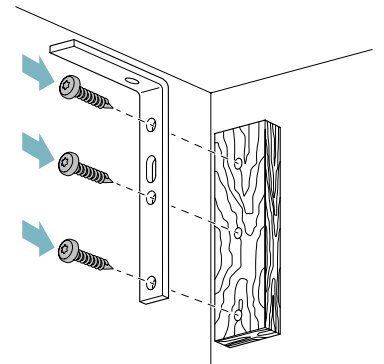
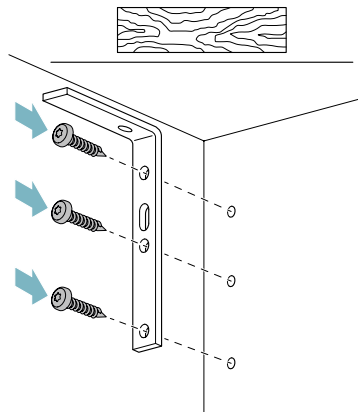
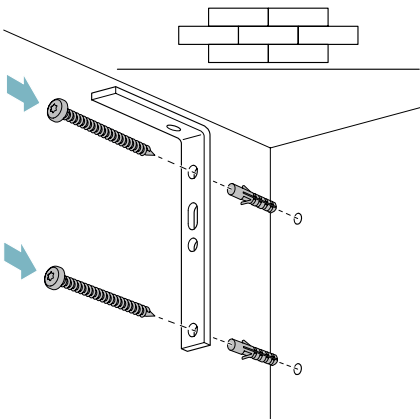
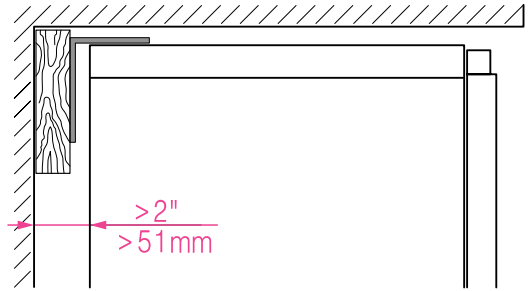
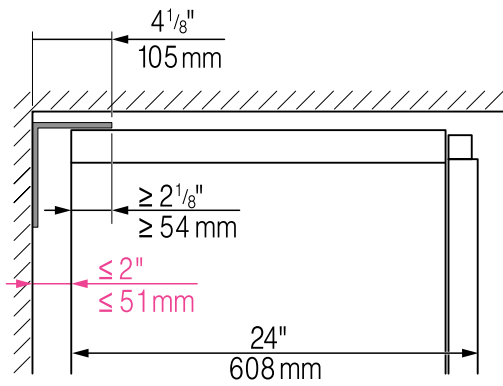
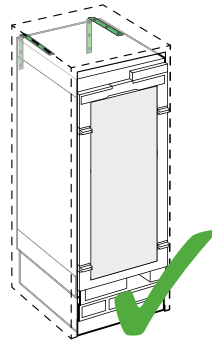
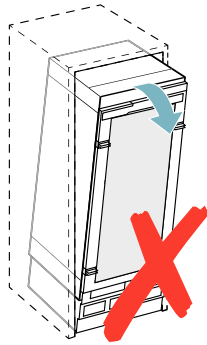
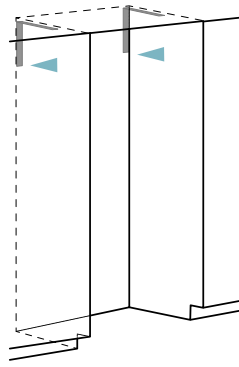
D





A  
B  
C  
D

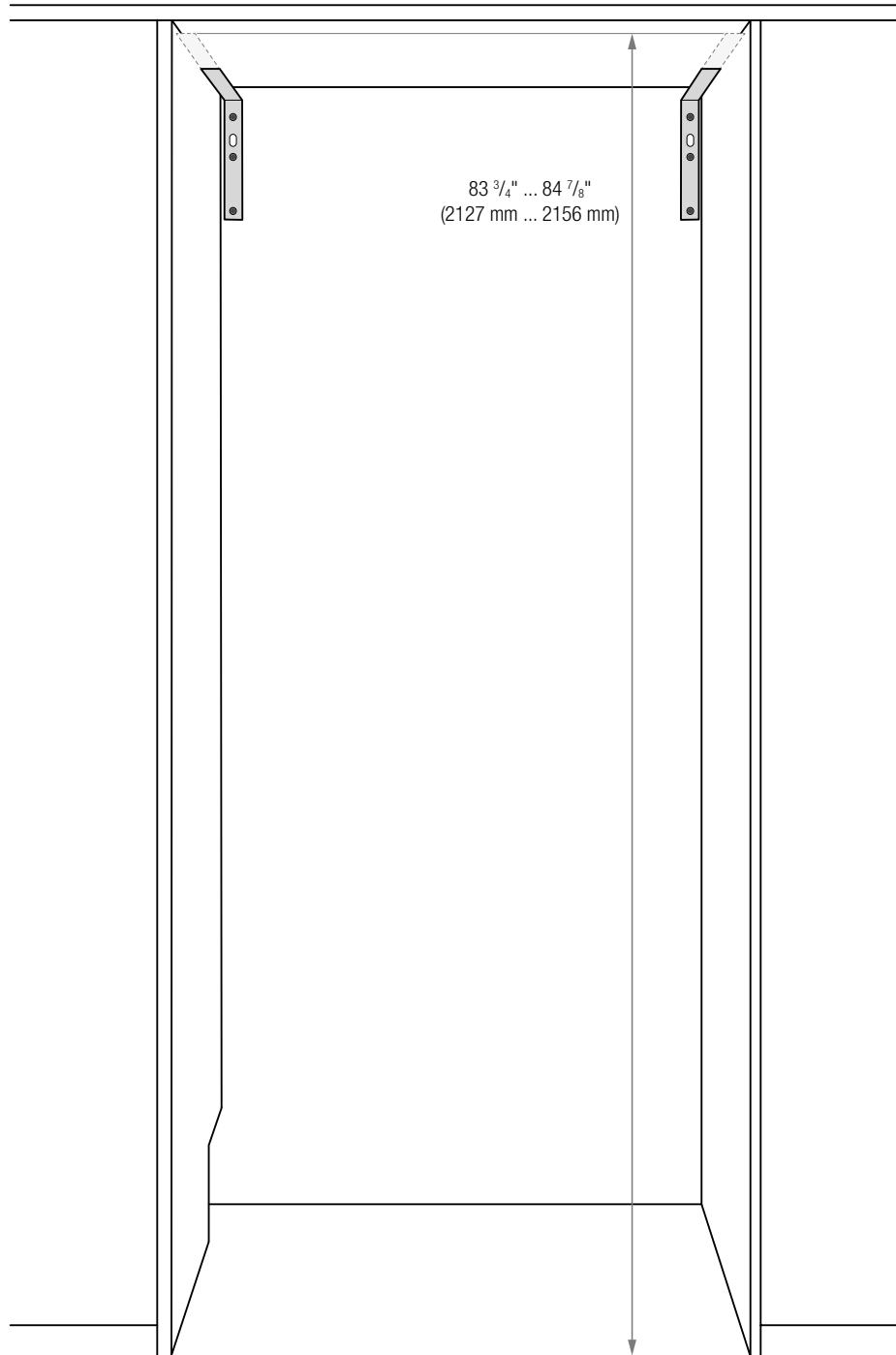
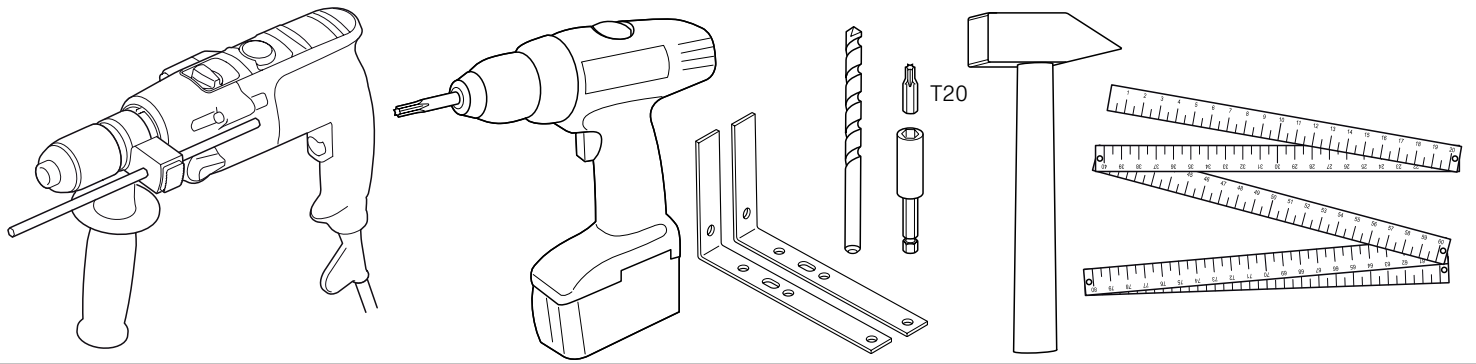


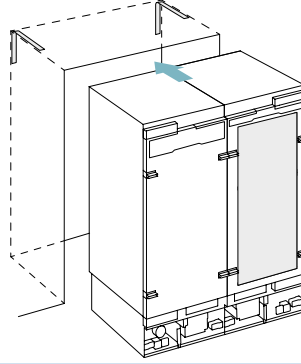
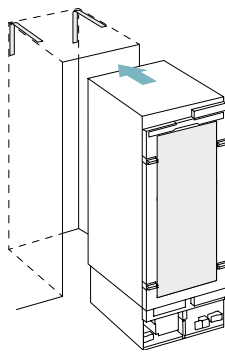
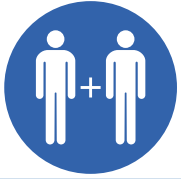


5x60		4x
6x31		4x

4x15		6x
------	--	----





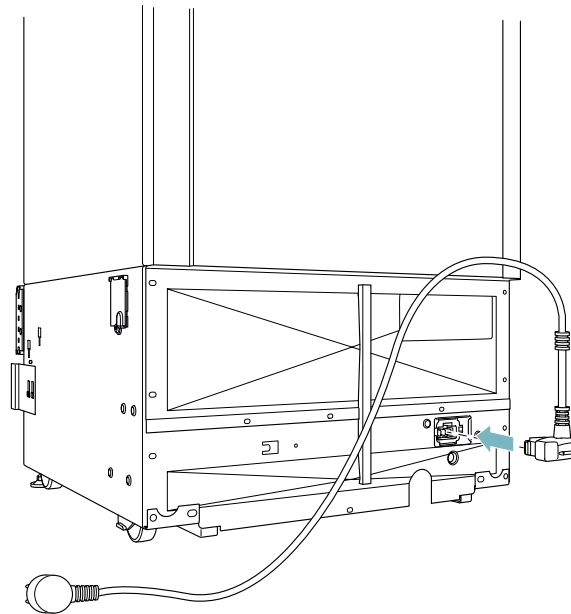
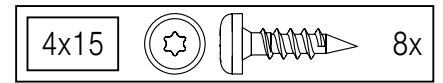
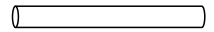
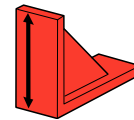
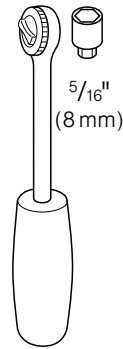
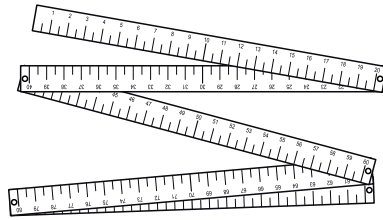
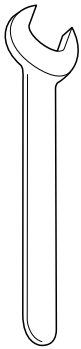
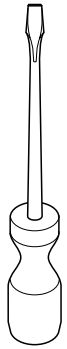
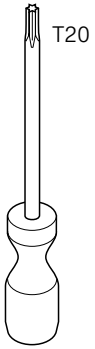


A

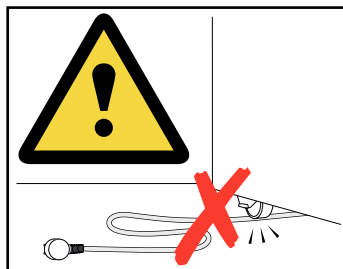
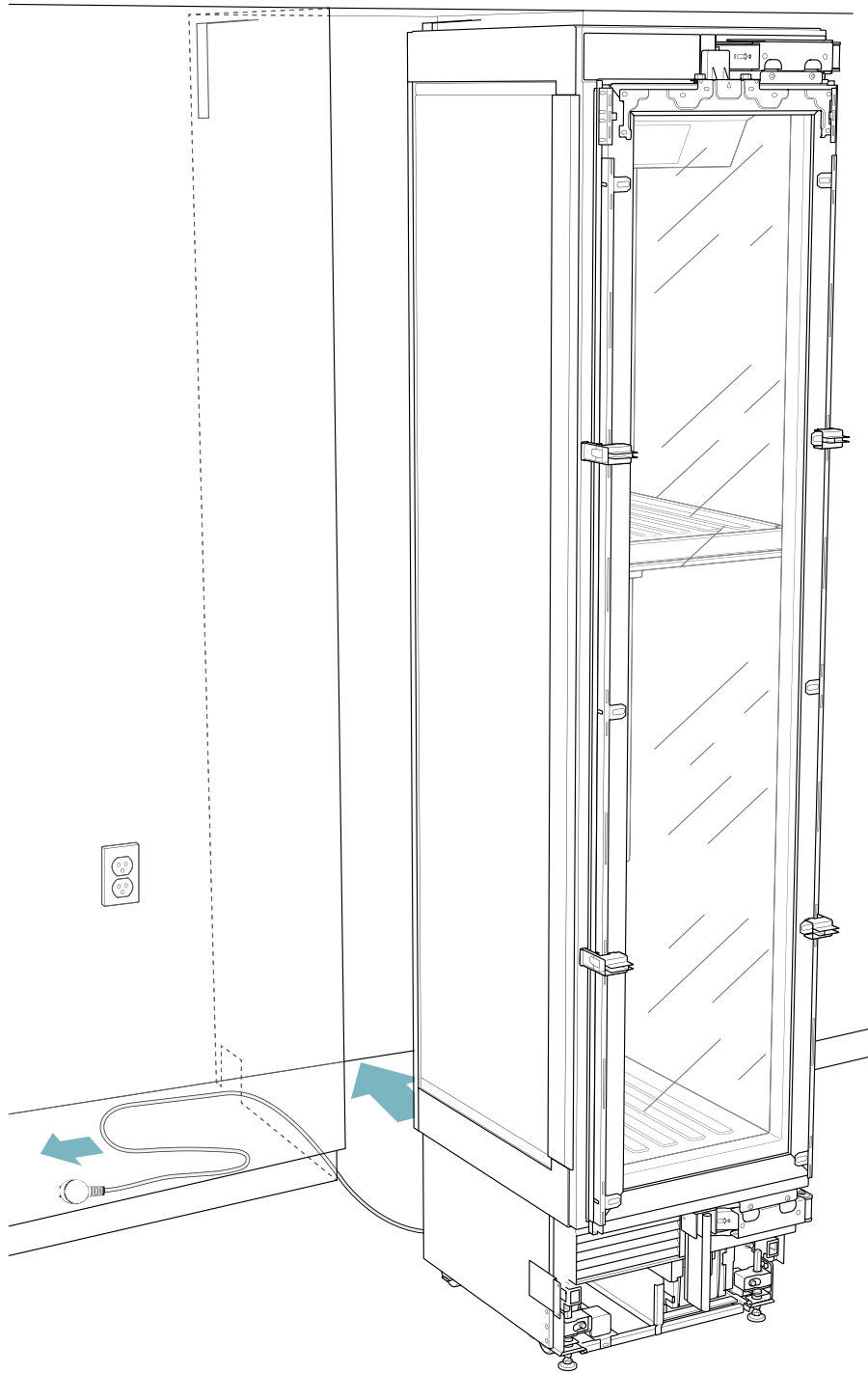
B

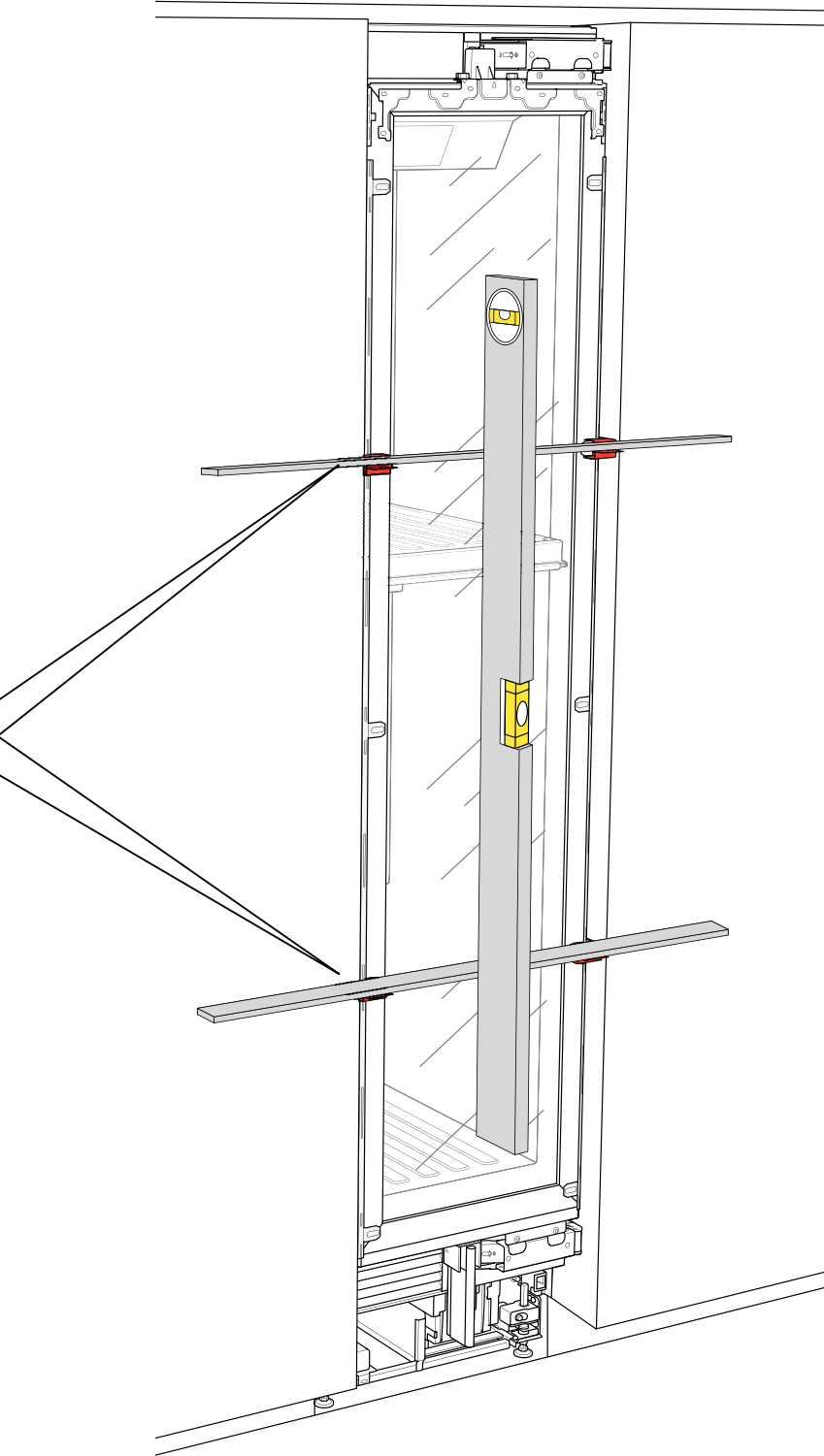
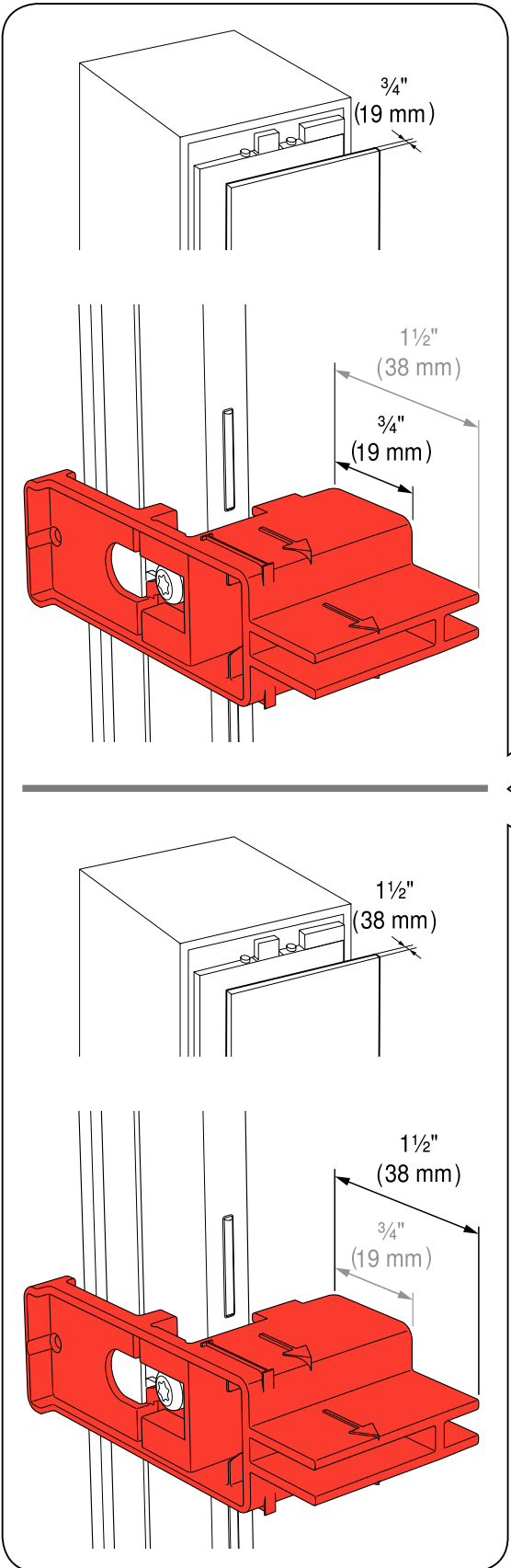
C

D

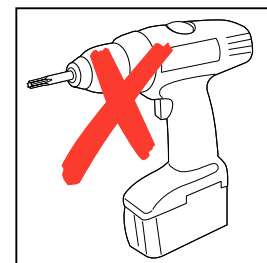
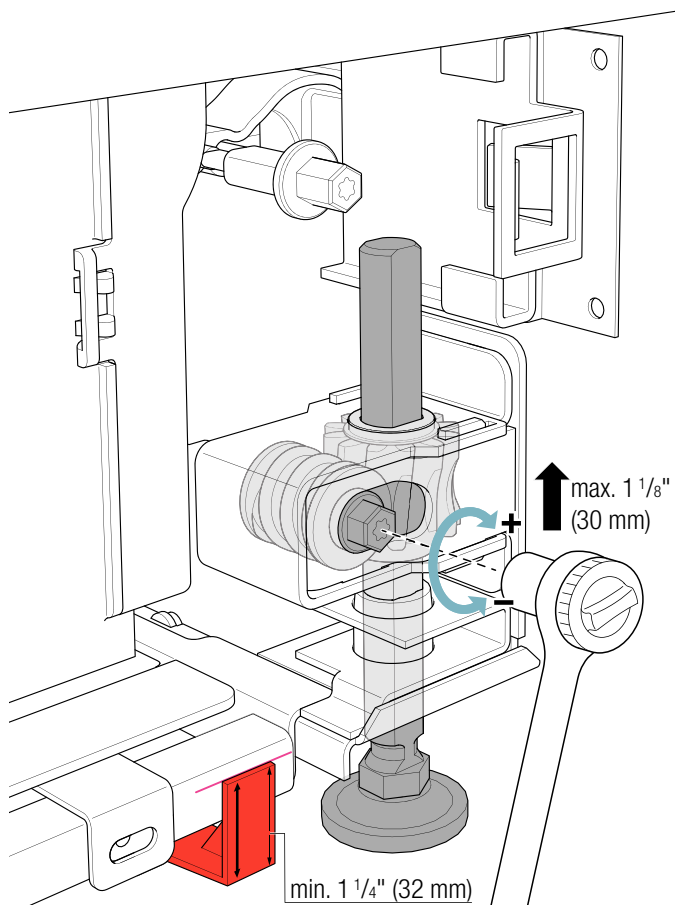
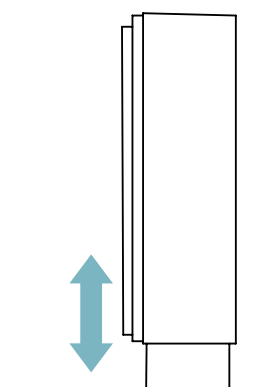
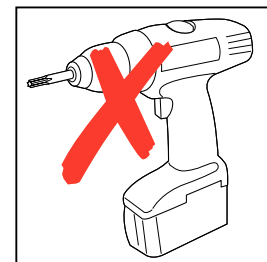
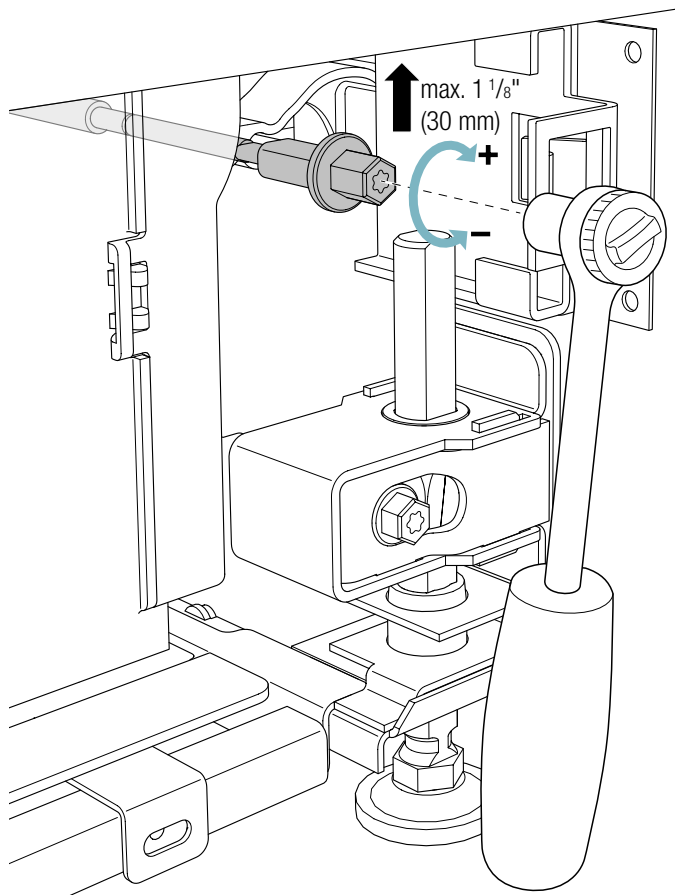
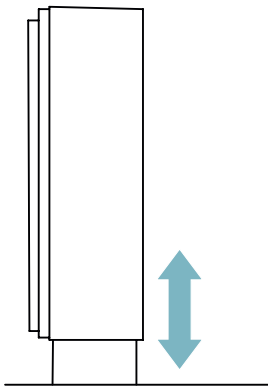
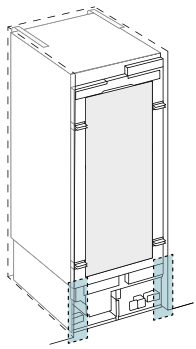



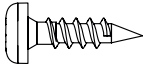
A  
B  
C  
D



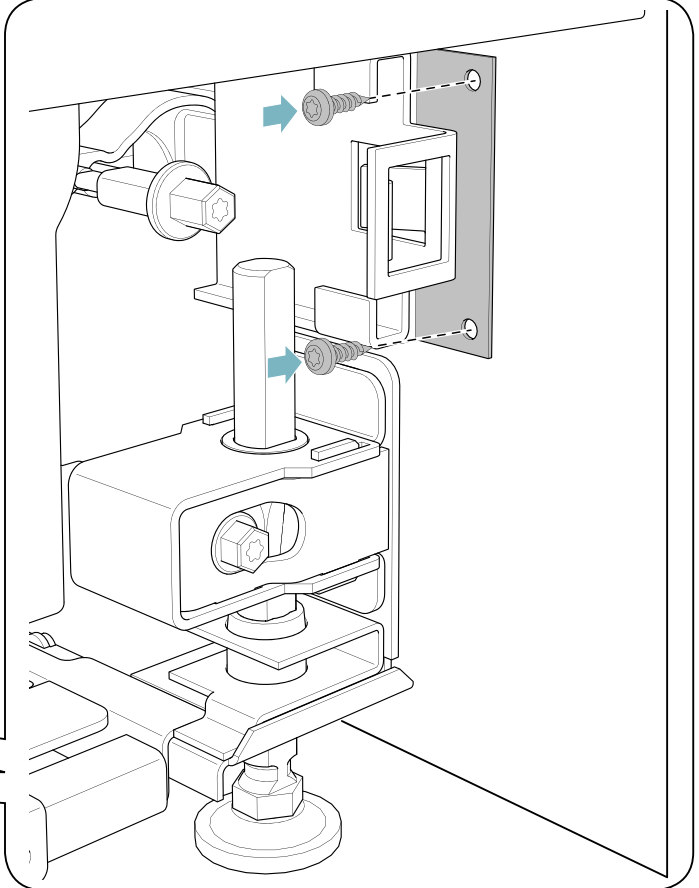
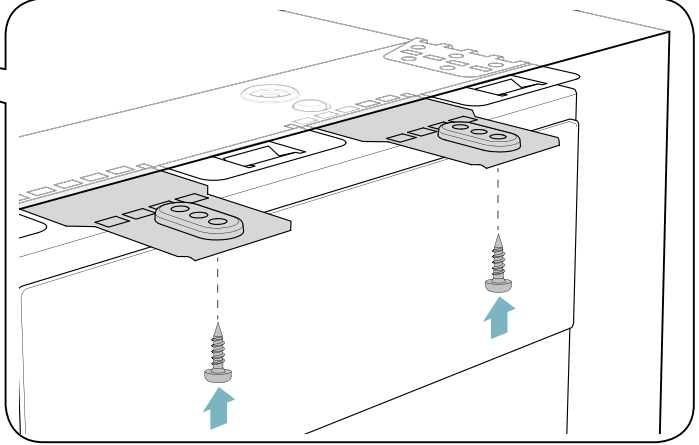
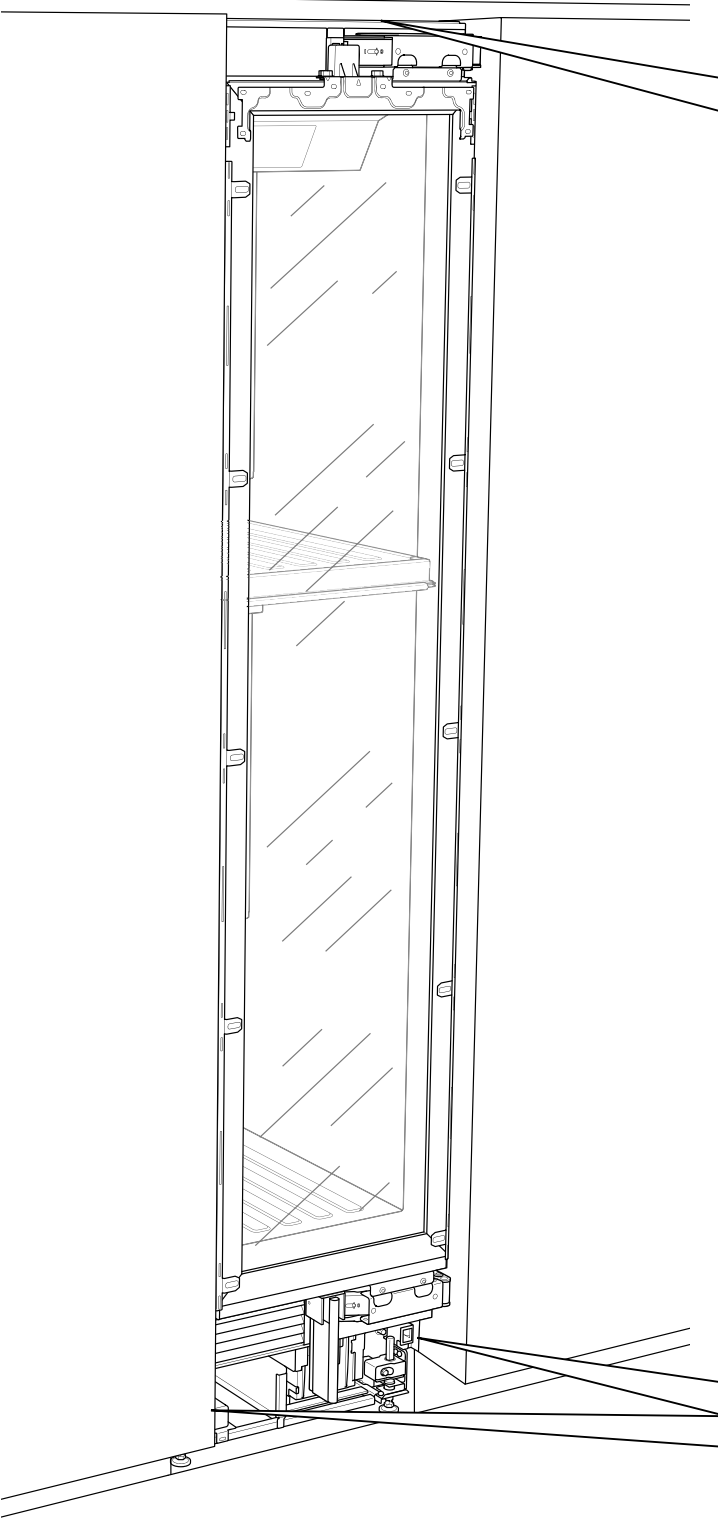


- A
- B
- C
- D

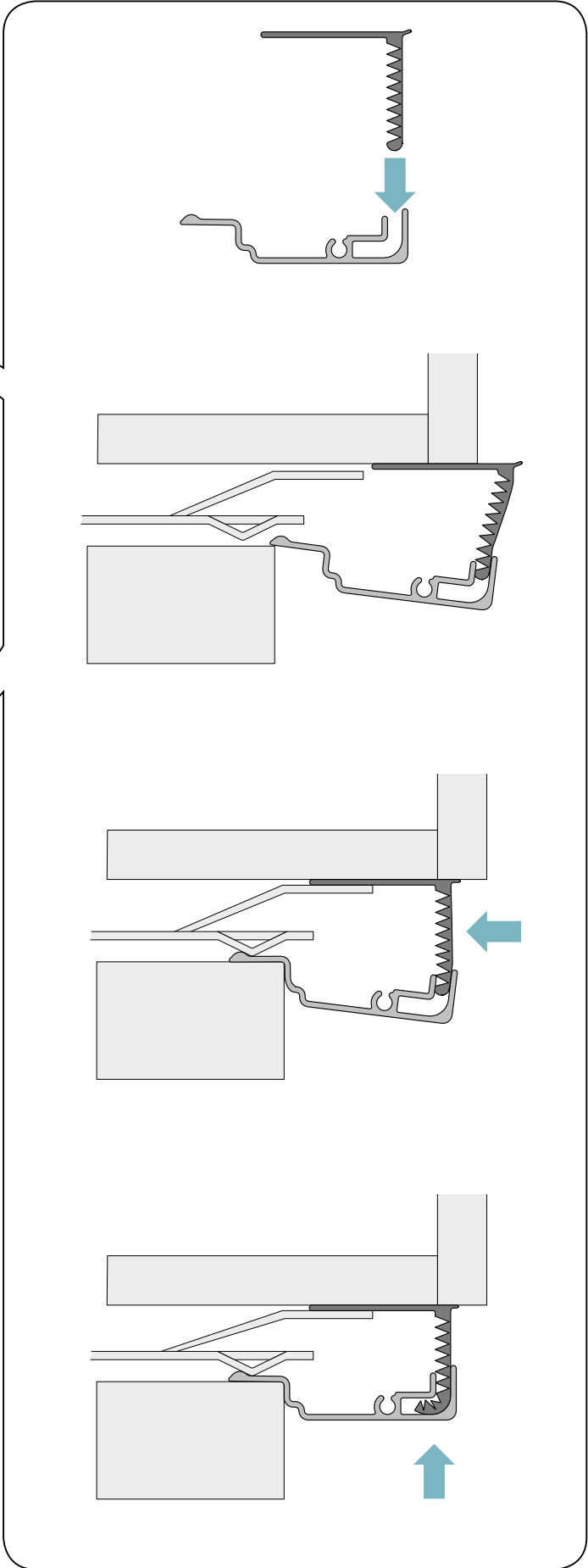
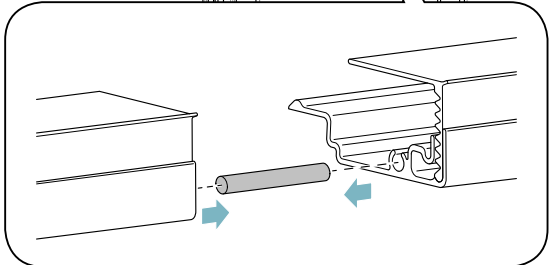
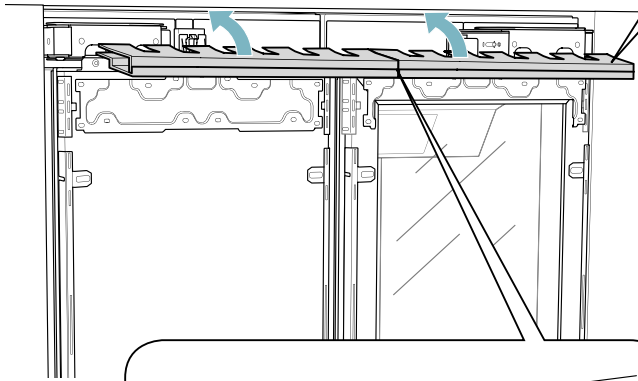
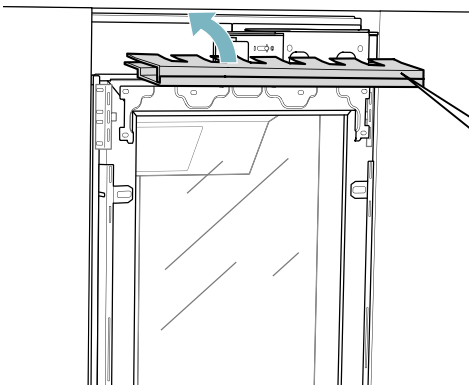


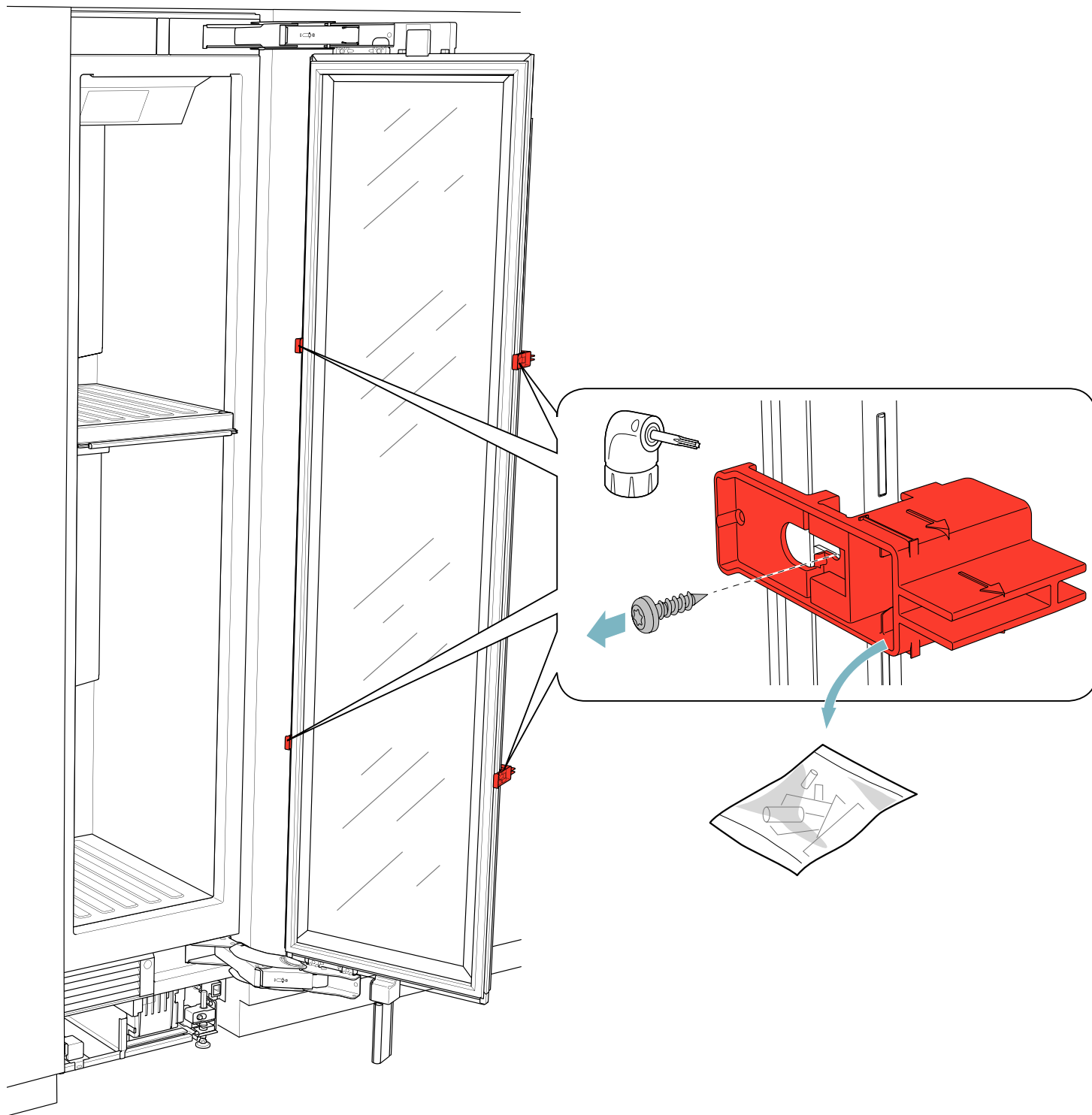
4x15   8x

A  
B  
C  
D



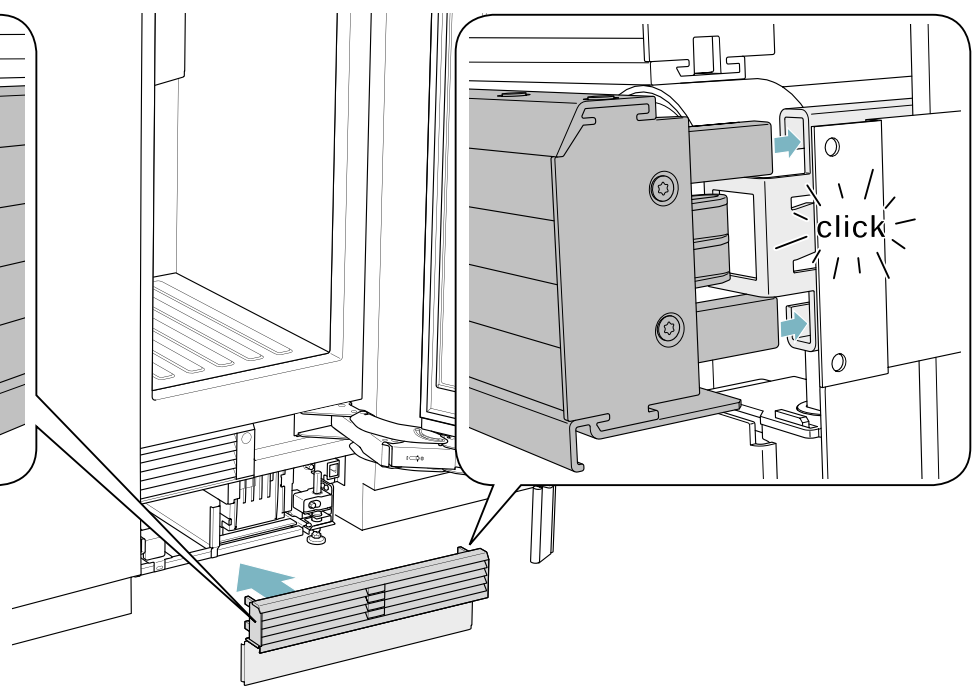
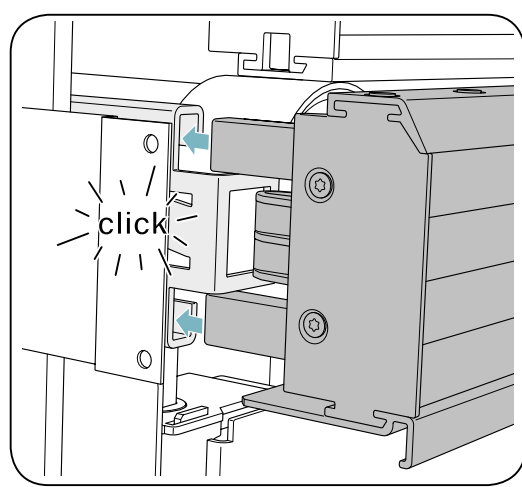
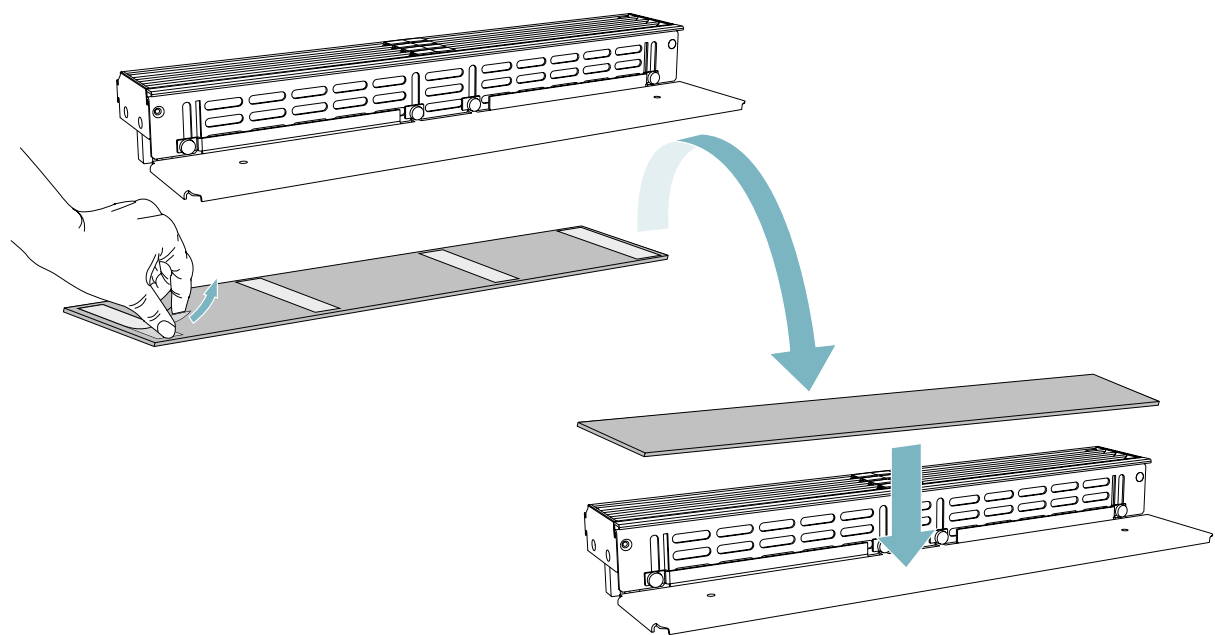
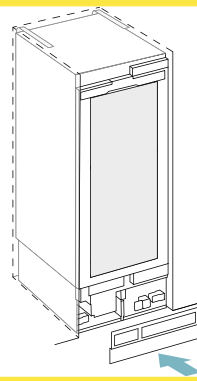
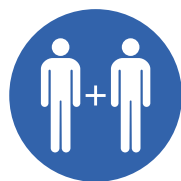
- A
- B
- C
- D

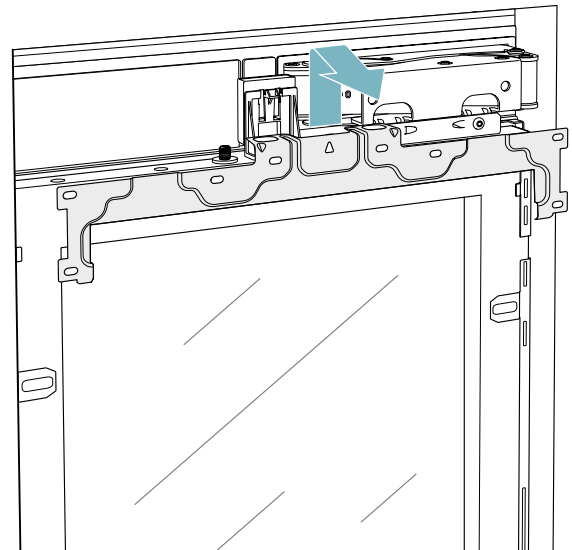
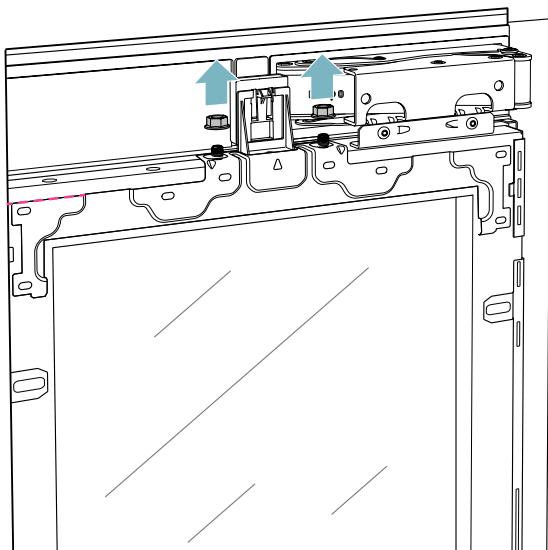
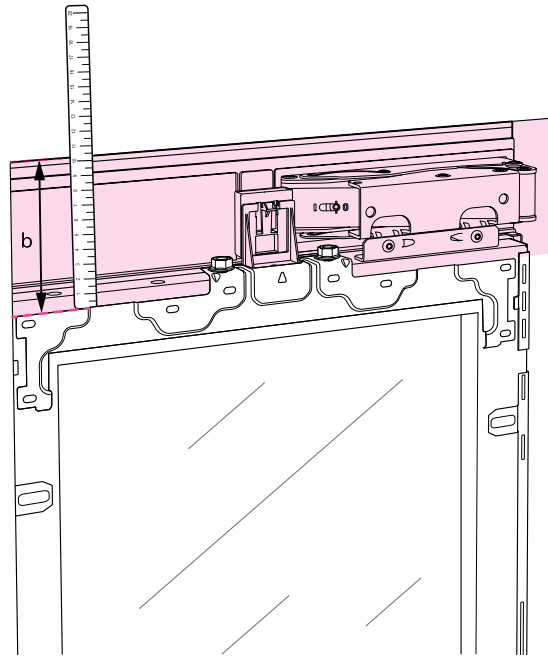
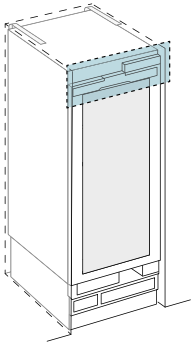
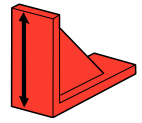
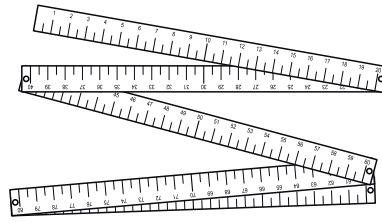
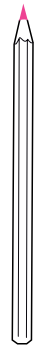
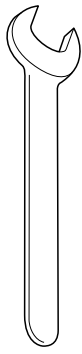
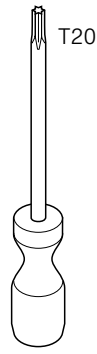
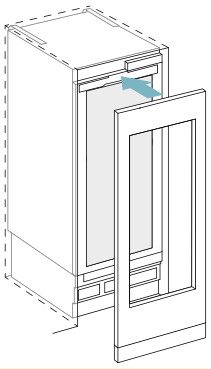




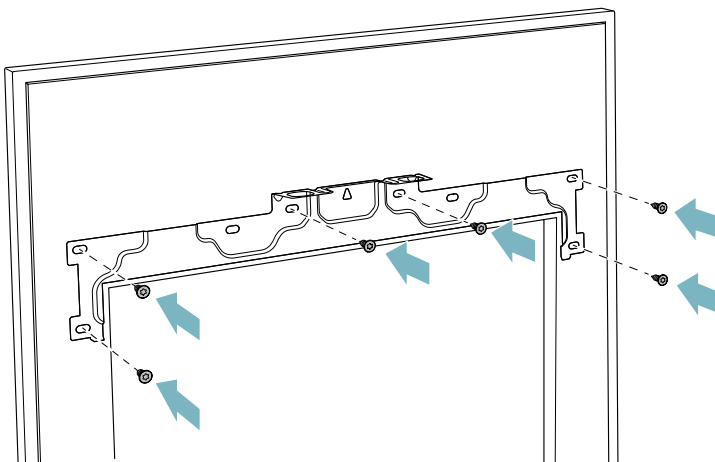
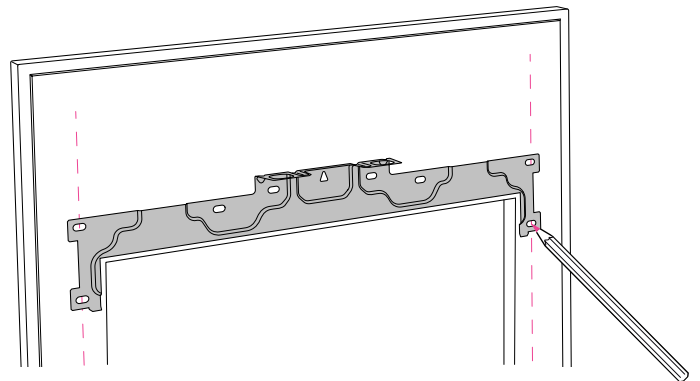
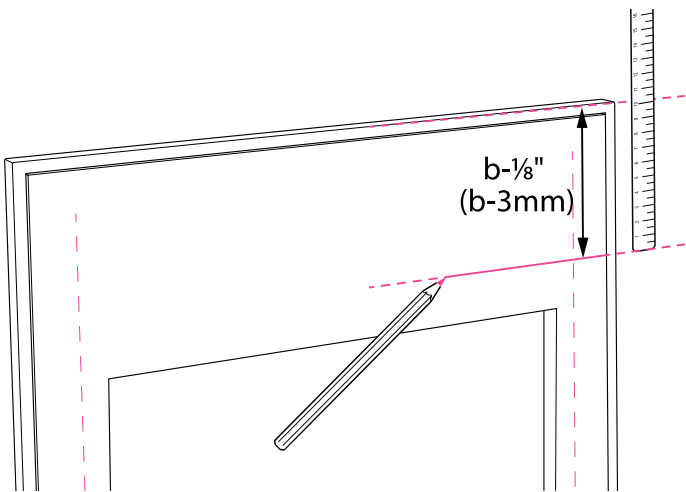
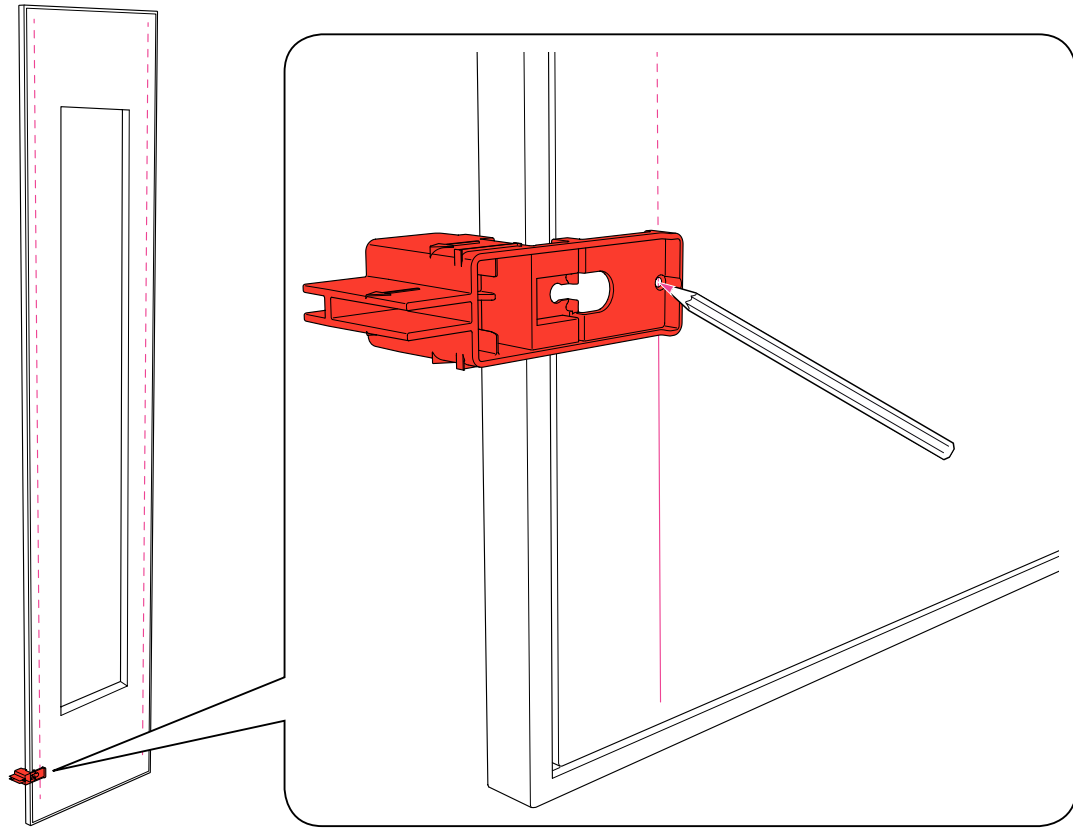




A  
B  
C  
D





A  
B  
C  
D



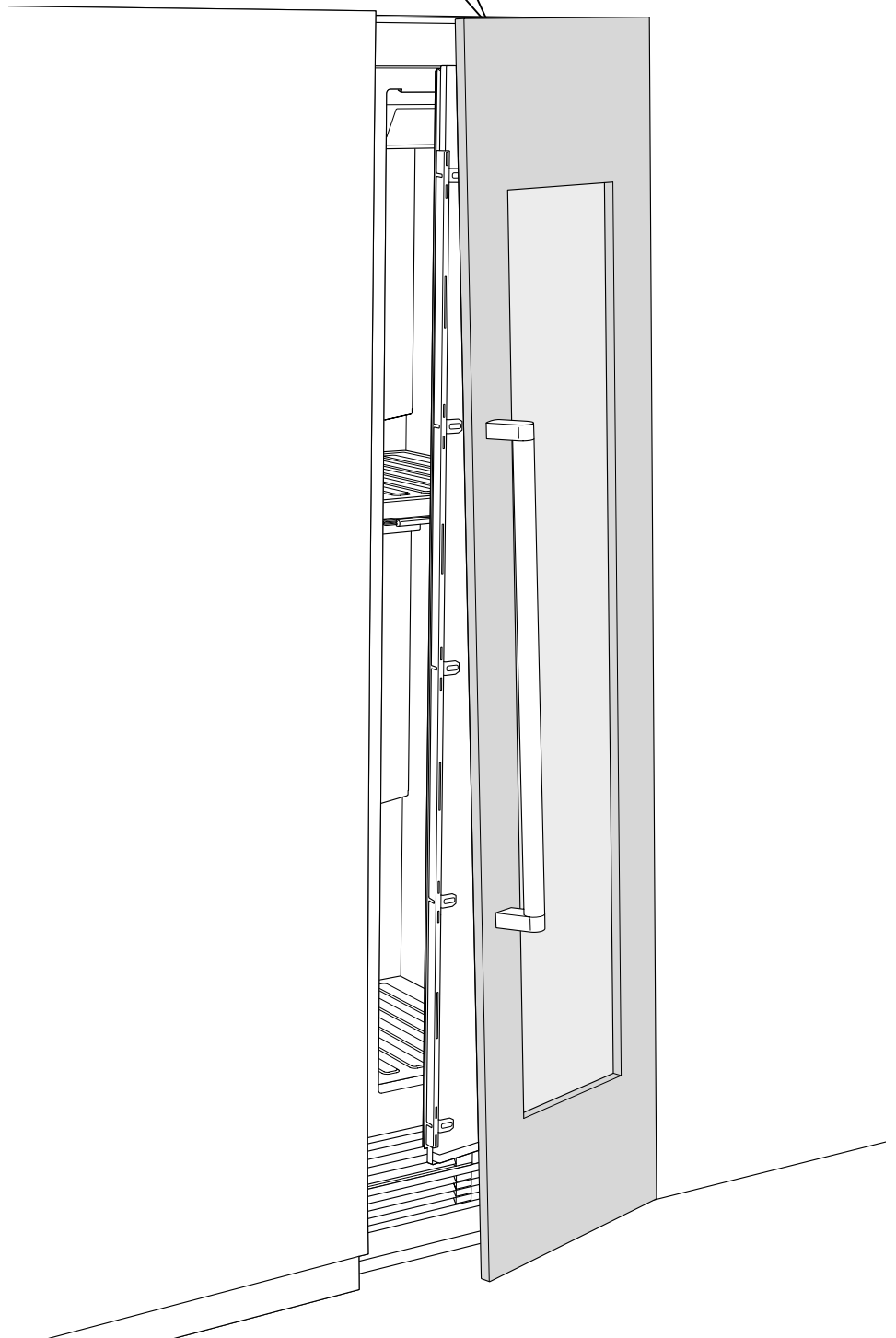
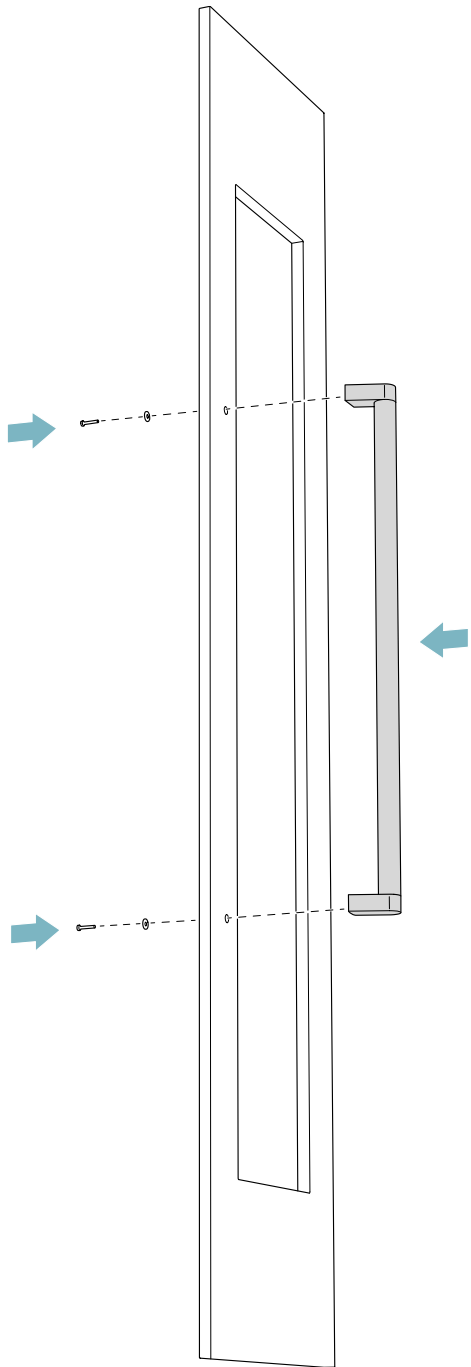
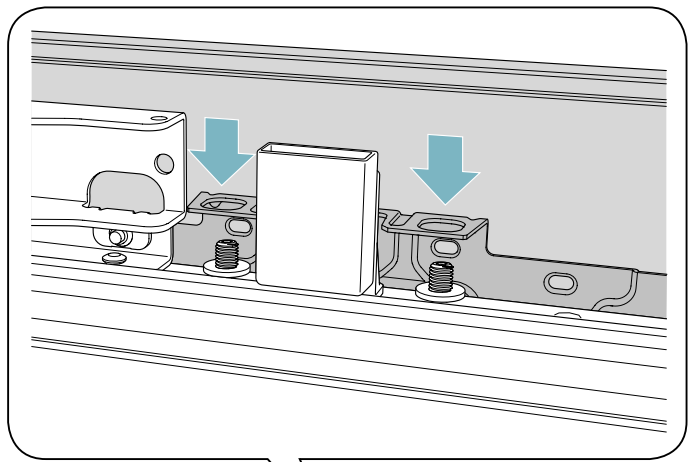
4x15			18" (457 mm) min. 6x
			24" (610 mm) min. 6x
			30" (762 mm) min. 10x
			36" (915 mm) 12x

A

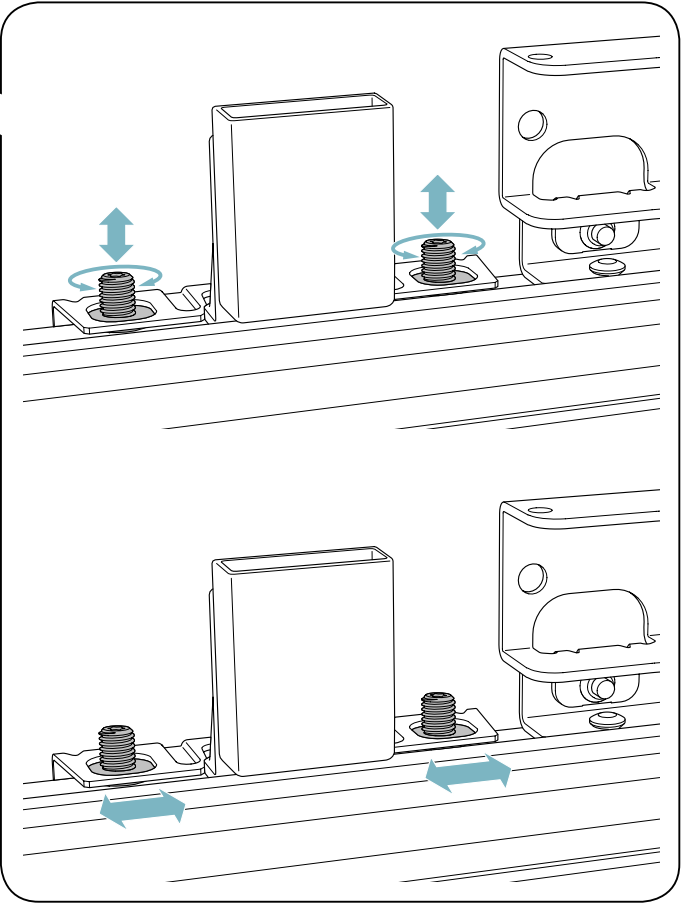
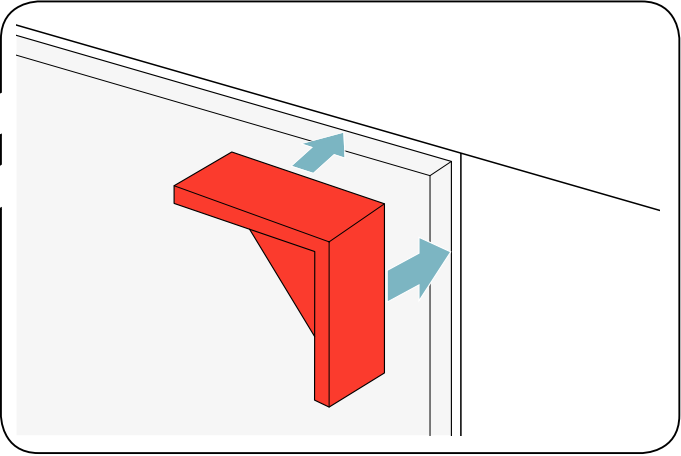
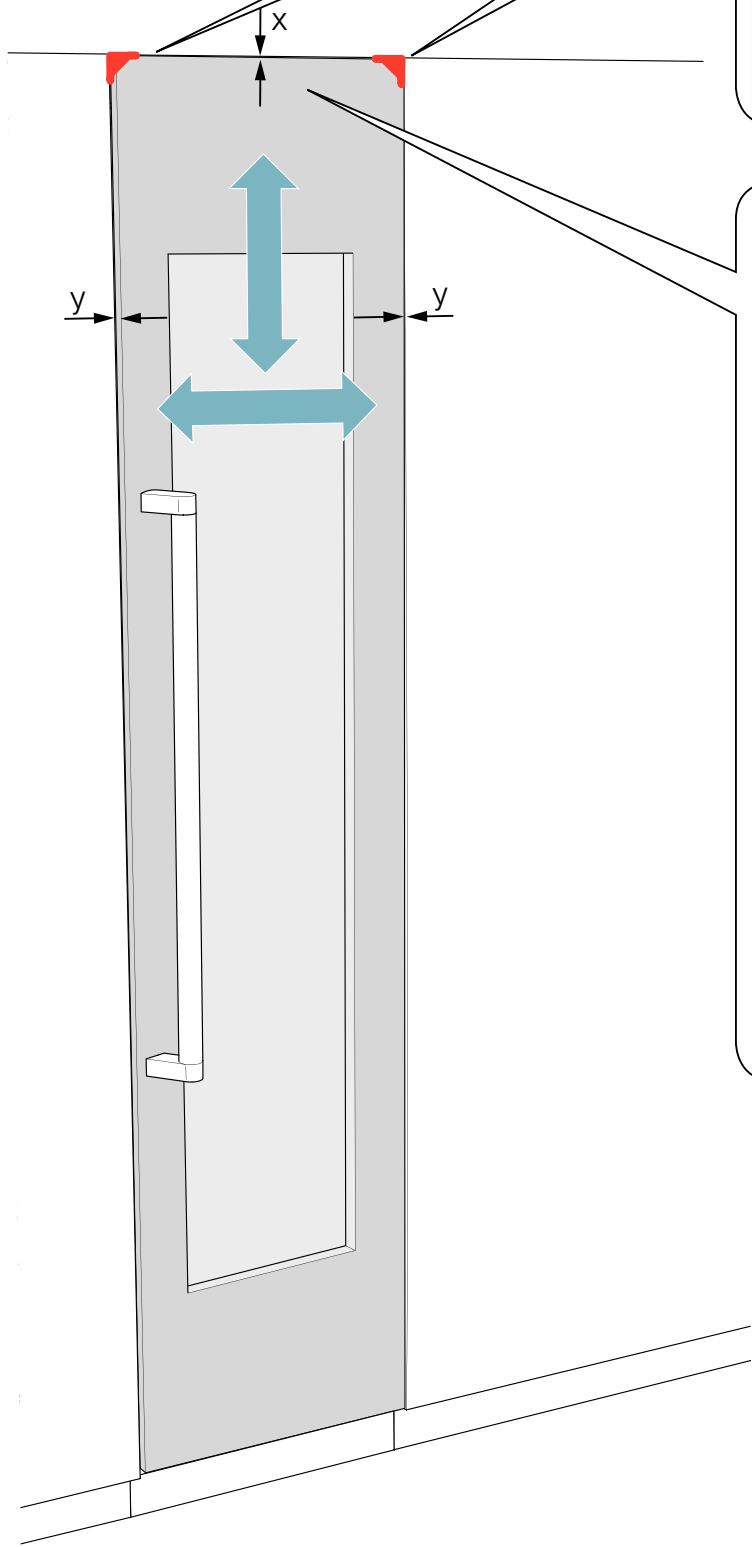
B

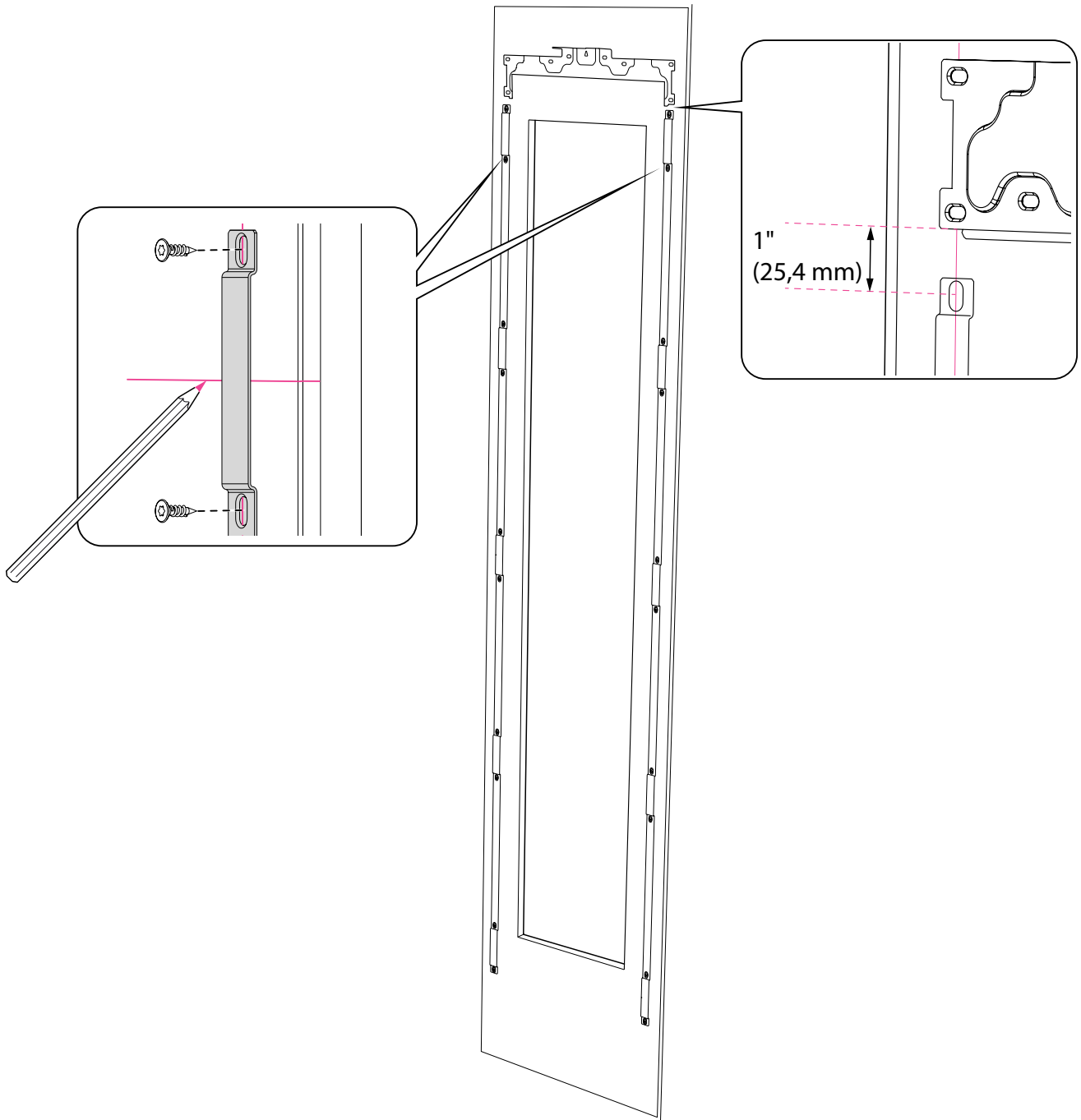
C

D

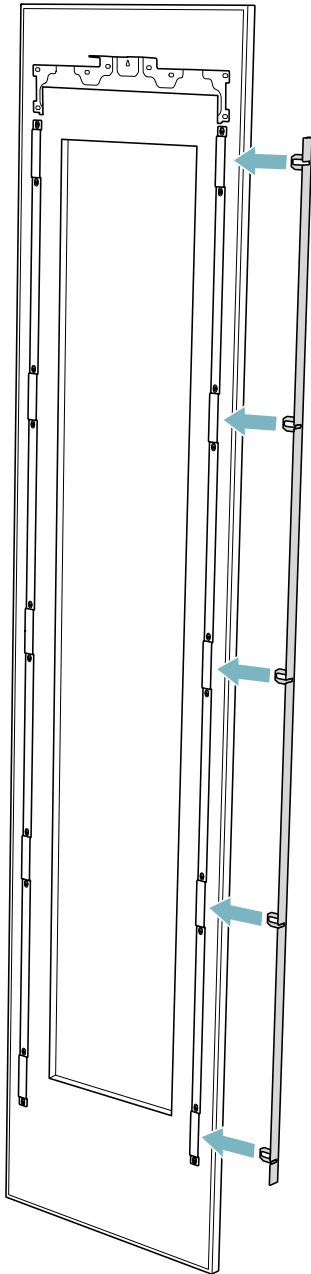
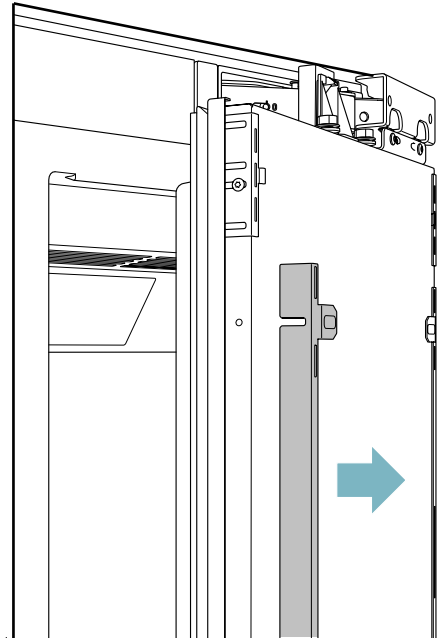
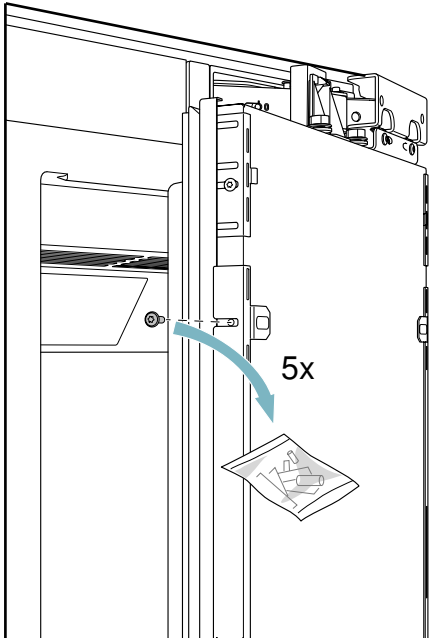


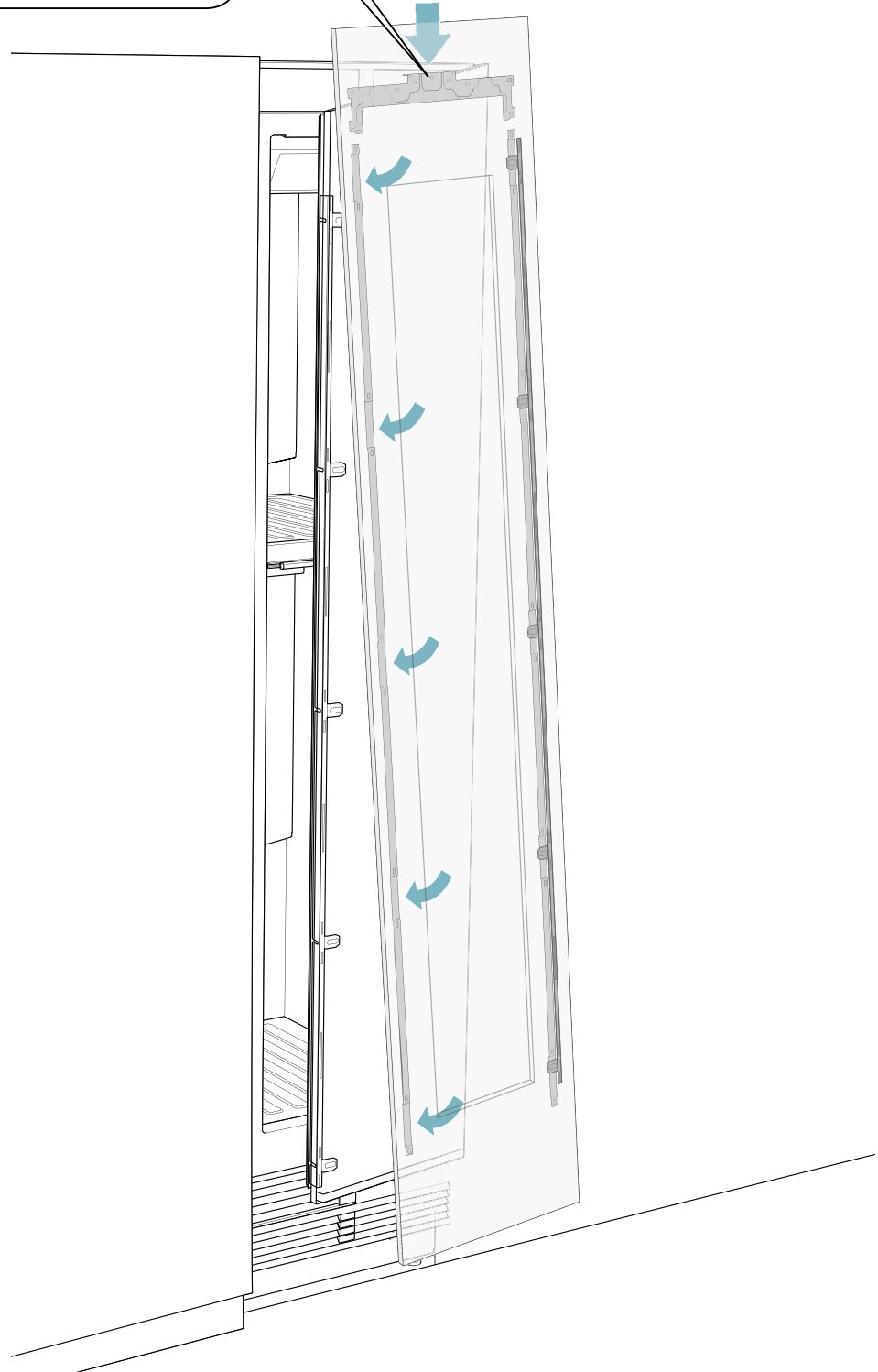
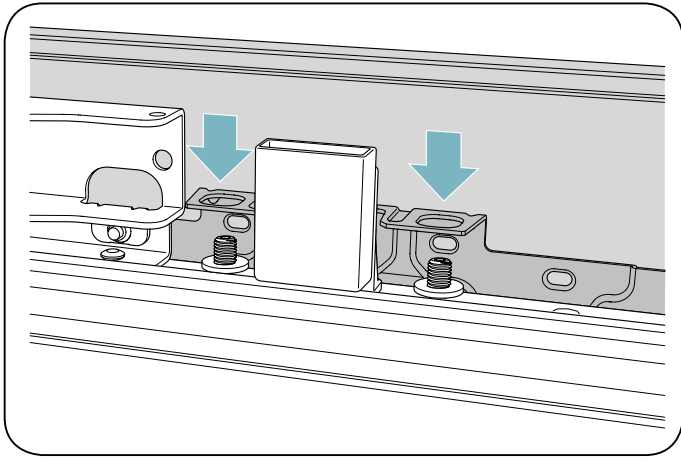
- A
- B
- C
- D





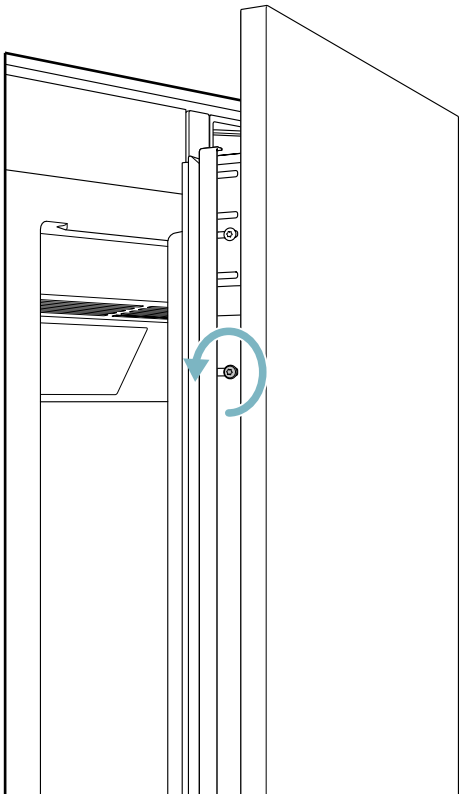
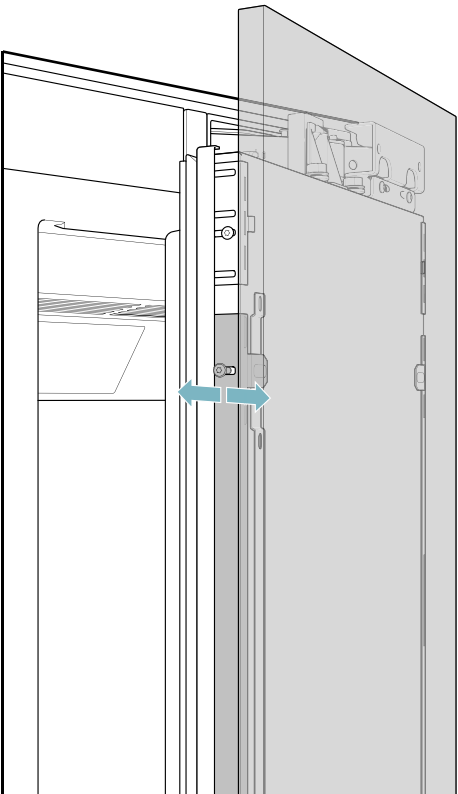
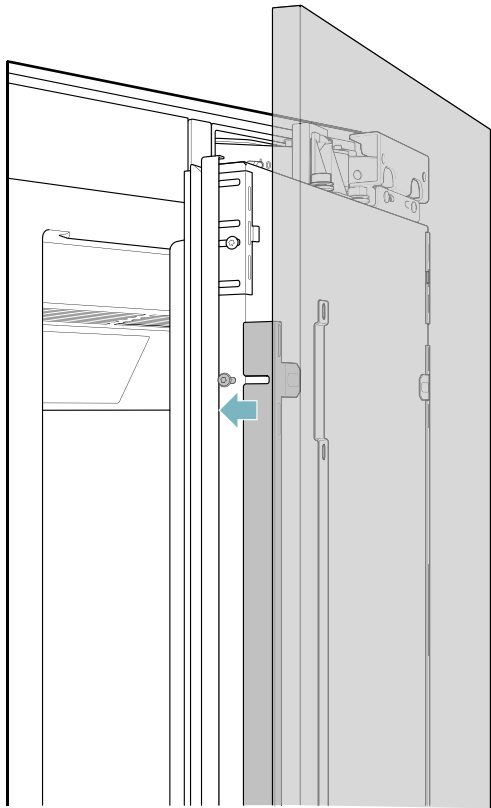
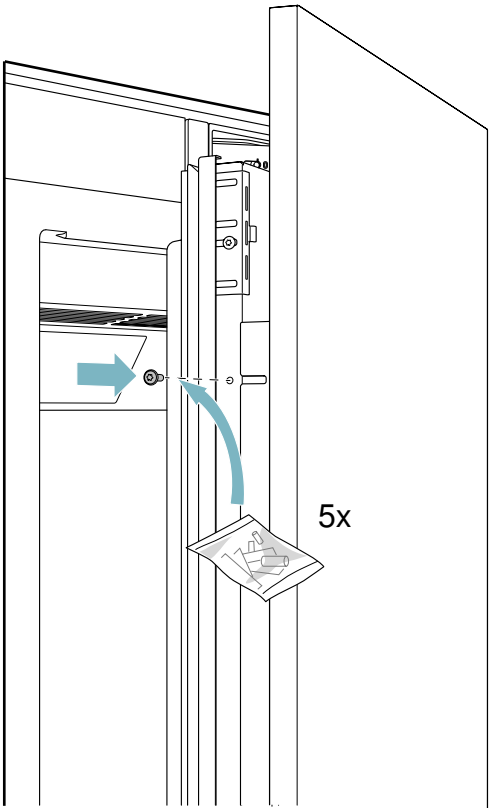
- A
- B
- C
- D

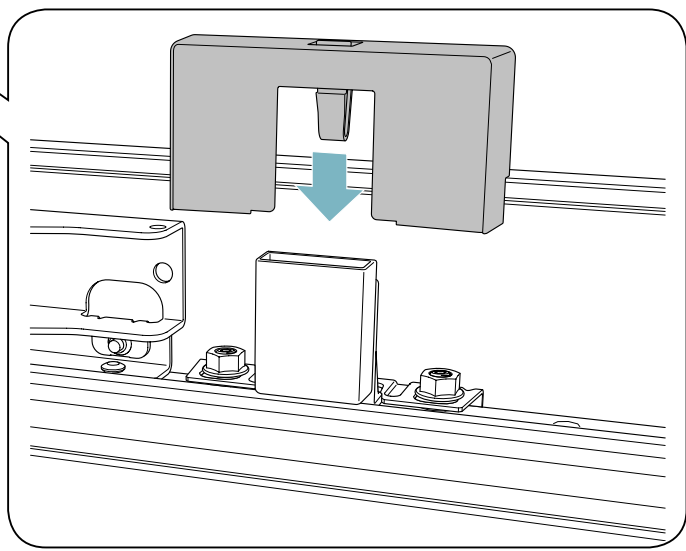
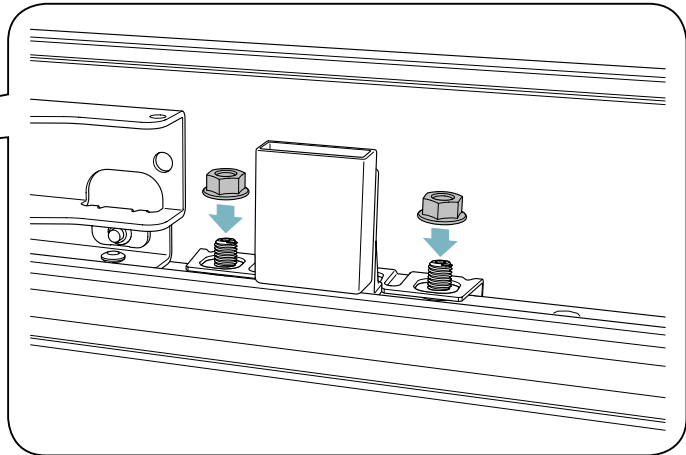
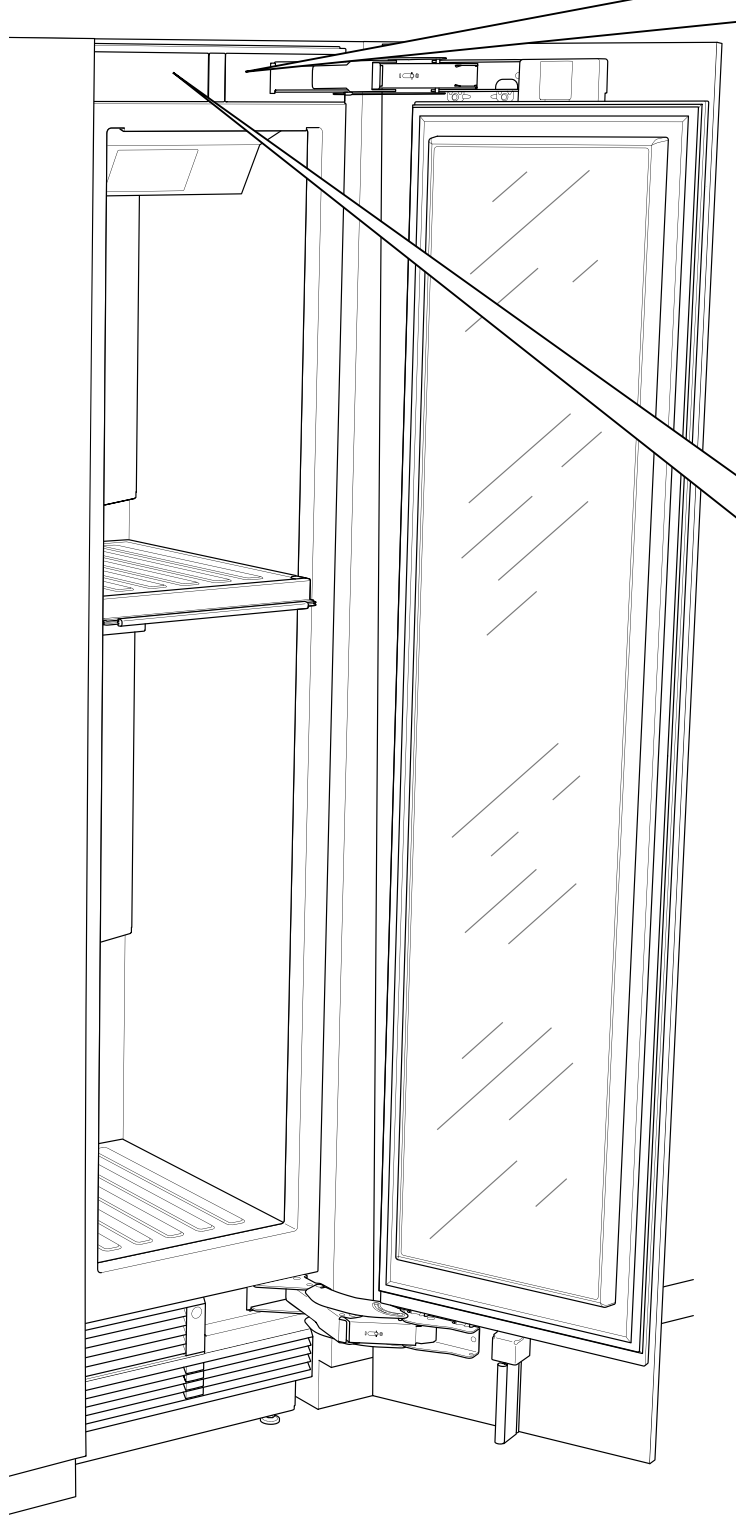




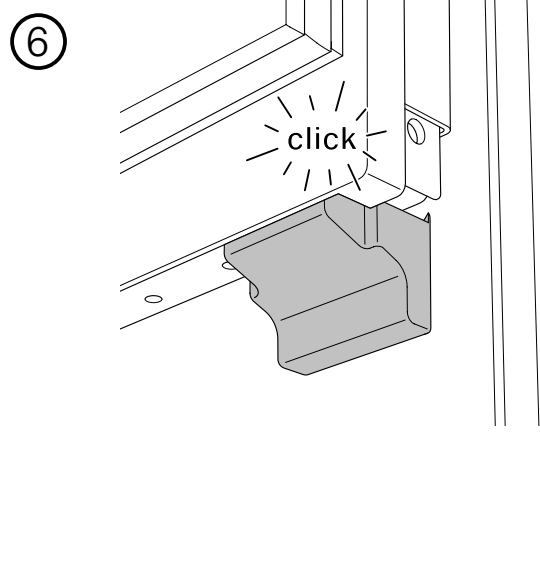
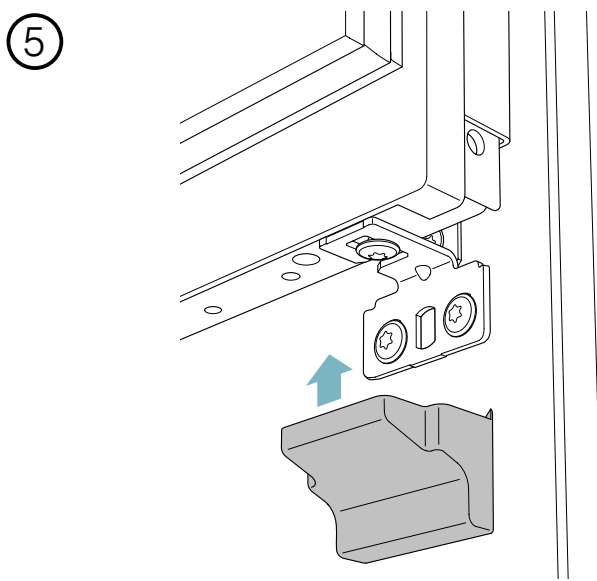
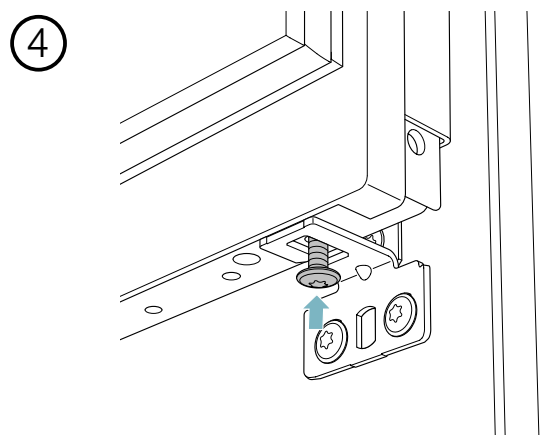
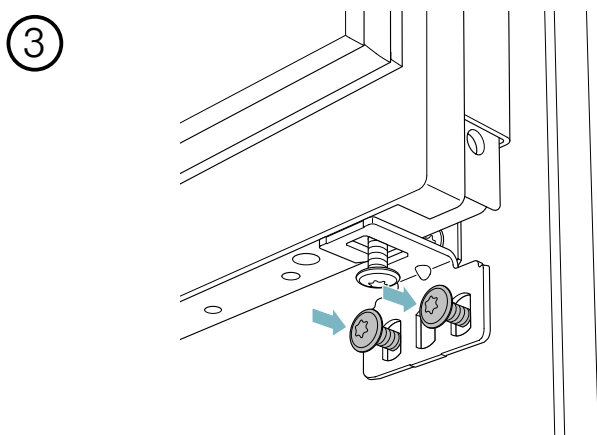
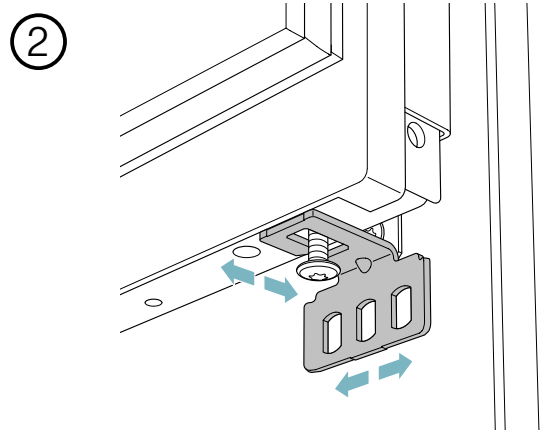
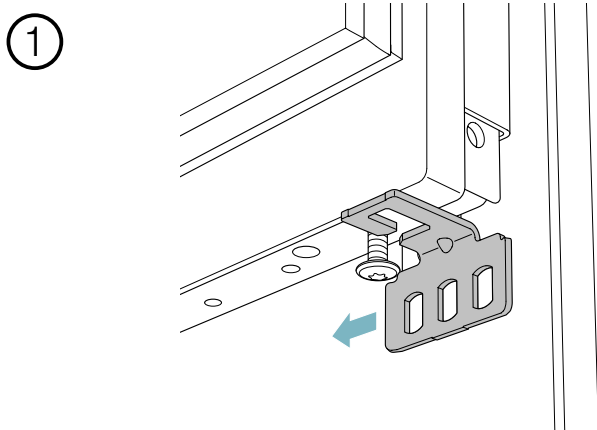
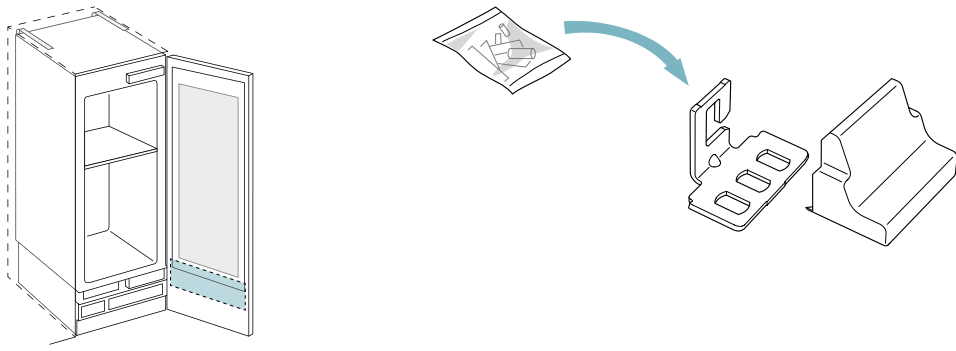


- A
- B
- C
- D



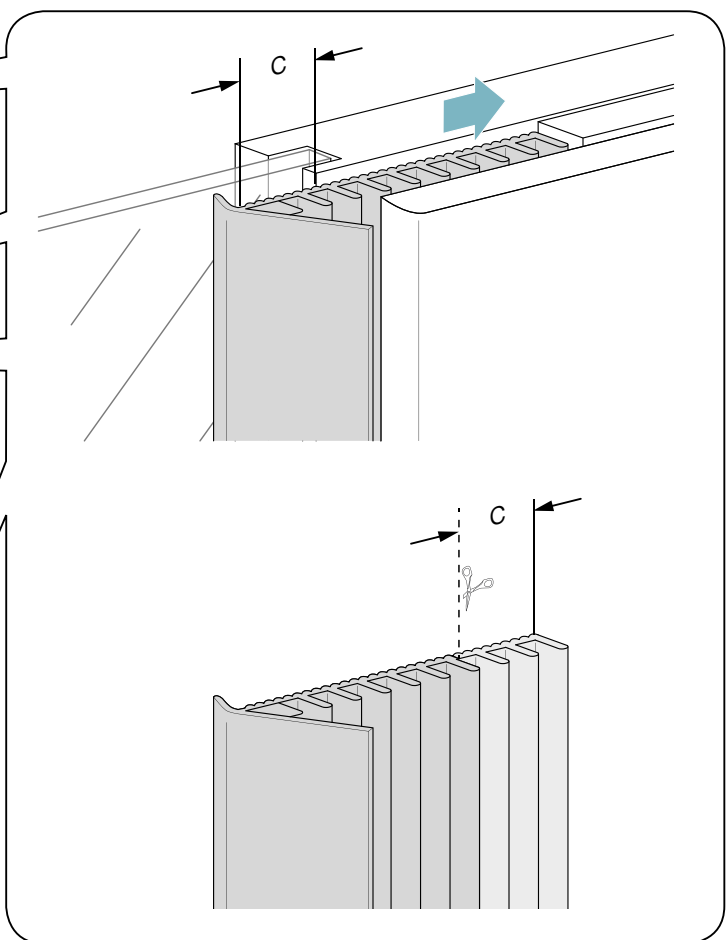
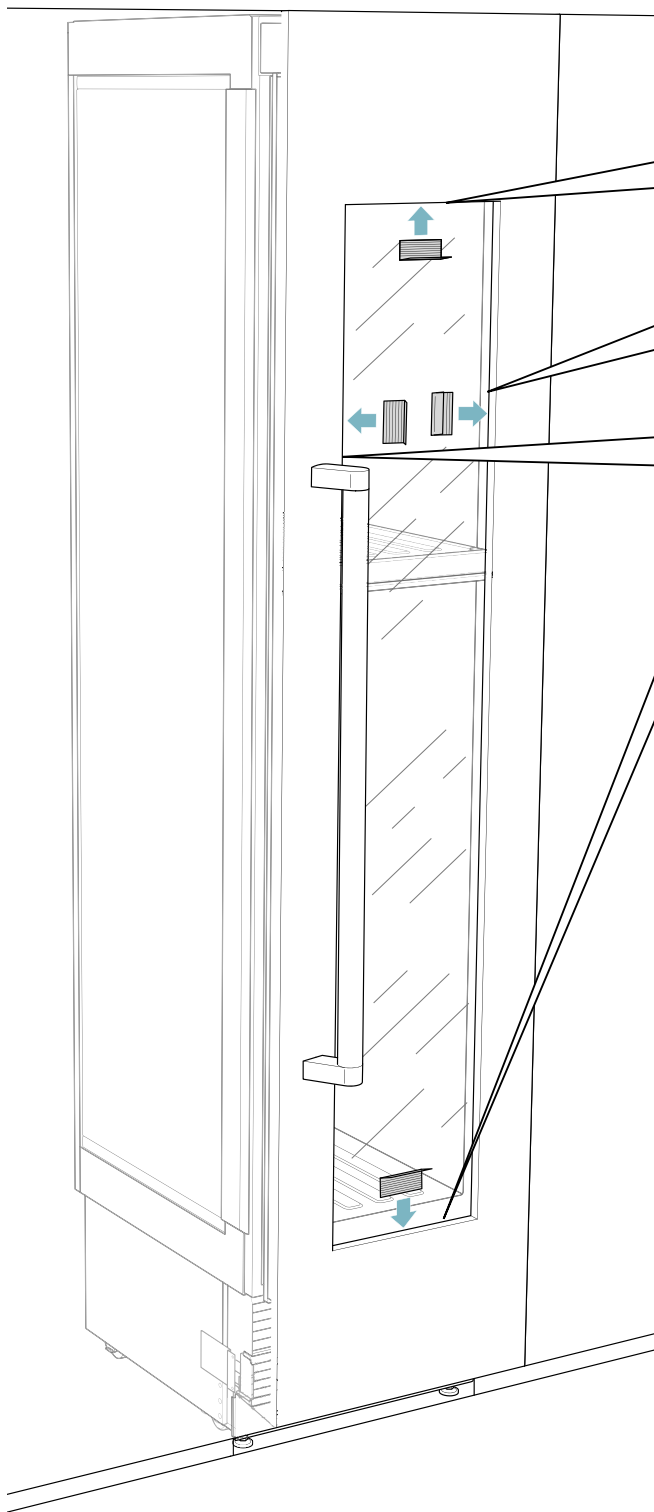
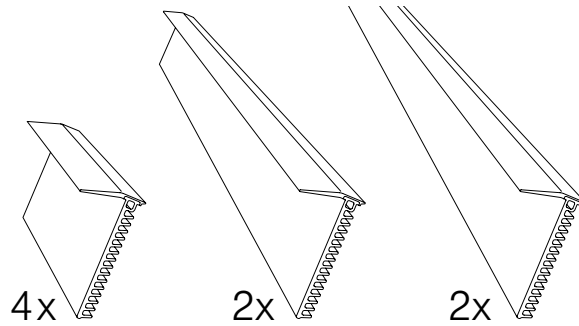
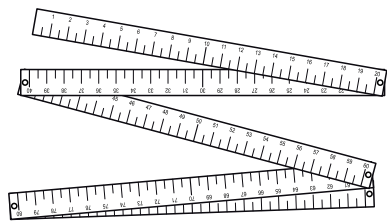
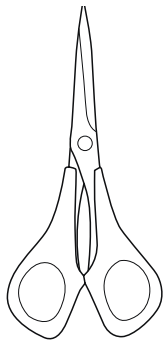
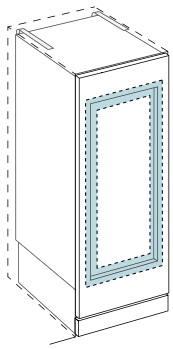


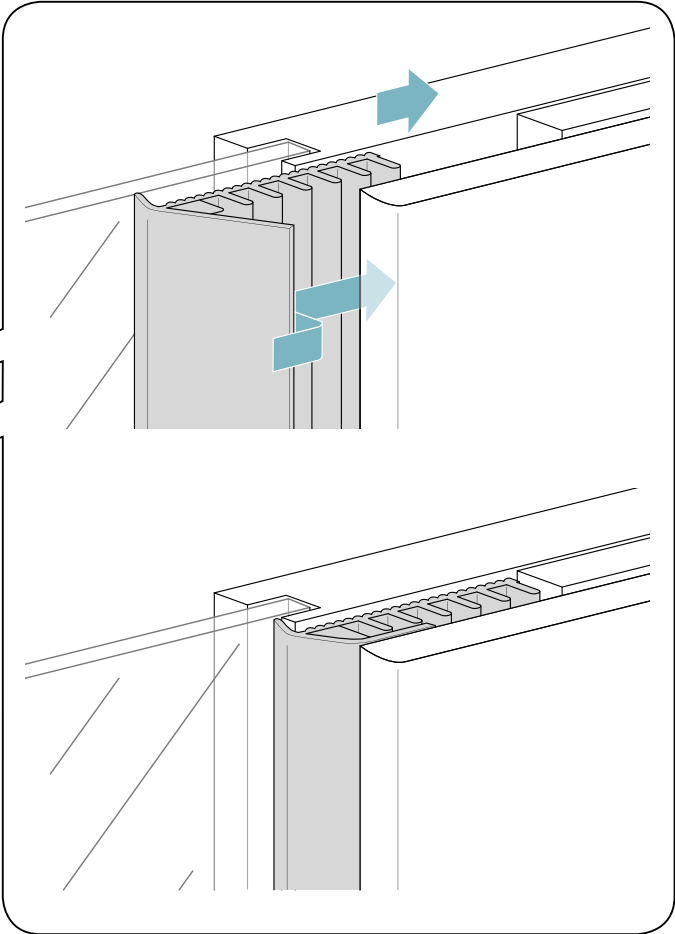
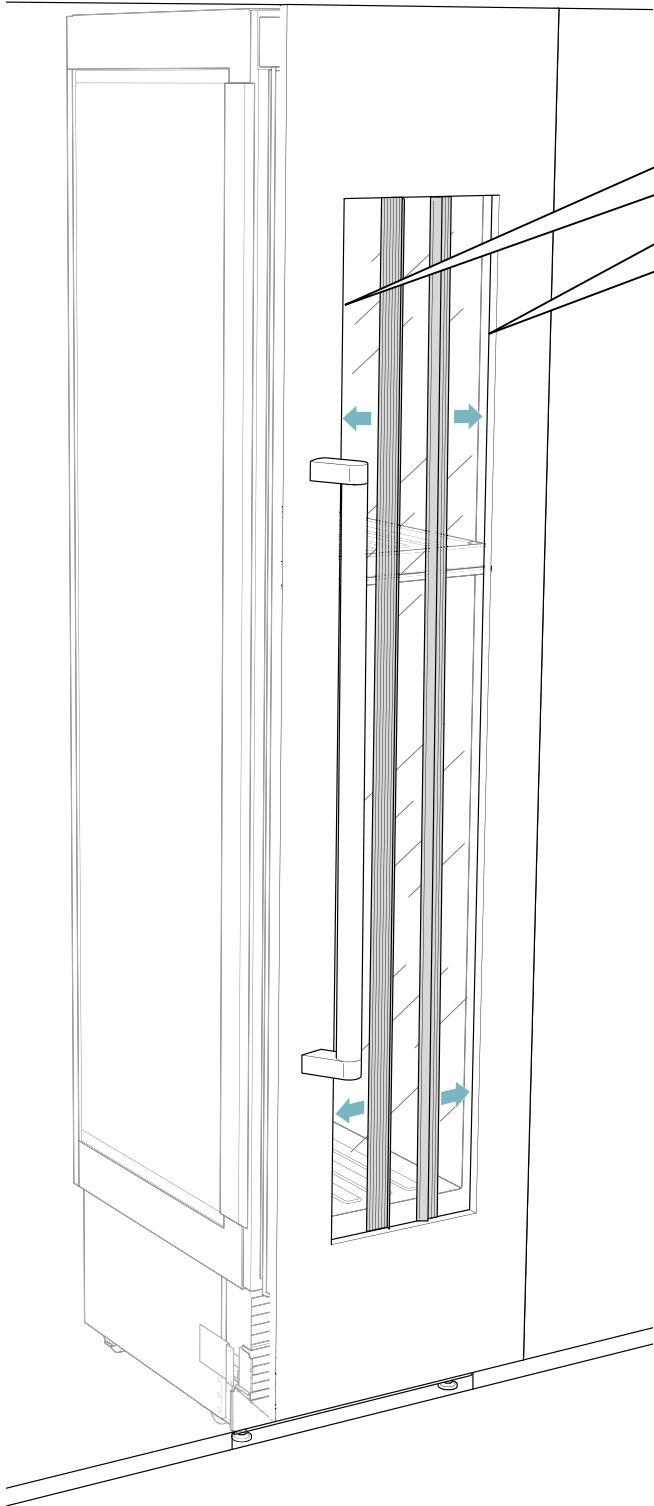
- A
- B
- C
- D



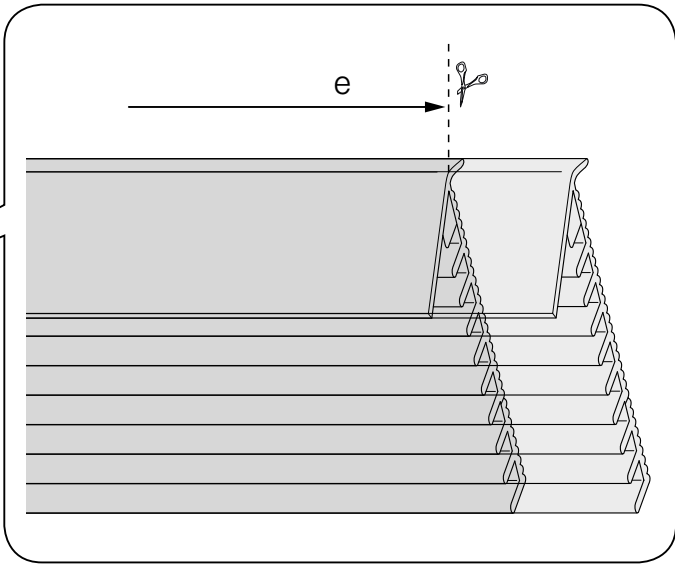
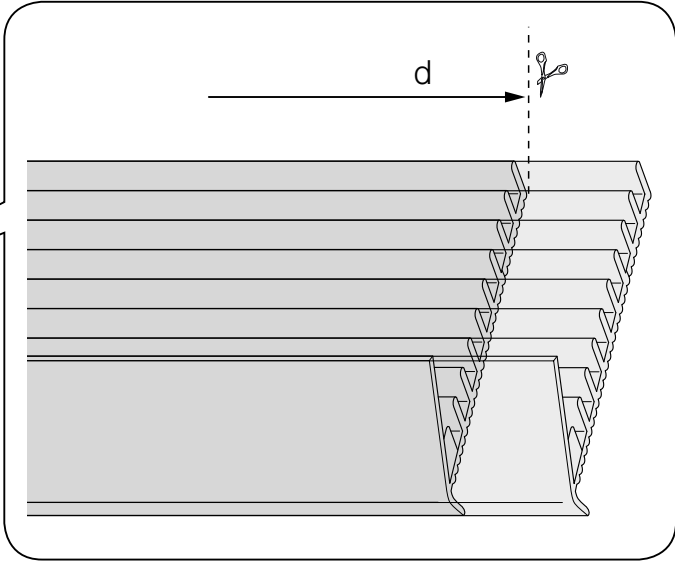
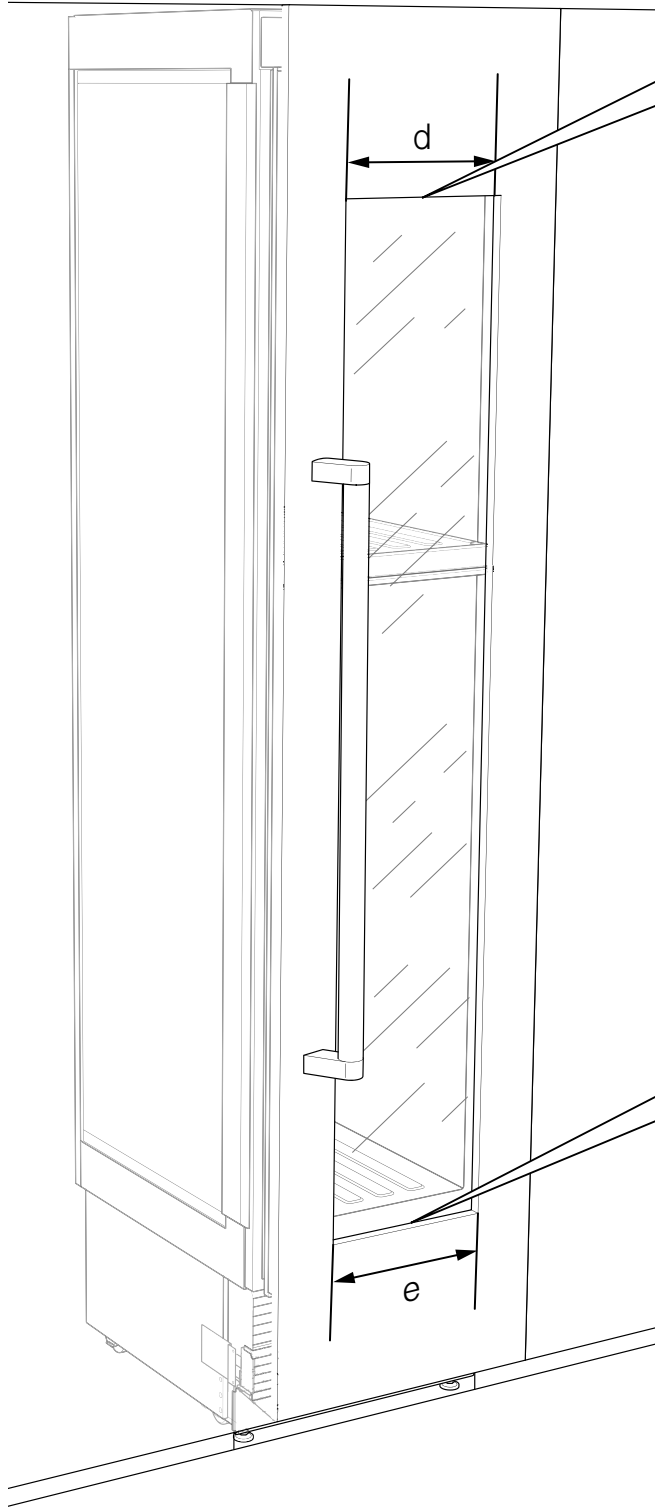


A  
B  
C  
D





- A
- B
- C
- D

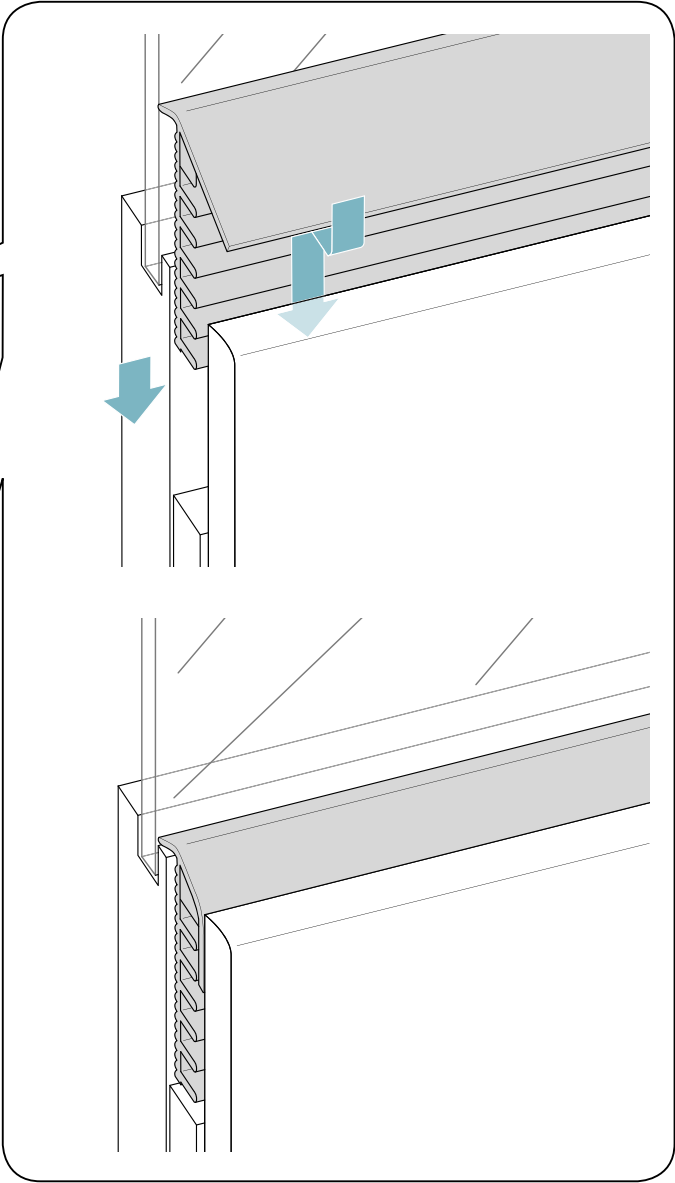
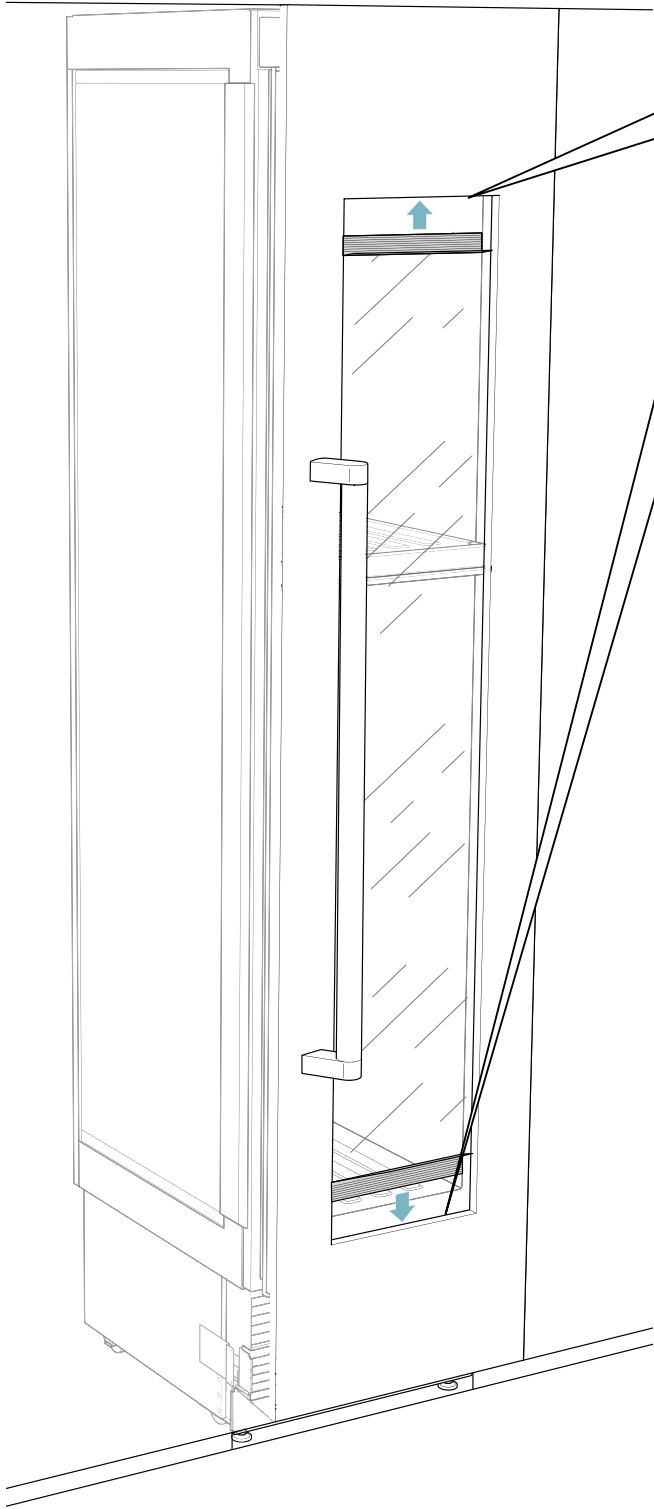


A

B

C

D



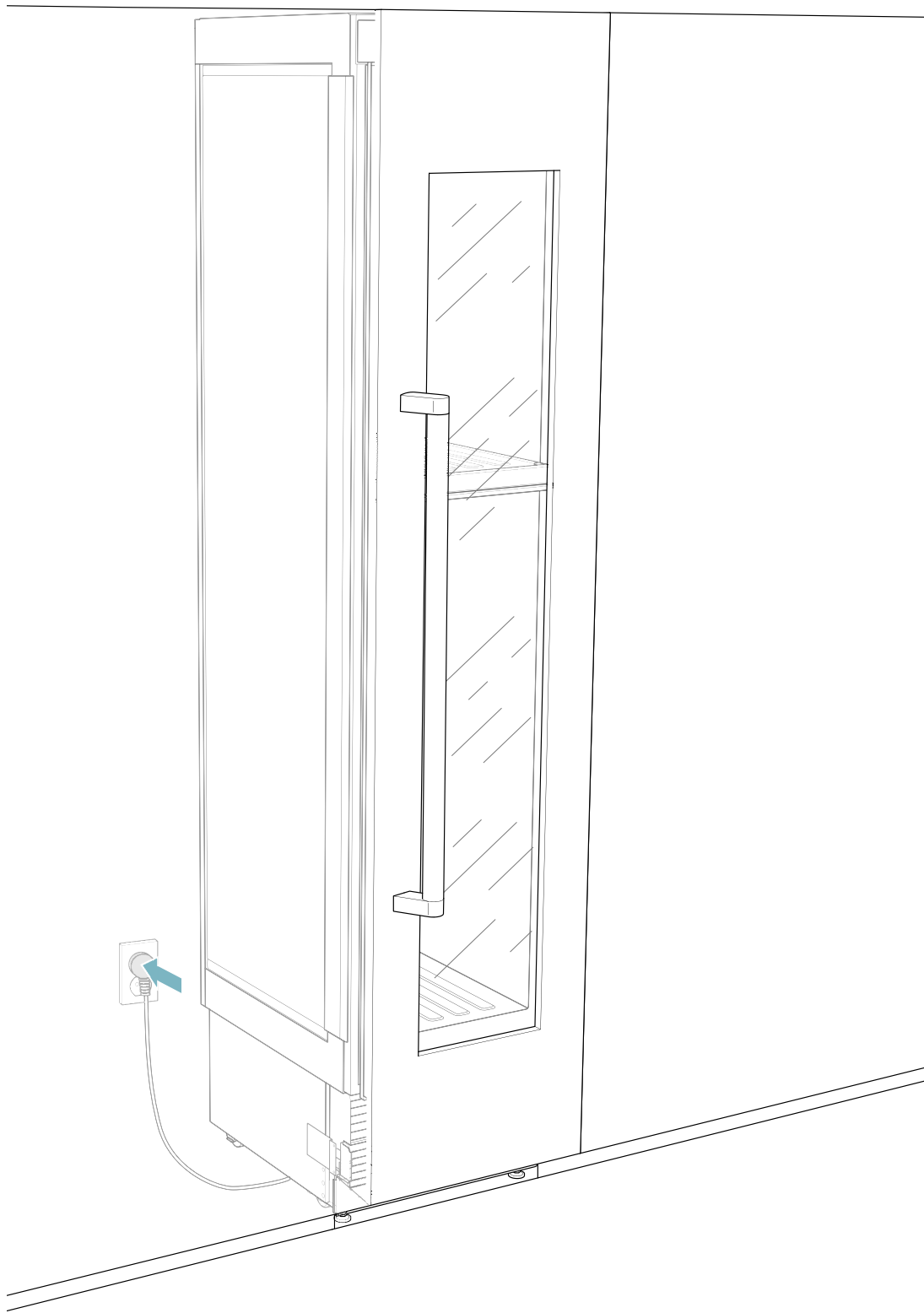


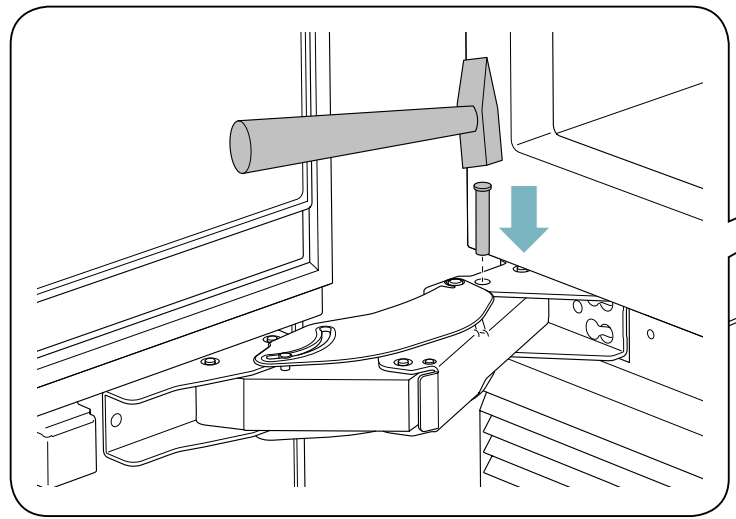
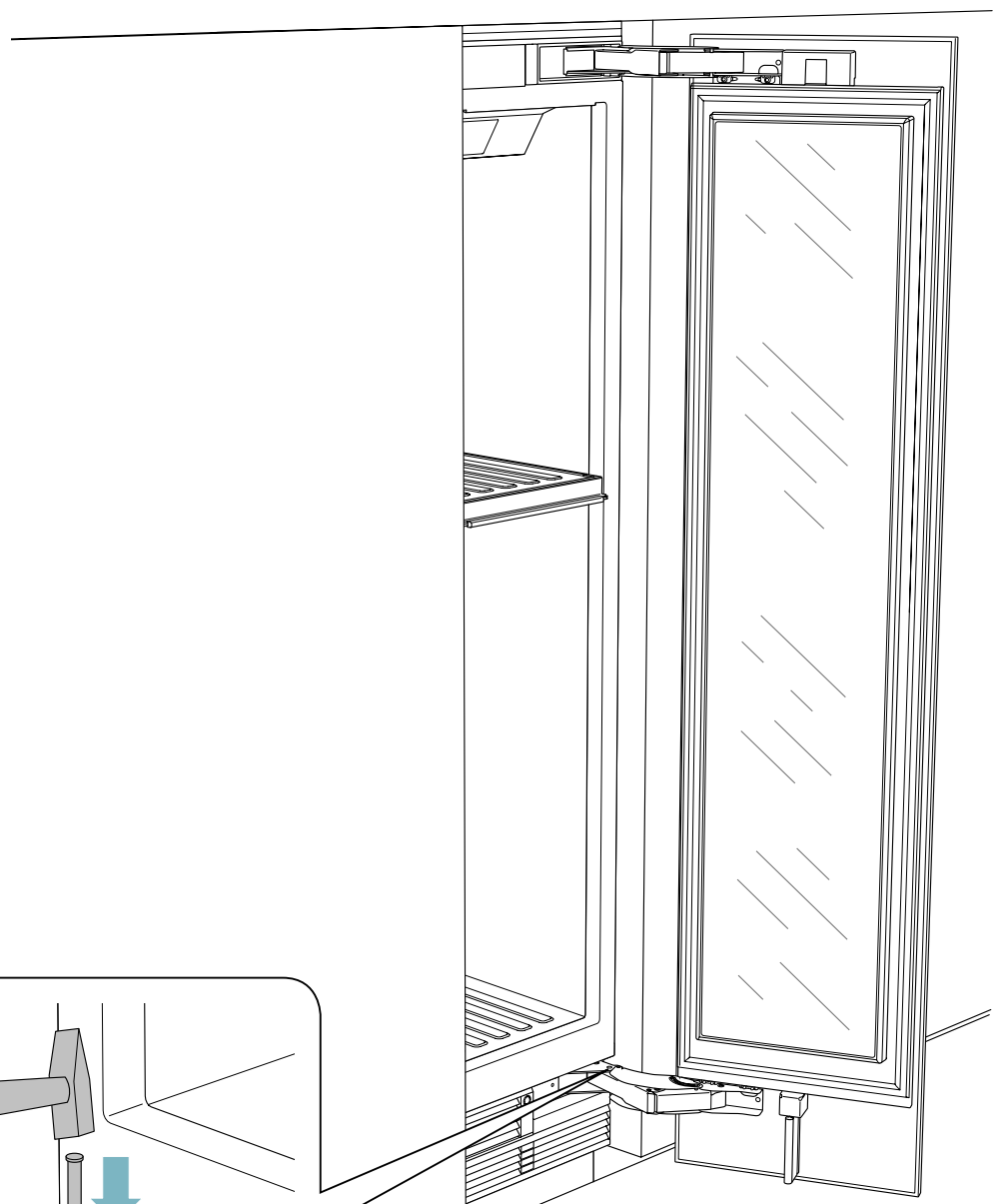
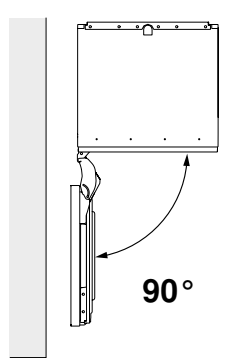
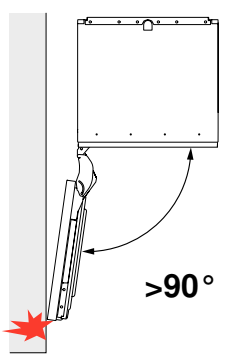
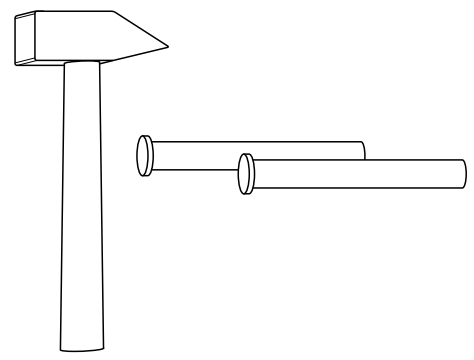
A

B

C

D





©Thermador is a Registered Trademark of BSH Home Appliance Corporation.

©Thermador es una marca registrada de BSH Home Appliance Corporation.

®Thermador est une marque de commerce déposée de BSH Home Appliance Corporation.

Thermador® reserves the right to make changes in models, features and specifications without prior notice.

All rights reserved. Thermador® se reserva el derecho de hacer cambios en los modelos, características y especificaciones sin previo aviso.

Tous droits réservés. Thermador® se réserve le droit d'apporter les changements aux modèles, aux caractéristiques et aux spécifications sans préavis.

8001036401 (9704)  
en-us, fr-ca, es-mx