

WD76-25
30" WARMING DRAWER

AEG

WD76-25

30" STAINLESS STEEL WARMING DRAWER



WARMING DRAWER FEATURES

- 30" wide stainless steel warming drawer
- Touch-open : no handle
- 4 programs (defrost, proofing dough, crockery warming, food warming)
- 9.8" (25cm) high
- 15 place setting capacity

OVERALL WARMING DRAWER DIMENSIONS

- D: 22^{1/16"} x W: 29^{13/16"} x H: 9^{7/8"}
- D: 560 mm x W: 758 mm x H: 251 mm

CUT-OUT DIMENSIONS

- D: min. 23^{5/8"} x W: 29^{3/8"} x H: 10"
- D: 600 mm x W: 720 mm x H: 261 mm

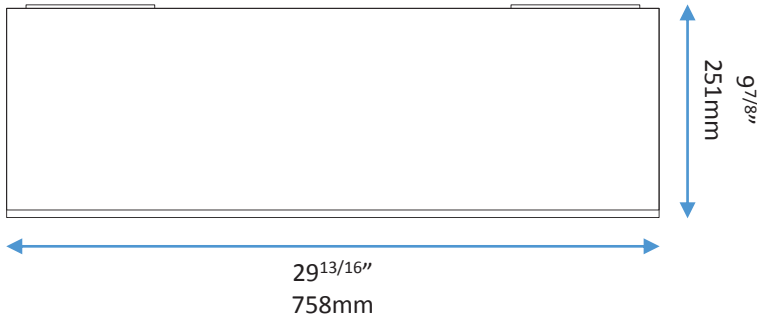
ELECTRICAL REQUIREMENTS

- 110v, 15amp, 60Hz
- Supplied with a 6.5ft cord and plug
- NEMA 6-15R required

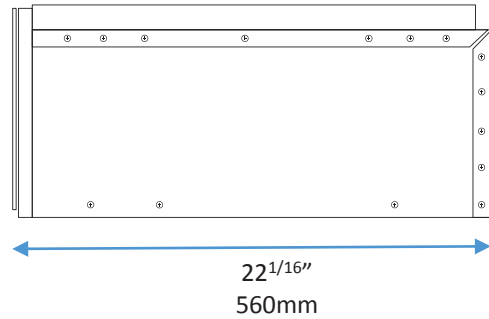
WD76-25

30" STAINLESS STEEL WARMING DRAWER

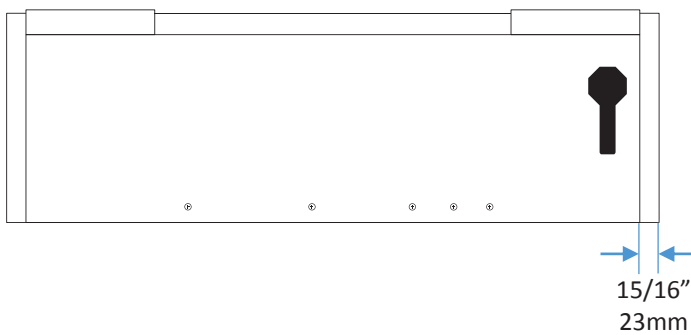
FRONT



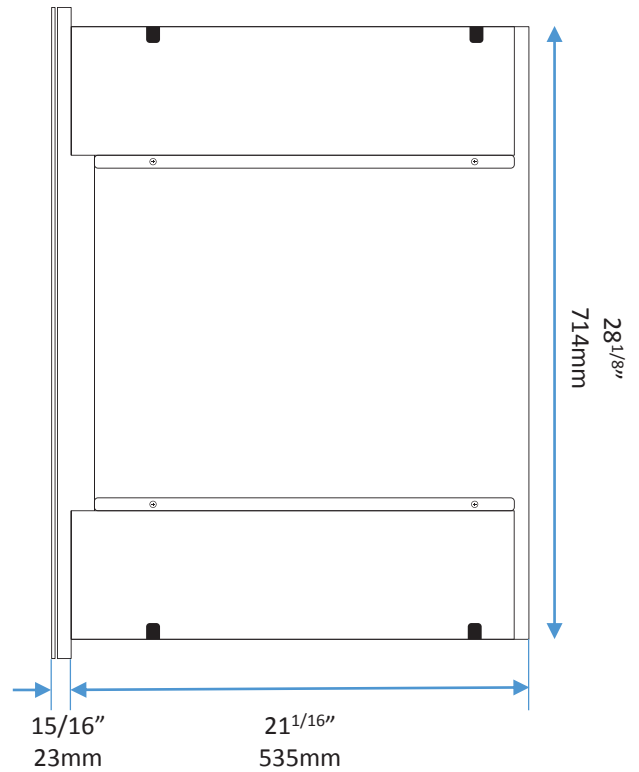
SIDE



BACK



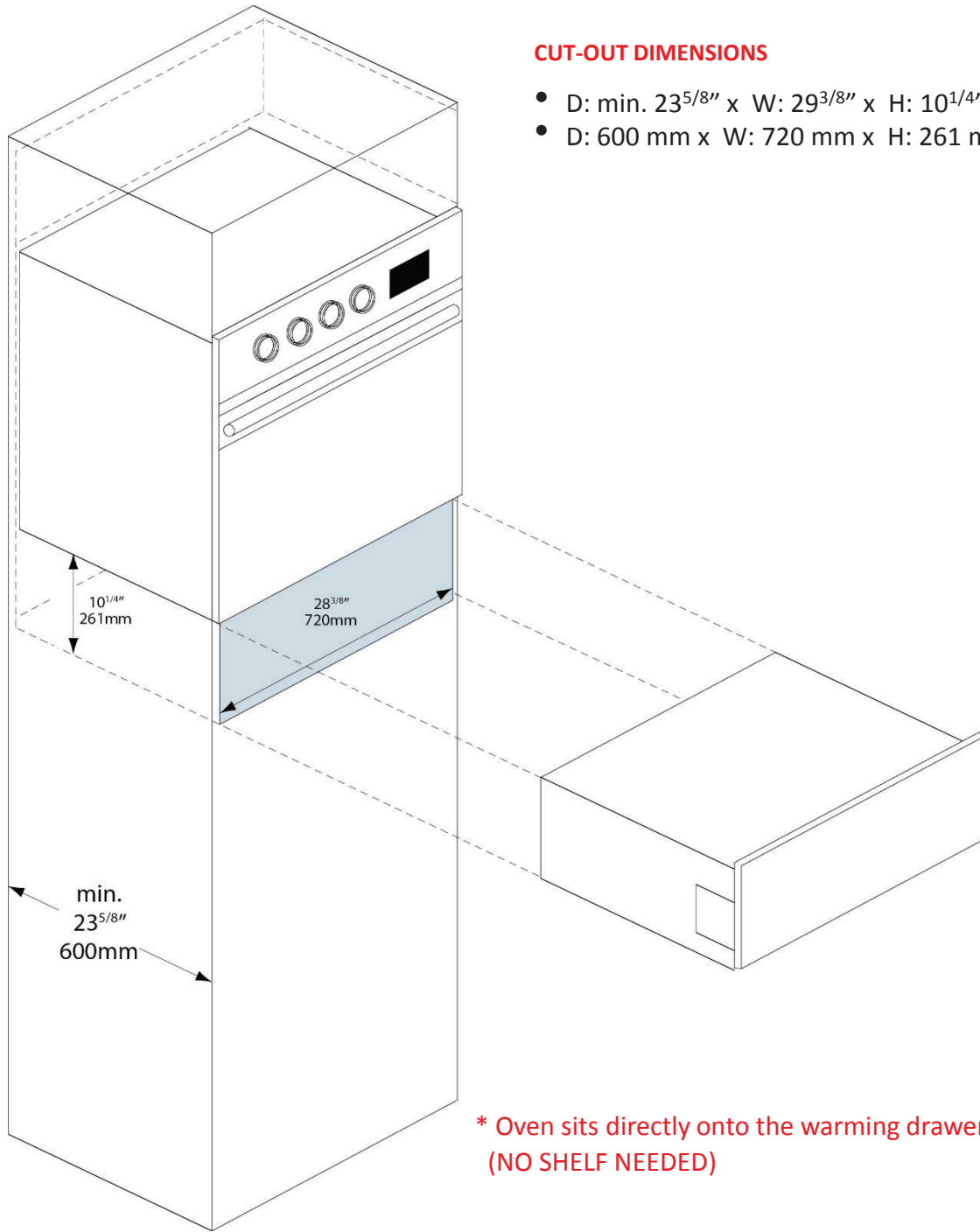
TOP



***Oven can sit directly on the warming drawer**

WD76-25

30" STAINLESS STEEL WARMING DRAWER



AEG

AEG Appliances are designed and manufactured to the highest standards. Each appliance is covered by a comprehensive 2-year parts and labour warranty.

Refer to product warranty policy for complete terms and conditions.

FOR PARTS AND SERVICE

Euro-Parts & Service

39822 Belgrave Road, Belgrave, ON. N0G 1E0

1 800 678 8352 (Canada) • 1 800 561 4614 (U.S.)

www.euro-parts.ca • parts@euro-parts.ca • service@euro-parts.ca

AEG appliances are imported and distributed in North America by Euro-Line Appliances Inc. For more information, please visit one of our showrooms or

www.euro-line-appliances.com www.elawest.com

EURO-LINE APPLIANCES INC.

871 Cranberry Court

Oakville, ON L6L 6J7 Canada

905 829 3980

1 800 421 6332

marketing@euro-line-appliances.com

EURO-LINE APPLIANCES WEST INC.

2912 West 4th Avenue

Vancouver, BC V6K 1R2 Canada

604 235 3980

1 855 ELA WEST (352.9378)

info@elawest.com

