

SPEED OVEN
INSTALLATION GUIDE

SPECIFICATIONS, INSTALLATION, AND MORE



Contents

- 3 Speed Oven
- 4 Specifications
- 7 Installation
- 7 Troubleshooting

Features and specifications are subject to change at any time without notice. Visit wolfappliance.com/specs for the most up-to-date information.

Important Note

To ensure this product is installed and operated as safely and efficiently as possible, take note of the following types of highlighted information throughout this guide:

IMPORTANT NOTE highlights information that is especially important.

CAUTION indicates a situation where minor injury or product damage may occur if instructions are not followed.

WARNING states a hazard that may cause serious injury or death if precautions are not followed.

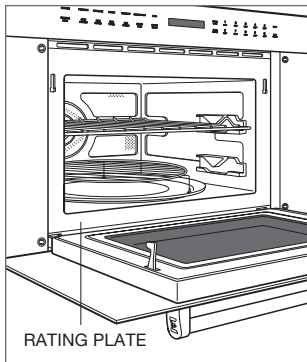
IMPORTANT NOTE: Throughout this guide, dimensions in parentheses are millimeters unless otherwise specified.

IMPORTANT NOTE: Save these instructions for the local electrical inspector.

Product Information

Important product information, including the model and serial number, are listed on the product rating plate. The rating plate is located on the lower left side of the front face frame. The oven door must be open to view the rating plate. Refer to the illustration below.

If service is necessary, contact Wolf Factory Certified Service with the model and serial number. For the name of the nearest Wolf Factory Certified Service or for questions regarding the installation, visit the contact and support section of our website, wolfappliance.com, or call Wolf Customer Care at 800-222-7820.



Rating plate location

Installation Requirements

The speed oven can be installed in a standard or flush inset application.

Finish the edges of the opening. They may be visible when the door is open.

For standard installations, the face trim will overlap stiles and rails. Refer to the chart below.

For flush inset installations, a minimum 1/8" (3) reveal is required on all sides. To ensure consistent reveals, each corner of the opening must be exactly 90°.

If the speed oven is installed above or below a Wolf E series oven in a flush inset application, a 1/4" (6) reveal is required.

INSTALLATION REQUIREMENTS

| BASE SUPPORT | | MIN |
|---------------------|------------------|------------------|
| 24" (610) Model | | 125 lb (57 kg) |
| 30" (762) Model | | 125 lb (57 kg) |
| TRIM OVERLAP | | |
| | 24" MODEL | 30" MODEL |
| Top | 3/16" (5) | 3/16" (5) |
| Bottom | 0" (0) | 0" (0) |
| Sides | 11/16" (18) | 37/8" (98) |

SPECIFICATIONS

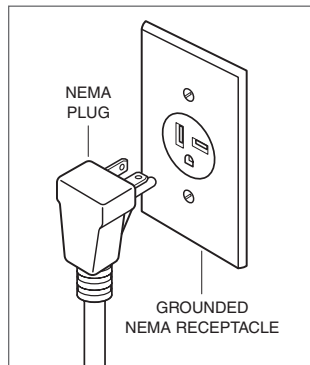
Electrical Requirements

Installation must comply with all applicable electrical codes.

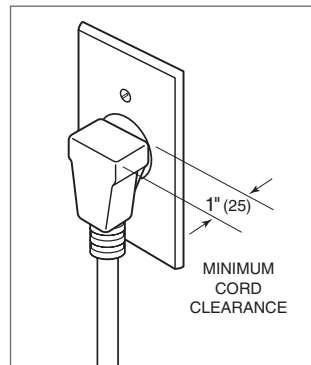
Locate the electrical supply as shown in the illustrations on the following pages. The receptacle may also be located in an adjacent cabinet within reach of the power cord. A separate circuit, servicing only this appliance is required. A ground fault circuit interrupter (GFCI) is not recommended and may cause interruption of operation. Refer to the illustration below for minimum power cord plug clearance.

ELECTRICAL REQUIREMENTS

| | |
|-------------------|------------------------------|
| Electrical Supply | grounded, 240/208 VAC, 60 Hz |
| Service | 15 amp dedicated circuit |
| Receptacle | NEMA 6-20R grounding type |
| Power Cord | 6' (1.8 m) |



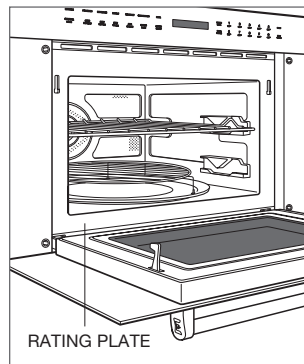
NEMA 6-20R receptacle



Power cord clearance

⚠ WARNING

ELECTRICAL SHOCK HAZARD: Plug into a grounded 3-prong outlet. Do not remove the ground prong. Do not use an adapter. Failure to follow these instructions can result in electric shock, fire, or death.

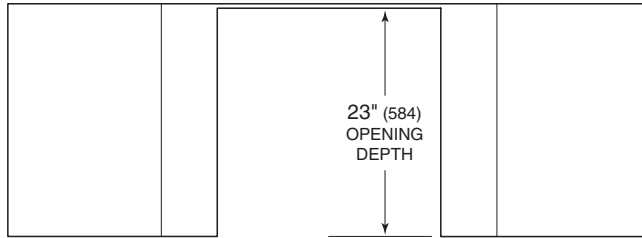


Rating plate location

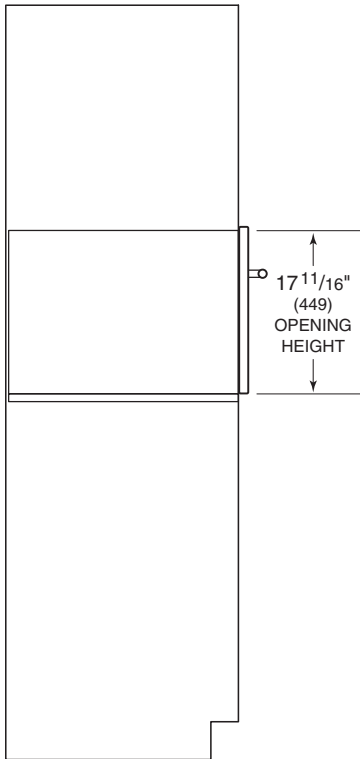
SPECIFICATIONS

Speed Oven

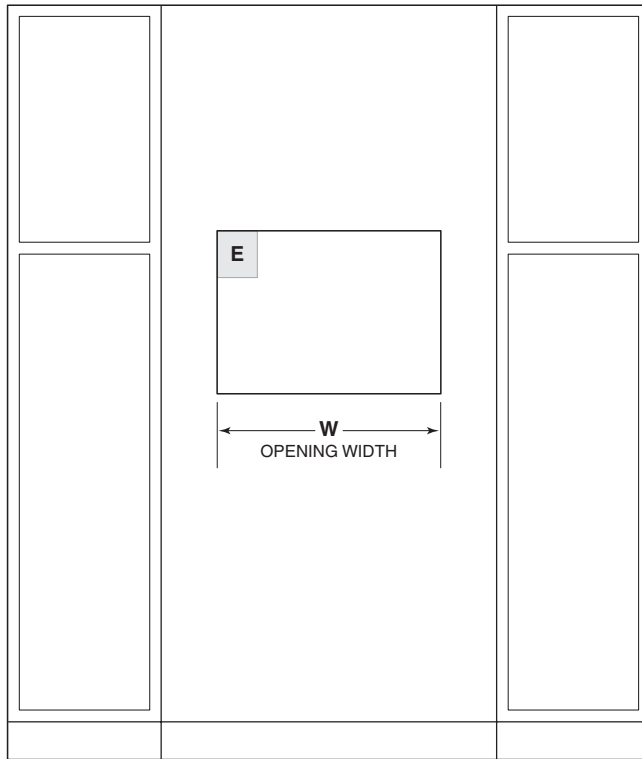
STANDARD INSTALLATION



TOP VIEW



SIDE VIEW



FRONT VIEW

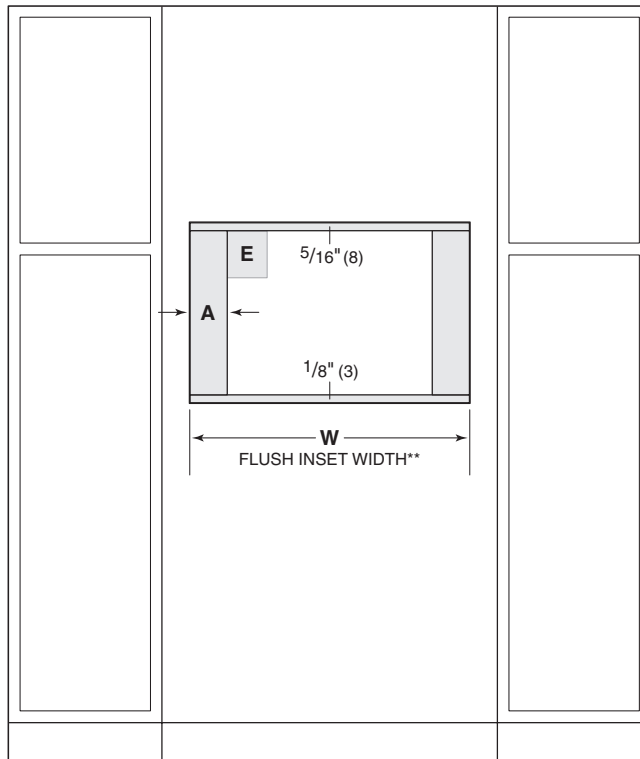
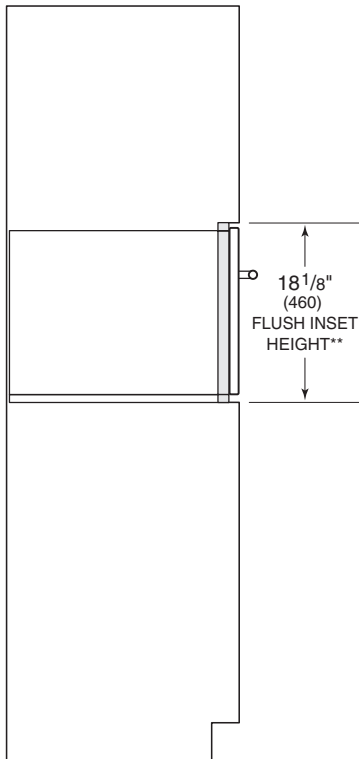
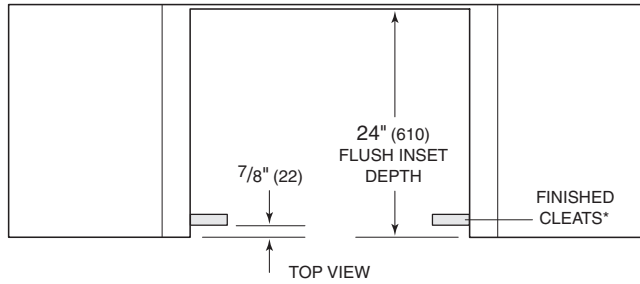
NOTE: 24" (610) and 30" (762) models require the same opening dimensions.

| OPENING WIDTH | W |
|---------------|--|
| 24" Model | 22 ¹ / ₈ " (562) |
| 30" Model | 22 ¹ / ₈ " (562) |

SPECIFICATIONS

Speed Oven

FLUSH INSET INSTALLATION



SIDE VIEW

FRONT VIEW

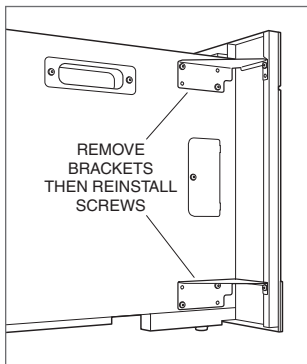
**Will be visible and should be finished to match cabinetry.
 **Dimension provides minimum reveals.*

| FLUSH INSET WIDTH | W | A |
|-------------------|--|---------------------------------------|
| 24" Model | 23 ³ / ₄ " (603) | 1 ³ / ₁₆ " (21) |
| 30" Model | 30 ¹ / ₈ " (765) | 4" (102) |

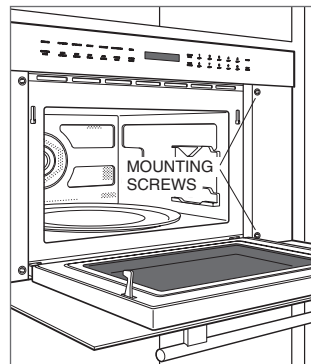
INSTALLATION

Installation

- 1 Turn off power to the electrical outlet.
- 2 Move the unit near the opening. Remove and recycle packing materials.
- 3 The 30" (762) model is shipped with two shipping brackets located on each side, behind the front face. Remove both brackets, then reinstall the screws. Refer to the illustration below.
- 4 Plug the power cord into the grounded outlet.
- 5 Position the oven in the opening and slide back until the mounting flange is flush with the face of the cabinet. Avoid pinching the power cord between the unit and cabinet wall.
- 6 Open the door. Using the two holes on either side of the mounting flange as a template, drill pilot holes into the cabinet using a 1/16" drill bit.
- 7 Mount the oven using the four screws provided. Refer to the illustration below.
- 8 Turn power back on to the electrical outlet.



Shipping brackets



Mounting screws

Troubleshooting

IMPORTANT NOTE: If the speed oven does not operate properly, follow these troubleshooting steps:

- Verify electrical power is supplied to the oven.
- Verify proper electrical connections.
- If the oven does not operate properly, contact Wolf Factory Certified Service. Do not attempt to repair the oven. Wolf is not responsible for service required to correct a faulty installation.



WOLF APPLIANCE, INC. P.O. BOX 44848 MADISON, WI 53744 WOLFAPPLIANCE.COM 800.222.7820

9021482 REV-A

12/2018

