

Induction Ranges Installation Guide



Contents

- 3 Induction Ranges
- 4 Safety Precautions
- 5 Specifications
- 7 Installation
- 11 Troubleshooting

Features and specifications are subject to change at any time without notice. Visit wolfappliance.com/specs for the most up-to-date information.

Important Note

To ensure this product is installed and operated as safely and efficiently as possible, take note of the following types of highlighted information throughout this guide:

IMPORTANT NOTE highlights information that is especially important.

CAUTION indicates a situation where minor injury or product damage may occur if instructions are not followed.

WARNING states a hazard that may cause serious injury or death if precautions are not followed.

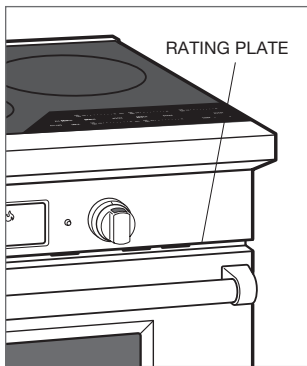
IMPORTANT NOTE: Throughout this guide, dimensions in parentheses are millimeters unless otherwise specified.

IMPORTANT NOTE: Save these instructions for the local electrical inspector.

Product Information

Important product information including the model and serial number are listed on the product rating plate. The rating plate is located on the bottom of the control panel assembly, at the far right, just above the oven door. Refer to the illustration below.

If service is necessary, contact Wolf factory certified service with the model and serial number. For the name of the nearest Wolf factory certified service or for questions regarding the installation, visit the contact & support section of our website, wolfappliance.com or call Wolf customer care at 800-222-7820.



Rating plate location.

IMPORTANT INSTRUCTIONS

⚠ WARNING

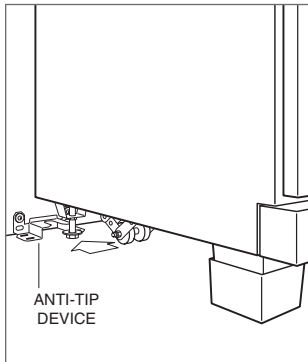
A child or adult can tip this appliance and be killed.

Verify the anti-tip device has been properly installed and engaged. Ensure the anti-tip device is re-engaged when this appliance is moved. Refer to the illustrations below for how to verify correct installation.

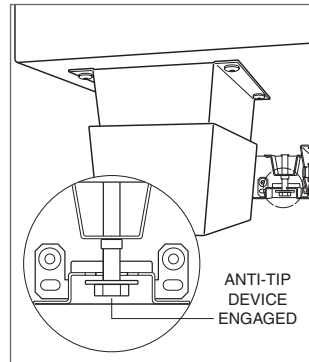
Do not operate this appliance without the anti-tip device in place and engaged. Failure to do so can result in death or serious burns to children or adults.

To reduce the risk of burns, do not move this appliance while hot.

- This appliance is equipped with casters on two or more legs and must be installed on 1/8" (3) thick commercial grade vinyl composition floor finishing materials or equivalent.
- This appliance is not approved for downward air-flow ventilation or air curtain equivalent.



Anti-tip device location.



Anti-tip device engaged.

Installation Requirements

Follow all minimum clearances to combustible surfaces shown in the illustration on page 6.

Electrical

Installation must comply with all applicable electrical codes.

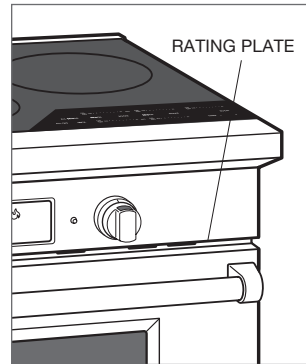
Locate the electrical supply flush with the wall or floor and within the shaded area shown in the illustration on page 6. A separate circuit, servicing only this appliance is required.

If a power supply cord is being used, the cord must be designated for use with ranges and rated for 240 V, 50 amps, and must include 3 or 4 conductors. A 4-conductor cord is required for installations where grounding through the neutral is prohibited.

Performance may be compromised if the electrical supply is less than 240 volts.

ELECTRICAL REQUIREMENTS

Electrical Supply	grounded, 240 VAC, 60 Hz
Service	50 amp dedicated circuit

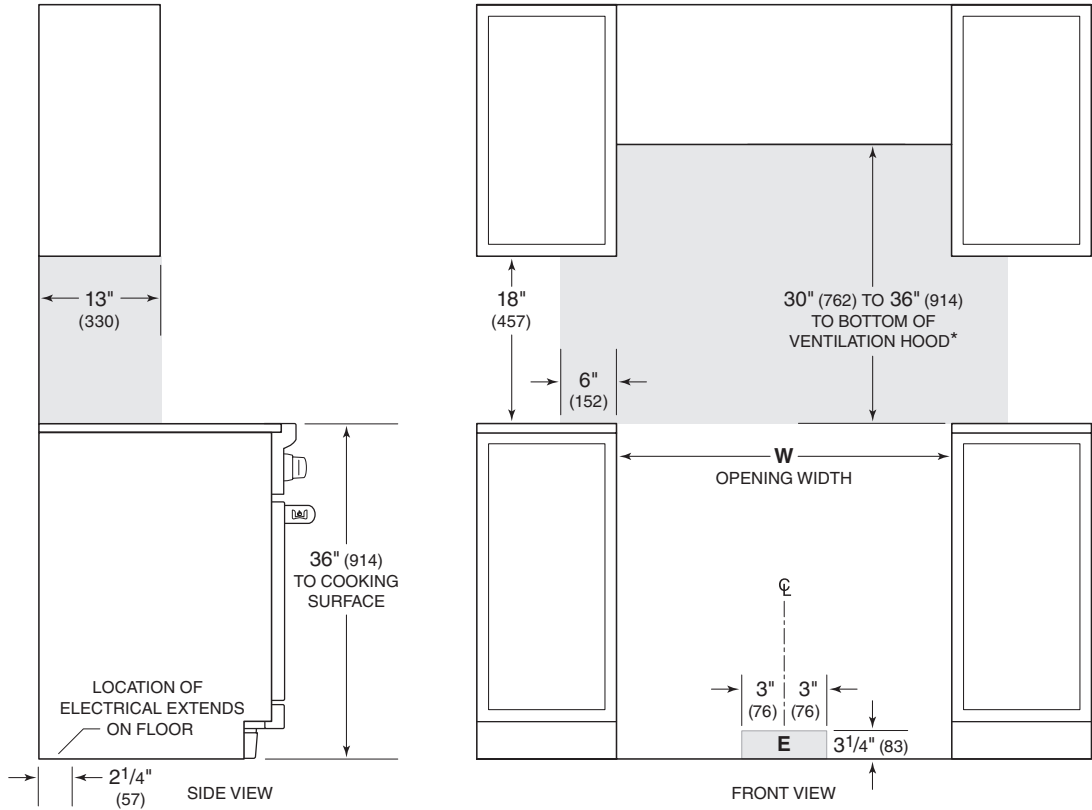


Rating plate location.

SPECIFICATIONS

Induction Range

INSTALLATION



**Without ventilation hood, 36" (914) minimum clearance countertop to combustible materials.*

NOTE: Shaded area above countertop indicates minimum clearance to combustible surfaces, combustible materials cannot be located within this area.

For island installation, 12" (305) minimum clearance back of range to combustible rear wall above countertop.

OPENING WIDTH	W
30" Range	30" (762)
36" Range	36" (914)

Preparation

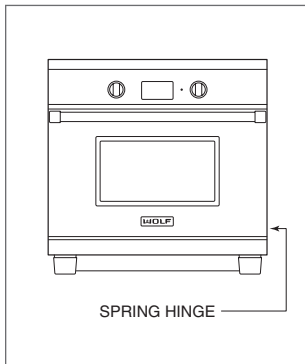
Before moving the range, protect any finished flooring and secure the oven door closed to prevent damage.

To lighten the load or to fit through a door way, the oven door can be removed. Only remove if necessary. Door removal should only be done by a certified installer or service technician.

For removal, a hinge pin will be inserted into the appropriate hinge shown in the illustration below. The pin is located inside the oven door. The hinge pin must be inserted in the right hinge.

CAUTION

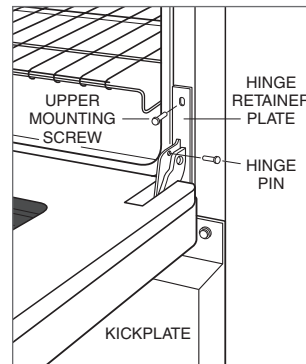
Failure to insert the hinge pin in the appropriate hinge arm will cause damage to the range.



Hinge pin.

OVEN DOOR REMOVAL

- 1 Insert the hinge pin into the appropriate hinge.
- 2 Remove the lower kickplate assembly to access the lower hinge retainer mounting screws.
- 3 Open the oven door and remove both upper and lower hinge retainer mounting screws. The oven gasket may have to be moved slightly to access the bottom screws.
- 4 Move the hinge retainer plate forward slightly. The hinge retainer plate will remain on the door hinge after the mounting screws have been removed.
- 5 Carefully close the oven door to approximately 60°, then lift the door up and out. A slight rocking motion may be required for removal.



Oven door removal.

INSTALLATION

Placement

Do not lift or carry the oven door by the door handle. The range has rear casters which allow for easy movement by lifting the front of the unit.

Use an appliance dolly to move the range near the opening. Remove and recycle packing materials. Do not discard the anti-tip bracket supplied with the range.

If a riser has been specified, refer to the installation instructions packaged with the riser. The riser must be installed before the range is installed.

Leveling

Raise the range to its desired height by adjusting the front legs and rear casters. Use a $\frac{3}{4}$ " socket to adjust the rear casters. The front legs can be adjusted by rotating the hexagonal leg clockwise to raise and counterclockwise to lower.

INSTALLATION

Anti-Tip Bracket

To prevent the range from tipping forward, the anti-tip bracket must be installed. To ensure the anti-tip bolt engages the bracket, refer to the chart and illustration below to determine proper placement.

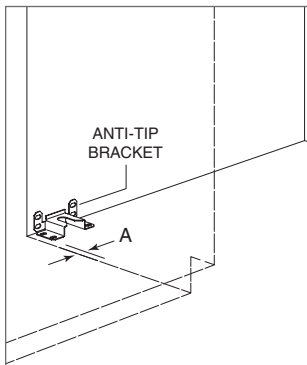
ANTI-TIP BRACKET	A
30" Range	$\frac{3}{16}$ " (5)
36" Range	$\frac{9}{16}$ " (14)

INSTALL BRACKET

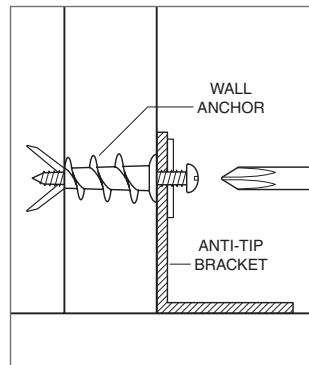
Drywall application | After properly positioning the anti-tip bracket, mark holes, then use a Phillips screwdriver or a low rpm power drill to drive the wall anchor into the surface of the wallboard until flush. Pre-drill holes if needed. For hard wallboard or double-board construction, use a $\frac{1}{4}$ " drill bit. For solid plaster, use a $\frac{7}{16}$ " drill bit. Refer to the illustration below. Use #8 screws and flat washers to fasten the bracket to the wall.

Wood floor application | After properly positioning the anti-tip bracket, drill $\frac{3}{16}$ " (5) pilot holes through the floor. Use #12 screws and flat washers to secure the bracket to the floor.

Concrete floor application | After properly positioning the anti-tip bracket drill $\frac{3}{8}$ " (10) holes into the concrete a minimum of $1\frac{1}{2}$ " (38) deep. Use $\frac{3}{8}$ " wedge anchors to secure the bracket to the floor.



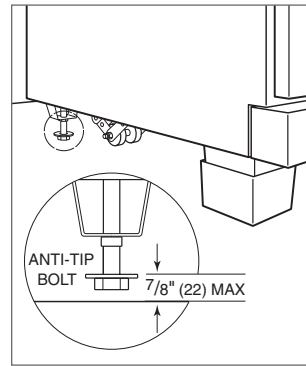
Anti-tip bracket location.



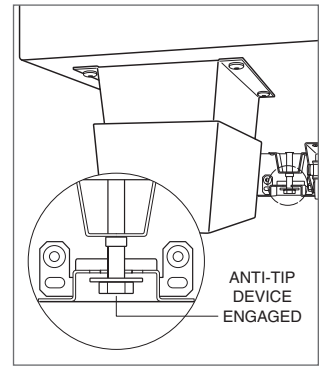
Wall anchor installation.

ANTI-TIP BOLT ADJUSTMENT

Once the bracket is secure, adjust the anti-tip bolt so the top of the washer is $\frac{7}{8}$ " (22) maximum from the floor. Slide the range into the opening and verify the anti-tip bolt is engaged. Refer to the illustrations below.



Anti-tip bolt adjustment.



Anti-tip bolt engaged.

Electrical Connection

The terminal block on the back of the range allows for a 3-wire or 4-wire installation. For a 4-wire installation, the ground strap from the unit to the terminal block must be cut. Two concentric knockouts are provided to allow for permanent or cordset wiring of the unit.

THREE-WIRE ELECTRICAL SYSTEM

- 1 Where local codes permit, connect the ground appliance wire to the neutral (white) supply wire.
- 2 Connect the ground and white appliance wires to the neutral (white) supply wire in the electrical box.
- 3 Connect the black appliance wire to the black (L1) power supply wire in the electrical box.
- 4 Connect the red appliance wire to the red (L2) power supply wire in the electrical box.

FOUR-WIRE ELECTRICAL SYSTEM

- 1 Separate the ground and white appliance wires.
- 2 Connect the white appliance wire to the neutral (white) supply wire in the electrical box.
- 3 Connect the black appliance wire to the black (L1) power supply wire in the electrical box.
- 4 Connect the red appliance wire to the red (L2) power supply wire in the electrical box.
- 5 Connect the ground appliance wire to the green/ground house grounding wire in the electrical box.

Troubleshooting

IMPORTANT NOTE: If the range does not operate properly, follow these troubleshooting steps:

- Verify electrical power is supplied to the range.
- If the range does not operate properly, contact Wolf factory certified service. Do not attempt to repair the range. Wolf is not responsible for service required to correct a faulty installation.



WOLF APPLIANCE, INC. P.O. BOX 44848 MADISON, WI 53744 WOLFAPPLIANCE.COM 800.222.7820

9/2016