

EUROPA

PYRAMID

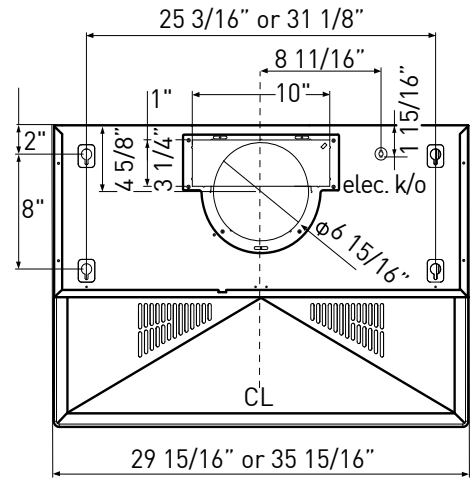
UNDER-CABINET

Classic, architectural lines meet at an apex to energize the familiar look of the chimney style under-cabinet hood. This expressive yet utilitarian design also features an adjustable back-panel utensil bar that accommodates a

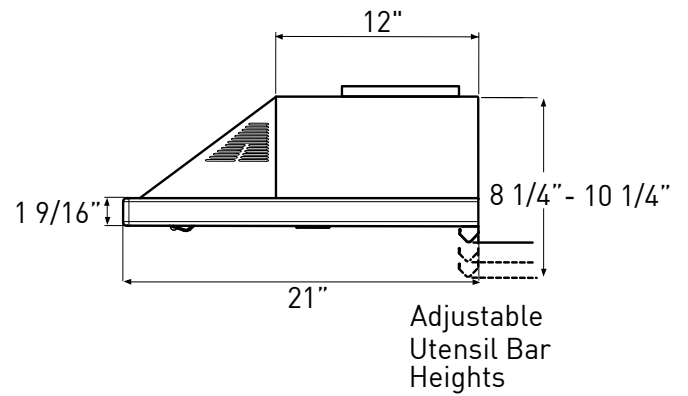
variety of cabinet depths to put cooking utensils within easy reach. New control configuration and 12" depth ensure simple operation and a true fit with popular cabinet styles.

ZEPHYR

ZEPHYRONLINE.COM

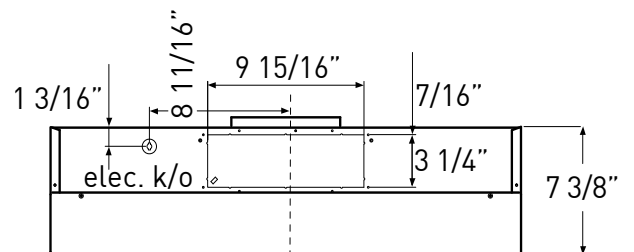


TOP



Adjustable Utensil Bar Heights

SIDE



CL

BACK

MODEL	ZPY-E30AS	ZPY-E36AS	ZPY-E30AS290
Stainless Steel			
Size	30"	36"	30"
Blower CFM (Min. - Max.)	210 - 400	210 - 400	120 - 290
Sones (Min. - Max.)	2 - 5	2 - 5	1.1 - 3.2
FEATURES			
Controls	Mechanical Slide	Mechanical Slide	Mechanical Slide
Speed Levels	3	3	3
Auto Delay-Off	No	No	No
Lighting	Halogen, 50W x2	Halogen, 50W x2	Halogen, 50W x2
Dual-Level Lighting	Yes	Yes	Yes
Filters	Aluminum Mesh x2	Aluminum Mesh x2	Aluminum Mesh x2
Recirculating Option	Yes	Yes	Yes
Adjustable Utensil Rail	Yes, Up to 3"	Yes, Up to 3"	Yes, Up to 3"
DUCT SPECIFICATIONS			
Vertical Internal Blower	7" Round or 3-1/4" x 10"	7" Round or 3-1/4" x 10"	7" Round or 3-1/4" x 10"
Horizontal Internal Blower	3-1/4" x 10"	3-1/4" x 10"	3-1/4" x 10"
AC POWER	120V, 60Hz at Max. 2A	120V, 60Hz at Max. 2A	120V, 60Hz at Max. 2A
OPTIONAL ACCESSORIES			
Recirculating Kit	ZRC-0200	ZRC-0200	ZRC-0200
Make-Up Air Kit	MUA006A	MUA006A	NA
MOUNTING HEIGHT RANGE*	24" - 32"	24" - 32"	24" - 32"
WARRANTY	3 years parts, 1 year labor	3 years parts, 1 year labor	3 years parts, 1 year labor

*Mounting height refers to distance between top of a 36" tall cooking surface and bottom of hood.