

EUROPA

TAMBURO

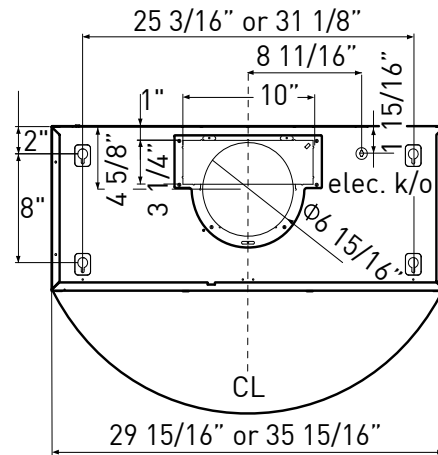
UNDER-CABINET

With Tamburo, we've thrown a major curve to the typical under-cabinet configuration, with a fresh approach that's designed to fit your life. This true original also offers halogen lighting, three speeds and an adjustable

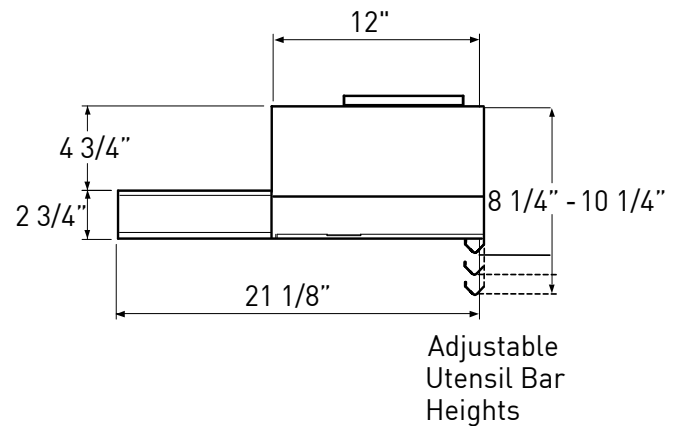
utensil bar to keep all of your larger cooking utensils right where you want them—above the cooking surface. New control configuration and 12" depth ensure simple operation and a true fit with popular cabinet styles.

ZEPHYR

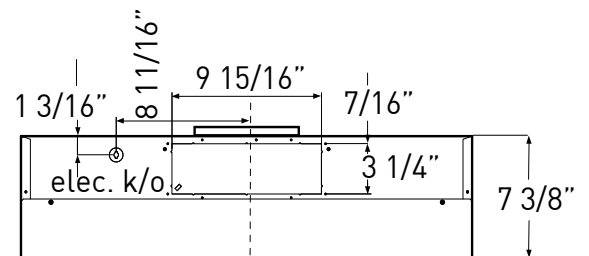
ZEPHYRONLINE.COM



TOP



SIDE



CL

BACK

MODEL	ZTA-E30AS	ZTA-E36AS	ZTA-E30AS290
Stainless Steel			
Size	30"	36"	30"
Blower CFM (Min. - Max.)	210 - 400	210 - 400	120 - 290
Sones (Min. - Max.)	2 - 5	2 - 5	1.1 - 3.2
FEATURES			
Controls	Mechanical Slide	Mechanical Slide	Mechanical Slide
Speed Levels	3	3	3
Auto Delay-Off	No	No	No
Lighting	Halogen, 50W x2	Halogen, 50W x2	Halogen, 50W x2
Dual-Level Lighting	Yes	Yes	Yes
Filters	Aluminum Mesh x2	Aluminum Mesh x2	Aluminum Mesh x2
Recirculating Option	Yes	Yes	Yes
Adjustable Utensil Rail	Yes, Up to 3"	Yes, Up to 3"	Yes, Up to 3"
DUCT SPECIFICATIONS			
Vertical Internal Blower	7" Round or 3-1/4" x 10"	7" Round or 3-1/4" x 10"	7" Round or 3-1/4" x 10"
Horizontal Internal Blower	3-1/4" x 10"	3-1/4" x 10"	3-1/4" x 10"
AC POWER	120V, 60Hz at Max. 1.7A	120V, 60Hz at Max. 1.7A	120V, 60Hz at Max. 1.55A
OPTIONAL ACCESSORIES			
Recirculating Kit	ZRC-0200	ZRC-0200	ZRC-0200
Make-Up Air Kit	MUA006A	MUA006A	NA
MOUNTING HEIGHT RANGE*	24" - 32"	24" - 32"	24" - 32"
WARRANTY	3 years parts, 1 year labor	3 years parts, 1 year labor	3 years parts, 1 year labor

*Mounting height refers to distance between top of a 36" tall cooking surface and bottom of hood.