

One of the original curved-canopy range hoods, Milano has become an icon by virtue of its timeless design. Including Zephyr's DCBL Suppression System®, Milano takes range hood design and performance to higher

grounds. Outfitted with two Bloom™ HD LED light bulbs and electronic LCD controls, Milano is as relevant today as it was the day we introduced it in 2001. Canopies available in clear glass and stainless steel.



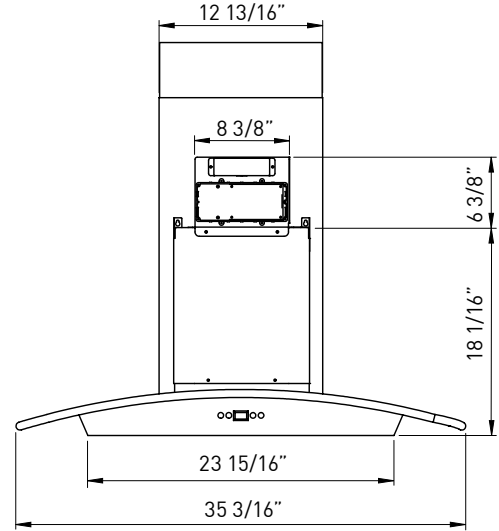
ACT™

Min. - Max. CFM	INTERNAL BLOWER STANDARD	INTERNAL BLOWER with ACT™ AIRFLOW CONTROL TECHNOLOGY™*		
	250 - 715	250 - 590	250 - 390	250 - 290
Min. - Max. Sones	0.8 - 5.8	0.8 - 4.5	0.8 - 3	0.8 - 1.2

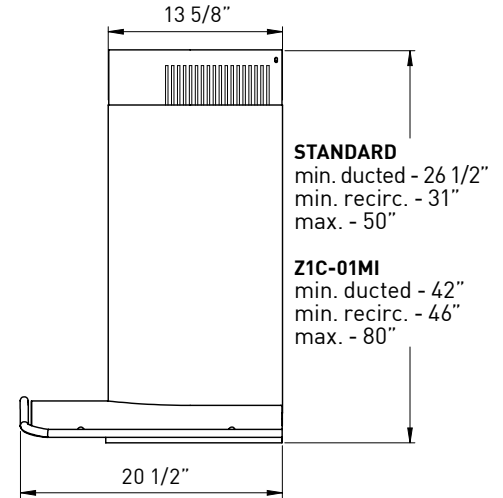
\*AIRFLOW CONTROL TECHNOLOGY™ (ACT™) is an exclusive feature built into specific Zephyr hoods which can limit the maximum blower CFM to meet local code requirements.



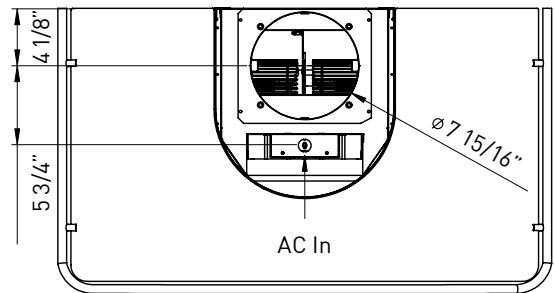
Optional Wireless Remote Control



FRONT



SIDE



TOP

**MODEL**

Glass canopy	ZMI-M90BG
Stainless Steel canopy	ZMI-M90BS

<b>Size</b>	36"
<b>Blower CFM (Min. - Max.)</b>	250 - 715
<b>Sones (Min. - Max.)</b>	0.8 - 5.8
<b>ACT 590 CFM (Min. - Max.)</b>	250 - 590
<b>ACT 590 Sones (Min. - Max.)</b>	0.8 - 4.5
<b>ACT 390 CFM (Min. - Max.)</b>	250 - 390
<b>ACT 390 Sones (Min. - Max.)</b>	0.8 - 3
<b>ACT 290 CFM (Min. - Max.)</b>	250 - 290
<b>ACT 290 Sones (Min. - Max.)</b>	0.8 - 1.2

**FEATURES**

<b>DCBL Suppression System®</b>	Yes
<b>ACT™ Technology</b>	Yes
<b>Controls</b>	Electronic LCD
<b>Speed Levels</b>	5 + Burst
<b>Auto Delay-Off</b>	Yes
<b>Lighting</b>	Bloom™ HD LED, 6W x2
<b>Dual-Level Lighting</b>	Yes
<b>Filters</b>	Aluminum Mesh x1
<b>Recirculating Option</b>	Yes
<b>Extension Duct Cover Option</b>	Yes, Up to 12' Ceiling

**DUCT SPECIFICATIONS**

<b>Vertical Internal Blower</b>	8" Round
<b>Horizontal Internal Blower</b>	NA
<b>AC POWER</b>	120V, 60Hz at Max. 4A

**OPTIONAL ACCESSORIES**


<b>Wireless Remote Control</b>	RC-0001
<b>Recirculating Kit</b>	ZRC-00MI
<b>Extension Duct Cover</b>	Z1C-01MI
<b>Make-Up Air Kit</b>	MUA008A

**MOUNTING HEIGHT RANGE\*** 26" - 34"

**WARRANTY** 3 years parts, 1 year labor

CEILING HEIGHT		8'	8.5'	9'	9.5'	10'	10.5'	11'	12'
STANDARD DUCT COVER	Ducted Mounting Height*	26" - 33.5"	26" - 34"	26" - 34"	28" - 34"	34" - 34"	NA	NA	NA
	Recirc Mounting Height*	26" - 29"	26" - 34"	26" - 34"	28" - 34"	34" - 34"	NA	NA	NA
EXTENSION DUCT COVER	Ducted Mounting Height*	NA	NA	26" - 30"	26" - 34"	26" - 34"	26" - 34"	26" - 34"	28" - 34"
	Recirc Mounting Height*	NA	NA	26" - 26"	26" - 32"	26" - 34"	26" - 34"	26" - 34"	28" - 34"

\*Mounting height refers to distance between top of a 36" tall cooking surface and bottom of hood.

**DCBL**  SUPPRESSION SYSTEM™ DCBL Suppression System® offers 77% less noise, 30% more CFM, and 77% more energy efficiency for the most advanced range hood technology.

**ACT**™ AIRFLOW CONTROL TECHNOLOGY™ (ACT™) is an exclusive feature built into specific Zephyr hoods which can limit the maximum blower CFM to meet local code requirements.

Specifications subject to change, check zephyronline.com for up-to-date information.  
Zephyr Ventilation | 2277 Harbor Bay Parkway, Alameda, CA 94502 | 888.880.VENT

AUG15.0101

