

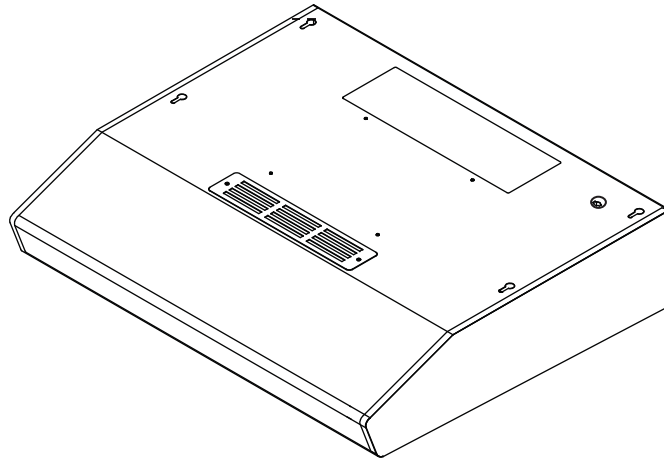
Use, Care, and Installation Guide

Breeze I

AK1124x, AK1100x, AK1136x

Breeze II

AK1200x, AK1236x



Model number: _____

Serial Number: _____

Date of Purchase: _____

Sales Dealer: _____

APR14.0601 © Zephyr Corporation

READ AND SAVE THESE INSTRUCTIONS

SAFETY NOTICE 2-3

LIST OF MATERIALS..... 4

INSTALLATION

 Ducting Calculation Sheet..... 5

 Mounting Height & Clearance..... 6

 Ducting Options 7

 Specifications 8

 Preparing Electrical..... 9

 Preparing Electrical and Ducting..... 10

 Converting to Air Recirculating Mode..... 11-12

 Mounting the Range Hood 13

FEATURES & CONTROLS

 Controls & Features..... 14

MAINTENANCE

 Cleaning and Filter Removal..... 15

 Lights..... 16

TROUBLESHOOTING..... 17

WIRING DIAGRAMS 18

LIST OF PARTS AND ACCESSORIES 19

Important Safety Notice

WARNING

TO REDUCE THE RISK OF FIRE OR ELECTRIC SHOCK, DO NOT USE THIS FAN WITH ANY SOLID-STATE CONTROL DEVICE.

WARNING

TO REDUCE THE RISK OF FIRE ELECTRIC SHOCK, OR INJURY TO PERSONS, OBSERVE THE FOLLOWING:

- a. Use this unit only in the manner intended by the manufacturer, if you have questions, contact the manufacturer.
- b. Before servicing or cleaning unit, switch power off at service panel and lock panel to prevent power from being switched on accidentally. When the service disconnecting means cannot be locked, securely fasten a prominent warning device, such as a tag, to the service panel.

CAUTION

For general ventilating use only. Do not use to exhaust hazardous or explosive materials and vapors. Take care when using cleaning agents or detergents. Suitable for use in household cooking area.

WARNING

TO REDUCE THE RISK OF RANGE TOP GREASE FIRE:

- a. Never leave surface units unattended at high settings. Boilovers cause smoking and greasy spillovers that may ignite. Heat oils slowly on low or medium settings.
- b. Always turn hood ON when cooking at high heat or when flaming food
- c. Clean ventilating fans frequently. Grease should not be allowed to accumulate on fan or filter.
- d. Use proper pan size. Always use cookware appropriate for the size of the surface element.
- e. Keep fan, filters and grease laden surfaces clean.
- f. Use high setting on hood only when necessary.
- g. Don't leave hood unattended when cooking.
- h. Always use cookware and utensils appropriate for the type of and amount of food being prepared.

WARNING

TO REDUCE THE RISK OF INJURY TO PERSONS IN THE EVENT OF A RANGE TOP FIRE, OBSERVE THE FOLLOWING:

- a. SMOTHER FLAMES with a close-fitting lid, cookie sheet, or metal tray, then turn off the burner. BE CAREFUL TO PREVENT BURNS. If the flames do not go out immediately, EVACUATE AND CALL THE FIRE DEPARTMENT.
- b. NEVER PICK UP A FLAMING PAN – You may be burned.
- c. DO NOT USE WATER, including wet dishcloths or towels – a violent steam explosion will result.
- d. Use an extinguisher ONLY if:
 - 1. You know you have a Class ABC extinguisher, and you already know how to operate it.
 - 2. The fire is small and contained in the area where it started.
 - 3. The fire department is being called.
 - 4. You can fight the fire with your back to an exit

WARNING

TO REDUCE THE RISK OF FIRE, ELECTRIC SHOCK OR INJURY TO PERSONS, OBSERVE THE FOLLOWING:

- a. Installation work and electrical wiring must be done by qualified person(s) in accordance with all applicable codes and standards. Including fire-rated construction.
- b. Sufficient air is needed for power combustion and exhausting of gases through the flue (chimney) of fuel burning equipment to prevent back-drafting. Follow the heating equipment manufacturer's guideline and safety standards such as those published by the National Fire Protection Association (NFPA) and the American Society for Heating, Refrigeration and Air Conditioning Engineers (ASHRAE) and the local code authorities.
- c. When cutting or drilling into wall or ceiling, do not damage electrical wiring and other hidden utilities.
- d. Ducted fans must always vent to the outdoors.
- e. If this unit is to be installed over a tub or shower, it must be marked as appropriate for the application and be connected to a GFI (Ground Fault Interrupter protected branch circuit).
- g. NEVER place a switch where it can be reached from a tub or shower.
- h. Make sure the power is off before installing, wiring or maintenancing.

WARNING

TO REDUCE THE RISK OF FIRE, USE ONLY METAL DUCTWORK.
NOT FOR USE OVER AN OUTDOOR GRILL.

CAUTION

To reduce risk of fire and to properly exhaust air outside - Do not vent exhaust air into spaces within walls, ceilings, attics, crawl spaces or garages.

For indoor use only.

Do not use over cooking equipment greater than 60,000 BTU/hr.
This hood is not intended to be used as a shelf.

OPERATION

Always leave safety grilles and filters in place. Without these components, operating blowers could catch onto hair, fingers and loose clothing.

The manufacturer declines all responsibility in the event of failure to observe the instructions given here for installation, maintenance and suitable use of the product. The manufacturer further declines all responsibility for injury due to negligence and the warranty of the unit automatically expires due to improper maintenance.

***NOTE: Please check www.zephyronline.com for revisions before doing any custom work.**

ELECTRICAL REQUIREMENTS

Important:

Observe all governing codes and ordinances.

It is the customer's responsibility:

- To contact a qualified electrical installer.
- To assure that the electrical installation is adequate and in conformance with National Electrical Code, ANSI/NFPA 70 latest edition* or CSA standards C22.1-94, Canadian Electrical Code, Part 1 and C22.2 No.0-M91 - latest edition** and all local codes and ordinances.

If codes permit and a separate ground wire is used, it is recommended that a qualified electrician determine that the ground path is adequate.

Do not ground to a gas pipe.

Check with a qualified electrician if you are not sure the range hood is properly grounded.

Do not have a fuse in the neutral or ground circuit.

*National Fire Protection Association Batterymarch Park, Quincy, Massachusetts 02269

** CSA International 8501 East Pleasant Valley Road, Cleveland, Ohio 44131-5575

This appliance requires a 120V 60Hz electrical supply and connected to an individual properly grounded branch circuit protected by a 15 or 20 ampere circuit breaker or time delay fuse. Wiring must be 2 wire with ground. Please also refer to Electrical Diagram on product.

A cable locking connector (not supplied) might also be required by local codes. Check with local requirements, purchase and install appropriate connector if necessary.

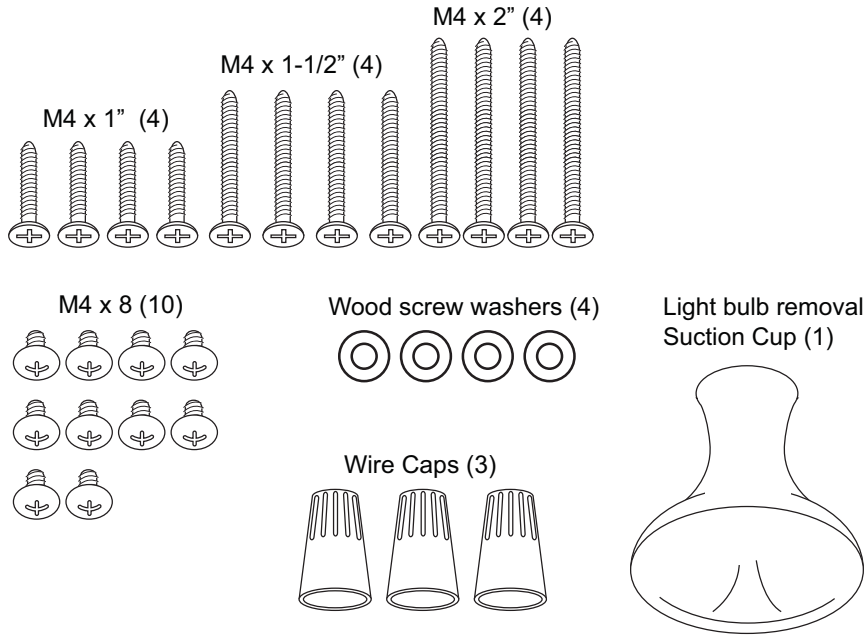
List of Materials

MODELS: BREEZE I - AK1124x, AK1100x, AK1136x
BREEZE II - AK1200x, AK1236x

PARTS SUPPLIED

- 1 - Hood
- 2 - Aluminum mesh filters
- 2 - Halogen light bulbs (GU-10, 35W) (pre-installed)
- 1 - 3-1/4" x 10" rectangular starting collar with damper (located inside hood body)
- 1 - Hardware package




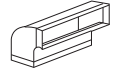
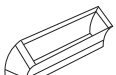

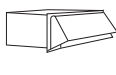
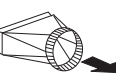



HARDWARE PACKAGE CONTENTS

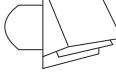


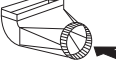








PARTS NOT SUPPLIED

- Ducting, conduit and all installation tools
- Cable connector (*if required by local codes*)
- Recirculating Kit (0AK11-21001)

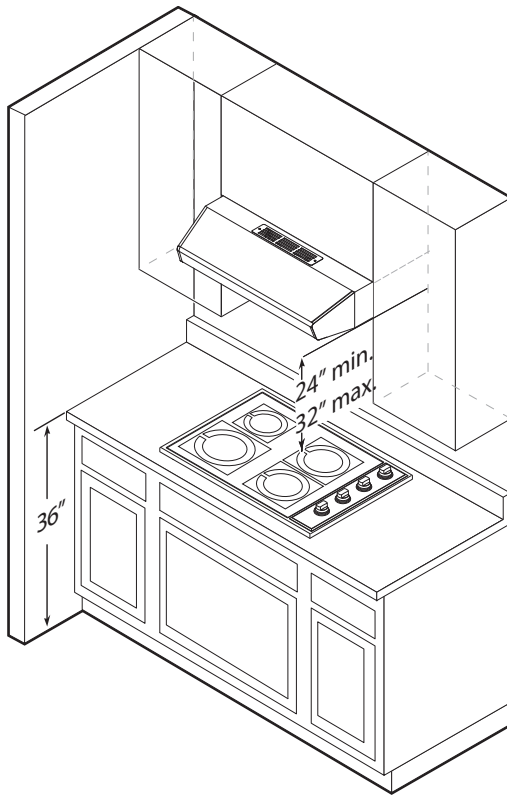
Installation – Ducting Calculation Sheet

Duct pieces		Equivalent number length x used =	Total
	3-1/4" x 10" Rect., straight	1 Ft. x () =	Ft.
	6" Round, straight	1 Ft. x () =	Ft.
	7"-10" Round, straight	1 Ft. x () =	Ft.
	3-1/4" x 10" Rect. 90° elbow	15 Ft. x () =	Ft.
	3-1/4" x 10" Rect. 45° elbow	9 Ft. x () =	Ft.
	3-1/4" x 10" Rect. 90° flat elbow	24 Ft. x () =	Ft.
	3-1/4" x 10" Rect. wall cap with damper	30 Ft. x () =	Ft.
	3-1/4" x 10" Rect. to 6" round transition	5 Ft. x () =	Ft.
	3-1/4" x 10" Rect. to 6" round transition 90° elbow	20 Ft. x () =	Ft.
	6" Round, 90° elbow	15 Ft. x () =	Ft.
	6" Round, 45° elbow	9 Ft. x () =	Ft.
Subtotal column 1 =			Ft.

Duct pieces		Equivalent number length x used =	Total
	6" Round wall cap with damper	30 Ft. x () =	Ft.
	6" Round, roof cap	30 Ft. x () =	Ft.
	6" round to 3-1/4" x 10" rect. transition	1 Ft. x () =	Ft.
	6" round to 3-1/4" x 10" rect. transition 90° elbow	16 Ft. x () =	Ft.
	7" - 10" Round, 90° elbow	15 Ft. x () =	Ft.
	7" - 10" Round, 45° elbow	9 Ft. x () =	Ft.
	7" - 10" Round wall cap with damper	30 Ft. x () =	Ft.
	7" - 10" Round, roof cap	30 Ft. x () =	Ft.
	7" round to 3 1/4" x 10" rect. transition	8 Ft. x () =	Ft.
	7" round to 3-1/4" x 10" rect. transition 90° elbow	23 Ft. x () =	Ft.
Subtotal column 2 =			Ft.
Subtotal column 1 =			Ft.
Total ductwork =			Ft.

Maximum Duct Length: For satisfactory air movement, the total duct length should not exceed 100 equivalent feet.

Installation – Mounting Height & Clearance



DUCTING

A minimum 3-1/4" x 10" rectangular duct must be used to maintain maximum air flow efficiency.

Always use rigid type metal ducts only. Flexible ducts could restrict air flow by up to 50%.

Also use calculation (on page 5) to compute total available duct run when using elbows, transitions and caps.

ALWAYS, when possible, reduce the number or transitions and turns. If long duct run is required, increase duct size.

If turns or transitions are required; install as far away from hood duct output and as far apart, between the two as possible.

Minimum mount height between range top to hood bottom should be no less than 24".

Maximum mount height should be no higher than 32".

It is important to install the hood at the proper mounting height. Hoods mounted too low could result in heat damage and fire hazard; while hoods mounted too high will be hard to reach and will lose its performance and efficiency.

If available, also refer range manufacturer's height clearance requirements and recommended hood mounting height above range.

Vertical Ducting:

3-1/4"x10" minimum

Horizontal Ducting:

3-1/4"x10" minimum

DAMAGE-SHIPMENT / INSTALLATION:

- Please fully inspect unit for damage before installation.
- If the unit is damaged in shipment, return the unit to the store in which it was bought for repair or replacement.
- If the unit is damaged by the customer, repair or replacement is the responsibility of the customer.
- If the unit is damaged by the installer (if other than the customer), repair or replacement must be made by arrangement between customer and installer.

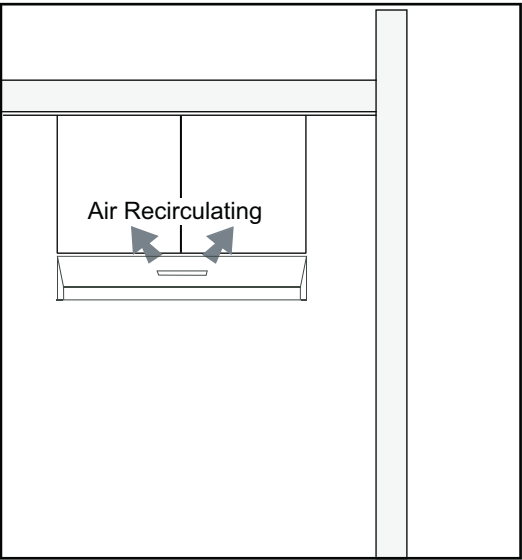
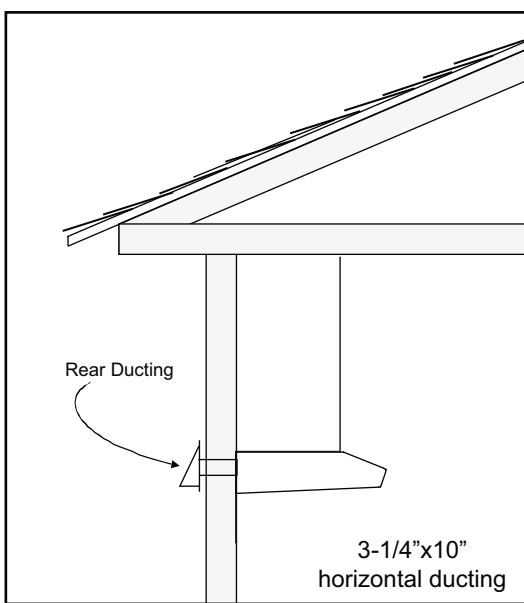
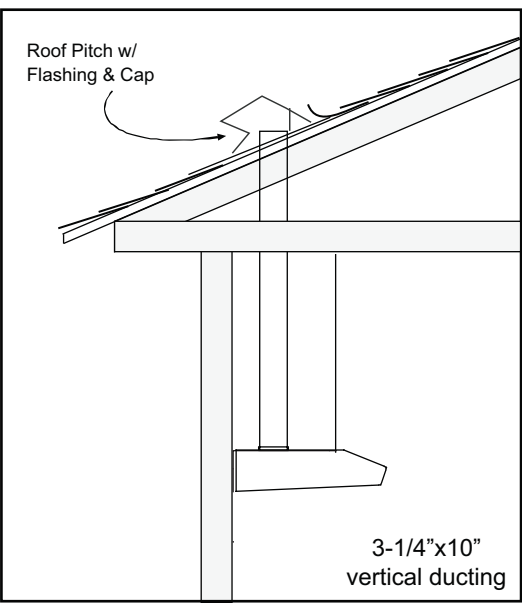
WARNING FIRE HAZARD

NEVER exhaust air or terminate duct work into spaces between walls, crawl spaces, ceiling, attics or garages. All exhaust must be ducted to the outside.

Use metal ductwork only.

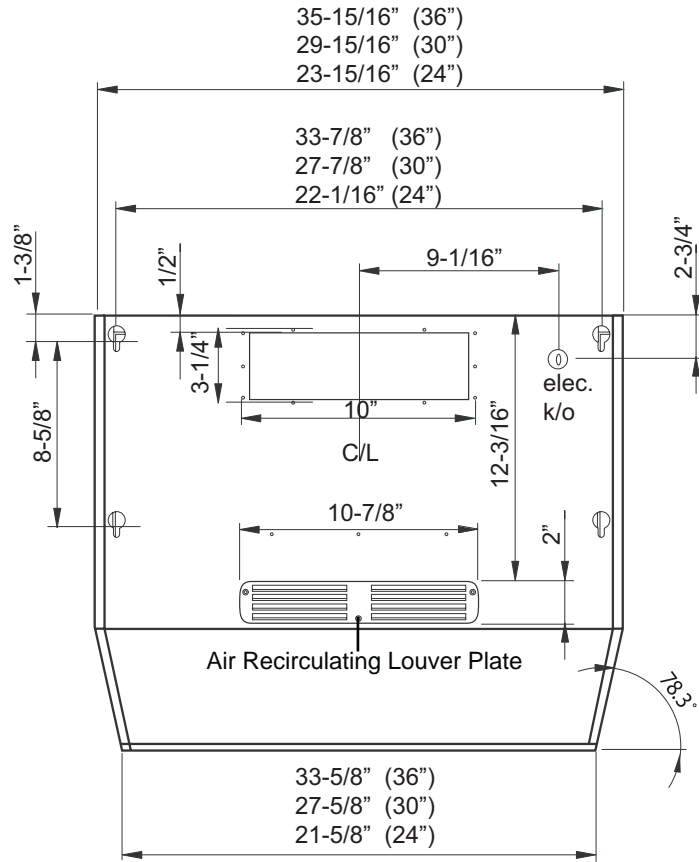
Fasten all connections with sheet metal screws and tape all joints with certified Silver Tape or Duct Tape.

Some Ducting Options

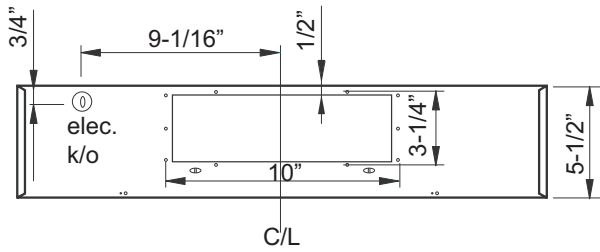


Installation – Specifications

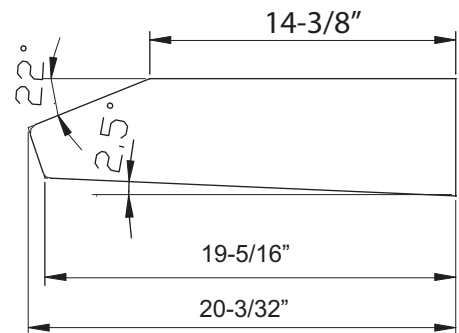
TOP



BACK



SIDE



**ELECTRICAL
WARNING**

All Electrical work must be performed by qualified electrician or person with similar technical know how and background.

For personal safety, remove house fuse or open circuit breaker before beginning installation. Do not use extension cord or adapter plug with this appliance.

Follow national electrical codes or prevailing local codes and ordinances.

Electrical Supply:

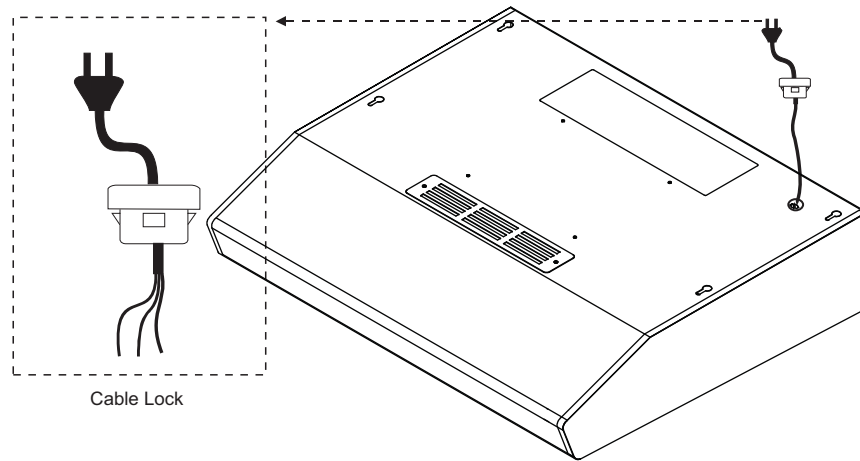
This appliance requires a 120V 60Hz electrical supply, and connected to an individual, properly grounded branch circuit, protected by a 15 or 20 ampere circuit breaker or time delay fuse. Wiring must be 2 wire w/ ground. Please also refer Electrical Diagram labeled on product.

AK11xxx - 152 Watts @ 1.3 Amps

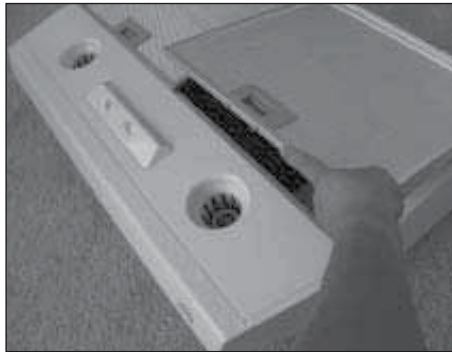
AK12xxx - 167 Watts @ 1.4 Amps

Cable Lock:

A cable locking connector (not supplied) might also be required by local codes. Check with local requirements and codes, purchase and install appropriate connector if necessary.



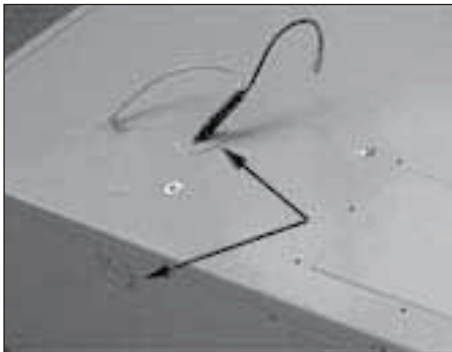
Installation – Preparing Electrical and Ducting



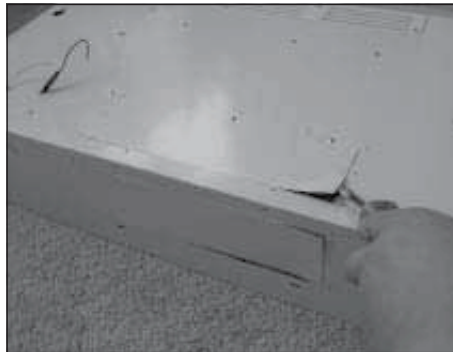
1. Remove filters



2. Remove cover from junction box to gain access to electrical wiring.



3. If using a cable lock, pry open the desired electrical knockout either on top or back of hood. Feed the wires through the cable lock. Some local codes require the use of a cable lock, check your local codes.



4. If using hood in air recirculating mode skip steps 4 and 5.

Pry open desired 3-1/4" x 10" ducting knock-out either on top or back of hood.



5. Secure 3-1/4" x 10" starting collar with damper to the duct opening using (10) M4x8 screws.

The following instructions are for Breeze hoods beginning with serial number prefix 13 and later.

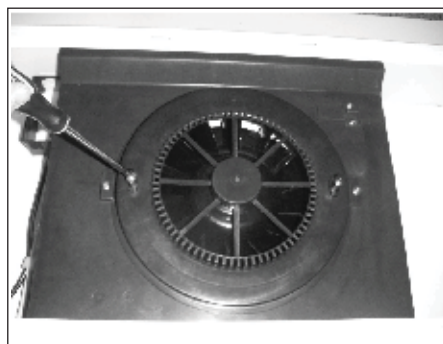
NOTE: Skip the recirculating preparation pages if you are ducting the air out of your home.



An air recirculating kit (optional) must be purchased before using hood in recirculating mode.

Recirculating kit - 0AK11-21001

Replacement filter - 0AK11-20001



1. Secure each of the (2) spring clips to the safety grille body (A). Do this by inserting the screw through the spring and into the clip. Secure each clip to the safety grille body by using a Philips head screwdriver.



2. Insert charcoal filter into charcoal filter holder (B) and place it over the safety grille body (A)



3. Secure charcoal filter holder to safety grill body by lifting up on spring clips and twisting. The clip should cover the lip of the charcoal filter holder securely.

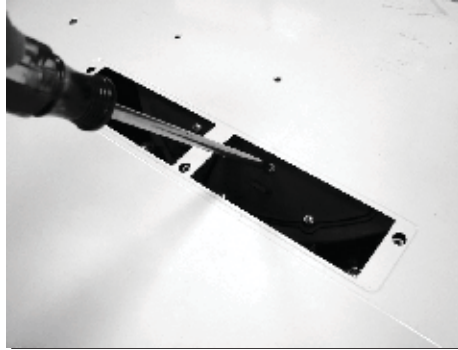


4. Remove each screw from recirculating top plate. Plate is located on top of hood towards the front.

Recirculating preparation continued on next page

Installation – Converting to Air Recirculating Mode

NOTE: Skip this page if you are ducting the air out of your home.



5. Remove each of the 5 screws holding the (2) interior recirculating panels.



6. Remove (2) interior recirculating panels.



7. Place louvered recirculating plate over top opening and secure using the screws previously removed.

Hood is designed for installation under a kitchen cabinet (Fig 1)

1. Select preferred duct location (vertical or horizontal) if ducting out of kitchen. Refer to page 7 for details.
2. Begin installation by removing the filters (if installed) and side spacer panels (36" models only). (Fig 2)
3. Reinforce cabinet with 1"x2" wood strips if additional strengthening is required or if cabinets are framed.
4. Temporarily position the range hood in the desired mounting location. Measure and mark the mounting holes, duct and electrical locations with a pencil.
5. Drill/cut out the required openings for duct and electrical access by following the dimensions on page 8; make sure the duct opening is large enough to apply duct tape.
6. Fasten hood onto cabinet with (4) M4 wood screws with washers provided.
7. Install electrical.
8. Install duct work and seal with duct tape.
9. Reinstall filters and side spacer panels (if applicable).
10. Power up hood and check for leaks around duct tape.
11. If recirculating the hood refer to page 11 and 12 for details.

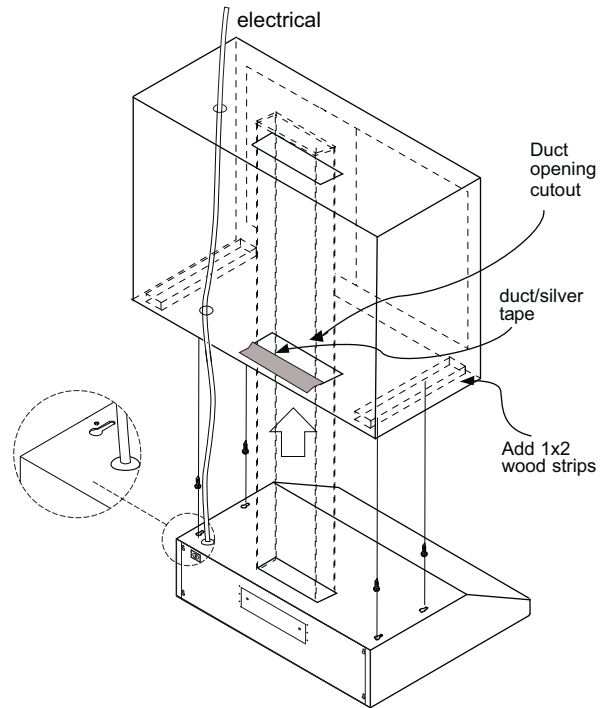


Fig 1
(Shown as vertical ducting)

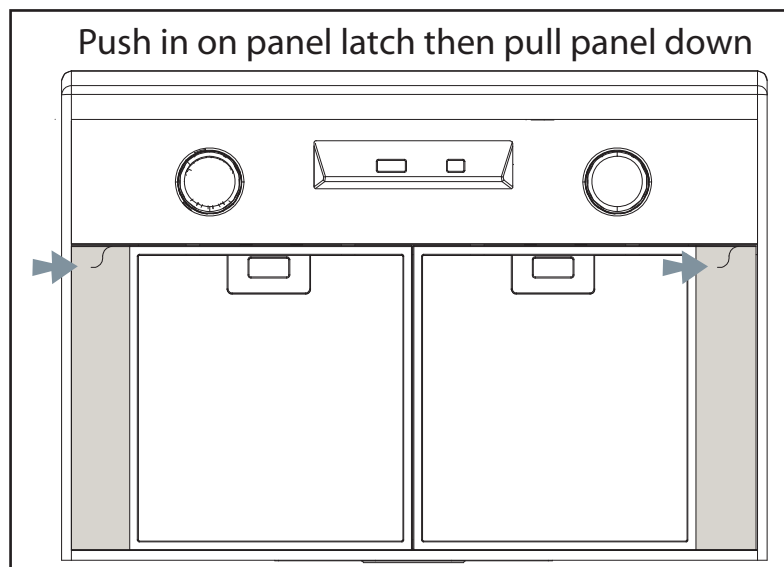
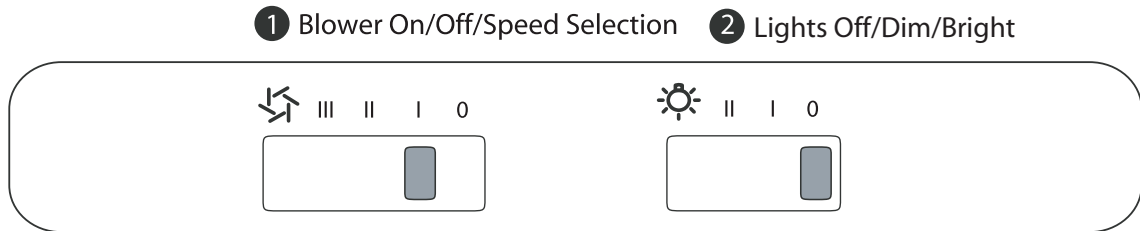


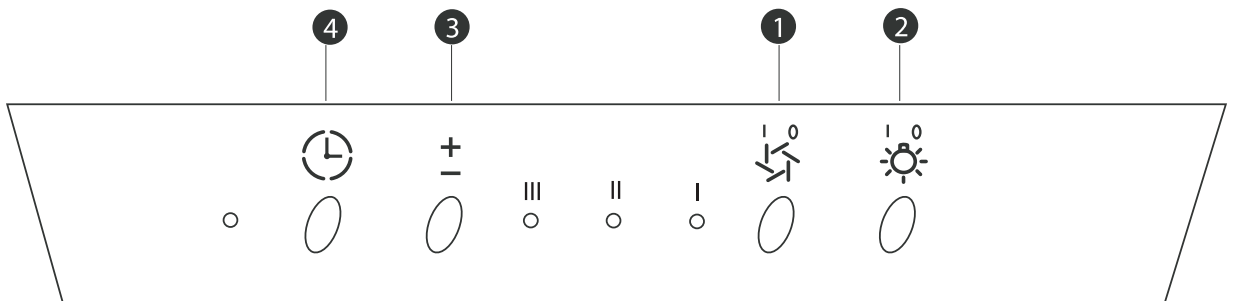
Fig 2

Breeze I, AK11xx



- 1 Blower On/Off/Speed Selection
This switch turns the blower on and off and controls the speed selection. 0 is off, I is low speed, II is medium speed and III is high speed.
- 2 Lights Off/Dim/Bright
0 is off, I is dim, II is bright.

Breeze II, AK12xx



- 1 On/Off
This button turns the motors on and off. It also shuts off power to the whole hood. If the lights are on and this button is pushed, they will also turn off.
- 2 Lamp
This button turns the lights on, off and also dims them. Press once to turn them on bright, again for dim and one more time to shut them off.
- 3 Speed
This button will change the speed setting of the motors. By pushing it you will change the speeds from high to medium to low.
- 4 Delay Off
This button will put the hood into delay off mode. When pushed, the hood will switch to the lowest speed and the entire hood will shut down all functions after 5 minutes.

SURFACE MAINTENANCE:

Clean periodically with hot soapy water and clean cotton cloth. Do not use corrosive or abrasive detergent, or steel wool/scouring pads which will scratch and damage surface. Do not use products containing chlorine bleach or orange cleaners.

For heavier soil use liquid degreaser.

After cleaning, you may use non-abrasive stainless steel polish/cleaners, to polish and buff out the stainless luster and grain. Always scrub lightly using a micro fiber or clean cotton cloth and with grain.

Aluminum Mesh Filters

The aluminum mesh filters are intended to trap residue and grease from cooking. Although the filters should never need replacing, they are required to be cleaned every 30 days or more often depending on cooking habits.

Filters may be placed in dishwasher at low heat or soaked in hot soapy water. Dry filters and re-install before using hood.

Removing Aluminum Mesh Filters (Fig 3)

1. Push in on filter handles.
2. Pivot front of filter downward.
3. Remove filter by pulling away from hood.

Replacing Aluminum Mesh Filters

Hood Model:	Part No.	Qty. to Order.
AK1124x	50200013	2
AK1100x/AK1136x	50200012	2
AK1200x/AK1236x	50200012	2

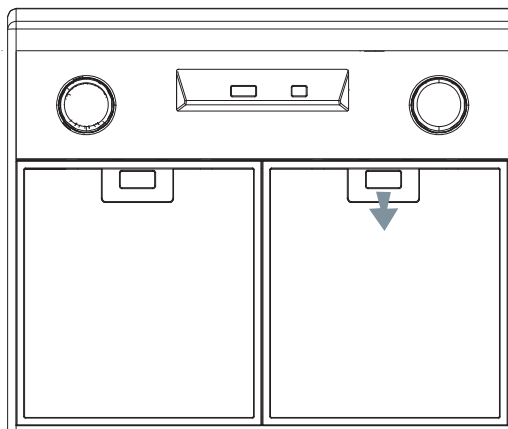


Fig 3

REPLACING LIGHT BULBS

CAUTION: Light bulb becomes extremely hot when turned on.

DO NOT touch bulb until switched off and cooled. Touching hot bulbs could cause serious burns.

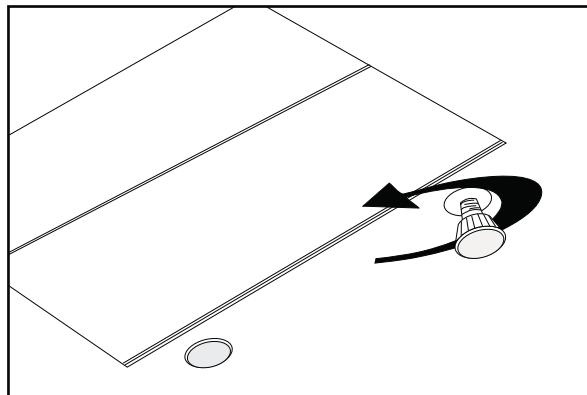
Make sure all power is turned off and bulbs are not hot.

Remove by turning bulb counter clockwise. **Note:** Bulb does not unscrew; it turns 60 degrees, stops and falls out.

If bulbs are difficult to turn due to prolonged use, firmly attach a glass suction cup approximately the diameter of the bulb or use a rubber/latex glove and turn counter clockwise.

Replacement bulbs are available at most hardware stores or from Zephyronline.com. Purchase type MR16 (GU-10) 35W halogen.

For Zephyr part numbers please turn to page 19 of the manual.




Bottom hood view

TROUBLESHOOTING PROCEDURES FOR BREEZE I AND BREEZE II

Issue	Cause	What to do
After installation, the unit doesn't work.	1. The power source is not turned ON.	1. Make sure the circuit breaker and the unit's power is ON.
	2. The power line and the cable locking connector is not connecting properly.	2. Check the power connection with the unit is connected properly.
	3. The switch or control board wirings are disconnected.	3. Make sure the wirings at the switch or control board are connected properly.
	4. The wires on control board or switch are loose.	4. Make sure the wires on the control board or switch are connected properly.
	5. The switch or control board is defective.	5. Change the switch or control board.
Light works, but blower is not turning.	1. The blower is defective, possible seized.	1. Change the blower.
	2. The thermally protected system detects if the blower is too hot to operate and shuts the blower down.	2. The blower will function properly after the thermally protected system cool down.
	3. Damaged capacitor.	3. Change the capacitor.
	4. The control board or blower switch is defective.	4. Change the control board or blower switch.
The unit is vibrating.	1. The blower is not secure in place.	1. Tighten the blower in place.
	2. Damaged blower wheel.	2. Change the blower wheel.
	3. The hood is not secured in place.	3. Check the installation of the hood.
The unit is whistling.	1. The filter is not in the correct position.	1. Adjust the filters until the whistling stops.
	2. The duct pipe connections are not sealed or connected properly.	2. Check the duct pipe connections to be sure all connections are sealed properly.
The blower is working, but the lights are not.	1. Defective bulb.	1. Change the bulb.
	2. The light bulb is loose.	2. Tighten the light bulb.
	3. The light bulb plug is disconnected.	3. Connect the light bulb plug.
The hood is not venting out properly.	1. The hood might be hanging to high from the cook top.	1. Adjust the distance between the cook top and the bottom of the hood within 24" and 32" range.
	2. The wind from the opened windows or opened doors in the surrounding area are affecting the ventilation of the hood.	2. Close all the windows and doors to eliminate the outside wind flow.
	3. Blockage in the duct opening or duct work.	3. Remove all the blocking from the duct work or duct opening.
	4. The direction of duct opening is against the wind.	4. Adjust the duct opening direction.
	5. Using the wrong size of ducting.	5. Change the ducting to correct size.
Mesh Filter is vibrating.	1. Mesh filter is loose.	1. Make sure the metal clips in the handle are not stuck. Or replace the mesh filter.
	2. Filter spring clip is broken.	2. Uninstall and reinstall filter, push up on filter latch. Replace mesh filter if needed.

Wiring Diagrams



C US
182766

Model AK1124,1100,1136

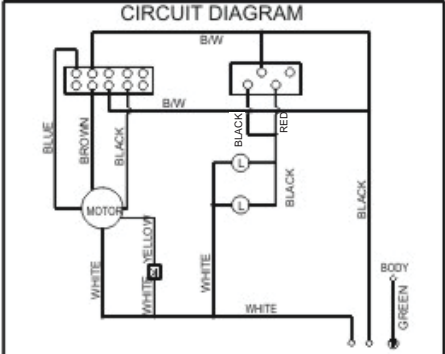
Voltage 120V 60Hz

Power consumption


Total:	152W
Lamp: Max.40Wx2	
Fan:	72W

DATE:
THERMALLY PROTECTED

CIRCUIT DIAGRAM



REMARKS:CONDENSER 3µ F 250VAC FIT AC120V 60Hz



C US
182766

Model: AK1224,1200,1236

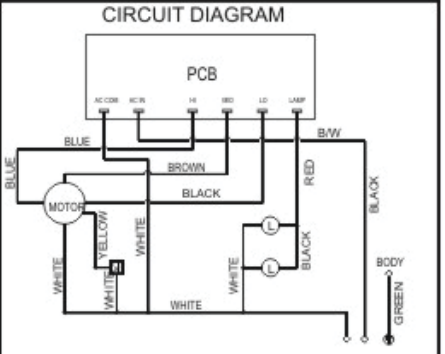
Voltage 120V 60Hz

Power consumption

Total:	167W
Lamp: Max.40Wx2	
Fan:	87W

DATE:
THERMALLY PROTECTED

CIRCUIT DIAGRAM



REMARKS:CONDENSER 4.5µF 250VAC FIT AC120V 60Hz

DESCRIPTION	PART #
--------------------	---------------

Replacement Parts	
--------------------------	--

Light Bulb, MR16 GU10, 35W (each)	Z0B0023
Metal Filter, 24" hoods (each)	50200013
Metal Filter, 30" and 36" hoods (each)	50200012

Optional Accessories	
-----------------------------	--

Recirculating Kit	0AK11-21001
Replacement Charcoal Filters (2pk)	0AK11-20001

To order parts, visit us online at <http://store.zephyronline.com> or call us at 1.888.880.8368

ZEPHYR

Limited Warranty

STAPLE YOUR RECEIPT HERE
Proof of the original purchase
date is needed to obtain
service under warranty

TO OBTAIN SERVICE UNDER WARRANTY OR FOR ANY SERVICE RELATED QUESTIONS, please call:
1-888-880-8368

Zephyr Corporation (referred to herein as “we” or “us”) warrants to the original consumer purchaser (referred to herein as “you” or “your”) of Zephyr products (the “Products”) that such Products will be free from defects in materials or workmanship as follows:

Three Year Limited Warranty for Parts: For three years from the date of your original purchase of the Products, we will provide, free of charge, Products or parts (including LED light bulbs, if applicable) to replace those that failed due to manufacturing defects. We may choose, in our sole discretion, to repair or replace parts before we elect to replace the Products.

One Year Limited Warranty for Labor: For one year from the date of your original purchase of the Products, we will provide, free of charge, the labor cost associated with repairing the Products or parts to replace those that failed due to manufacturing defects. After the first year from the date of your original purchase, you are responsible for all labor costs associated with this warranty.

Warranty Exclusions: This warranty covers only repair or replacement, at our option, of defective Products or parts and does not cover any other costs related to the Products including but not limited to: (a) normal maintenance and service required for the Products and consumable parts such as incandescent or halogen light bulbs, metal and carbon filters and fuses; (b) any Products or parts which have been subject to freight damage, misuse, negligence, accident, faulty installation or installation contrary to recommended installation instructions, improper maintenance or repair (other than by us); (c) commercial use of the Products or use otherwise inconsistent with its intended purpose; (d) natural wear of the finish of the Products or wear caused by improper maintenance, use of corrosive and abrasive cleaning products, pads, and oven cleaner products; (e) chips, dents or cracks caused by abuse or misuse of the Products; (f) service trips to your home to teach you how to use the Products; or (g) damage to the Products caused by accident, fire, floods or act of God. If you are outside our service area, additional charges may apply for shipping costs for warranty repair at our designated service locations and for the travel cost to have a service technician come to your home to repair, remove or reinstall the Products. After the first year from the date of your original purchase, you are also responsible for all labor costs associated with this warranty.

Limitations of Warranty. OUR OBLIGATION TO REPAIR OR REPLACE, AT OUR OPTION, SHALL BE YOUR SOLE AND EXCLUSIVE REMEDY UNDER THIS WARRANTY. WE SHALL NOT BE LIABLE FOR INCIDENTAL, CONSEQUENTIAL OR SPECIAL DAMAGES ARISING OUT OF OR IN CONNECTION WITH THE USE OR PERFORMANCE OF THE PRODUCTS. THE EXPRESS WARRANTIES IN THE PRECEDING SECTION ARE EXCLUSIVE AND IN LIEU OF ALL OTHER EXPRESS WARRANTIES. WE HEREBY DISCLAIM AND EXCLUDE ALL OTHER EXPRESS WARRANTIES FOR THE PRODUCTS, AND DISCLAIM AND EXCLUDE ALL WARRANTIES IMPLIED BY LAW, INCLUDING THOSE OF MERCHANTABILITY AND FITNESS FOR A PARTICULAR PURPOSE. Some states or provinces do not allow limitations on the duration of an implied warranty or the exclusion or limitation of incidental or consequential damages, so the above limitations or exclusions may not apply to you. To the extent that applicable law prohibits the exclusion of implied warranties, the duration of any applicable implied warranty is limited to the same two-year period described above. Any oral or written description of the Products is for the sole purpose of identifying the Products and shall not be construed as an express warranty. Prior to using, implementing or permitting use of the Products, you shall determine the suitability of the Products for the intended use, and you shall assume all risk and liability whatsoever in connection with such determination. We reserve the right to use functionally equivalent refurbished or reconditioned parts or Products as warranty replacements or as part of warranty service. This warranty is not transferable from the original purchaser and applies in the United States and Canada.

To Obtain Service Under Limited Warranty: To qualify for warranty service, you must: (a) notify us at the address or telephone number stated below within 60 days of the discovery of the defect; (b) give the model number and part identification number and serial number; and (c) describe the nature of any defect in the Product or part. At the time of the request for warranty service, you must present evidence of your proof of purchase and proof of the original purchase date. If we determine that the warranty exclusions listed above apply or if you fail to provide the necessary documentation to obtain service, you will be responsible for all shipping, travel, labor and other costs related to the services.

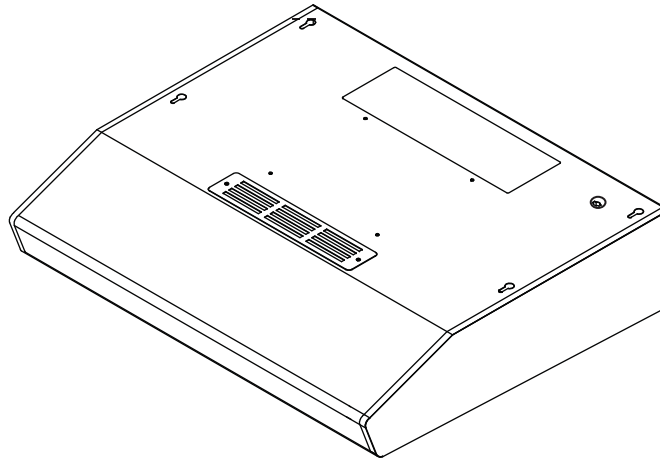
Please check our website for any revisions, www.zephyronline.com.

Breeze I

AK1124x, AK1100x, AK1136x

Breeze II

AK1200x, AK1236x



C US

Numéro de modèle : _____

Numéro de série : _____

Date d'achat : _____

Détaillant : _____

MISE EN GARDE DE SÉCURITÉ	2-3
LISTE DU MATÉRIEL	4
INSTALLATION	
Feuille de calcul pour le conduit.....	5
Espace libre et hauteur de montage.....	6
Options d'installation pour le conduit.....	7
Spécifications.....	8
Préparation de l'électricité.....	9
Préparation de l'électricité et du conduit.....	10
Conversion en mode de reprise d'air.....	11-12
Montage de la hotte.....	13
COMMANDES	
Survol des commandes.....	14
ENTRETIEN	
Nettoyage et changement des filtres.....	15
Lumières.....	16
DÉPANNAGE	17
SCHÉMA DE CABLAGE	18
LISTE DES PIÈCES ET DES ACCESSOIRES	19

AVERTISSEMENT

POUR RÉDUIRE LES RISQUES D'INCENDIE OU DE DÉCHARGE ÉLECTRIQUE, N'UTILISEZ PAS CET APPAREIL AVEC UN TABLEAU DE COMMANDE À SEMI-CONDUCTEURS.

AVERTISSEMENT

POUR RÉDUIRE LES RISQUES D'INCENDIE, DE DÉCHARGE ÉLECTRIQUE OU DE BLESSURE, RESPECTEZ CES CONSIGNES :

- N'utilisez cet appareil que de la manière prévue par le fabricant. Si vous avez des questions, communiquez avec le fabricant.
- Avant de procéder au nettoyage ou à l'entretien de l'appareil, éteignez l'alimentation du panneau électrique et bloquez le dispositif de déconnexion pour éviter que l'alimentation électrique ne soit accidentellement rallumée. Si le dispositif de sectionnement d'électricité ne peut être bloqué, attachez un avertissement (comme une étiquette) bien en vue sur le tableau électrique.

ATTENTION

Pour ventilation générale seulement. N'utilisez pas cet appareil pour évacuer des vapeurs et des matériaux explosifs ou dangereux. Prenez garde lors de l'utilisation d'agents nettoyants ou de détergents. Ne devrait être utilisé que dans la cuisine de votre maison.

AVERTISSEMENT

POUR RÉDUIRE LES RISQUES DE FEU DE GRAISSE SUR LA SURFACE DE CUISSON :

- Ne laissez jamais l'appareil sans surveillance lors de son utilisation à haute température. Les débordements par bouillonnement causent de la fumée et des déversements de graisse qui peuvent prendre feu. Faites chauffer l'huile à des températures basses ou moyennes.
- Allumez toujours la hotte lorsque vous cuisinez à haute température ou que vous faites flamber des aliments.
- Nettoyez fréquemment les ventilateurs de la hotte. La graisse ne devrait jamais s'accumuler dans les ventilateurs ou les filtres.
- Utilisez des poêlons aux dimensions adéquates. Utilisez toujours une batterie de cuisine correspondant aux dimensions de l'élément.
- Assurez-vous que le ventilateur, les filtres et les surfaces où la graisse pourrait s'accumuler sont toujours propres.
- Utilisez le réglage haut de la hotte seulement lorsque nécessaire.
- Ne laissez pas la hotte sans surveillance lorsque vous cuisinez.
- Utilisez toujours une batterie de cuisine et des ustensiles convenant au type et à la quantité de nourriture que vous préparez.

AVERTISSEMENT

POUR RÉDUIRE LES RISQUES DE BLESSURE LORS D'UN INCENDIE SUR LA SURFACE DE CUISSON :

- ÉTOUFFEZ LES FLAMMES avec un couvercle, une plaque à biscuits ou un plateau de métal et éteignez ensuite le brûleur. PRENEZ GARDE AUX RISQUES DE BRÛLURE. Si les flammes ne disparaissent pas, ÉVACUEZ LES LIEUX ET APPELEZ LE SERVICE D'INCENDIE.
- NE PRENEZ JAMAIS UN POÉLON EN FEU – Vous pourriez vous brûler.
- N'UTILISEZ PAS D'EAU, ou un linge à vaisselle mouillé – une violente explosion de vapeur s'ensuivra.
- Utilisez un extincteur SEULEMENT si :
 - Vous savez que vous possédez un extincteur de classe ABC et vous savez vous en servir.
 - Le feu est faible et ne s'est pas répandu depuis son point d'origine.
 - Vous avez appelé le service d'incendie.
 - Vous pouvez sortir facilement de l'endroit où vous combattez le feu.

AVERTISSEMENT

POUR RÉDUIRE LES RISQUES D'INCENDIE, DE DÉCHARGE ÉLECTRIQUE OU DE BLESSURE, SUIVEZ LES CONSIGNES SUIVANTES :

- Les travaux d'installation et de câblage électrique doivent être faits par une personne qualifiée selon les stipulations de tous les normes et standards en vigueur, dont les normes des constructions ayant une cote de résistance au feu.
- Pour prévenir les contre-explosions, une certaine quantité d'air est nécessaire pour la combustion et l'évacuation des gaz par le carneau (cheminée) de l'appareil de combustion. Respectez les directives du fabricant d'outillage de chauffage et les normes de sécurité comme celles publiées par la NFPA (Association nationale des services d'incendie), par la Société américaine des ingénieurs en chauffage, réfrigération et climatisation (ASHRAE) et par les normes des autorités locales.
- Lorsque vous coupez ou percez un mur ou un plafond, assurez-vous de ne pas endommager le câblage électrique ou toute autre installation technique dissimulée.
- Les ventilateurs canalisés doivent toujours évacuer l'air à l'extérieur.
- Si cet appareil doit être installé près d'un bain ou d'une douche, il doit être indiqué qu'il convient à ce type d'application en plus d'être branché à un circuit terminal protégé par un disjoncteur de fuite à la terre.
- N'installez JAMAIS un interrupteur à une distance atteignable depuis un bain ou une douche.
- Assurez-vous que l'alimentation électrique est éteinte avant de procéder à l'installation, au câblage ou à l'entretien de l'appareil.

ATTENTION

POUR RÉDUIRE LES RISQUES D'INCENDIE, N'UTILISEZ QUE DES CONDUITS D'AÉRATION EN MÉTAL.

ATTENTION

Pour réduire les risques d'incendie et pour évacuer l'air convenablement, assurez-vous de canaliser l'air à l'extérieur de la maison. N'installez pas l'échappement du conduit dans les espaces entre les murs, le plafond, le grenier, les vides sanitaires ou le garage.

Pour utilisation à l'intérieur seulement

Ne pas utiliser sur d'équipement de cuisson qui est supérieure à 60 000 BTU/h.

Cette hotte n'est pas destinée à être utilisée comme une étagère.

FONCTIONNEMENT

Laissez toujours les grilles de sûreté et les filtres en place. Sans ces éléments, les ventilateurs en marche pourraient accrocher des cheveux, des doigts ou des vêtements amples.

Le fabricant se dégage de toute responsabilité dans les cas de non-respect des instructions transmises dans le présent manuel pour l'installation, l'entretien et l'utilisation adéquate du produit. Le fabricant se dégage également de toute responsabilité pour des blessures qui résulteraient de la négligence lors de l'utilisation. De plus, la garantie prend fin automatiquement lors de l'entretien inapproprié de l'appareil.

***NOTE : Veuillez communiquer avec nous ou visitez le www.zephyronline.com pour obtenir des révisions avant de procéder à des travaux sur commande.**

EXIGENCES ÉLECTRIQUES

Important :

Respectez tous les codes et règlements en vigueur.

Il est de la responsabilité du client de :

- Communiquer avec un installateur-électricien qualifié.
- S'assurer que l'installation électrique est adéquate et qu'elle respecte le Code national de l'électricité, la plus récente édition* du ANSI/NFPA 70 ou des normes du CSA C22.1-94, le Code canadien de l'électricité, section 1, la plus récente édition** du code C22.2 No.0-M91 ainsi que tous les codes et règlements en vigueur.

Si les codes permettent l'utilisation d'un fil de garde isolé et que vous en utilisez un, il est recommandé qu'un électricien qualifié détermine si le cheminement du fil est adéquat.

N'effectuez pas la mise à la terre à un tuyau de gaz.

Demandez à un électricien qualifié si vous n'êtes pas certain que la hotte a été mise à la terre adéquatement.

N'introduisez aucun fusible dans le circuit neutre ou de mise à la terre.

*National Fire Protection Association Batterymarch Park, Quincy, Massachusetts 02269

** CSA International 8501 East Pleasant Valley Road, Cleveland, Ohio 44131-5575

Cet appareil requiert une alimentation électrique de 120V 60Hz. Il doit être connecté à un circuit terminal individuel dûment mis à la terre, protégé par un disjoncteur de circuit ou un fusible temporisé de 15 ou 20 ampères. Le câblage doit compter 2 fils avec mise à la terre. Veuillez vous référer au Diagramme électrique étiqueté sur l'appareil.

Un raccord de câble (non inclus) pourrait également être exigé par les normes et réglementations locales. Informez-vous des exigences et des normes locales. Achetez et installez le connecteur approprié si nécessaire.

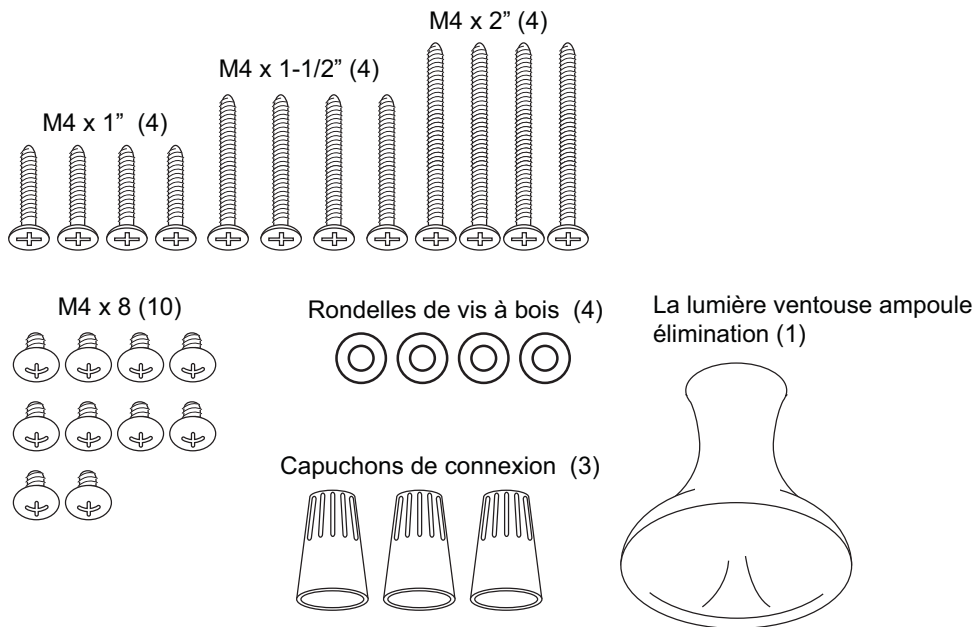
Liste du matériel

MODÈLES: BREEZE I ET BREEZE II

PIÈCES FOURNIES

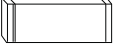


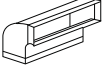
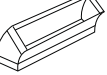
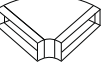


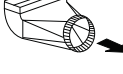

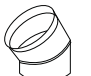
- 1 – Hotte
- 2 – Filtres de maille métalliques
- 2 – Ampoules halogènes (GU10 35W)
- 1 – Collier de fixation principal rectangulaire de 3¼" x 10" avec registre
- 1 – Trousse de quincaillerie

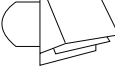

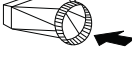

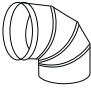

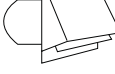


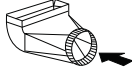
CONTENU DE LA TROUSSE DE QUINCAILLERIE



PIÈCES NON FOURNIES

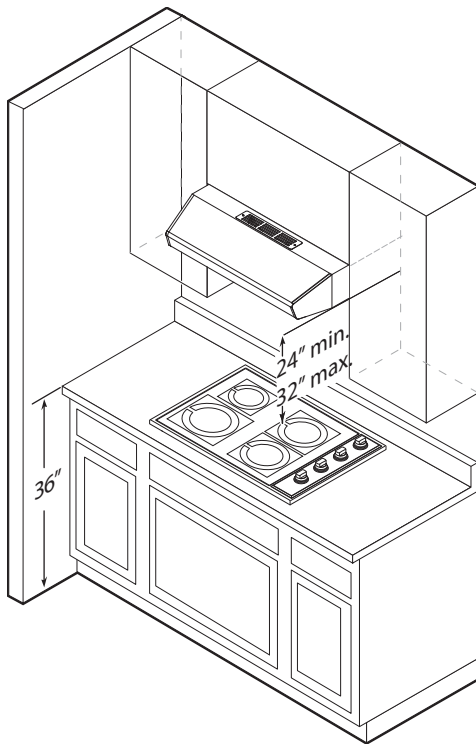
- Conduit et tous les outils d'installation
- Raccord de câble (si exigé par les codes en vigueur)
- Ensemble de reprise d'air

Pièces de conduit		Longueur x Nombre utilisé	Total
	3-1/4" x 10" rect., droit	1 pi x () =	pi
	6" circ., droit	1 pi x () =	pi
	7" circ., droit	1 pi x () =	pi
	3-1/4" x 10" rect., coude à 90°	15 pi x () =	pi
	3-1/4" x 10" rect., coude à 45°	9 pi x () =	pi
	3-1/4" x 10" rect., coude plat à 90°	24 pi x () =	pi
	3-1/4" x 10" embout mural rect./registre	30 pi x () =	pi
	3-1/4" x 10" rect. à circ. de 6"	5 pi x () =	pi
	3-1/4" x 10" coude à 90° rect. à circ. de 6"	20 pi x () =	pi
	6" circ., coude à 90°	15 pi x () =	pi
	6" circ., coude à 45°	9 pi x () =	pi
Sous-total - colonne 1 =			pi

Pièces de conduit		Longueur x Nombre utilisé	Total
	6" embout mural circ./registre	30 pi x () =	pi
	6" chapeau de toiture circ.	30 pi x () =	pi
	6" circ. à rect. de 3-1/4" x 10"	1 pi x () =	pi
	6" circ. à rect. de 3-1/4" x 10", coude à 90°	16 pi x () =	pi
	7" or 10" circ., coude à 90°	15 pi x () =	pi
	7" or 10" circ., coude à 45°	9 pi x () =	pi
	7" or 10" embout mural circ./registre	30 pi x () =	pi
	7" or 10" circ., chapeau de toiture	30 pi x () =	pi
	7" circ. à rect. de 3-1/4" x 10"	8 pi x () =	pi
	7" circ. à rect. de 3-1/4" x 10", coude à 90°	23 pi x () =	pi
Sous-total - colonne 2 =			pi
Sous-total - colonne 1 =			pi
Total du conduit =			pi

Longueur maximale du conduit d'aération :

Pour une circulation d'air convenable, la longueur totale d'un conduit ne devrait pas compter plus que l'équivalent de 100 pieds.



La hauteur de montage minimale entre la hotte et la cuisinière ne devrait pas être moins de 24".

La hauteur de montage maximale ne devrait pas excéder 32".

Il est important d'installer la hotte à la hauteur de montage adéquate. Si elle est trop basse, elle pourrait être endommagée par la chaleur en plus de présenter des risques d'incendie plus élevés alors que si elle est trop haute, elle sera difficile à atteindre et son efficacité et ses performances seront réduites.

Si possible, référez-vous aux exigences du fabricant de la cuisinière en matière de hauteur d'espace libre et de hauteur de montage au-dessus de la surface de cuisson.

Conduit vertical :

3¼" x 10" minimum

Conduit horizontal :

3¼" x 10" minimum

CONDUIT D'AÉRATION

Un conduit rectangulaire d'un minimum de 3¼" x 10" doit être utilisé pour maintenir une circulation d'air optimale.

N'utilisez que des conduits en métal rigide. Les conduits souples pourraient réduire la circulation d'air jusqu'à 50%.

Utilisez également la feuille de calcul (page 5) pour calculer la longueur totale du conduit d'aération lors de l'utilisation de coudes, de pièces de transition et de registres.

Lorsqu'il est possible de le faire, diminuez TOUJOURS le nombre de pièces et de changements de direction. Si un long tronçon de conduit est nécessaire, augmentez le diamètre du conduit.

Si des changements de direction ou des adaptateurs sont nécessaires, installez-les le plus loin possible de l'ouverture et le plus éloigné possible l'un de l'autre.

ENDOMMAGEMENT LORS DE LA LIVRAISON/ INSTALLATION :

- Veuillez vous assurer que toutes les pièces de l'appareil ne sont pas endommagées avant l'installation.
- Si l'appareil est endommagé durant la livraison, retournez l'appareil à l'endroit où vous l'avez acheté pour réparation ou remplacement.
- Si l'appareil est endommagé par le client, la réparation ou le remplacement est à la charge du client.
- Si l'appareil est endommagé par l'installateur (si autre que le client), le client et l'installateur doivent en venir à une entente pour la réparation ou le remplacement.

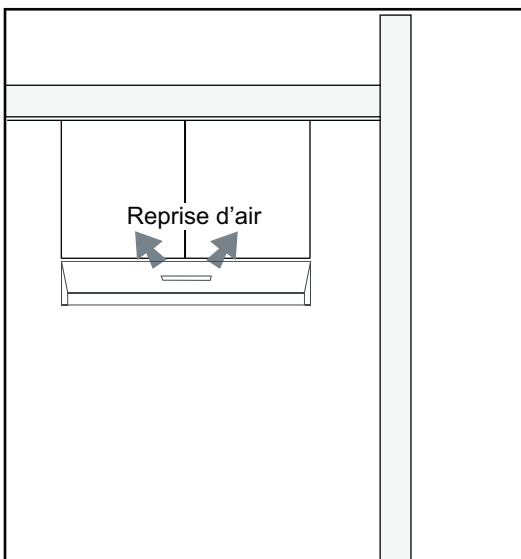
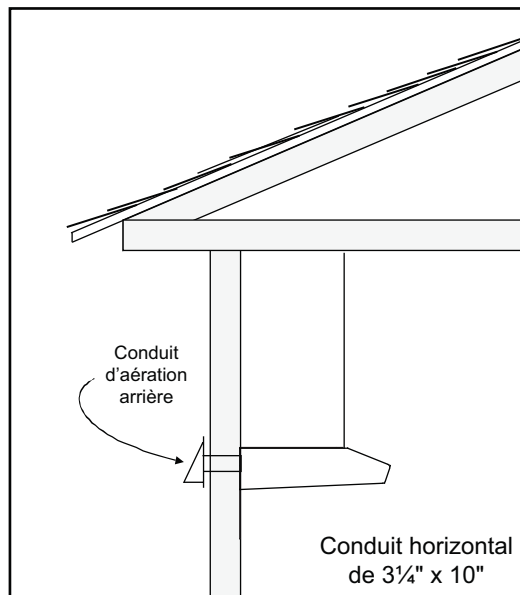
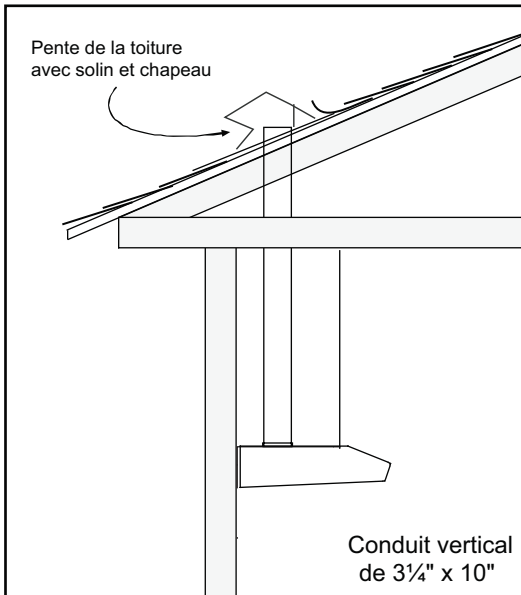
AVERTISSEMENT DE RISQUE D'INCENDIE

N'évacuez ou ne terminez JAMAIS l'échappement du conduit dans les espaces entre les murs, les vides sanitaires, le plafond, le grenier, ou le garage. Tous les échappements doivent être dirigés à l'extérieur de la maison, à moins que l'option de reprise d'air ne soit utilisée.

N'utilisez que des conduits en métal pour cloison simple.

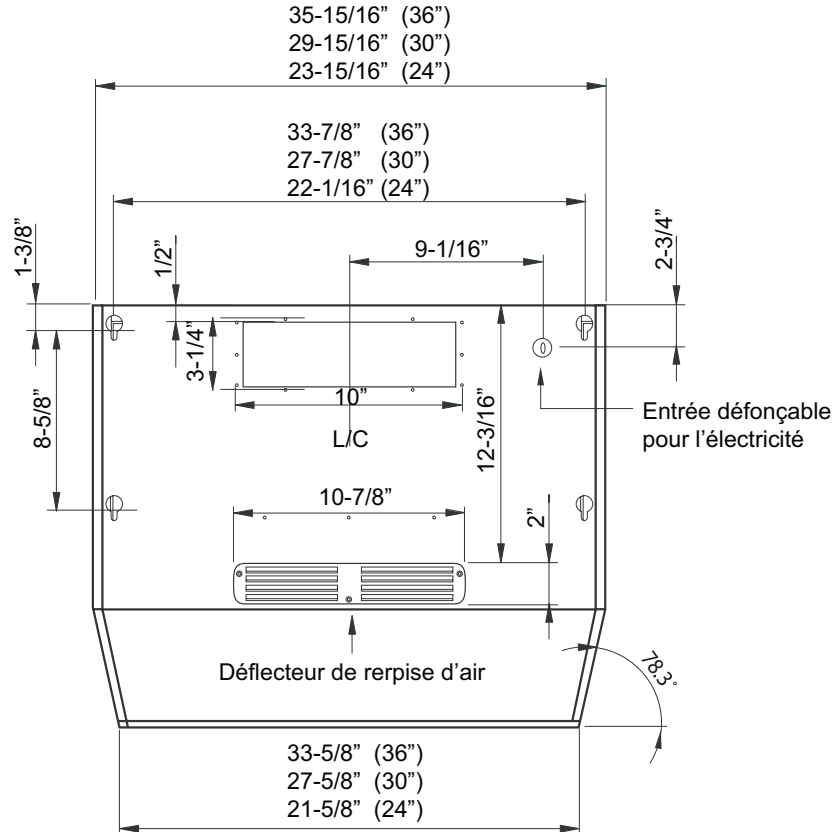
Fixez toutes les pièces du conduit avec des vis à tôle et isolez tous les joints avec du ruban adhésif en toile ou de ruban réflecteur certifié.

Quelques options pour le conduit d'aération

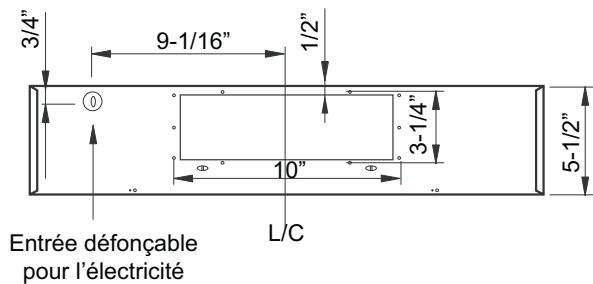


Installation – Specifications

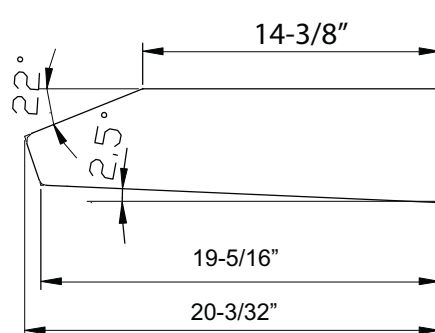
DESSUS



ARRIÈRE



CÔTÉ



ÉLECTRICITÉ

AVERTISSEMENT

Tous les travaux électriques doivent être réalisés par un électricien qualifié ou par une personne possédant l'expérience technique et le savoir-faire nécessaire.

Pour votre sécurité, enlevez le fusible ou ouvrez le disjoncteur de circuit avant de commencer l'installation. N'utilisez pas de cordon prolongateur ou de fiche d'adaptation avec cet appareil.

Suivez les codes et réglementations nationaux ou locaux en vigueur.

Alimentation électrique :

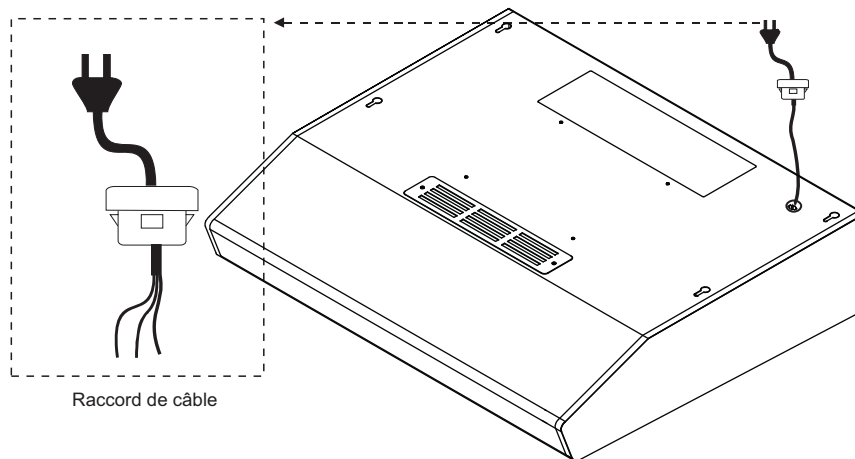
Cet appareil requiert une alimentation électrique de 120V 60Hz. Il doit être connecté à un circuit terminal individuel dûment mis à la terre, protégé par un disjoncteur de circuit ou un fusible temporisé de 15 ou 20 ampères. Le câblage doit compter 2 fils avec mise à la terre. Veuillez vous référer au Diagramme électrique étiqueté sur l'appareil.

AK11xxx – 152 Watts / 1,3 ampère

AK12xxx – 167 Watts / 1,4 ampère

Raccord de câble :

Un raccord de câble (non inclus) pourrait également être exigé par les normes et les réglementations locales. Informez-vous des exigences et des normes locales. Achetez et installez le connecteur approprié si nécessaire.



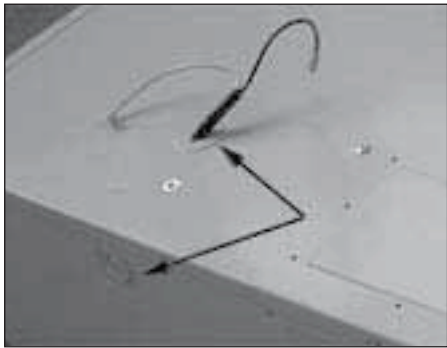
Installation – Préparation de l'électricité et du conduit



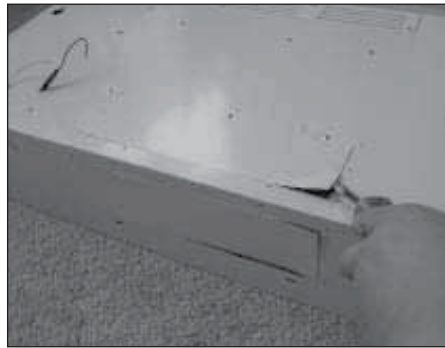
1. Retirez les filtres.



2. Retirez le couvercle de la boîte de jonction pour avoir accès au câblage électrique.



3. Si vous utilisez un raccord de câble, ouvrez soit l'une des entrées défonçables pour l'électricité (sur le dessus ou à l'arrière de la hotte). Faites passer les fils électriques par le raccord de câble. Note : Certaines normes et réglementations locales exigent l'utilisation d'un raccord de câble; assurez-vous de respecter les normes en vigueur.



4. Si vous utilisez la hotte en mode de reprise d'air, sautez les étapes 4 et 5.

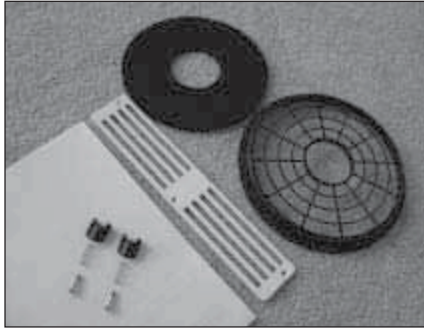
Ouvrez l'entrée défonçable pour le conduit de 3¼" x 10" (sur le dessus ou à l'arrière de la hotte), selon la configuration désirée.



5. Fixez le collier de fixation principal de 3¼" x 10" avec registre sur l'ouverture du conduit d'aération à l'aide des 10 vis M4x8.

Les instructions qui suivent servent pour les hottes Breeze dont le numéro de série commence par 13 ou par un nombre plus élevé.

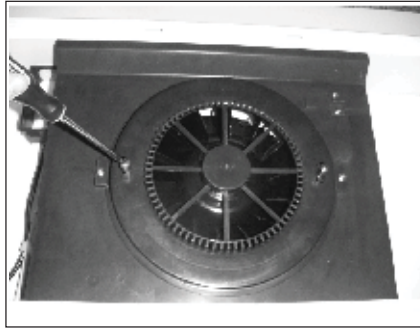
NOTE : Sauter les pages de conversion en mode de reprise d'air si vous évacuez l'air à l'extérieur de votre maison.



Vous devez vous procurer un ensemble de reprise d'air (non inclus) avant d'utiliser la hotte en mode de reprise d'air.

Ensemble de reprise d'air – 0AK11-21001

Filtre de rechange – 0AK11-20001



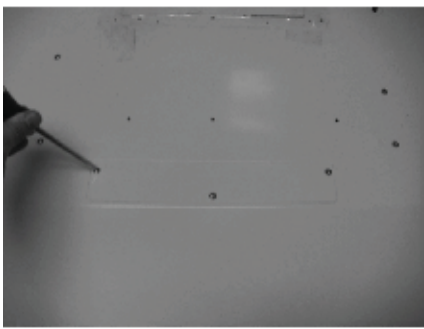
1. Fixez les deux attaches à ressort au boîtier de la grille de protection (A). Pour y parvenir, faites passer la vis à travers le ressort puis fixez-la à l'attache. Fixez solidement l'attache au boîtier de la grille de protection à l'aide d'un tournevis à pointe cruciforme (Phillips).



2. Installez le filtre à charbon dans le support de filtre à charbon (B) et placez-le sur le boîtier de la grille de protection (A).



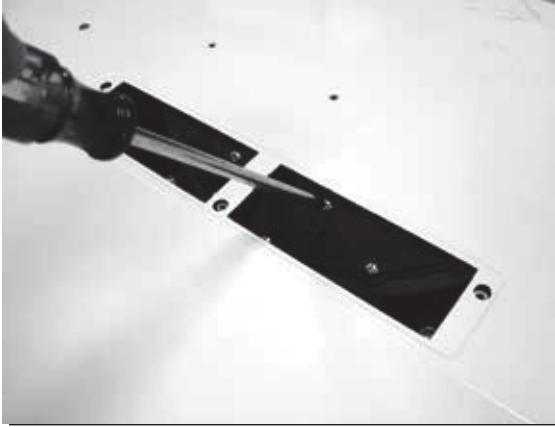
3. Fixez bien le support de filtre à charbon au boîtier de la grille de protection en le déposant sur les attaches à ressort puis en tournant. L'attache devrait bien couvrir la bordure du support de filtre à charbon.



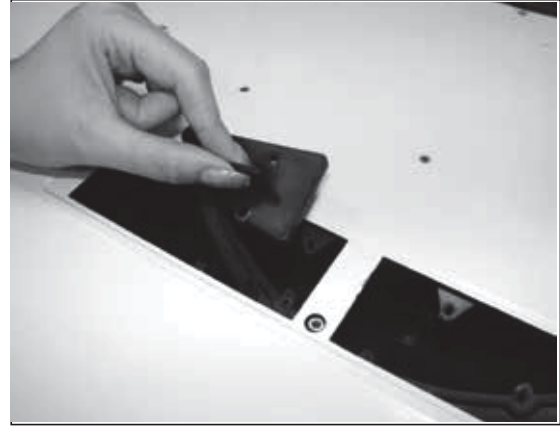
4. Retirez les vis de la plaque supérieure de reprise d'air. La plaque se trouve sur le dessus de la hotte, près de la partie avant.

Les instructions pour la conversion en mode de reprise d'air continuent à la page suivante.

NOTE : Sauter cette page si l'air évacué par la hotte est dirigé à l'extérieur de votre maison.



5. Enlevez les cinq vis qui retiennent les deux panneaux de reprise d'air intérieurs.



6. Enlevez les deux panneaux de reprise d'air intérieurs.



7. Placez les deux déflecteurs de reprise d'air sur l'ouverture supérieure et fixez-les en place à l'aide des vis préalablement enlevées.

Pour installer la hotte sous une armoire de cuisine (fig 1.)

1. Choisissez le type d'installation pour le conduit (vertical ou horizontal)
2. Commencez l'installation en enlevant les filtres (s'ils sont déjà en place) et les panneaux latéraux d'écartement (36" modèles uniquement). (Fig 2)
3. Renforcez la base de l'armoire avec des lattes de bois de 1" X 2" si un renforcement supplémentaire est nécessaire ou si les armoires sont en bois.
4. Placez temporairement la hotte au lieu de montage désiré. Mesurez et marquez l'emplacement du conduit, de l'électricité et des trous de montage avec un crayon.
5. Percez/découpez les ouvertures requises pour le conduit et le câblage électrique en respectant les dimensions citées à la page 8. Assurez-vous que l'ouverture pour le conduit est assez large pour que vous puissiez appliquer du ruban adhésif en toile.
6. Fixez la hotte au cabinet à l'aide des quatre (4) vis à bois M4 fournies.
7. Faites l'installation de l'électricité.
8. Installez le conduit et le ruban.
9. Réinstallez les filtres.
10. Mettez la hotte en marche et assurez-vous de l'étanchéité autour du ruban.

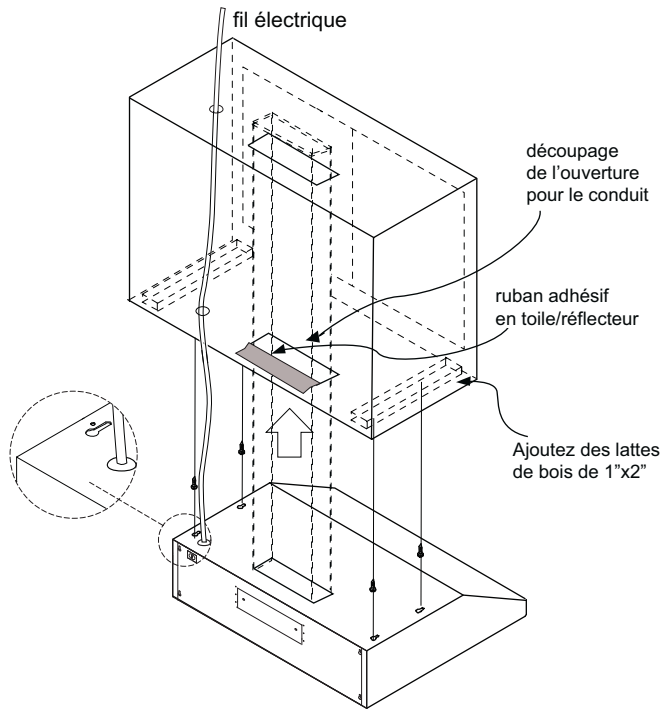
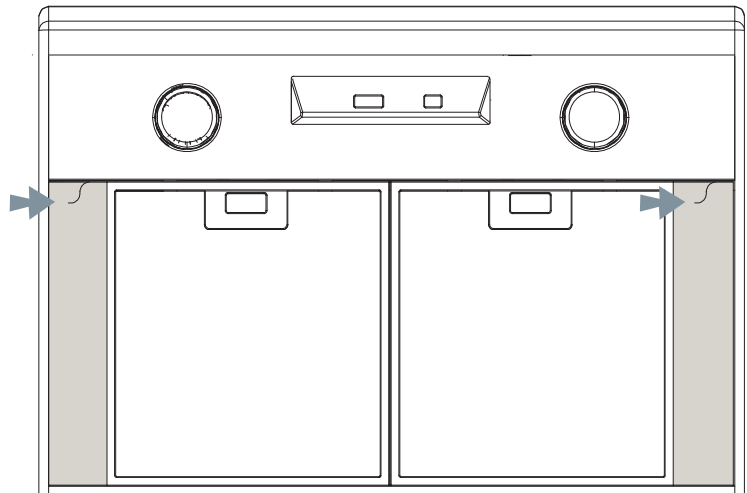
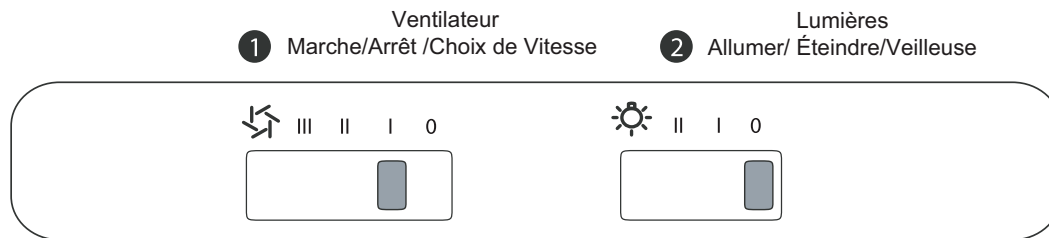


FIG 1
(avec conduit vertical)

Poussez le loquet sur le panneau, puis tirez vers le bas du panneau



Breeze I, AK11xx



1 Ventilateur - Marche / Arrêt / Choix de Vitesse

Cet interrupteur permet d'allumer, d'éteindre et de sélectionner la vitesse des ventilateurs.

À 0 l'appareil est éteint; I équivaut à la vitesse lente, II à la vitesse moyenne et III à la vitesse maximale.

2 Lumières - Allumer / Éteindre / Veilleuse

0 est éteint, I est faible et II est lumineux

Breeze II, AK12xx



1 Marche/Arrêt

Ce bouton permet de mettre l'appareil en marche et de l'éteindre.

Il éteint également toute l'alimentation électrique de la hotte.

Si les lumières sont allumées et que le bouton est poussé, elles s'éteindront également.

2 Lumières

Ce bouton permet d'allumer, d'éteindre et de changer l'intensité des lumières.

Appuyez une fois pour les allumer à forte intensité, une autre fois pour les mettre en veilleuse et une troisième fois pour les éteindre.

3 Vitesse

Ce bouton change la vitesse des ventilateurs. La vitesse changera de lente à moyenne à rapide selon le nombre de fois que vous appuyez.

4 Arrêt à retardement

Ce bouton mettra la hotte en mode d'arrêt à retardement.

Lors de l'utilisation de ce mode, la hotte ralentira automatiquement la vitesse des ventilateurs et elle éteindra toutes les fonctions après 5 minutes.

ENTRETIEN DES SURFACES :

Nettoyez régulièrement les surfaces de la hotte avec de l'eau savonneuse chaude et un chiffon de coton propre. N'utilisez pas de détergent abrasif ou corrosif, de laines d'acier ou de tampons à récurer; ils égratigneront et endommageront les surfaces. . N'utilisez pas de produits à blanchir au chlore ou d'agents nettoyeurs « oranges ».

Pour les taches plus tenaces, utilisez du produit dégraissant liquide.

Après le nettoyage, vous pouvez polir les surfaces avec des produits de polissage à acier inoxydable non abrasifs pour redonner de l'éclat et du lustre aux surfaces. Frottez toujours doucement et dans le sens du grain avec de la microfibre ou un chiffon de coton propre.

Factres de maille métalliques

Les filtres de maille métalliques ont pour fonction de filtrer les résidus et la graisse résultant de la cuisson. Bien que les filtres ne doivent jamais être remplacés, ils doivent être nettoyés tous les 30 jours ou plus souvent, selon vos habitudes culinaires.

Les filtres peuvent être nettoyés au lave-vaisselle ou être trempé dans de l'eau chaude savonneuse. Séchez les filtres et réinstallez-les avant d'utiliser la hotte.

Désinstallation des filtres de maille métalliques, FIG 3 :

1. Poussez sur les poignées des filtres.
2. Faites pivoter le devant du filtre vers le bas.
3. Enlevez le filtre en le tirant vers vous.

Remplacement des des filtres de maille métalliques :

Modèle de hotte	N° de pièce	Qtée à commander
AK1124x	50200013	2
AK1100x/AK1136x	50200012	2
AK1200x/AK1236x	50200012	2

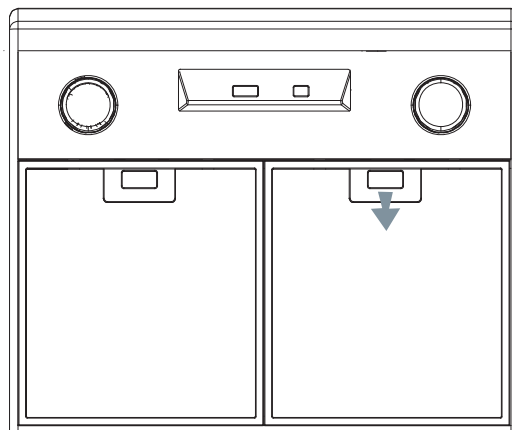


FIG 3

REPLACEMENT DES AMPOULES

ATTENTION : Les ampoules deviennent extrêmement chaudes lorsqu'allumées.

Veillez NE PAS les toucher avant de les avoir éteintes et laissées refroidir. Le contact avec les ampoules chaudes pourrait causer de sérieuses brûlures.

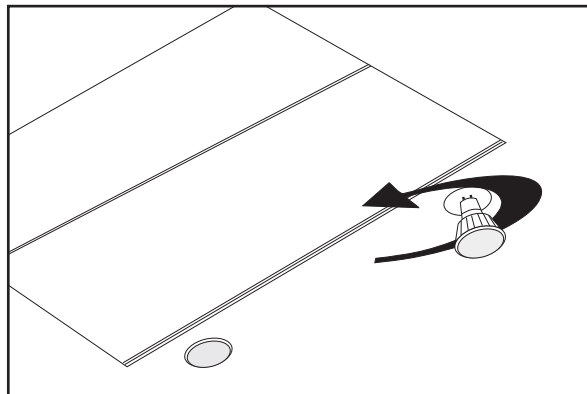
Assurez-vous que l'alimentation électrique est coupée et que les ampoules ne sont pas chaudes.

Enlevez les ampoules en les faisant dévisser dans le sens contraire des aiguilles d'un montre. Note : les ampoules ne se dévissent pas; après une rotation de 60 degrés, elles s'arrêtent et tombent de la douille.

Lorsqu'il est difficile de retirer les ampoules après un usage prolongé, fixez une ventouse équivalant approximativement au diamètre de l'ampoule ou utilisez des gants en latex et tournez.

Les ampoules de remplacement sont disponibles dans les magasins spécialisés en éclairage. Procurez-vous des ampoules halogènes de 35W de type MR16 (GU-10) .

Consultez la page 19 du présent guide pour obtenir les numéros de pièces Zephyr.



Vue du dessous
de la hotte

DÉPANNAGE POUR LES HOTTES BREEZE I ET BREEZE II

Problème	Cause	Solution
Après l'installation, l'appareil ne fonctionne pas.	1. Le bloc d'alimentation n'est pas allumé	1. Assurez-vous que le disjoncteur et que l'alimentation de l'appareil sont allumés.
	2. La ligne électrique et le raccord de câble ne sont pas correctement branchés.	2. Vérifiez que le branchement de l'appareil a été fait correctement.
	3. Les fils électriques du tableau de contrôle et de commande sont débranchés.	3. Assurez-vous que les fils électriques sont branchés convenablement.
	4. Les fils électriques du tableau de commande ne sont pas assez serrés.	4. Assurez-vous que les fils sont convenablement branchés au tableau de commande
	5. Tableau de contrôle/commande défectueux.	5. Changez le tableau de commande ou l'interrupteur.
Les lumières fonctionnent mais le moteur ne tourne pas.	1. Le moteur est défectueux, possiblement bloqué.	1. Changez le moteur.
	2. Le système de protection thermique détecte que le moteur est trop chaud pour fonctionner et l'éteint.	2. Le moteur fonctionnera normalement lorsque le système de protection thermique aura refroidi.
	3. Le condensateur est endommagé	3. Changez le condensateur
	4. Le fil du moteur n'est pas branché	4. Assurez-vous que le fil du moteur est branché dans le connecteur Molex.
L'appareil vibre.	1. Le moteur n'est pas bien fixé à la structure	1. Fixez solidement le moteur en place.
	2. La roue du ventilateur est endommagée.	2. Changez le ventilateur.
	3. La hotte n'est pas bien fixée en place.	3. Vérifiez l'installation de la hotte.
Le moteur fonctionne mais pas les lumières.	1. L'ampoule est défectueuse.	1. Changez l'ampoule halogène.
	2. L'ampoule est desserrée.	2. Serrez l'ampoule.
	3. Les fils électriques du tableau de commande ne sont pas assez serrés.	3. Assurez-vous que les fils sont convenablement branchés au tableau de commande
La hotte ne fonctionne pas bien.	1. La hotte est possiblement installée trop haute par rapport à la cuisinière.	1. Assurez-vous que la distance entre la surface de la cuisinière et la base de la hotte est entre 24" et 32".
	2. Du vent provenant d'une fenêtre ou d'une porte ouverte avoisinante nuit à la ventilation	2. Fermez toutes les portes et fenêtres pour éliminer les courants d'air.
	3. L'ouverture du conduit ou le conduit lui-même est bloqué.	3. Enlevez tout ce qui bloque l'ouverture ou le conduit d'aération.
	4. La sortie du conduit est orienté vers le vent.	4. Changez l'orientation de la sortie du conduit.
	5. Mauvaises dimensions de conduit d'aération.	5. Utilisez un conduit de dimension adéquate.
Le filtre en métal vibre.	1. Le déflecteur est desserré.	1. Assurez-vous que la poignée à ressort fonctionne toujours.
	2. La poignée bouge difficilement	2. Remplacez le filtre métallique

SCHEMA DE CABLAGE

CSA
C US
182766
Model **AK1124,1100,1136**
Voltage **120V 60Hz**
Power consumption
Total: **152W**
Lamp: **Max.40Wx2**
Fan: **72W**
DATE:
THERMALLY PROTECTED

CIRCUIT DIAGRAM

REMARKS:CONDENSER 3µ F 250VAC FIT AC120V 60Hz

CSA
C US
182766
Model: **AK1224,1200,1236**
Voltage **120V 60Hz**
Power consumption
Total: **167W**
Lamp: **Max.40Wx2**
Fan: **87W**
DATE:
THERMALLY PROTECTED

CIRCUIT DIAGRAM

REMARKS:CONDENSER 4.5µ F 250VAC FIT AC120V 60Hz

DESCRIPTION

N° DE PIÈCE

Pièces de rechange :

Ampoule MR16 (GU10) 35W (chaque)	Z0B0023
Filtre en métal, hotte de 24" (chaque)	50200013
Filtre en métal, hotte de 30" et 36" (chaque)	50200012

Accessoires facultatifs :

Ensemble de reprise d'air	0AK11-21001
Filtre à charbon de rechange (chaque)	0AK11-21001

Pour commander des pièces, visitez-nous en ligne au <http://store.zephyronline.com> ou communiquez avec nous par téléphone au 1.888.880.8368

ZEPHYR

Garantie limitée

AGRAFEZ VOTRE REÇU ICI

Une preuve de la date d'achat originale est nécessaire pour obtenir du service lorsque le produit est sous garantie

POUR OBTENIR DU SERVICE SOUS GARANTIE OU POUR TOUTE QUESTION LIÉE À L'ENTRETIEN, veuillez communiquer avec nous au 1-888-880-8368

Zephyr Corporation (désigné aux présentes sous le nom de « nous ») garantit au premier acheteur (désigné aux présentes sous le nom de « vous » ou « votre ») de produits Zephyr (les « Produits ») que lesdits produits sont exempts de défauts de fabrication ou de main-d'œuvre selon les conditions suivantes :

Garantie de trois ans sur les pièces : Garantie de trois ans à partir de la date d'achat originale du Produit. Nous fournirons sans frais les Produits ou les pièces (y compris les ampoules LED, le cas échéant) de remplacement qui comportaient des défauts de fabrication. Nous pourrions choisir, à notre seule discrétion, de réparer ou de remplacer des pièces avant de prendre la décision de remplacer le Produit.

Garantie limitée d'un an sur la main-d'œuvre : Garantie d'un an à partir de la date d'achat originale du Produit. Nous couvrirons sans frais les frais de main-d'œuvre afférents à la réparation du Produit ou des pièces de remplacement qui comportaient des défauts de fabrication. Un an après la date d'achat originale, vous serez responsable de tous les frais de main-d'œuvre associés à la présente garantie.

Exclusions de la garantie : Cette garantie ne couvre que la réparation ou le remplacement, à notre gré, de pièces ou de Produits défectueux et ne couvre aucun autre coût afférent aux Produits, dont, sans s'y limiter, les frais liés : (a) à l'entretien normal des Produits et au remplacement des pièces consommables, comme les incandescence ou halogène-ampoules, les filtres métalliques, les filtres à charbon et les fusibles; (b) à tout Produit ou pièce ayant été endommagé durant le transport ou étant le résultat d'un mauvais usage, d'une négligence, d'un accident, d'une installation incorrecte ou ne respectant pas les notices d'installation recommandées, d'un entretien ou d'une réparation inapproprié (dont ne nous sommes pas responsables); (c) à une utilisation commerciale ou ne correspondant pas à l'utilisation pour laquelle les Produits sont conçus; (d) à l'usure naturelle du fini, à l'usure due à un entretien inadéquat, à l'utilisation de produits nettoyants corrosifs ou abrasifs, de tampons nettoyeurs et de produits de nettoyage pour le four; (e) aux éclats, entailles ou fissures résultant d'un abus ou d'une mauvaise utilisation du Produit; (f) aux déplacements d'un technicien de service à votre domicile pour vous montrer comment utiliser les Produits; (g) aux dommages causés par un accident, un incendie, une inondation ou un cas fortuit. Si vous vous trouvez à l'extérieur du territoire que nous desservons, des frais supplémentaires pourraient s'appliquer pour la livraison des produits à nos points de service désignés pour une réparation sous garantie ou vous pourriez avoir à déboursier les frais de déplacement du technicien à votre domicile pour que le Produit soit réparé, enlevé ou réinstallé. Un an après la date d'achat originale du Produit, vous êtes également responsable de tous les frais de main-d'œuvre associés à la présente garantie.

Restrictions de la garantie. NOTRE OBLIGATION DE RÉPARER OU DE REMPLACER, À NOTRE GRÉ, LE PRODUIT CONSTITUE VOTRE SEUL ET UNIQUE RECOURS SOUS LA PRÉSENTE GARANTIE. NOUS NE NOUS PORTONS PAS RESPONSABLES POUR TOUT DOMMAGE INDIRECT, ACCESSOIRE OU PARTICULIER RÉSULTANT OU AYANT UN LIEN AVEC L'UTILISATION OU LE RENDEMENT DES PRODUITS. LES GARANTIES EXPRESSES DE LA SECTION PRÉCÉDENTE SONT EXCLUSIVES ET TIENNENT LIEU DE TOUTE AUTRE GARANTIE EXPRESSE. PAR LES PRÉSENTES, NOUS REJETONS ET EXCLUONS TOUTE AUTRE GARANTIE EXPRESSE POUR LES PRODUITS ET TOUTES LES GARANTIES TACITES PRÉVUES PAR LA LOI, DONT CELLES RELATIVES À LA QUALITÉ MARCHANDE OU À L'ADÉQUATION DU PRODUIT POUR UNE UTILISATION PARTICULIÈRE. Certains États ou provinces n'autorisent pas les restrictions sur la durée d'une garantie implicite ou l'exclusion ou la restriction des dommages indirects ou accessoires; par conséquent, les exclusions et restrictions mentionnées ci-dessus pourraient ne pas s'appliquer à votre cas. Dans la mesure où une loi applicable interdit l'exclusion de garanties implicites, la durée de toute garantie implicite applicable se limite à la période de deux ans décrite ci-dessus. L'unique objectif de toute description orale ou écrite est de présenter les Produits et celle-ci ne devrait pas être interprétée comme une garantie expresse. Avant d'utiliser ou de permettre l'utilisation des Produits, vous devrez déterminer si les Produits conviennent aux utilisations prévues et vous devrez assumer tout risque et toute responsabilité relatifs à ces utilisations. Nous nous réservons le droit d'utiliser des pièces reconstruites ou remises à neuf pour remplacer l'une des fonctionnalités dans le cadre de la présente garantie ou de l'une des parties de la présente garantie. L'acheteur original ne peut transférer la présente garantie et celle-ci n'est valide qu'aux États-Unis et au Canada.

Pour obtenir du service sous la garantie : Pour avoir droit à du service sous garantie, vous devez : (a) nous avertir en utilisant l'adresse ou le numéro de téléphone inscrit ci-dessous dans les soixante jours suivant la détection du défaut; (b) donner le numéro du modèle, le numéro d'identification de la pièce ainsi que le numéro de série; et (c) décrire la nature de tout défaut de la pièce ou du Produit. Au moment de faire la demande de service sous garantie, vous devrez présenter votre preuve d'achat et la preuve de la date d'achat originale. Si nous déterminons que les exclusions de la garantie énumérées ci-dessus s'appliquent ou si vous vous trouvez dans l'incapacité de nous fournir la documentation nécessaire pour obtenir du service, vous serez responsable de tous les frais d'expédition, de déplacement, de main-d'œuvre ou de tout autre coût afférent au service.

Veuillez consulter notre site Web au www.zephyronline.com pour savoir si des révisions ont été apportées à la garantie.

Zephyr Corporation Service Department, 2277 Harbor Bay Parkway, Alameda, CA 94502 1-888-880-8368